

US00D962439S

(12) **United States Design Patent** (10) **Patent No.:** **US D962,439 S**  
**Nguyen et al.** (45) **Date of Patent:** **\*\* Aug. 30, 2022**

(54) **MOUTHPIECE**  
(71) Applicant: **Dryshield, LLC**, Fountain City, CA (US)  
(72) Inventors: **Thien Nguyen**, Santa Ana, CA (US); **Tam Thanh Pham**, San Francisco, CA (US)  
(73) Assignee: **SOLMETEX, LLC**, Northborough, MA (US)

1,731,322 A 10/1929 Riddle  
2,019,612 A 11/1935 Langhans et al.  
2,937,445 A 5/1960 Erickson  
3,090,122 A 5/1963 Erickson  
3,453,735 A 7/1969 Burt et al.  
(Continued)

**FOREIGN PATENT DOCUMENTS**

CA 2851861 2/2016  
CN 102026587 4/2011  
(Continued)

(\*\*) Term: **15 Years**  
(21) Appl. No.: **29/782,645**  
(22) Filed: **May 7, 2021**

**OTHER PUBLICATIONS**

“Dryshield Presentation (Learn all about Dryshield)” posted by Dryshield Isolation System. Youtube. Posting date: Oct. 27, 2014. Retrieval date: Sep. 15, 2021. Retrieved from internet: <https://www.youtube.com/watch?v=fcbpz3ixvis> (Year: 2014).\*

(Continued)

**Related U.S. Application Data**

(63) Continuation of application No. 14/228,046, filed on Mar. 27, 2014, which is a continuation of application No. 14/100,323, filed on Dec. 9, 2013, now Pat. No. 8,911,232.

*Primary Examiner* — Mary Shannon Malley  
*Assistant Examiner* — Lee D. Starr  
(74) *Attorney, Agent, or Firm* — Polsinelli PC

(51) **LOC (13) Cl.** ..... **24-01**  
(52) **U.S. Cl.**  
USPC ..... **D24/152**

(57) **CLAIM**

The ornamental design for a mouthpiece, as shown and described.

(58) **Field of Classification Search**  
USPC .... D24/108, 110.5, 111–113, 127, 129, 152, D24/176

**DESCRIPTION**

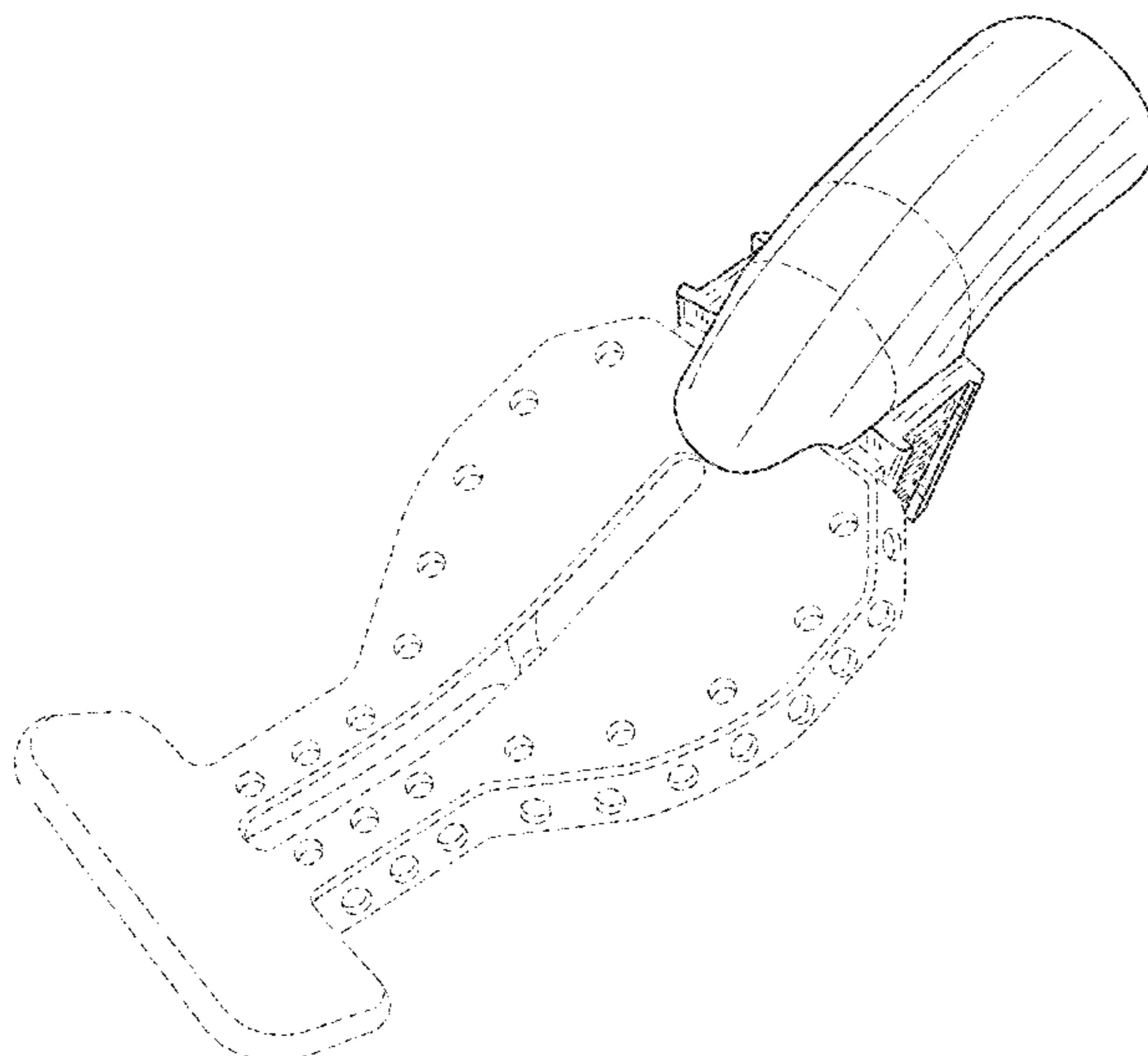
CPC . A61C 17/02; A61C 17/0202; A61C 17/0205; A61C 17/0208; A61C 17/0211; A61C 17/06; A61C 17/065; A61C 17/08; A61C 17/092; A61C 17/096; A61C 17/10; A61C 17/12; A61M 1/0023; A61M 1/0058  
See application file for complete search history.

FIG. 1 is a perspective view of a mouthpiece showing our new design.  
FIG. 2 is a top view thereof.  
FIG. 3 is a bottom view thereof; and,  
FIG. 4 is a left side view thereof, with the right side view being a mirror image thereof.  
The broken lines shown in the Figures show portions of the mouthpiece that form no part of the claimed design. The dash-dot broken lines represent the boundary of the claimed design and form no part thereof.

(56) **References Cited**  
U.S. PATENT DOCUMENTS

50,461 A 10/1865 Dibble  
1,471,207 A 10/1923 Napoleon

**1 Claim, 4 Drawing Sheets**



(56)

References Cited

U.S. PATENT DOCUMENTS

3,516,160 A \* 6/1970 Leffler ..... A61C 17/08  
433/95

3,758,950 A 9/1973 Krouzian  
3,768,477 A 10/1973 Anders et al.  
3,802,081 A 4/1974 Rogers  
3,857,181 A 12/1974 Rappaport  
3,877,691 A 4/1975 Foster  
3,924,333 A 12/1975 Erickson  
4,017,975 A 4/1977 Johnson  
4,024,642 A 5/1977 Zorovich  
4,083,115 A 4/1978 McKelvey  
4,167,814 A 9/1979 Schubert  
4,192,071 A 3/1980 Erickson  
4,511,329 A 4/1985 Diamond  
4,718,662 A 1/1988 North  
4,802,851 A 2/1989 Rhoades  
4,822,278 A 4/1989 Oliva et al.  
5,009,595 A 4/1991 Osborn  
5,037,298 A 8/1991 Hickham  
5,078,602 A 1/1992 Honoshofsky  
5,460,524 A 10/1995 Anderson  
D364,456 S \* 11/1995 Solnit ..... D24/112

5,516,286 A 5/1996 Kushner  
5,588,836 A 12/1996 Landis et al.  
5,720,275 A 2/1998 Patil et al.  
5,762,496 A 6/1998 Albertsson et al.  
5,890,899 A 4/1999 Sclafani  
6,022,214 A 2/2000 Hirsch et al.  
6,213,772 B1 4/2001 Costello  
6,241,521 B1 6/2001 Garrison  
6,267,591 B1 7/2001 Barstow  
6,338,627 B2 1/2002 Hirsch et al.  
6,575,746 B2 6/2003 Hirsch et al.  
6,672,305 B2 1/2004 Parker  
D495,799 S 9/2004 Hirsch et al.  
D497,426 S 10/2004 Hirsch et al.  
6,908,308 B2 6/2005 Hirsch et al.  
6,974,321 B2 12/2005 Hirsch et al.  
7,287,981 B2 10/2007 Hirsch  
7,293,990 B2 11/2007 Hirsch et al.  
7,611,354 B2 11/2009 Hirsch et al.  
D615,203 S 5/2010 Hirsch et al.  
7,748,981 B2 7/2010 Hirsch et al.  
8,029,280 B2 10/2011 Black et al.  
8,057,227 B2 11/2011 Hirsch et al.  
8,057,228 B2 11/2011 Hirsch et al.  
8,075,310 B2 12/2011 Hirsch et al.  
D663,831 S 7/2012 Sidhu et al.  
D666,726 S 9/2012 Davis et al.  
8,297,973 B2 10/2012 Hirsch et al.  
8,529,256 B2 9/2013 Hirsch et al.  
8,535,056 B2 9/2013 Dragan et al.  
D696,779 S 12/2013 Hirsch et al.  
8,911,232 B2 12/2014 Nguyen  
D734,851 S 7/2015 Nguyen  
9,084,656 B2 7/2015 Hirsch  
9,089,389 B2 7/2015 Hirsch et al.  
D735,858 S 8/2015 Hirsch et al.  
D737,964 S 9/2015 Jessop et al.  
9,358,086 B2 6/2016 Hirsch  
D782,047 S 3/2017 Ritter  
D782,048 S 3/2017 Ritter  
D787,069 S 5/2017 Ritter  
D787,070 S 5/2017 Ritter  
9,788,924 B2 10/2017 Nguyen  
D809,660 S 2/2018 Nguyen  
9,968,341 B2 5/2018 Ritter  
10,390,734 B2 8/2019 Johnson et al.  
10,390,916 B1 8/2019 Rassibi  
D868,958 S 12/2019 Reyes  
D876,627 S 2/2020 Nguyen  
2001/0008752 A1 7/2001 Hirsch et al.  
2003/0134253 A1 7/2003 Hirsch et al.  
2004/0033468 A1 \* 2/2004 Fischer ..... A61C 5/90  
433/140

2006/0063126 A1 3/2006 Aloise et al.  
2006/0063129 A1 3/2006 Hirsch  
2006/0084031 A1 4/2006 Hirsch et al.  
2008/0166684 A1 7/2008 Kanas  
2008/0318183 A1 12/2008 Suzman  
2009/0123886 A1 5/2009 Vaska  
2009/0274991 A1 11/2009 Black et al.  
2011/0207076 A1 8/2011 Hirsch et al.  
2011/0311942 A1 12/2011 Black et al.  
2012/0015317 A1 1/2012 Milo  
2012/0015320 A1 1/2012 Koo  
2012/0237894 A1 9/2012 Maycher et al.  
2013/0095450 A1 4/2013 Ames  
2013/0252193 A1 9/2013 Bowman et al.  
2014/0004478 A1 1/2014 Hirsch et al.  
2014/0162209 A1 6/2014 Nguyen  
2014/0212837 A1 7/2014 Nguyen  
2014/0212838 A1 7/2014 Nguyen  
2014/0212839 A1 7/2014 Nguyen  
2014/0212840 A1 7/2014 Nguyen  
2014/0212841 A1 7/2014 Nguyen  
2014/0349249 A1 \* 11/2014 Reyes ..... A61C 17/08  
433/96

2015/0305842 A1 10/2015 Hirsch et al.  
2015/0335409 A1 11/2015 Hirsch  
2017/0156831 A1 6/2017 Reyes  
2017/0156832 A1 6/2017 Reyes  
2017/0156833 A1 6/2017 Reyes  
2020/0155284 A1 5/2020 Baker  
2020/0352680 A1 11/2020 Nguyen

FOREIGN PATENT DOCUMENTS

CN 102247140 11/2011  
CN 105578986 A 5/2016  
EP 2903557 8/2015  
EP 3184076 6/2017  
FR 2992161 A1 12/2013  
GB 2 170 106 7/1986  
KR 100654392 B1 12/2006  
WO WO 1999/037238 7/1999  
WO 0042939 A1 7/2000  
WO 0061031 A1 10/2000  
WO WO 2011/014952 2/2011  
WO WO 2015/088577 6/2015  
WO 2018126150 A1 7/2018  
WO WO 2020/231864 11/2020

OTHER PUBLICATIONS

“Dryshield Tutorial—Maximize Your Dryshield Experience” posted by Dryshield Isolation System. Youtube. Posting date: Apr. 15, 2015. Retrieval date: Sep. 15, 2021. Retrieved from internet: <https://www.youtube.com/watch?v=L2OSYPS8Rc4> (Year: 2015).\*

Dryshield brochure. Dryshield.com. Publish date: May 2019. Retrieval date: Sep. 15, 2021. Retrieved from internet: [https://dryshield.com/ds/Brochure\\_May2019.pdf](https://dryshield.com/ds/Brochure_May2019.pdf) (Year: 2019).\*

“Dryshield (single-use) vs Zryis/Isolite (single-use) mouthpieces” posted by Mark Frias, RDH. Youtube. Posting date: Jan. 18, 2020. Retrieval date: Sep. 15, 2021. Retrieved from internet: <https://www.youtube.com/watch?v=uKX9XahO6EY> (Year: 2020).\*

PCT Application No. PCT/US2014/032892 International Preliminary Report on Patentability dated Jun. 14, 2016.

PCT Application No. PCT/US2014/032892 International Search Report and Written Opinion dated Sep. 4, 2014.

PCT Application No. PCT/US2020/032228 International Search Report and Written Opinion dated Aug. 12, 2020.

Australian Patent Application No. 2014202637; AU Examination Report dated Jan. 23, 2015.

Brazilian Patent Application No. BR1120140116377 Preliminary Office Action dated Jan. 7, 2020.

Canadian Patent Application No. 2,919,142; CA Examination Report dated May 31, 2016.

Chinese Patent Application No. 201480039991.2 First Office Action dated Dec. 29, 2016.



(56)

**References Cited**

OTHER PUBLICATIONS

European Patent Application No. 14721736.8; Extended European Search Report dated Oct. 20, 2015.

European Patent Application No. 17150671.0; Extended European Search Report dated May 29, 2017.

U.S. Appl. No. 29/780,960, Thien Nguyen, Mouthpiece Mouth Prop, filed Apr. 27, 2021.

U.S. Appl. No. 29/782,638, Thien Nguyen, Mouthpiece, filed May 7, 2021.

U.S. Appl. No. 29/782,644, Thien Nguyen, Mouthpiece, filed May 7, 2021.

U.S. Appl. No. 29/782,643, Thien Nguyen, Mouthpiece, filed May 7, 2021.

U.S. Appl. No. 14/228,054; Final Office Action dated Jan. 3, 2022.

U.S. Appl. No. 14/228,061; Non-Final Office Action dated Dec. 8, 2021.

U.S. Appl. No. 16/870,745 Non-Final Office Action dated Dec. 3, 2021.

U.S. Appl. No. 14/228,054; Office Action dated Jun. 25, 2021.

U.S. Appl. No. 14/228,046; Non-Final Office Action dated Oct. 6, 2021.

U.S. Appl. No. 14/228,057; Final Office Action dated Nov. 12, 2021.

U.S. Appl. No. 29/782,638; Non-Final Office Action dated Oct. 4, 2021.

U.S. Appl. No. 29/782,644; Non-Final Office Action dated Oct. 4, 2021.

U.S. Appl. No. 29/782,643; Non-Final Office Action dated Oct. 4, 2021.

\* cited by examiner

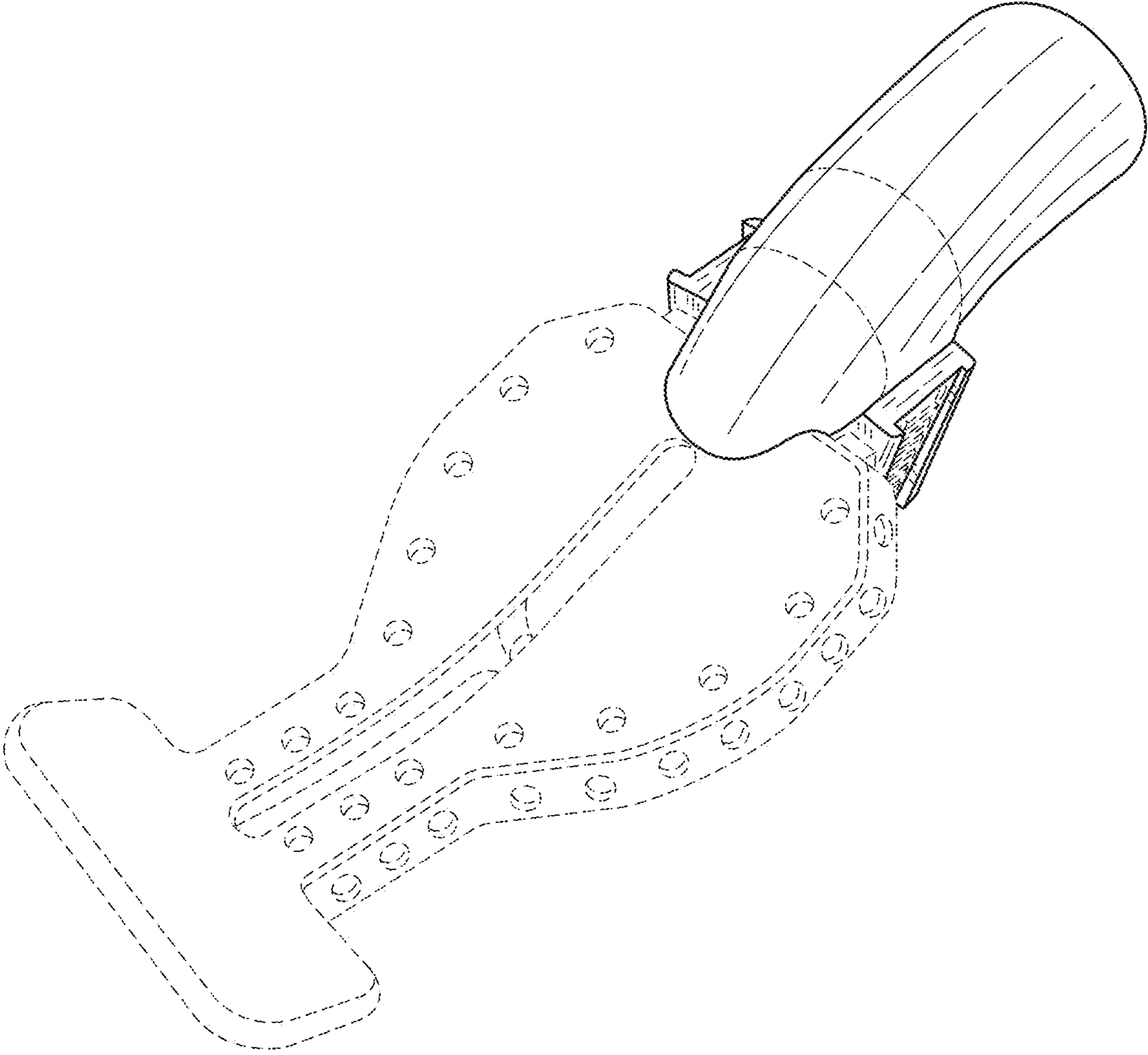


FIG.1



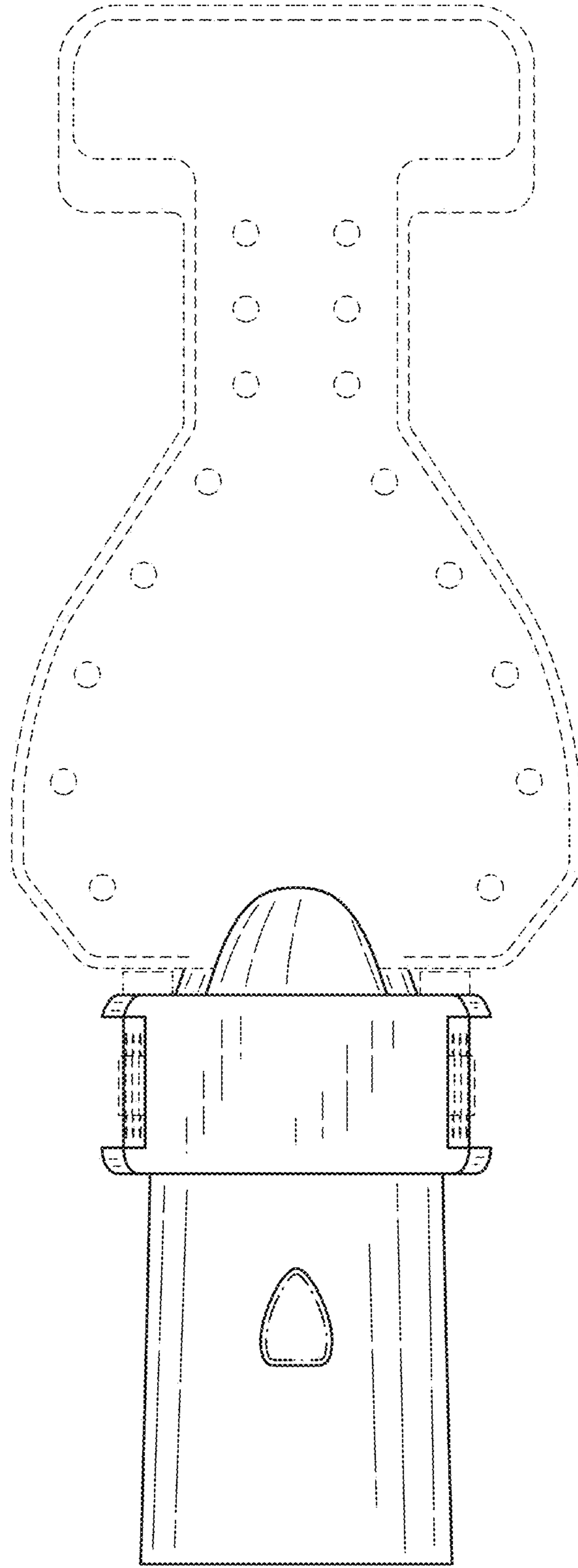


FIG.3

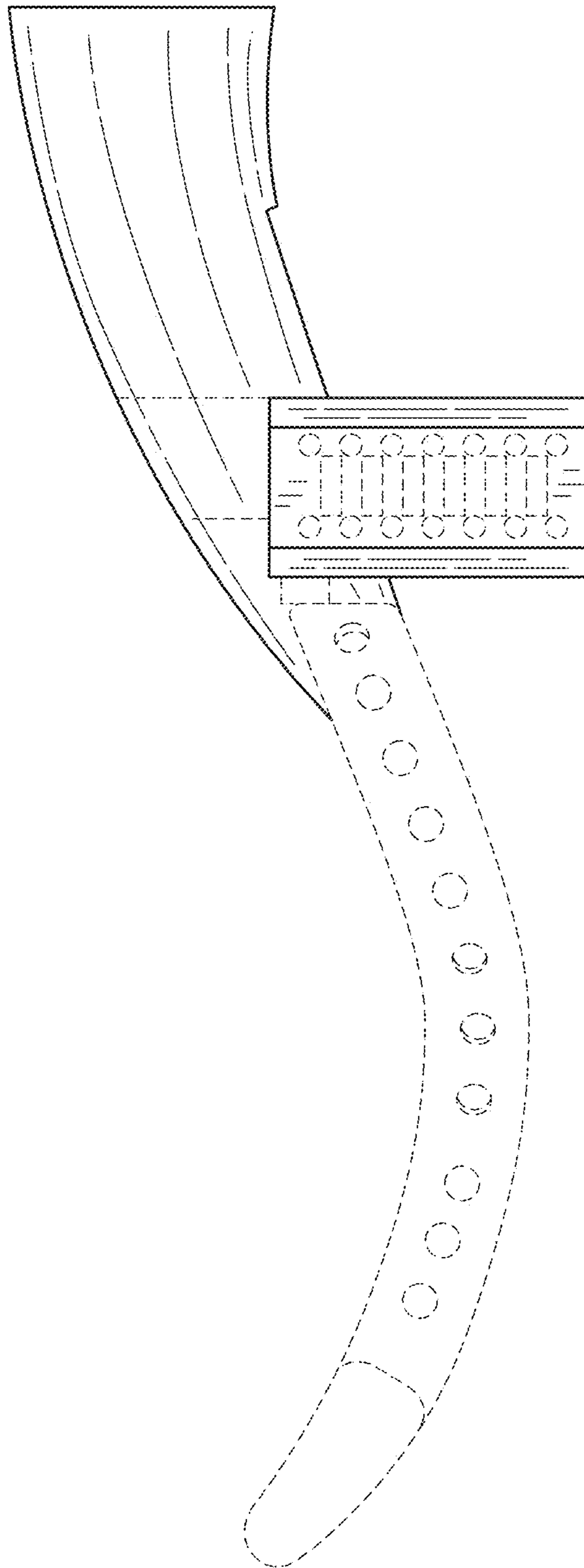


FIG.4