

US00D962434S

(12) **United States Design Patent**
Reddick

(10) **Patent No.:** **US D962,434 S**

(45) **Date of Patent:** **** Aug. 30, 2022**

(54) **EXTERNAL FIXATION ALIGNMENT GAUGE**

(71) Applicant: **J&A Medical LLC**, Norman, OK (US)

(72) Inventor: **Joseph D. Reddick**, Norman, OK (US)

(73) Assignee: **J&A Medical LLC**, Norman, OK (US)

(**) Term: **15 Years**

(21) Appl. No.: **29/739,778**

(22) Filed: **Jun. 29, 2020**

Related U.S. Application Data

(63) Continuation of application No. 29/640,412, filed on Mar. 14, 2018, now Pat. No. Des. 888,947.

(51) **LOC (13) Cl.** **24-02**

(52) **U.S. Cl.**
USPC **D24/140**

(58) **Field of Classification Search**
USPC D24/140, 133; D10/64, 65, 70
CPC A61B 17/66; A61B 2090/3966;
G01B 3/004; G01B 3/04
See application file for complete search history.

(56) **References Cited**

U.S. PATENT DOCUMENTS

941,687	A	11/1909	Page	
D282,277	S *	1/1986	Kenna	D24/140
5,049,150	A *	9/1991	Cozad	A61B 17/8866 606/80
D322,851	S *	12/1991	Pilling	D24/140
D364,542	S *	11/1995	Pollard	D8/14
6,298,626	B2	10/2001	Franck et al.	
D579,562	S *	10/2008	Anderson	D24/133
D598,096	S *	8/2009	Petersen	D24/133
D600,346	S *	9/2009	Petersen	D24/140
D643,921	S *	8/2011	Davila	D24/133
D646,386	S *	10/2011	Miller	D24/133
D667,952	S *	9/2012	Zona	D24/140

D745,169	S *	12/2015	Sztuk	D24/172
D750,776	S *	3/2016	Lytle	D24/140
D799,696	S *	10/2017	Sahhar	D24/140
D888,947	S *	6/2020	Reddick	D24/140
D900,586	S *	11/2020	Pille	D8/315
2004/0249375	A1	12/2004	Agee et al.	
2007/0084071	A1	4/2007	Charpentier	

(Continued)

OTHER PUBLICATIONS

International Search Report and Written Opinion (PCT/US2018/048557); dated Dec. 31, 2018; 10 pgs.

(Continued)

Primary Examiner — Bridget L Eland

(74) *Attorney, Agent, or Firm* — Dunlap Codding, P.C.

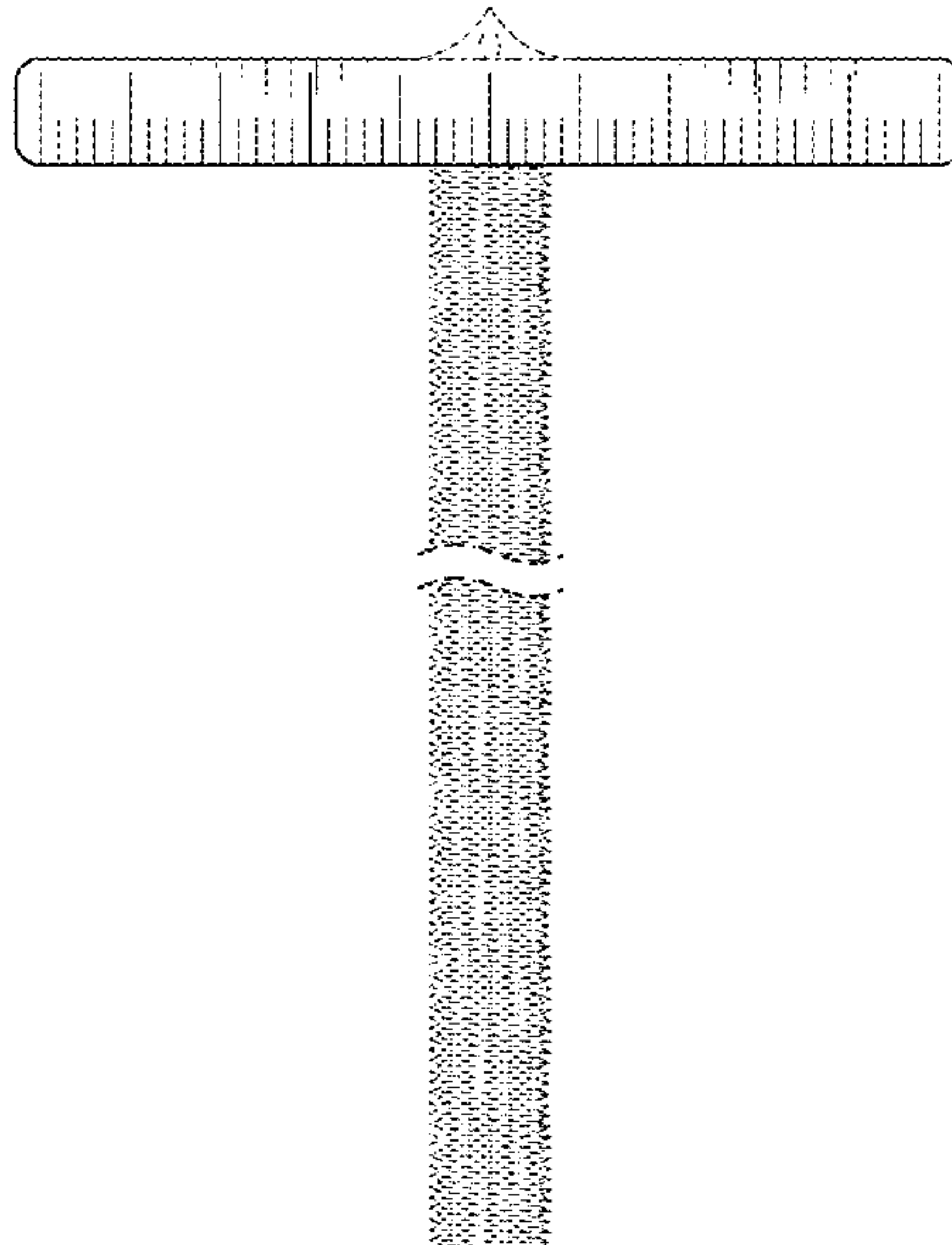
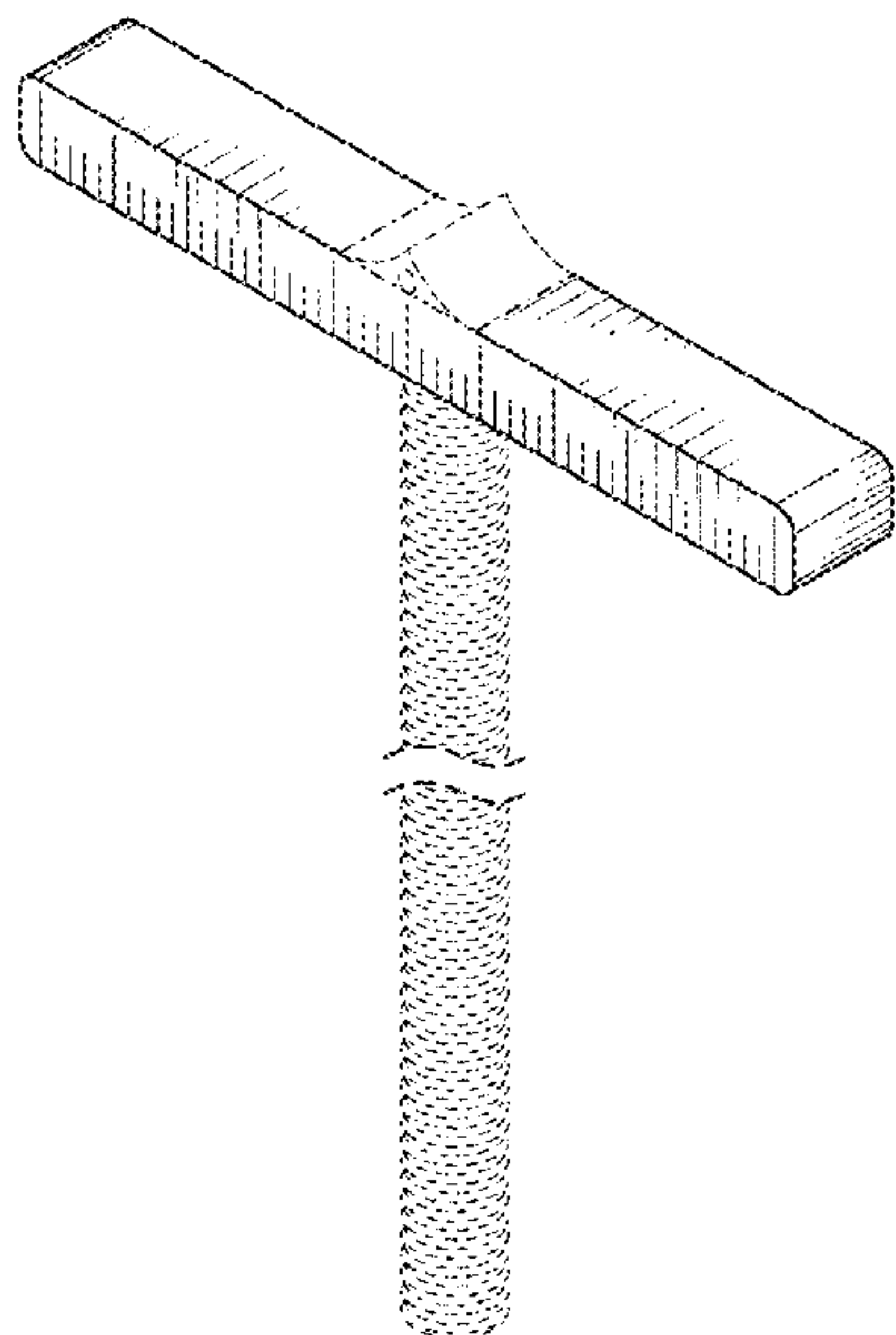
(57) **CLAIM**

The ornamental design for an external fixation alignment gauge, as shown and described.

DESCRIPTION

FIG. 1 is a perspective view of an external fixation alignment gauge showing my new design. FIG. 2 is a front view thereof. FIG. 3 is a rear view thereof. FIG. 4 is a left side elevational view thereof. FIG. 5 is a right side elevational view thereof. FIG. 6 is a top plan view thereof; and, FIG. 7 is a bottom plan view thereof. The dot-dash broken lines represent the bounds of the claimed design while the evenly spaced broken lines are directed to environment and are for illustrative purposes only; the broken lines form no part of the claimed design. The broken break lines in the drawings indicate that the appearance of any portion of the article between the broken break lines forms no part of the claimed design.

1 Claim, 2 Drawing Sheets



(56)

References Cited

U.S. PATENT DOCUMENTS

2010/0268228 A1* 10/2010 Petersen A61B 17/1671
606/60
2011/0208187 A1 8/2011 Wong
2014/0031822 A1 1/2014 Venturini et al.
2014/0288486 A1* 9/2014 Hart A61B 10/04
604/26
2016/0042571 A1 2/2016 Mikheev et al.
2020/0352604 A1* 11/2020 Reddick G01B 3/004
2021/0219993 A1* 7/2021 Matusaitis A61B 5/4504

OTHER PUBLICATIONS

U.S. Appl. No. 29/640,412, Reddick, Joseph D., Office Action dated Oct. 18, 2019.
U.S. Appl. No. 29/640,412, Reddick, Joseph D., Response to Office Action dated Oct. 18, 2019.
U.S. Appl. No. 29/640,412, Reddick, Joseph D., Notice of Allowance, dated Feb. 28, 2020.

* cited by examiner

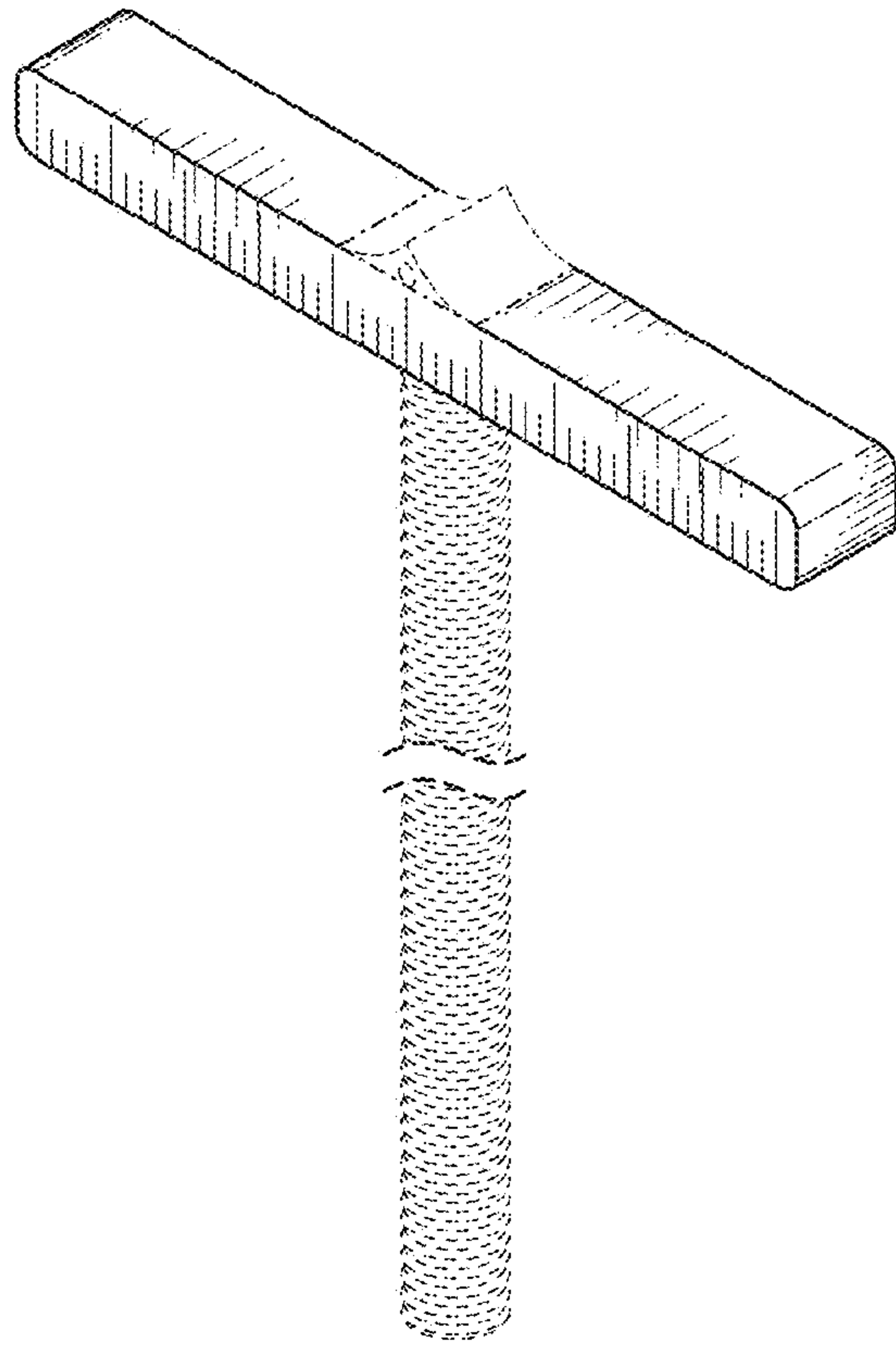


FIG. 1

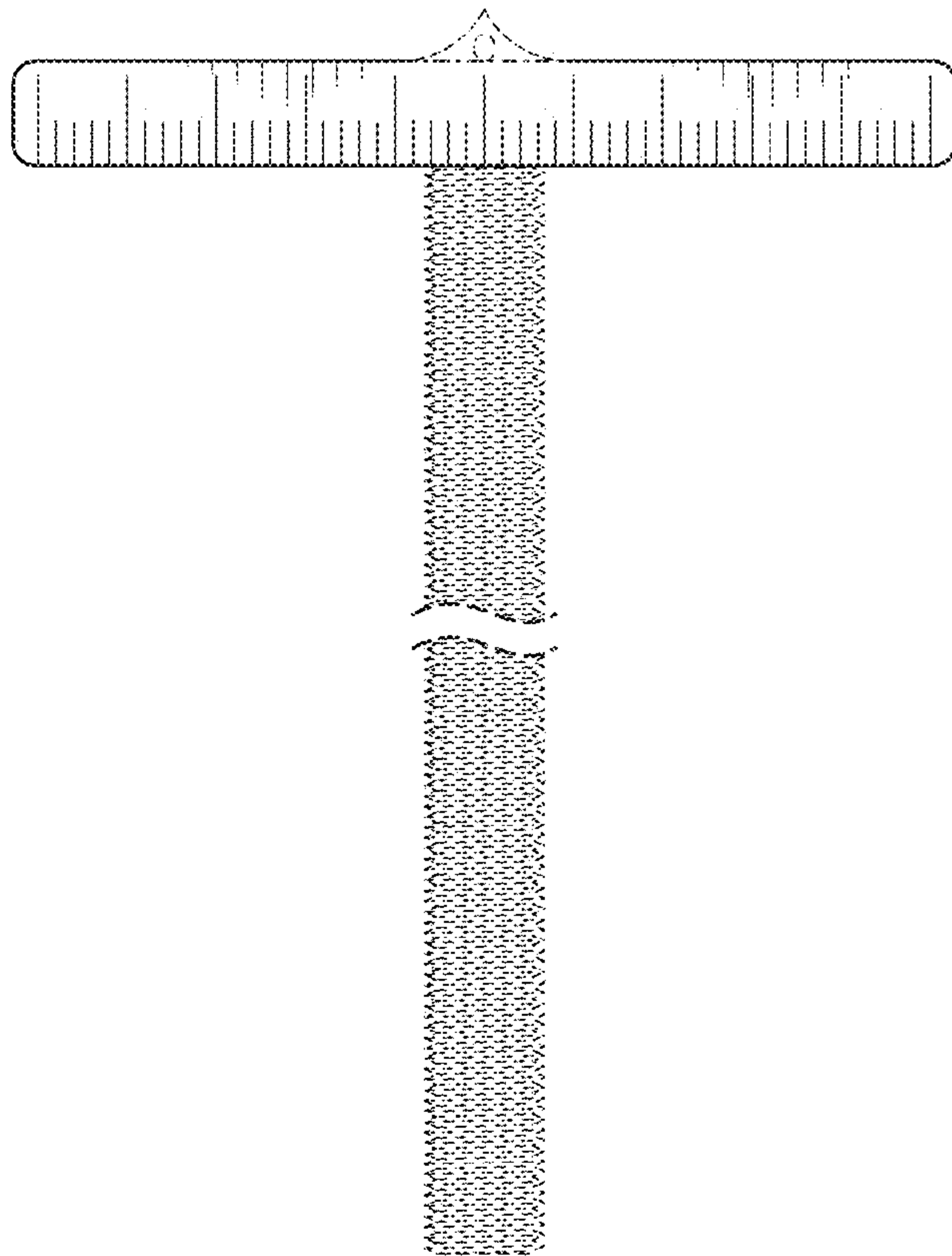


FIG. 2

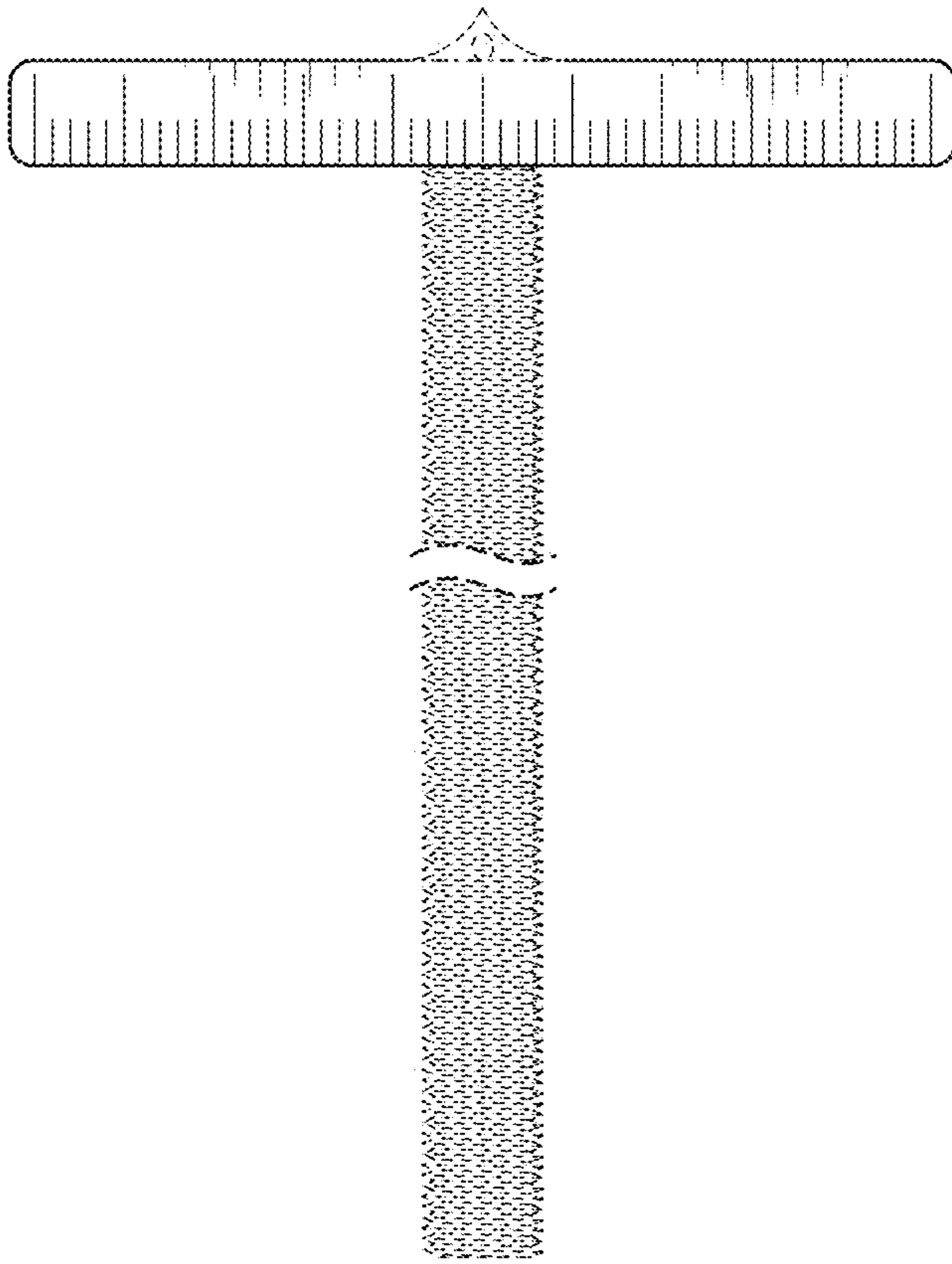


FIG. 3



FIG. 4



FIG. 5

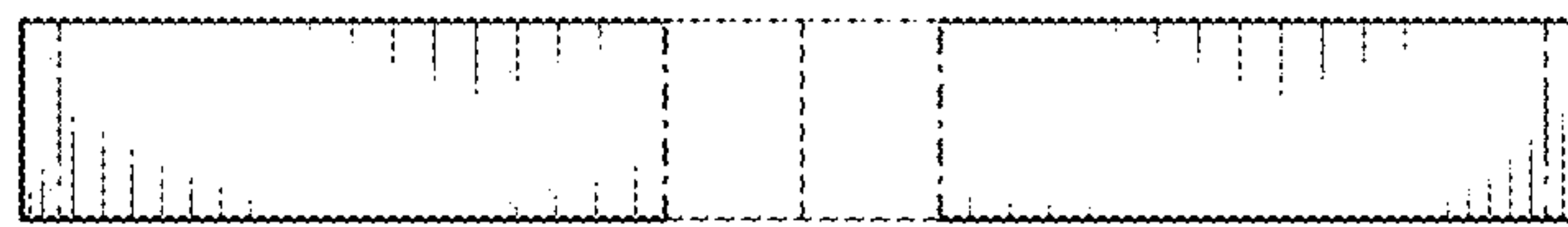


FIG. 6



FIG. 7