

US00D962431S

(12) **United States Design Patent**
Wittke et al.

(10) **Patent No.:** **US D962,431 S**

(45) **Date of Patent:** **** Aug. 30, 2022**

- (54) **CLEANING ADAPTER**
- (71) Applicant: **Karl Storz SE & Co. KG**, Tuttlingen (DE)
- (72) Inventors: **Uwe Wittke**, Tuttlingen (DE); **Philip Lips**, Tuttlingen (DE)
- (73) Assignee: **KARL STORZ SE & CO. KG**, Tuttlingen (DE)
- (**) Term: **15 Years**
- (21) Appl. No.: **29/701,232**
- (22) Filed: **Aug. 9, 2019**
- (30) **Foreign Application Priority Data**

Feb. 12, 2019 (EM) 006228508-0002

- (51) **LOC (13) Cl.** **24-02**
- (52) **U.S. Cl.**
USPC **D24/138**

- (58) **Field of Classification Search**
USPC D24/108, 113, 127, 138, 137, 133, 147, D24/144
CPC G02B 6/0006; G02B 6/4436; A61B 1/07; A61B 1/00137
See application file for complete search history.

(56) **References Cited**

U.S. PATENT DOCUMENTS

- 3,198,483 A * 8/1965 Anderson F16K 3/0227
251/327
- 4,241,761 A * 12/1980 Miller F16K 41/103
137/884

- D621,928 S 8/2010 Tobien
- D655,060 S 2/2012 Hermle
- D808,514 S * 1/2018 Valenzuela Arteaga D24/108
- D947,376 S * 3/2022 Lagow D24/138
- D952,142 S * 5/2022 Hernandez D24/138

* cited by examiner

Primary Examiner — Eliza Z Harvey

(74) *Attorney, Agent, or Firm* — Eversheds Sutherland (US) LLP

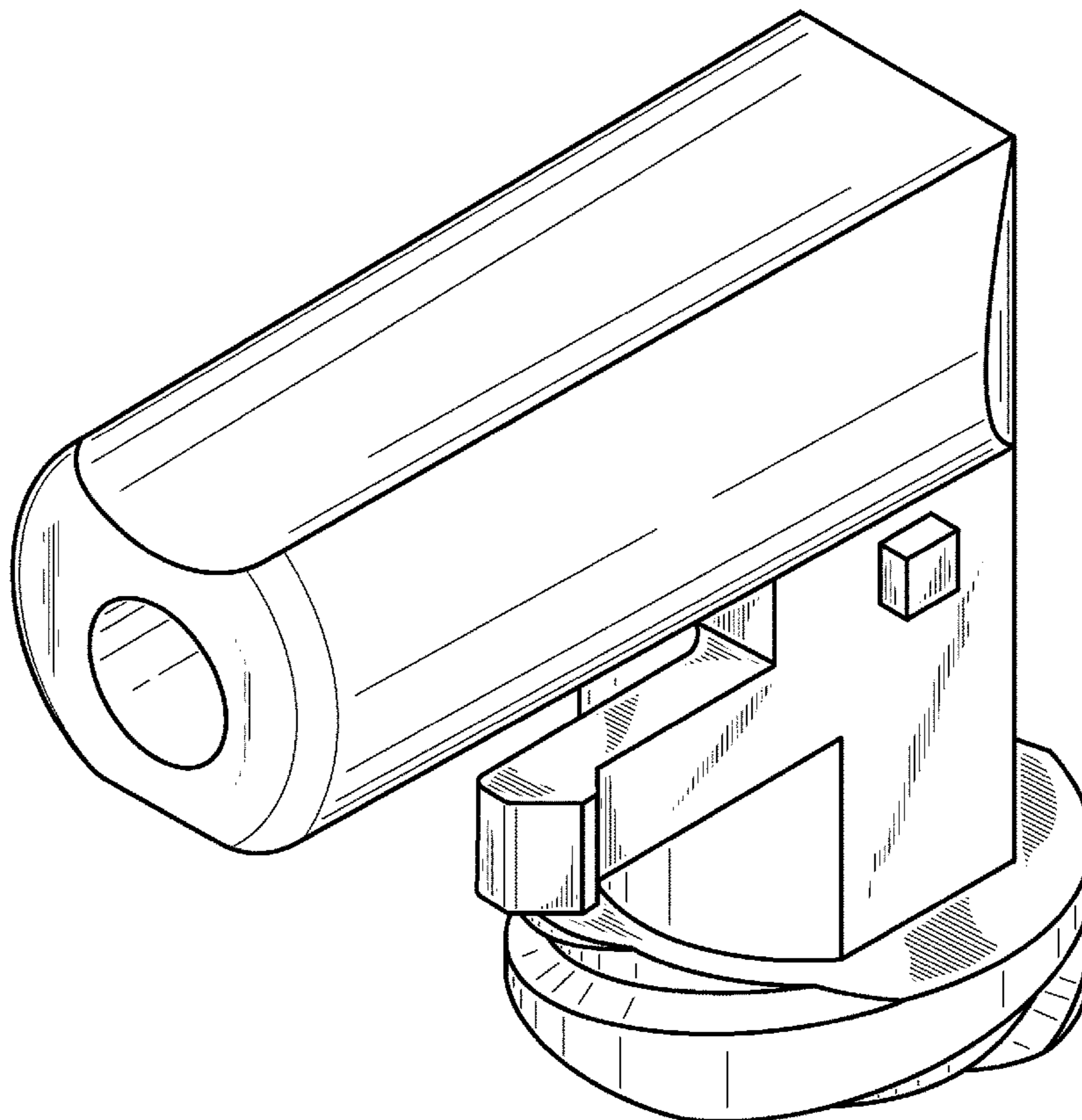
(57) **CLAIM**

The ornamental design for a cleaning adapter, as shown and described.

DESCRIPTION

FIG. 1 is a perspective view of a cleaning adapter showing our new design;
FIG. 2 is a front view thereof;
FIG. 3 is a rear view thereof;
FIG. 4 is a left side view thereof;
FIG. 5 is a right view thereof;
FIG. 6 is a top view thereof; and,
FIG. 7 is a bottom view thereof.

1 Claim, 7 Drawing Sheets



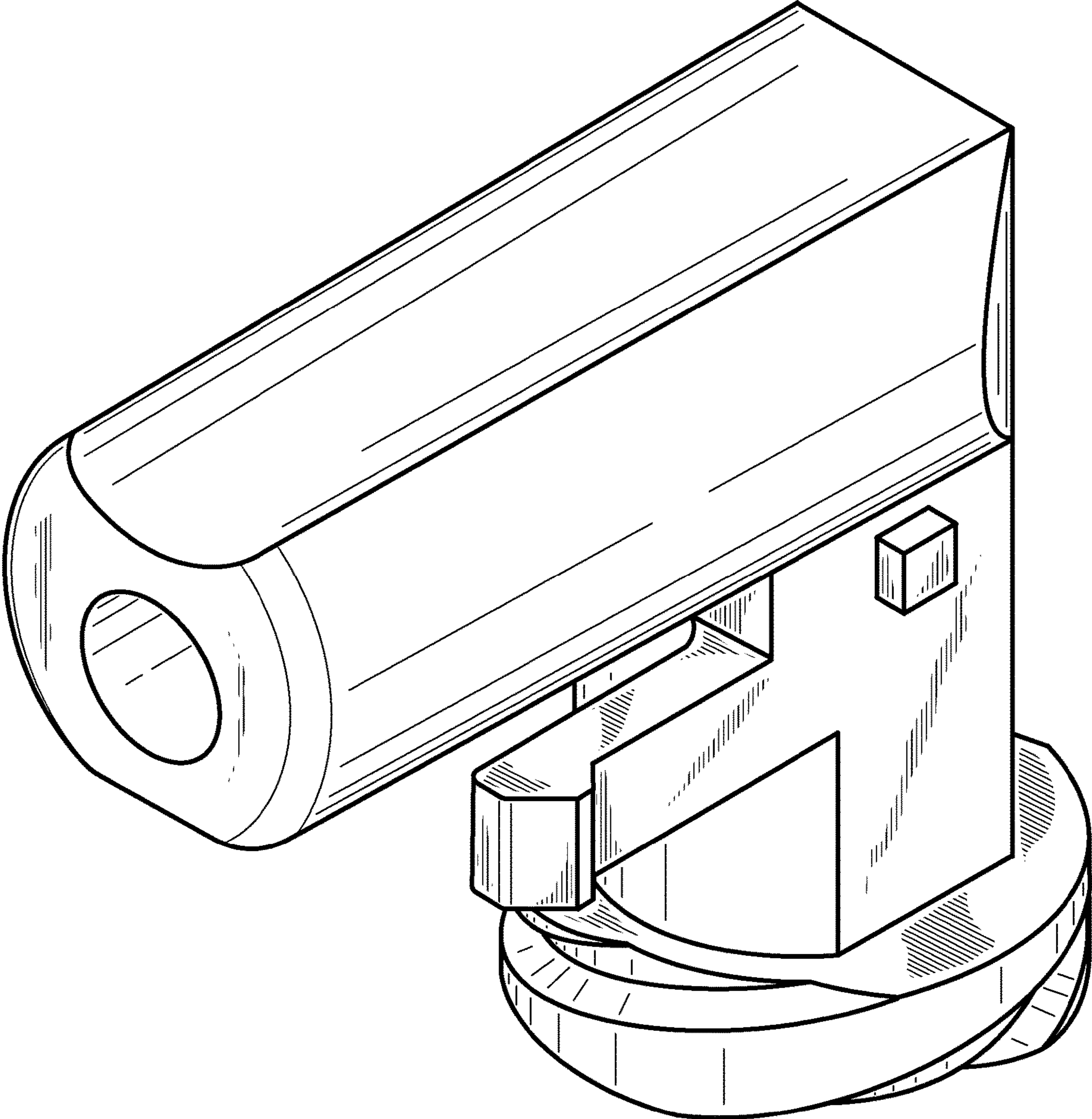


FIG. 1

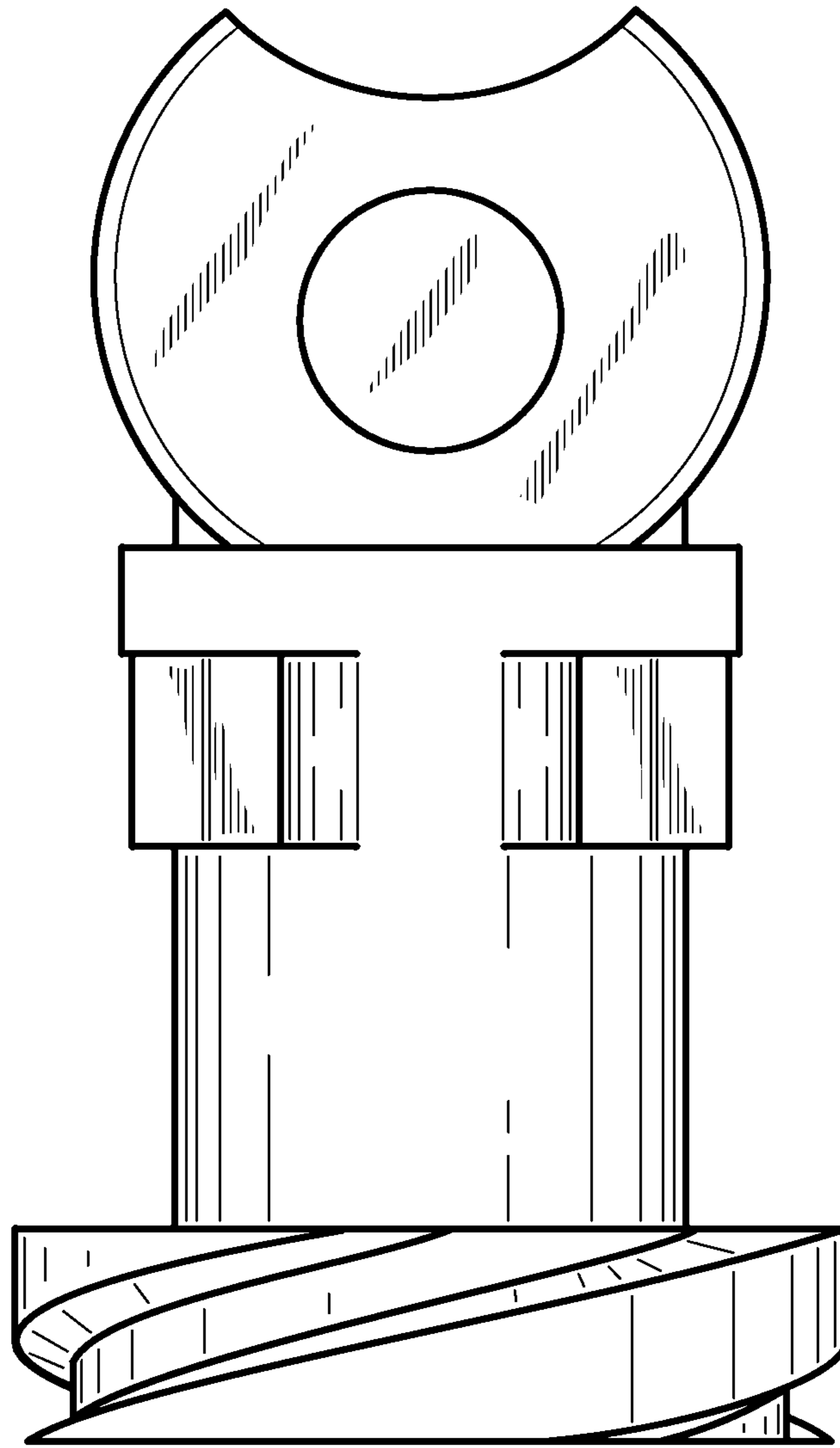


FIG. 2

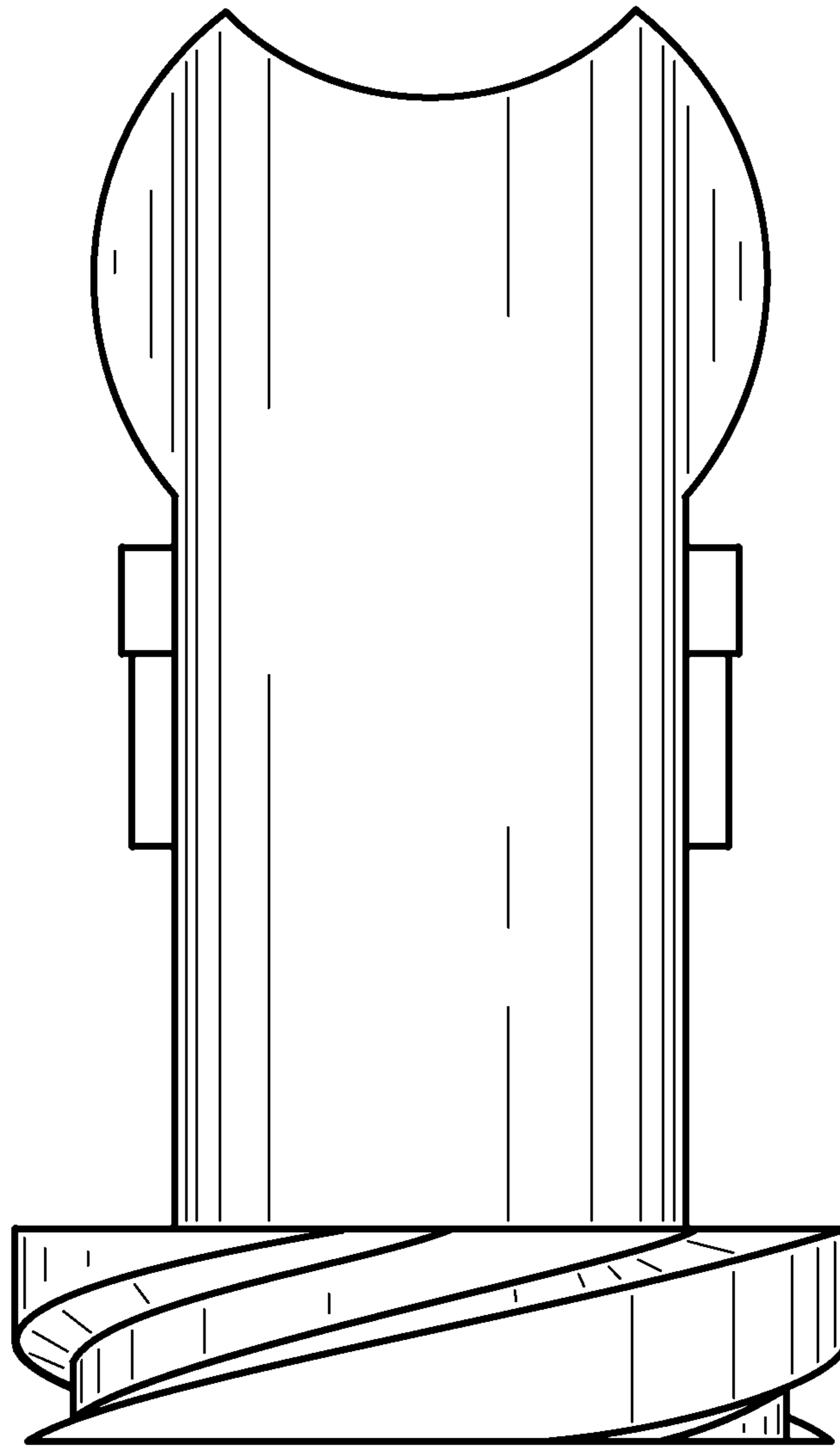


FIG. 3

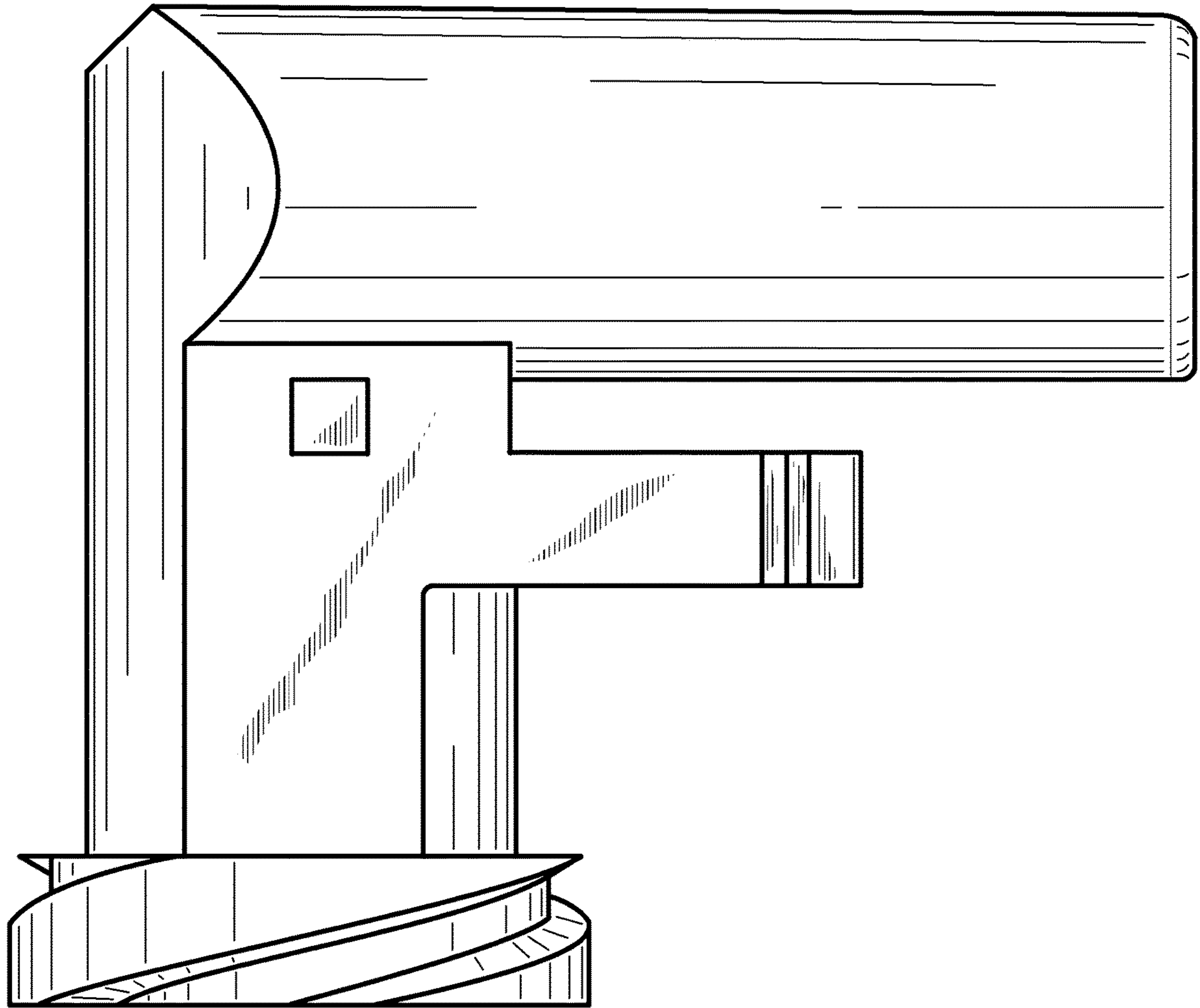


FIG. 4

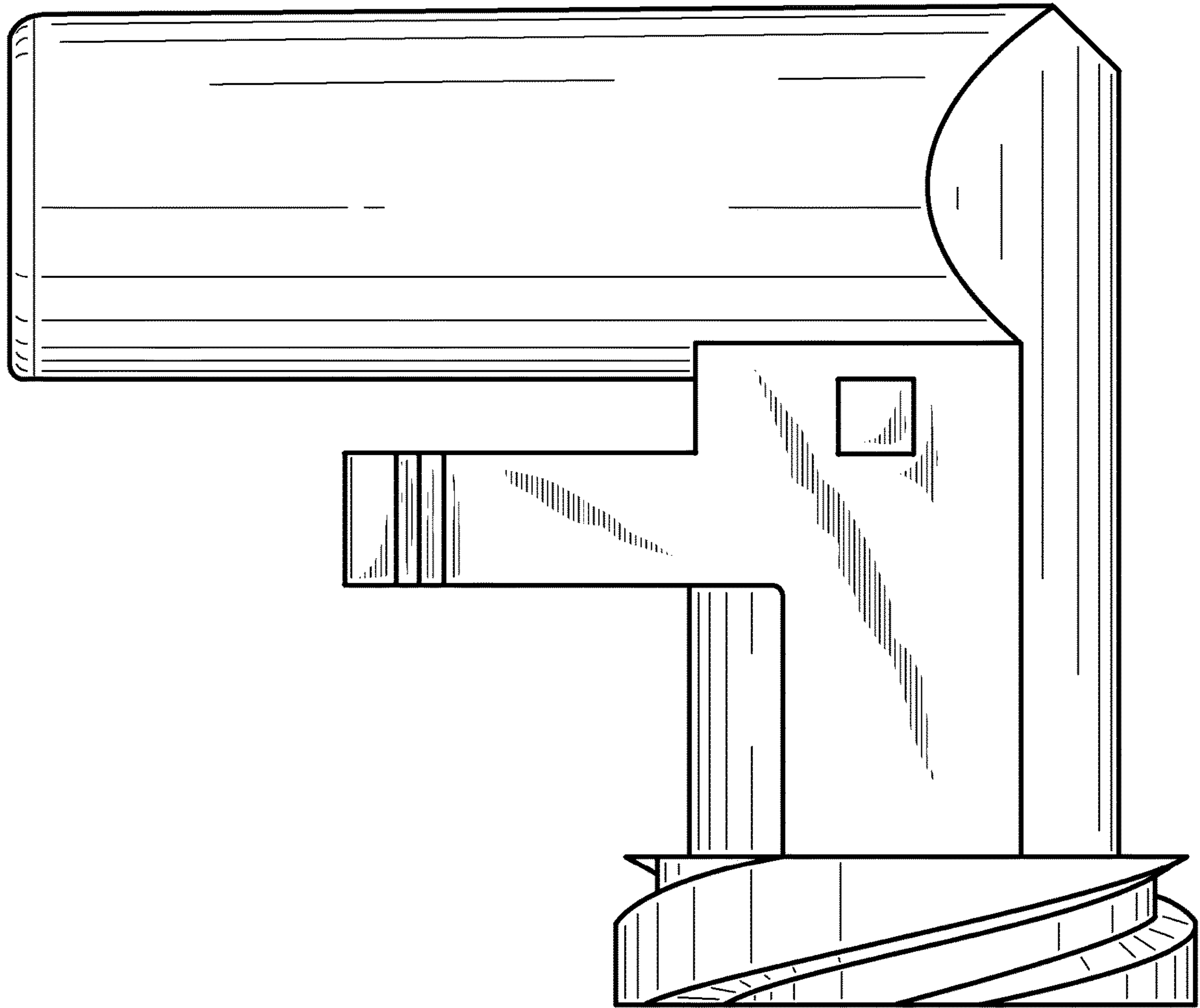


FIG. 5

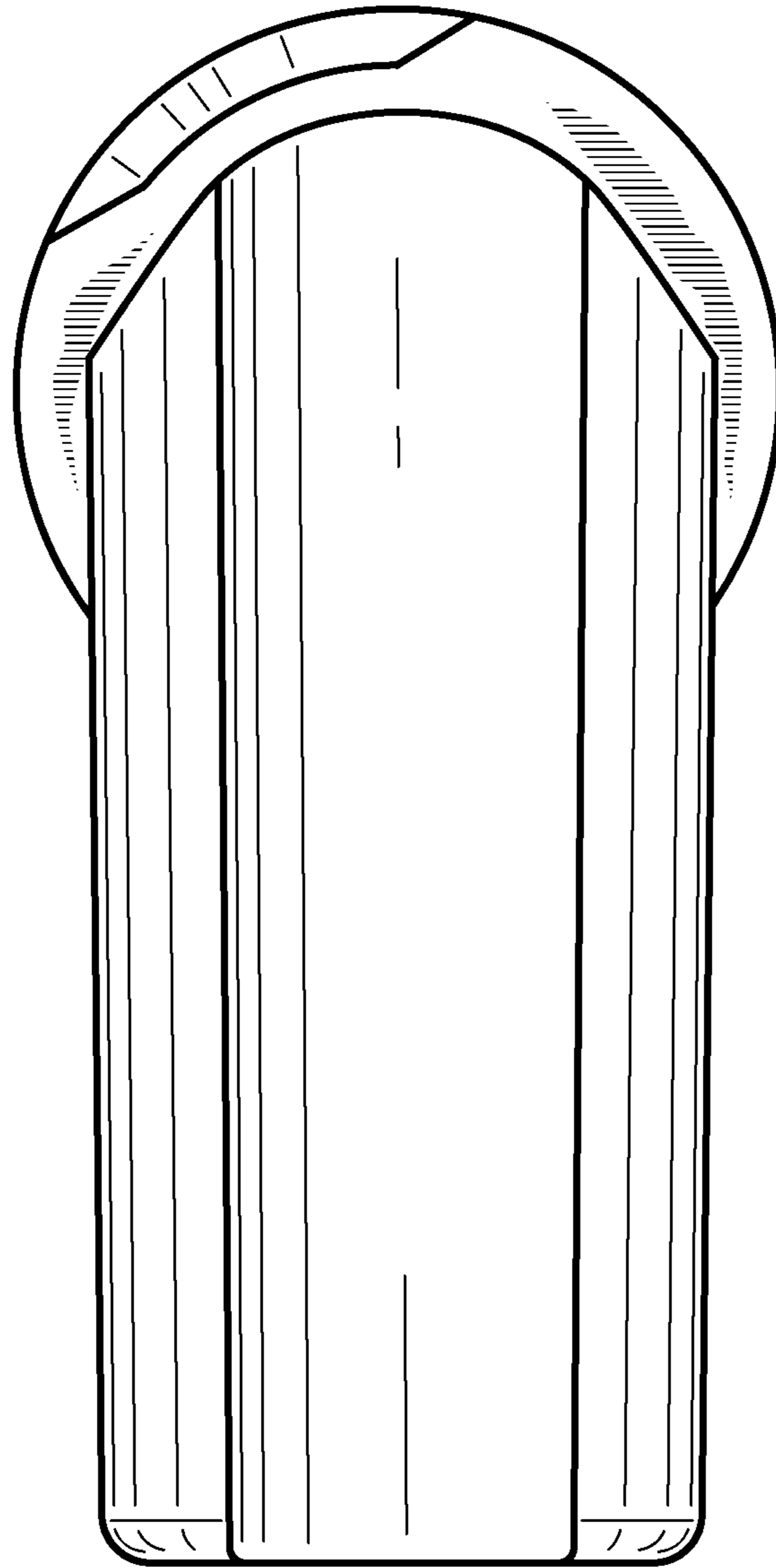


FIG. 6

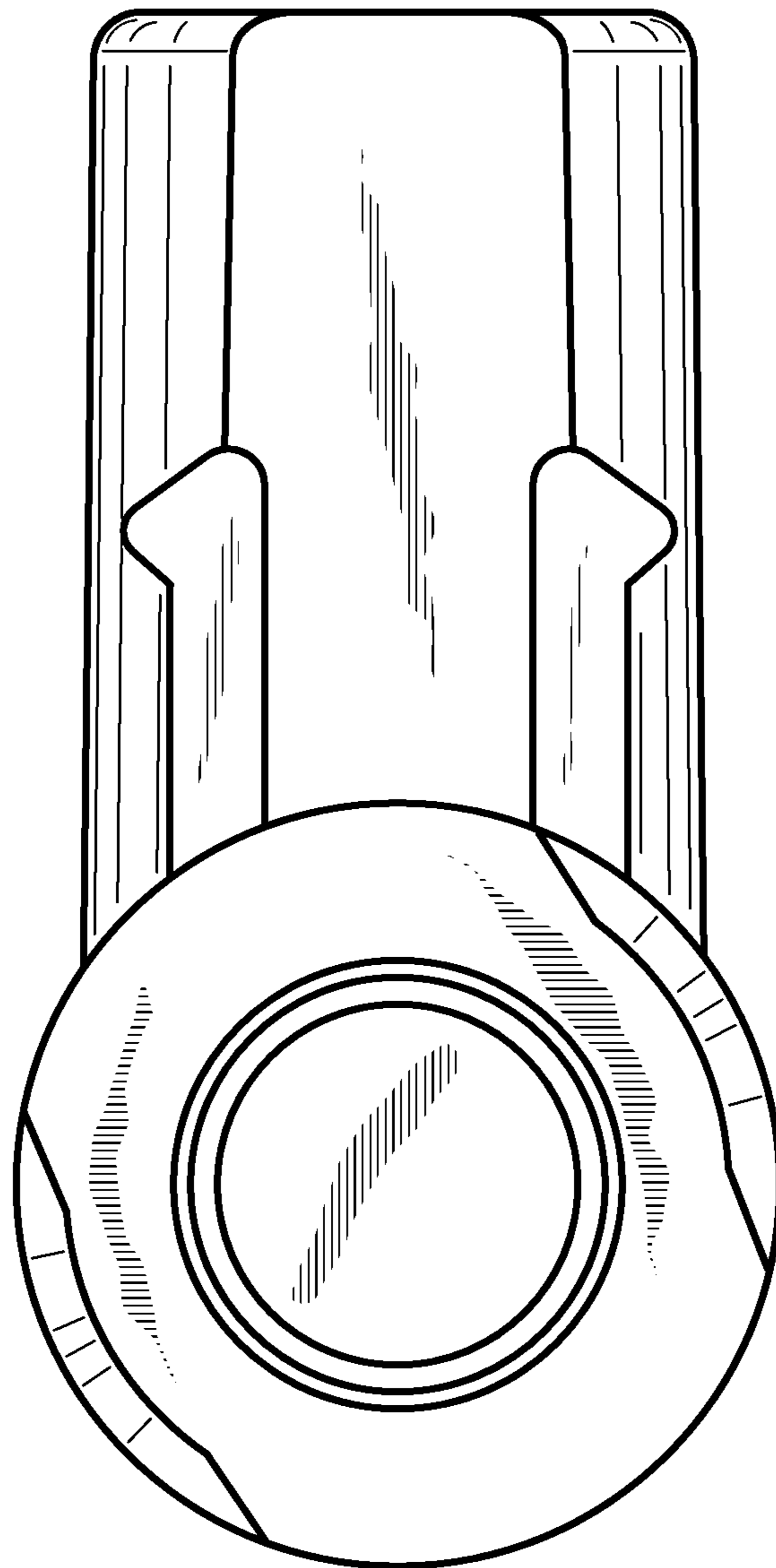


FIG. 7