

US00D962430S

(12) **United States Design Patent**  
**Altamura**

(10) **Patent No.:** **US D962,430 S**

(45) **Date of Patent:** **\*\* Aug. 30, 2022**

(54) **UNIVERSAL SURGICAL VAGINAL SPECULUM**

(71) Applicant: **Michael Altamura**, Croton-on-Hudson, NY (US)

(72) Inventor: **Michael Altamura**, Croton-on-Hudson, NY (US)

(\*\*) Term: **15 Years**

(21) Appl. No.: **29/801,023**

(22) Filed: **Jul. 26, 2021**

**Related U.S. Application Data**

(63) Continuation-in-part of application No. 16/795,643, filed on Feb. 20, 2020.

(51) **LOC (13) Cl.** ..... **24-02**

(52) **U.S. Cl.**  
USPC ..... **D24/135**

(58) **Field of Classification Search**  
USPC ..... D24/135, 133, 143  
CPC ..... A61B 1/32; A61B 1/303  
See application file for complete search history.

(56) **References Cited**

**U.S. PATENT DOCUMENTS**

5,545,122	A	8/1996	Spruill	
D403,066	S *	12/1998	DeFonzo	D24/135
D417,276	S *	11/1999	DeFonzo	D24/135
8,197,402	B1	6/2012	Cedeno	
8,864,660	B1	10/2014	Yufa	
D726,909	S *	4/2015	Bennett	D24/136
D876,624	S *	2/2020	Theobald	D24/133
2002/0055670	A1	5/2002	Weiss	
2003/0225313	A1	12/2003	Borodulin et al.	
2005/0080320	A1	4/2005	Lee et al.	
2008/0004497	A1	1/2008	Whitehead	

2009/0203968	A1	8/2009	Winslow	
2009/0312610	A1	12/2009	Buchok et al.	
2011/0160540	A1	6/2011	Smith	
2012/0035638	A1	2/2012	Mathaneswaran et al.	
2012/0174675	A1	7/2012	Sasady	
2015/0238070	A1	8/2015	Lia et al.	
2016/0029882	A1	2/2016	Young	
2017/0189004	A1	7/2017	Swift	
2018/0132896	A1	5/2018	Begg	
2019/0343379	A1 *	11/2019	Altamura	A61B 1/32
2021/0145270	A1 *	5/2021	Altamura	A61B 90/57

\* cited by examiner

*Primary Examiner* — Bridget L Eland

(74) *Attorney, Agent, or Firm* — Rothwell, Figg, Ernst & Manbeck, P.C.

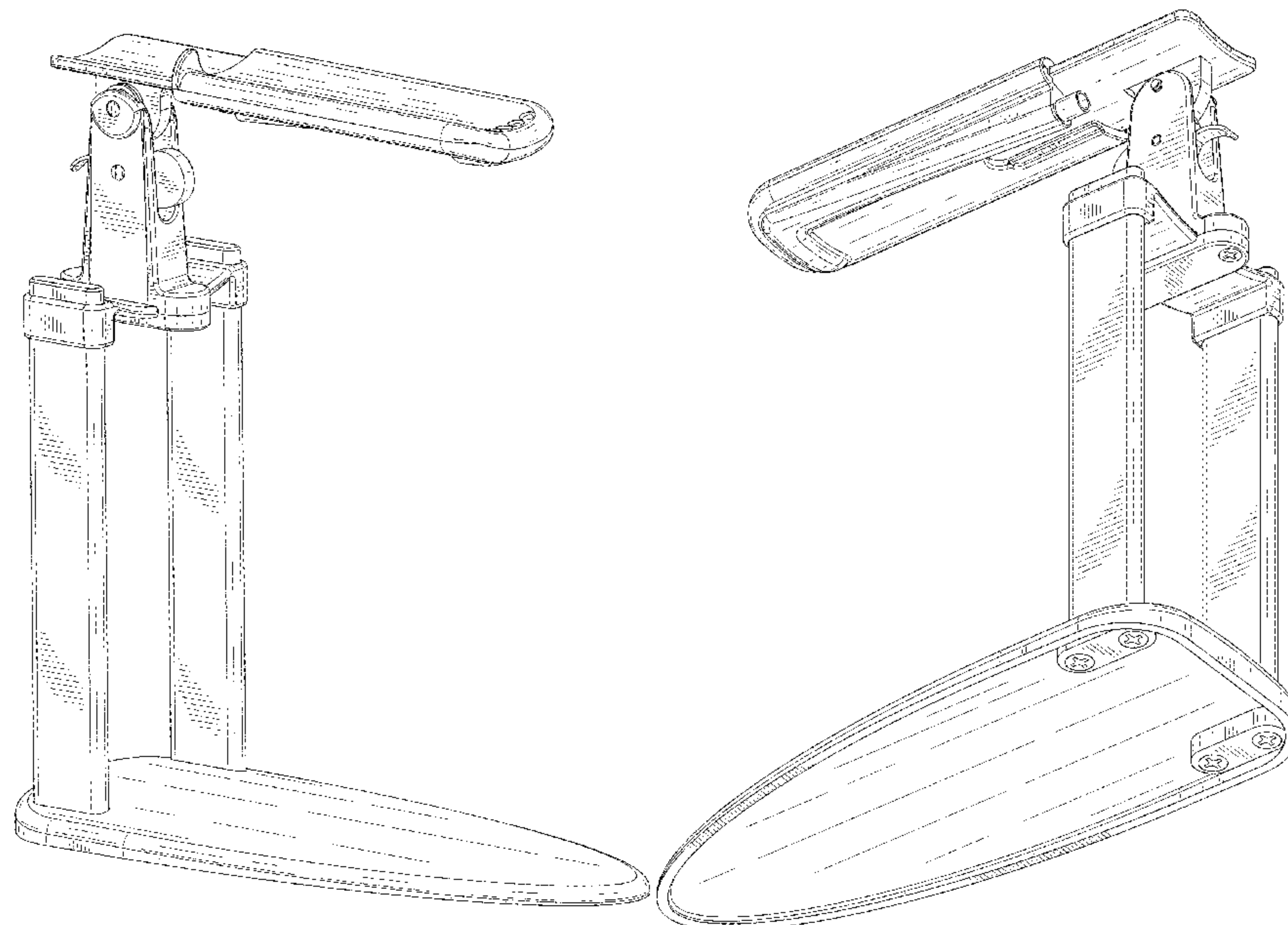
(57) **CLAIM**

The ornamental design for a universal surgical vaginal speculum, as shown and described.

**DESCRIPTION**

FIG. 1 is a front left perspective view of a universal surgical vaginal speculum showing my new design;  
 FIG. 2 is a bottom right perspective view of the universal surgical vaginal speculum of FIG. 1;  
 FIG. 3 is a top view of the universal surgical vaginal speculum of FIG. 1;  
 FIG. 4 is a bottom view of the universal surgical vaginal speculum of FIG. 1;  
 FIG. 5 is a left side view of the universal surgical vaginal speculum of FIG. 1;  
 FIG. 6 is a right side view of the universal surgical vaginal speculum of FIG. 1, shown in an alternate state;  
 FIG. 7 is a front view of the universal surgical vaginal speculum of FIG. 1, shown in another alternate state; and,  
 FIG. 8 is a rear view of the universal surgical vaginal speculum of FIG. 1.

**1 Claim, 8 Drawing Sheets**



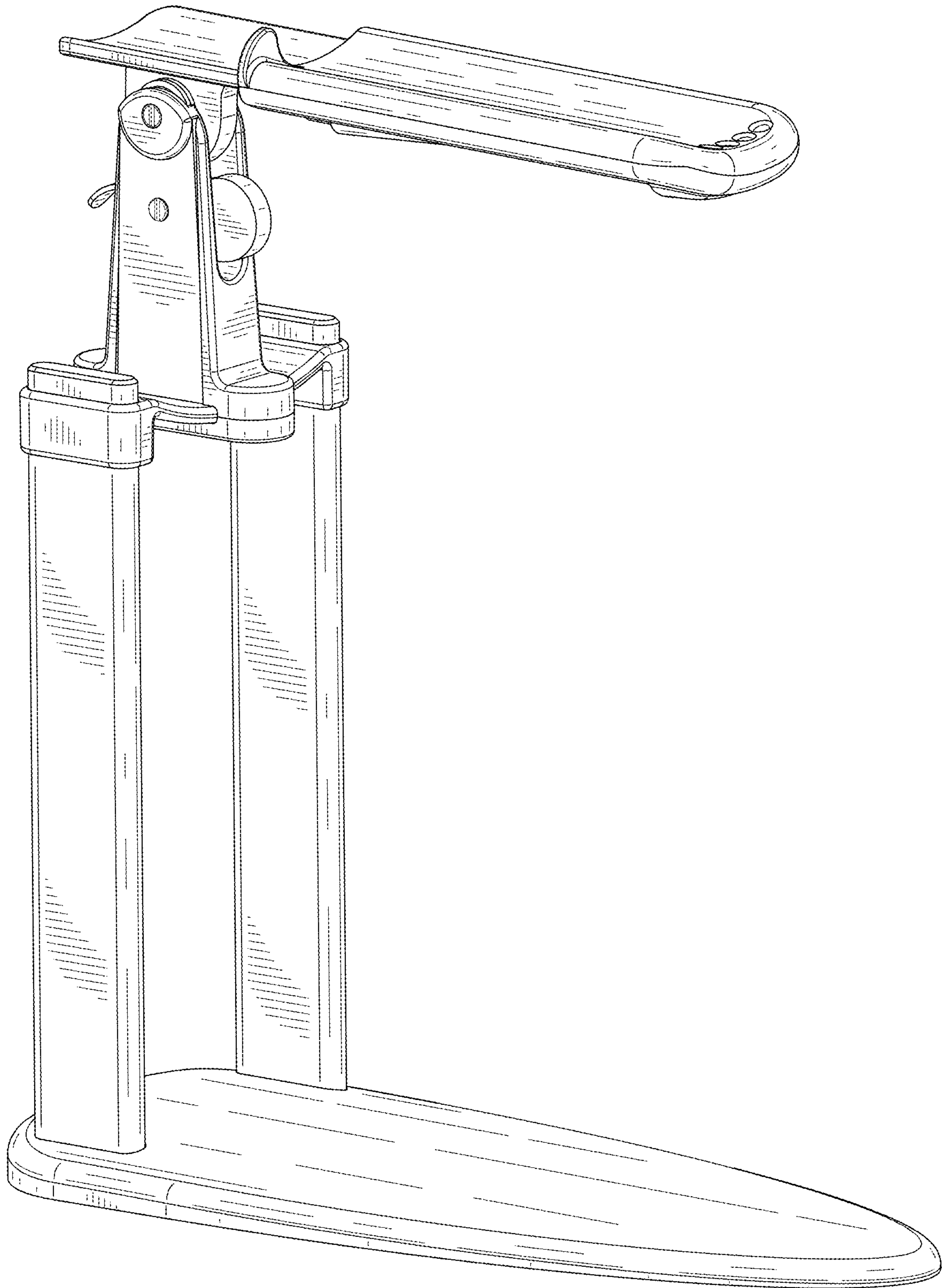


FIG. 1



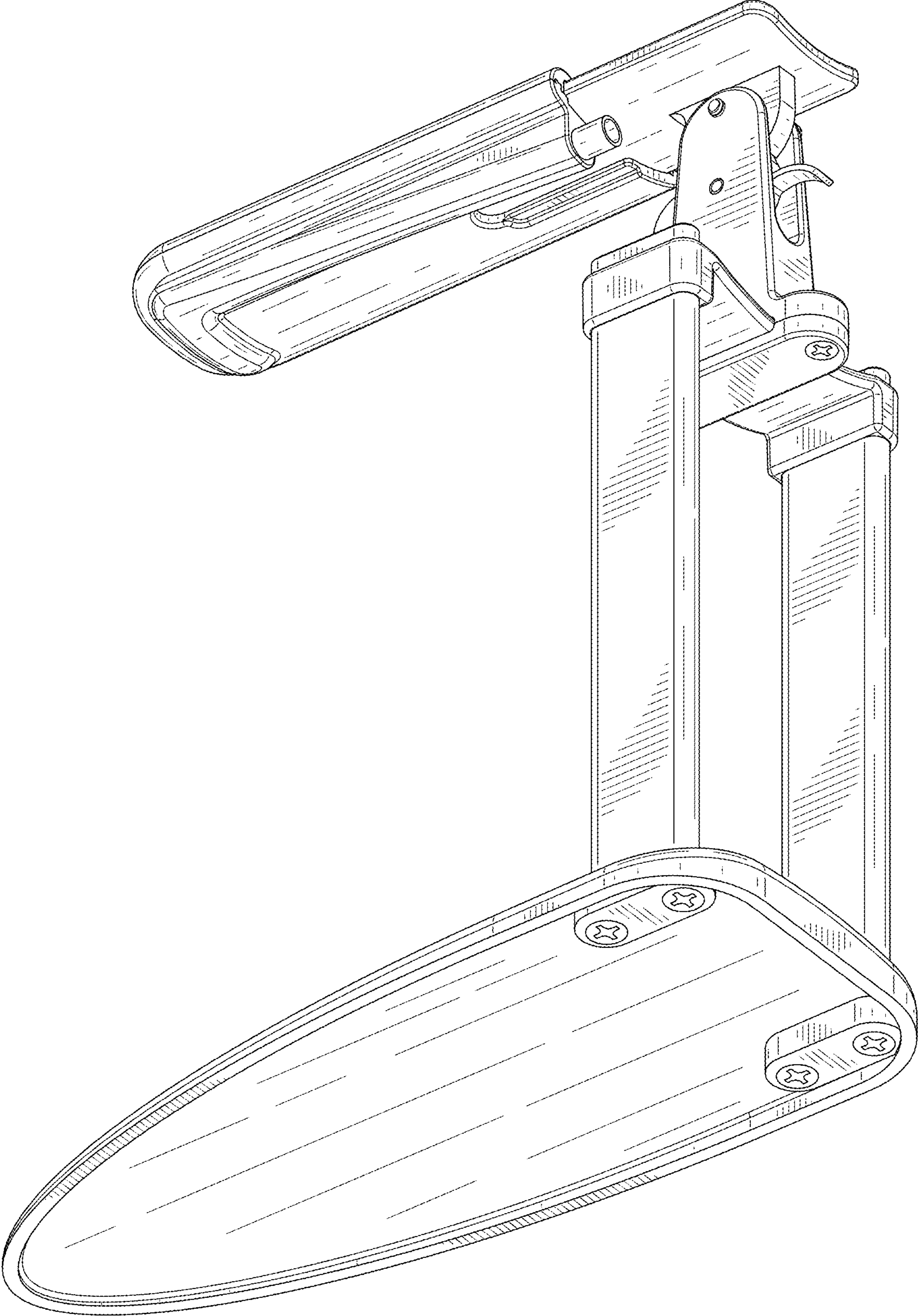


FIG. 2

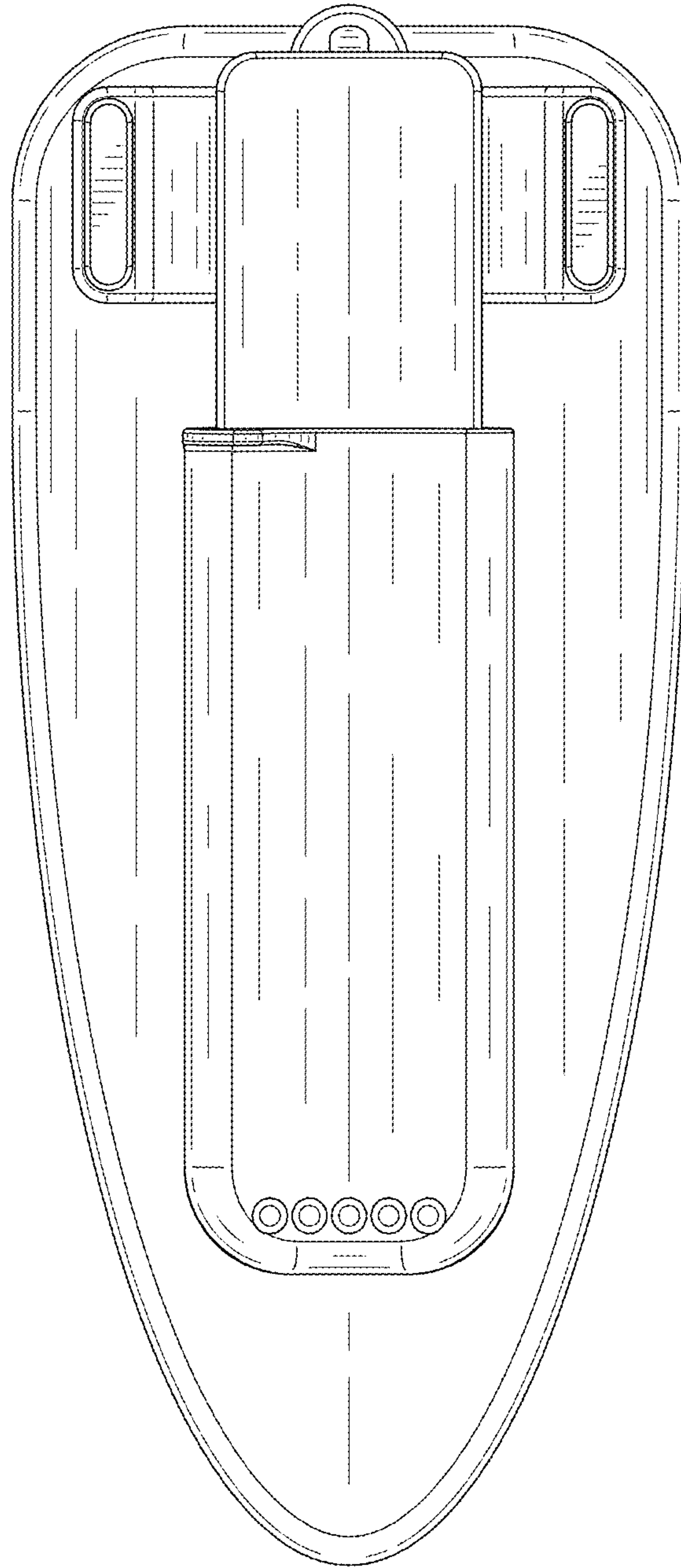


FIG. 3

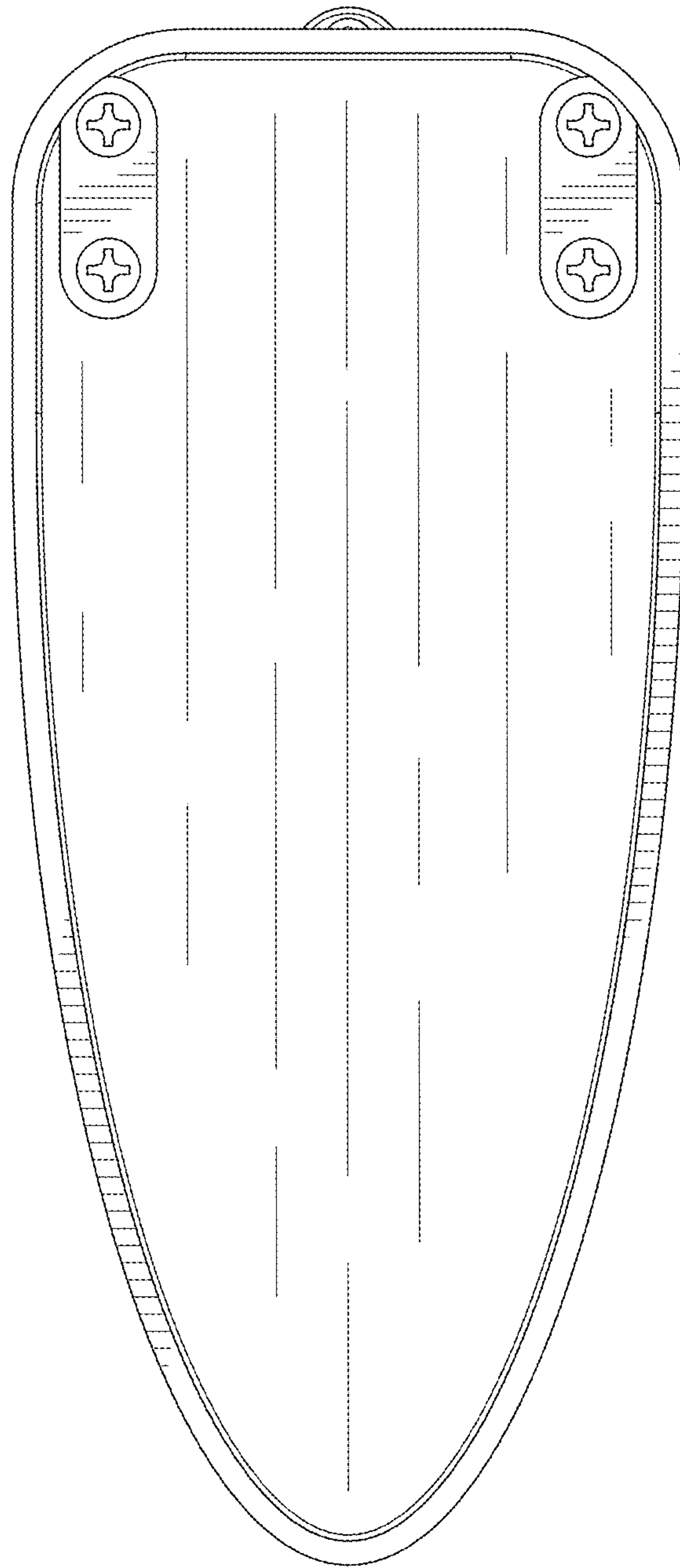


FIG. 4

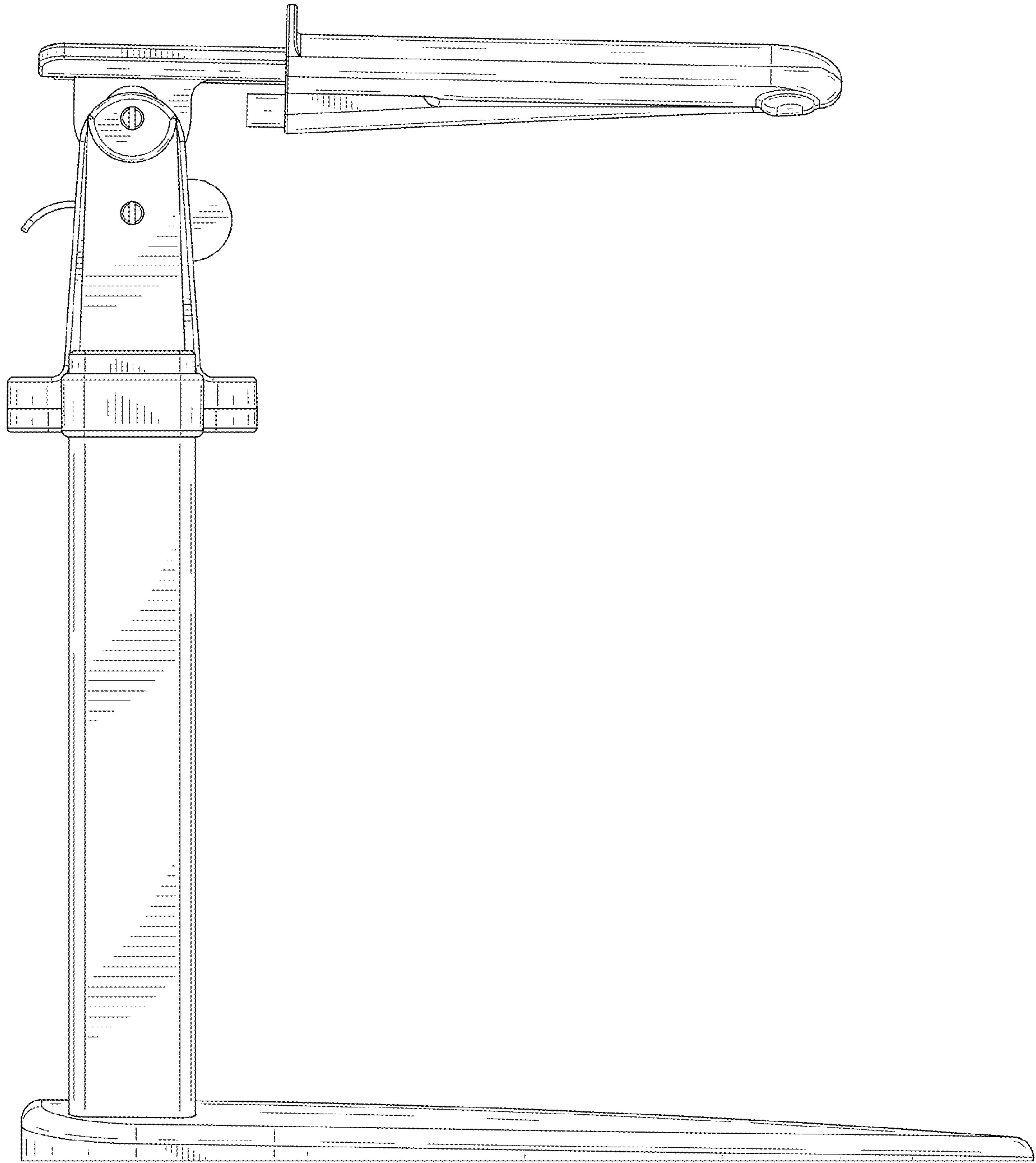


FIG. 5

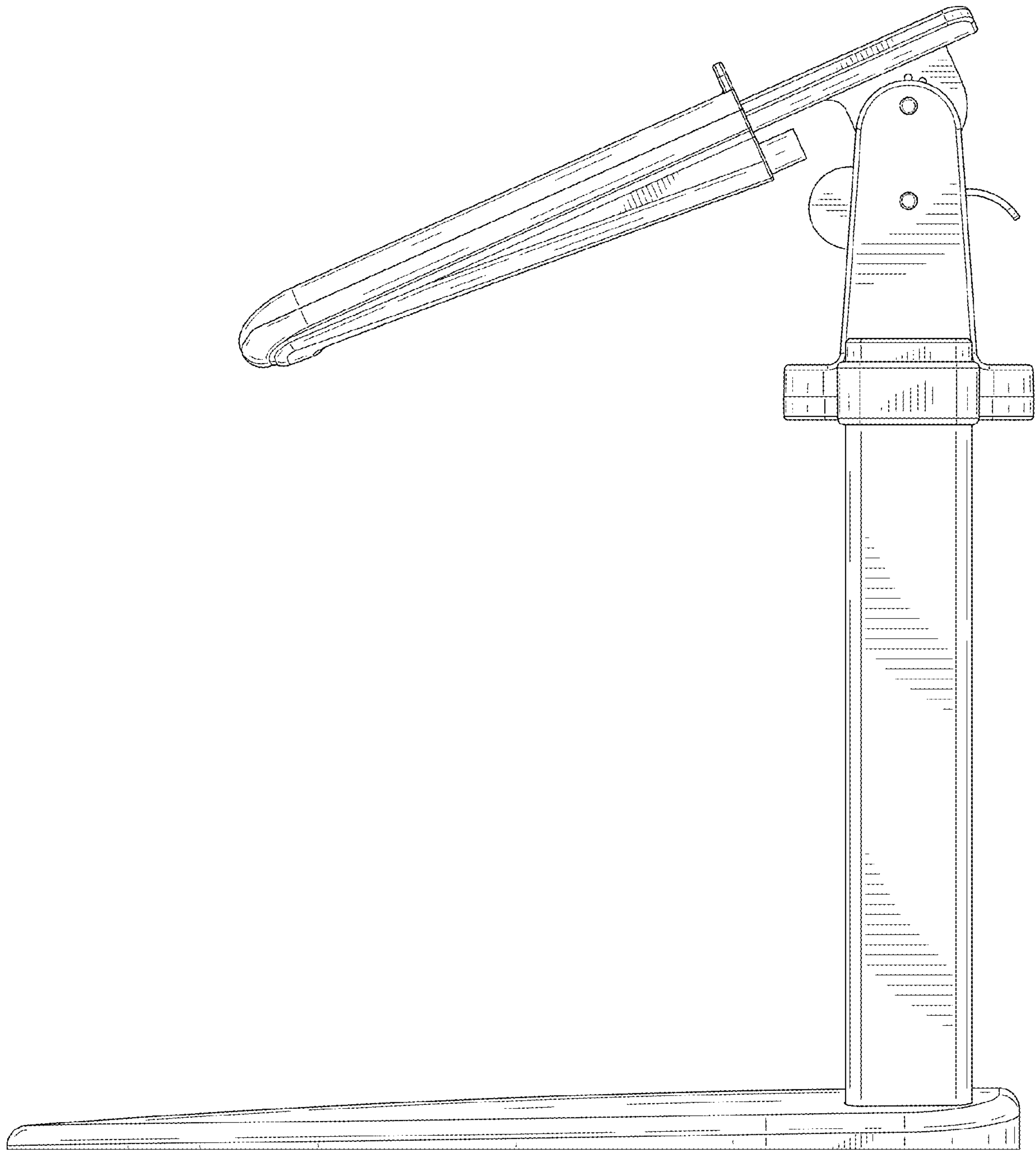


FIG. 6



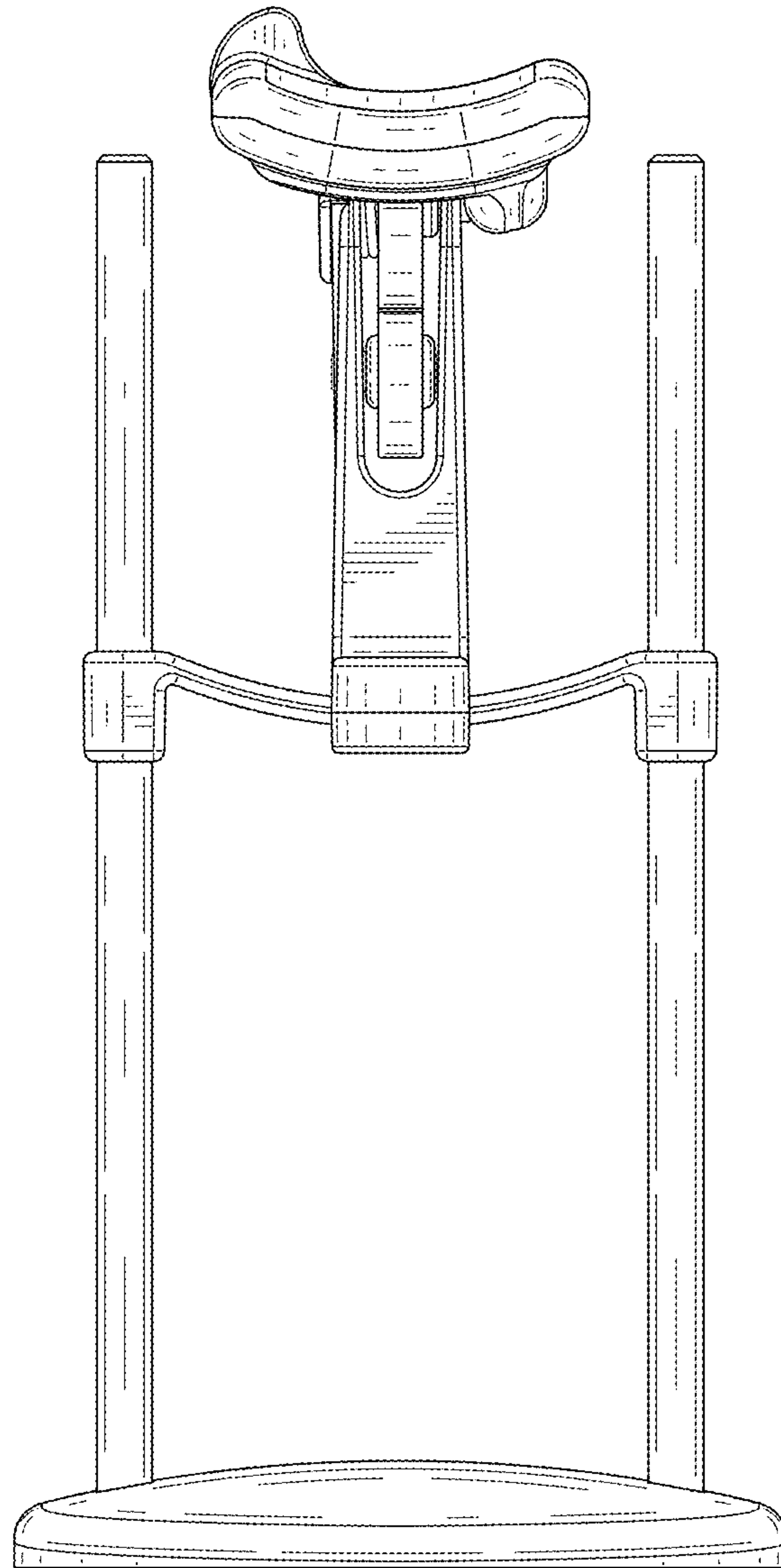


FIG. 7



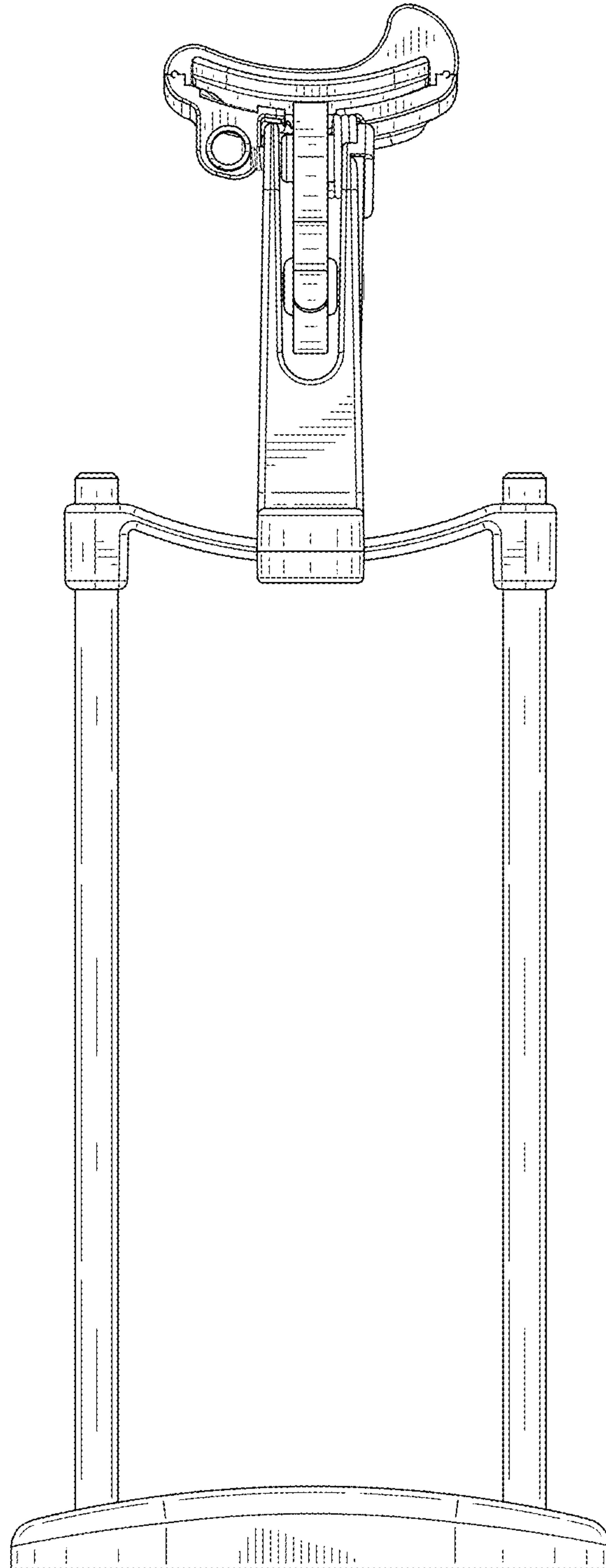


FIG. 8