

US00D962429S

(12) **United States Design Patent**  
**Richards**

(10) **Patent No.:** **US D962,429 S**

(45) **Date of Patent:** **\*\* Aug. 30, 2022**

(54) **ELECTRONIC STETHOSCOPE**

(71) Applicant: **Winston T. Richards**, Gainesville, FL  
(US)

(72) Inventor: **Winston T. Richards**, Gainesville, FL  
(US)

(\*\*) Term: **15 Years**

(21) Appl. No.: **29/824,795**

(22) Filed: **Jan. 27, 2022**

**Related U.S. Application Data**

(63) Continuation of application No. 29/746,998, filed on  
Aug. 19, 2020, now Pat. No. Des. 944,979.

(51) **LOC (13) Cl.** ..... **24-02**

(52) **U.S. Cl.**  
USPC ..... **D24/134**

(58) **Field of Classification Search**  
USPC ..... D24/133, 134, 135, 136, 140, 167, 189  
CPC .. A61B 7/02; A61B 7/04; A61B 7/003; A61B  
5/024; A61B 5/7282; A61B 5/742; A61B  
17/17; A61B 17/16; A61B 17/11; A61B  
17/00; A61B 17/1675; A61B 17/1764;  
A61B 17/1767; A61B 18/00; A61B  
19/00; A61F 2/46; A61F 2/4601; A61F  
2/4603; A61F 2/461; A61F 2/3868; A61F  
2002/4631

See application file for complete search history.

(56) **References Cited**

**U.S. PATENT DOCUMENTS**

- 2,829,727 A \* 4/1958 Russek ..... G04B 47/061  
968/412
- 3,339,667 A \* 9/1967 Speelman ..... A61B 7/02  
D24/134
- 4,212,368 A \* 7/1980 Allen ..... A61B 7/026  
181/131

- D256,951 S \* 9/1980 Allen ..... D24/134
- D269,295 S \* 6/1983 Bloom ..... D24/134
- 4,458,778 A \* 7/1984 Bloom ..... A61B 7/02  
181/158
- D277,890 S \* 3/1985 Loughridge ..... D24/134
- 4,783,813 A \* 11/1988 Kempka ..... A61B 7/04  
381/67
- 5,025,809 A \* 6/1991 Johnson ..... A61B 7/04  
600/528
- D323,033 S \* 1/1992 Allen ..... D24/134
- D323,394 S \* 1/1992 Casto ..... D24/134
- 5,189,264 A \* 2/1993 Peart ..... A61B 7/02  
181/131

(Continued)

*Primary Examiner* — T Chase Nelson

*Assistant Examiner* — Kelly L Gross

(74) *Attorney, Agent, or Firm* — Saliwanchik, Lloyd &  
Eisenschenk

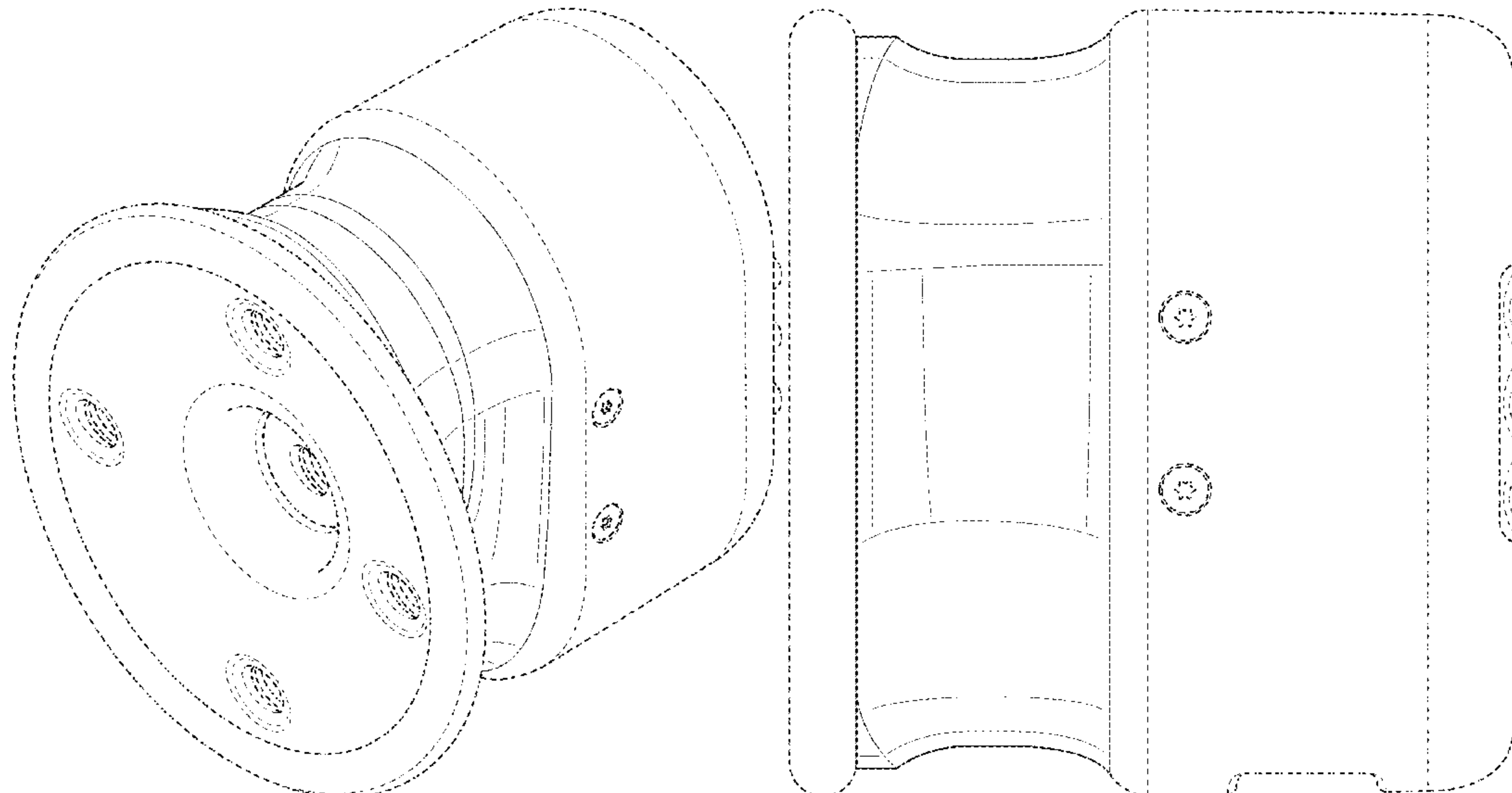
(57) **CLAIM**

The ornamental design for an electronic stethoscope, as  
shown and described.

**DESCRIPTION**

FIG. 1 is a bottom, left side perspective view of an electronic stethoscope showing my new design;  
 FIG. 2 is a top plan view thereof;  
 FIG. 3 is a right-side elevation view thereof;  
 FIG. 4 is a left side elevation view thereof;  
 FIG. 5 is a front side view thereof;  
 FIG. 6 is a back side view thereof;  
 FIG. 7 is a back side, perspective view;  
 FIG. 8 is the right-side elevation view in FIG. 3 with a cross-section line 9-9 through the tapered portion; and,  
 FIG. 9 shows the outer shape of the tapered portion at cross-section line 9-9 in FIG. 8. The dot-dash lines and area within form no part of the claimed design.  
 The broken lines shown in the drawings depict portions of the electronic stethoscope that form no part of the claimed design.

**1 Claim, 9 Drawing Sheets**



(56)

References Cited

U.S. PATENT DOCUMENTS

D337,381	S *	7/1993	Dufresne	D24/134	9,414,803	B1 *	8/2016	Naqvi	H04W 4/80
D338,269	S *	8/1993	Dufresne	D24/134	D787,684	S *	5/2017	Vezina	D24/187
5,367,575	A *	11/1994	Dieken	A61B 7/045	D791,942	S *	7/2017	Hussain	D24/134
				429/96	9,739,466	B1 *	8/2017	Muiruri	F21V 19/0045
D361,840	S *	8/1995	Savage	D24/134	D800,313	S *	10/2017	Chang	D24/167
D362,063	S *	9/1995	Savage	D24/134	D804,674	S *	12/2017	Im	D24/186
5,498,841	A *	3/1996	Allen	A61B 7/02	D816,229	S *	4/2018	Frick	D24/169
				181/131	D820,981	S *	6/2018	Johnson	D24/134
5,514,840	A *	5/1996	Selinger	A61B 7/026	D837,979	S *	1/2019	Shan	D24/134
				181/131	D838,370	S *	1/2019	Bardy	D24/167
D373,824	S *	9/1996	Packard	D24/134	D840,028	S *	2/2019	Shan	D24/134
5,561,275	A *	10/1996	Savage	A61B 7/04	D844,134	S *	3/2019	Bello	A61B 5/02438
				381/67					D24/134
5,623,131	A *	4/1997	Earnest	A61B 7/02	D847,986	S *	5/2019	Shan	D24/134
				D24/134	10,307,132	B2 *	6/2019	Chung	A61L 2/24
D379,512	S *	5/1997	Dieken	D24/134	D858,759	S *	9/2019	Bedingham	D24/134
5,686,706	A *	11/1997	Wurzburger	A61B 7/026	D858,760	S *	9/2019	Molinaro	D24/134
				181/131	D865,167	S *	10/2019	Kirgizov	D24/134
D387,160	S *	12/1997	Moore	D24/134	D866,758	S *	11/2019	Chen	D24/134
D389,575	S *	1/1998	Grasfield	D24/134	D875,927	S *	2/2020	Ohashi	D24/134
5,737,429	A *	4/1998	Lee	A61B 7/04	10,631,824	B2 *	4/2020	Liu	A61B 8/4281
				600/528	D895,925	S *	9/2020	Wieser	D99/8
D398,056	S *	9/1998	Rashman	D24/134	D911,520	S *	2/2021	Lin	D24/134
D403,065	S *	12/1998	Dieken	D24/134	D925,635	S *	7/2021	Belzile	D15/199
D410,285	S *	5/1999	Packard	D24/134	D926,977	S *	8/2021	Kubon	D24/129
5,909,495	A *	6/1999	Andrea	A61B 7/04	D928,320	S *	8/2021	Sakazaki	D24/146
				381/357	D929,591	S *	8/2021	Sakazaki	D24/146
D432,237	S *	10/2000	Shick	D24/134	D929,592	S *	8/2021	Sakazaki	D24/146
D432,238	S *	10/2000	Packard	D24/134	D930,156	S *	9/2021	Wong	D24/134
6,202,784	B1 *	3/2001	Alatriste	A61B 1/0661	D931,450	S *	9/2021	Baba	D24/138
				181/131	D931,451	S *	9/2021	Baba	D24/138
D445,184	S *	7/2001	Meyer	D24/134	D931,452	S *	9/2021	Baba	D24/138
D452,736	S *	1/2002	Werblud	D24/134	D943,438	S *	2/2022	Chen	D24/186
D463,551	S *	9/2002	Werblud	D24/134	D944,979	S *	3/2022	Richards	D24/134
D466,998	S *	12/2002	Werblud	D24/134	D947,404	S *	3/2022	Ou Yang	D24/217
6,523,639	B1 *	2/2003	Shieh	A61B 7/02	D948,726	S *	4/2022	Tseng	D24/186
				181/131	D949,376	S *	4/2022	Dori	D24/215
D477,405	S *	7/2003	Sommerfeld	D24/134	2003/0201138	A1 *	10/2003	Drummond	A61B 7/02
D477,874	S *	7/2003	Sommerfeld	D24/134					181/131
D485,357	S *	1/2004	Kapinos, Sr.	D24/134	2004/0114767	A1 *	6/2004	Tseng	A61B 7/02
D487,928	S *	3/2004	Drummond	D24/134					600/528
6,966,400	B1 *	11/2005	Rollins	A61B 9/00	2007/0058818	A1 *	3/2007	Yoshimine	A61B 7/04
				600/528					381/67
D527,819	S *	9/2006	Poulsen	D24/134	2008/0137876	A1 *	6/2008	Kassal	A61B 7/04
D536,448	S *	2/2007	Jackson	D24/134					381/67
D564,368	S *	3/2008	Molyneux	D10/38	2008/0232605	A1 *	9/2008	Bagha	A61B 7/04
D583,940	S *	12/2008	Wong	D24/134					381/67
D589,144	S *	3/2009	Bagha	D24/134	2012/0190303	A1 *	7/2012	Wong	A61B 7/02
D618,794	S *	6/2010	Onuma	D24/137					600/586
D621,504	S *	8/2010	Martinez	D24/134	2012/0310115	A1 *	12/2012	Bedingham	A61B 5/002
D625,804	S *	10/2010	Sternberger	D24/134					600/586
D635,667	S *	4/2011	Soerensen	D24/134	2014/0005574	A1 *	1/2014	Ting	A61B 7/02
D639,426	S *	6/2011	Boyd	D24/134					600/586
D674,486	S *	1/2013	Onuma	D24/137	2014/0107515	A1 *	4/2014	Lee	A61B 5/7225
D675,738	S *	2/2013	Baumer	D24/168					600/528
D711,532	S *	8/2014	Habboushe	D24/134	2014/0153730	A1 *	6/2014	Habboushe	H04R 1/46
D718,868	S *	12/2014	Schroderus	D24/167					381/67
D740,415	S *	10/2015	Johnson	D24/134	2016/0095571	A1 *	4/2016	Shams	A61B 7/04
D750,241	S *	2/2016	Shan	D24/134					600/586
D752,216	S *	3/2016	Chong	D24/134	2018/0344282	A1 *	12/2018	Lin	A61B 7/02
D756,514	S *	5/2016	Ohwa	D24/134	2019/0133548	A1 *	5/2019	Cai	A61B 8/462
D757,936	S *	5/2016	Angel	D24/134	2019/0150880	A1 *	5/2019	Campbell	A61L 2/04
9,404,829	B1 *	8/2016	Tien	G01M 3/04	2020/0098345	A1 *	3/2020	Loriaux	A61B 7/02
					2020/0155112	A1 *	5/2020	Gross	A61B 7/02

\* cited by examiner



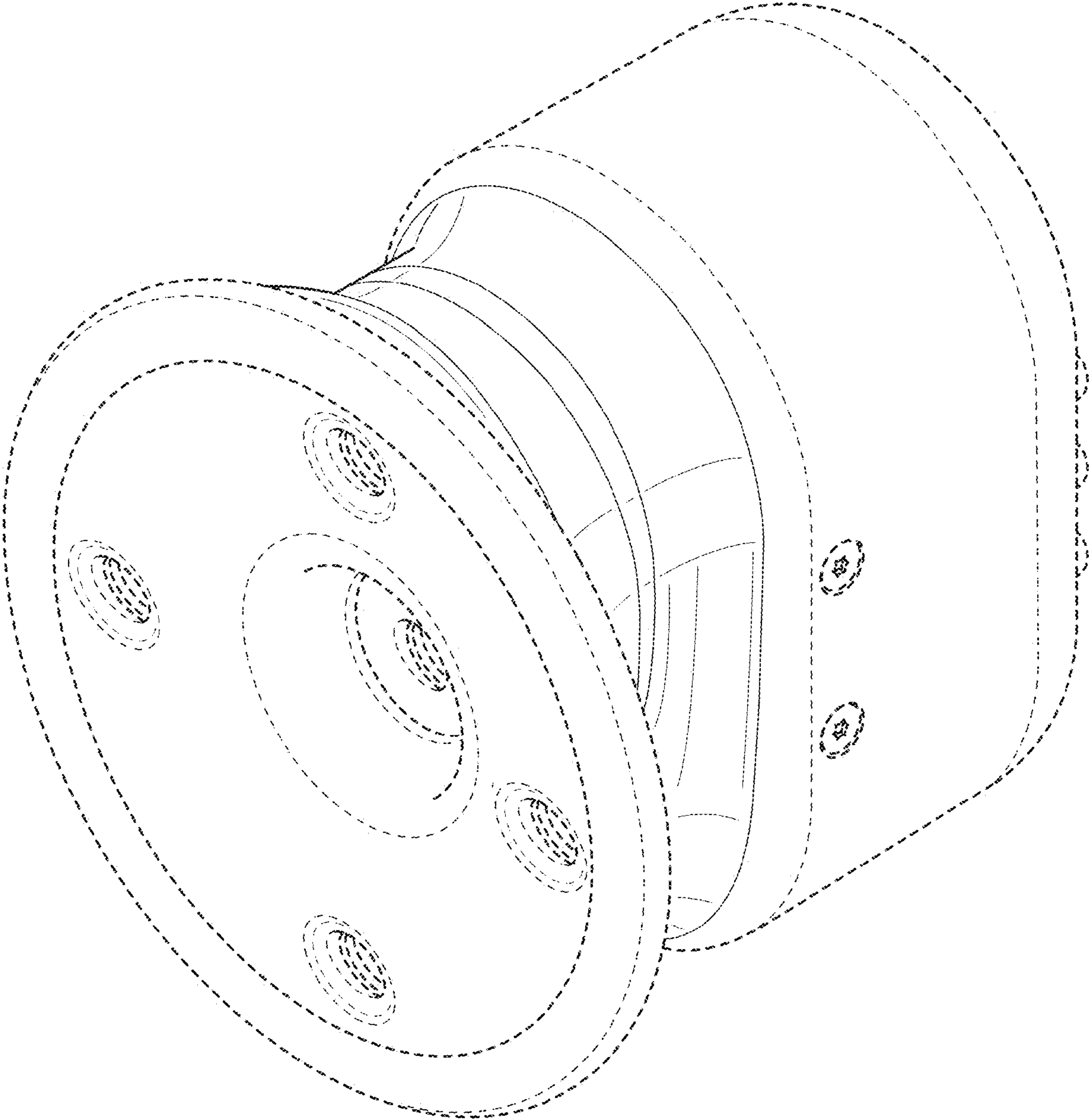


FIG. 1

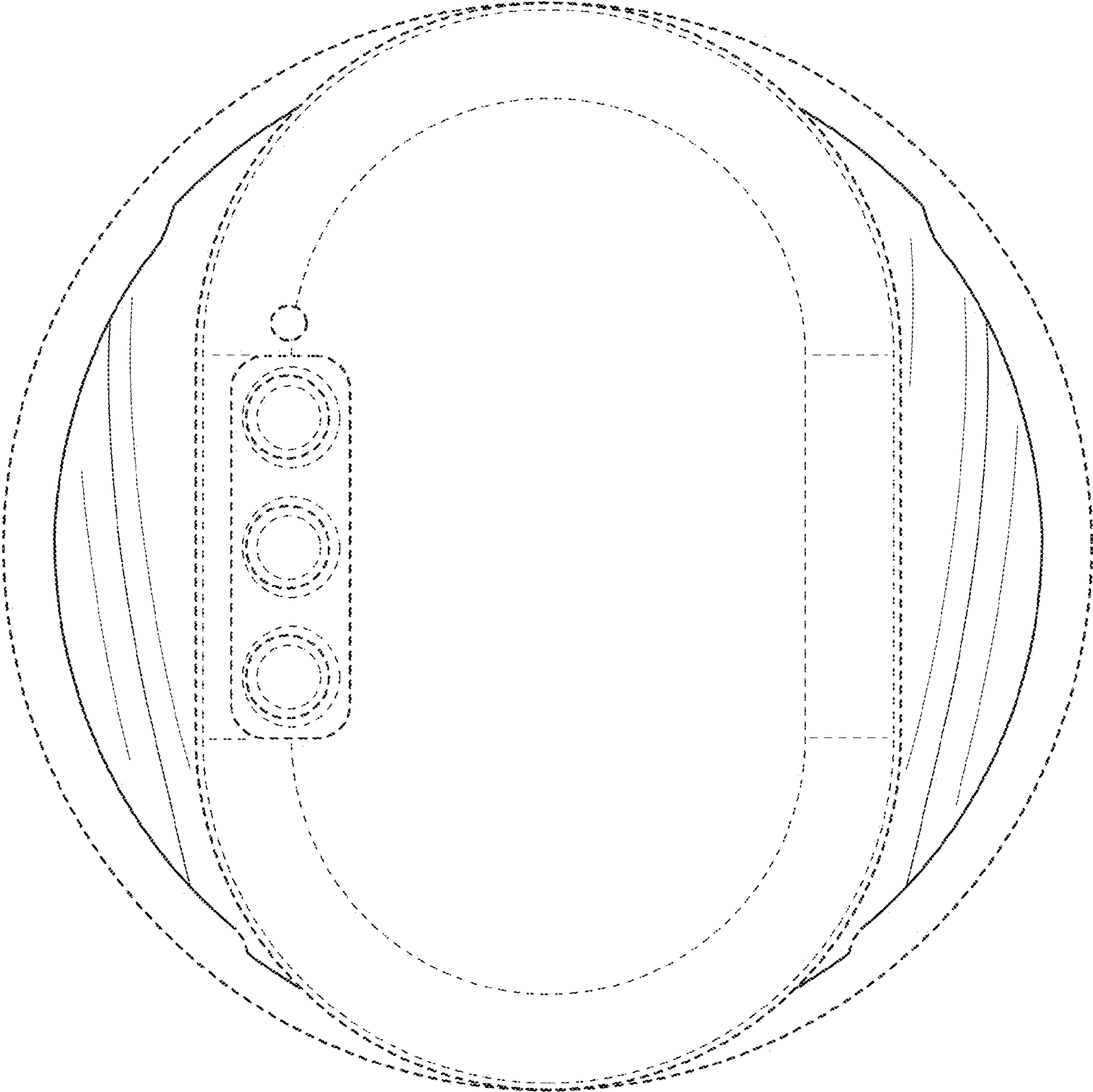


FIG. 2

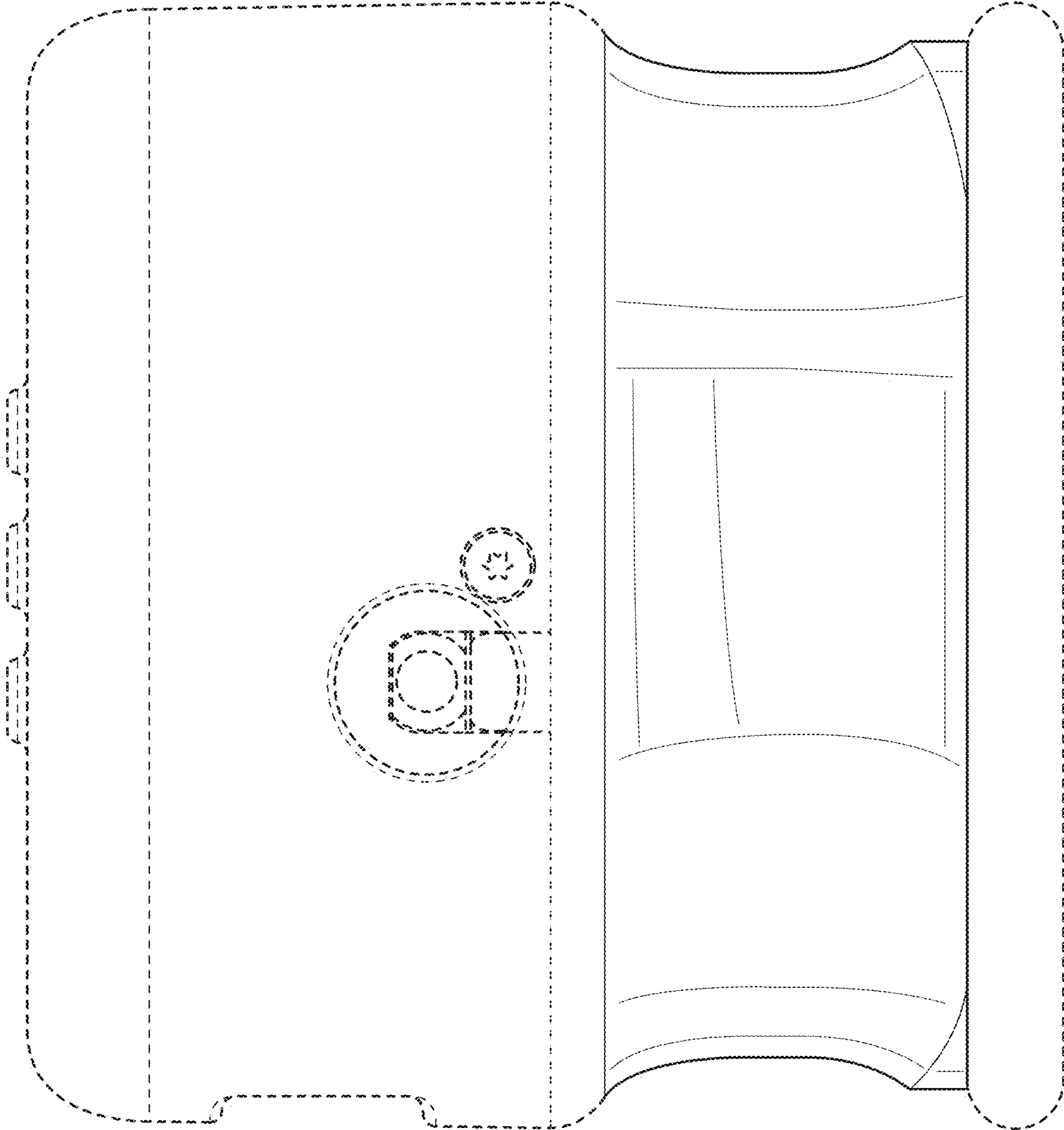


FIG. 3

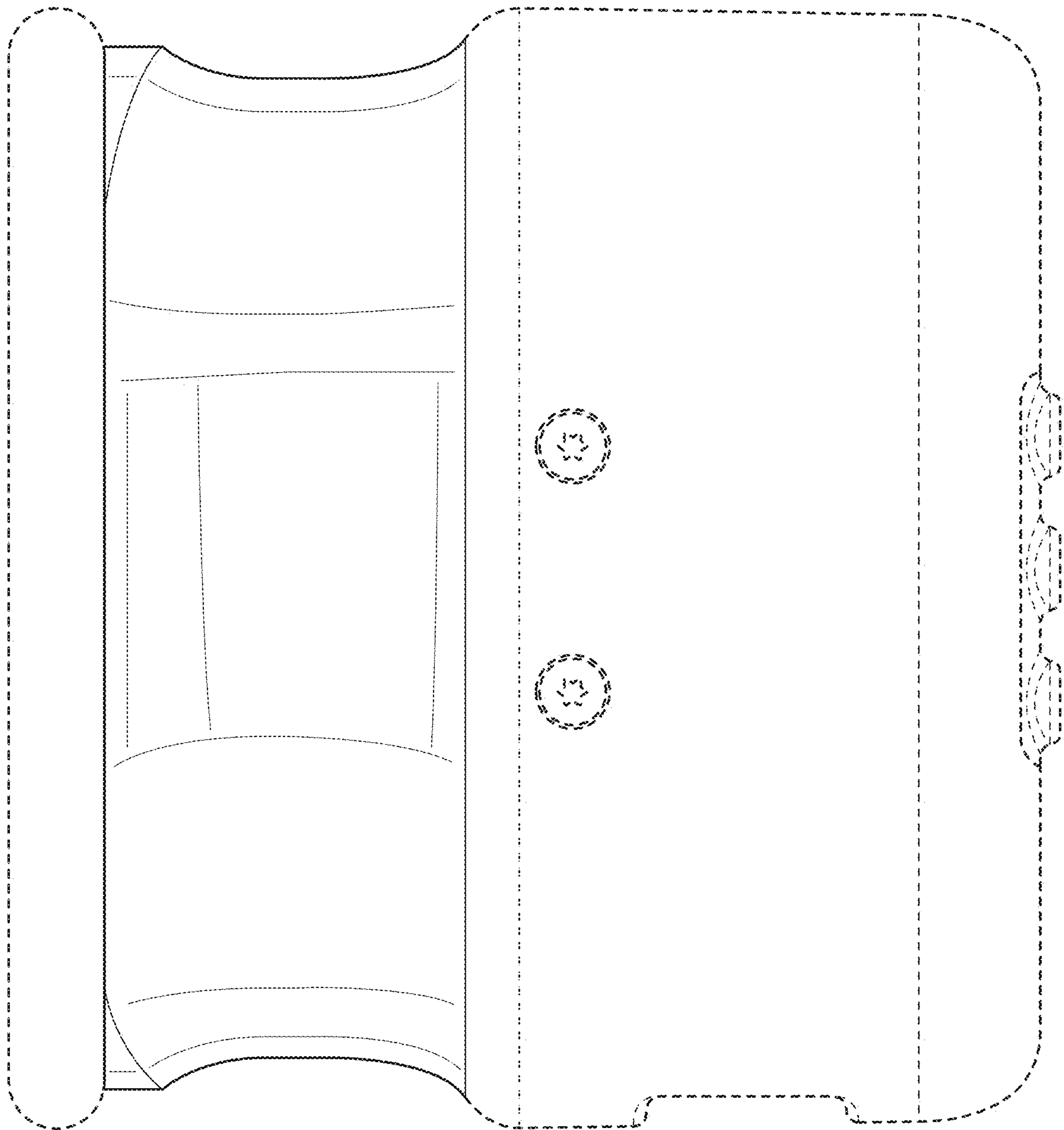


FIG. 4

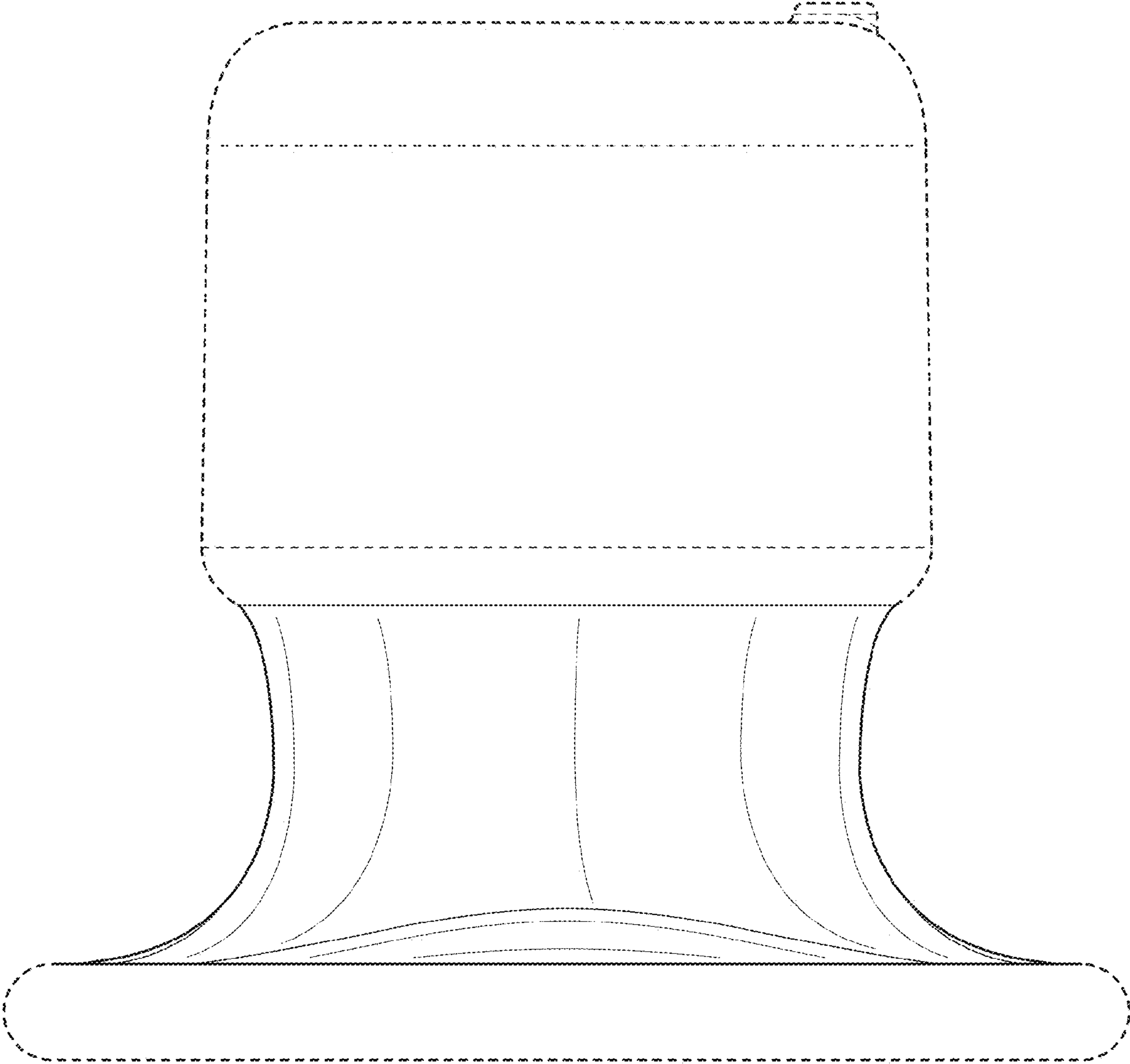


FIG. 5

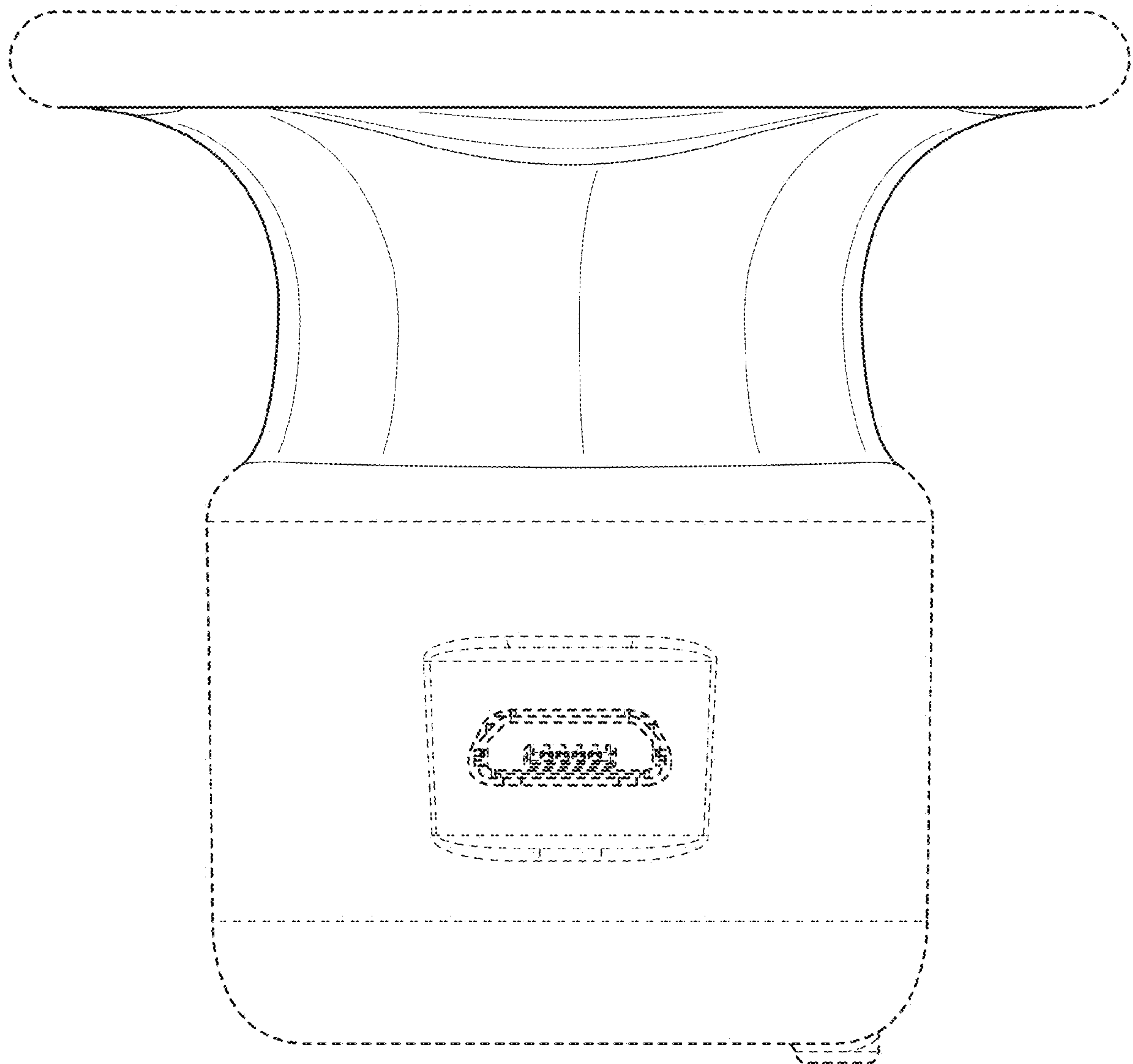


FIG. 6



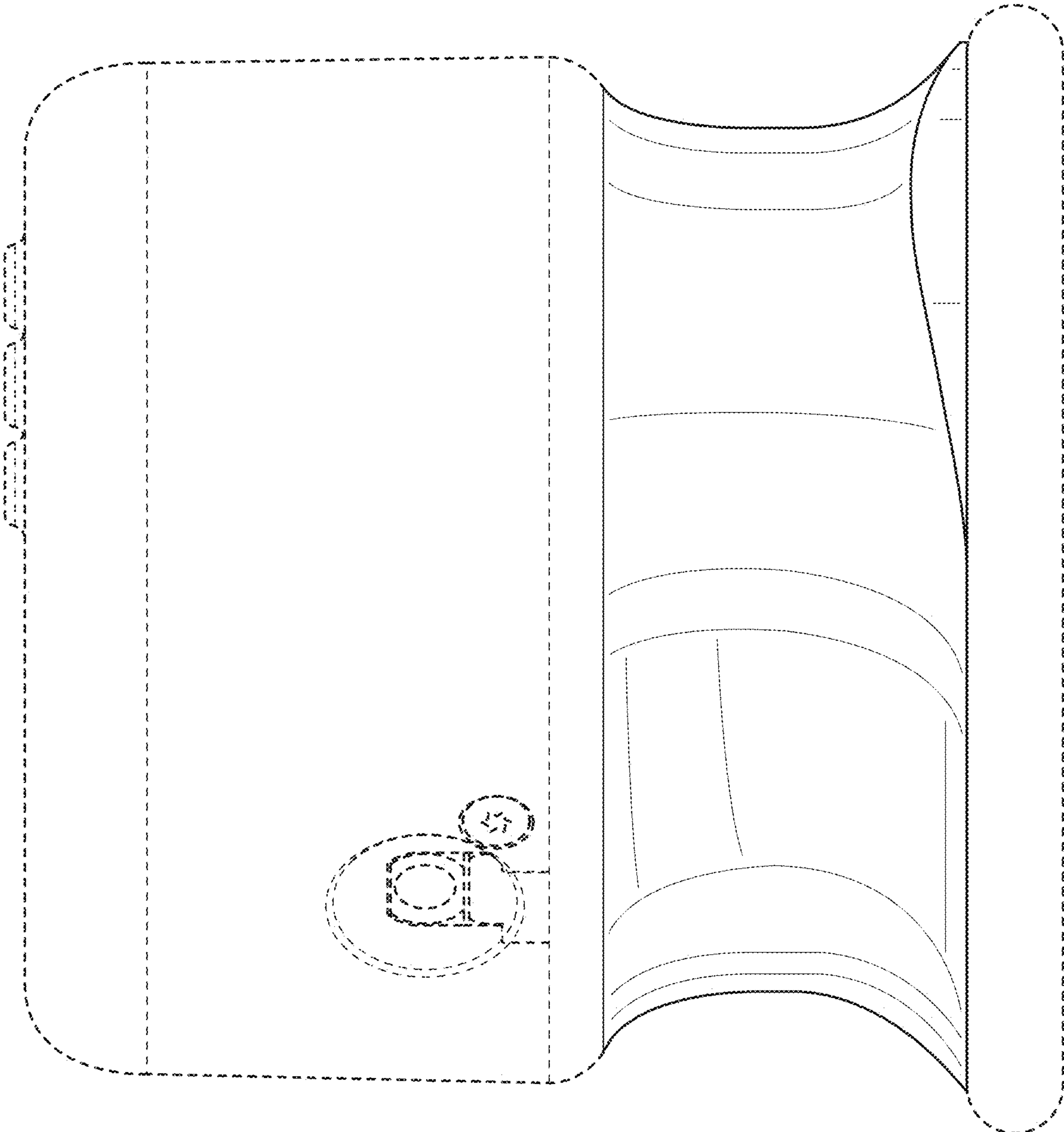


FIG. 7

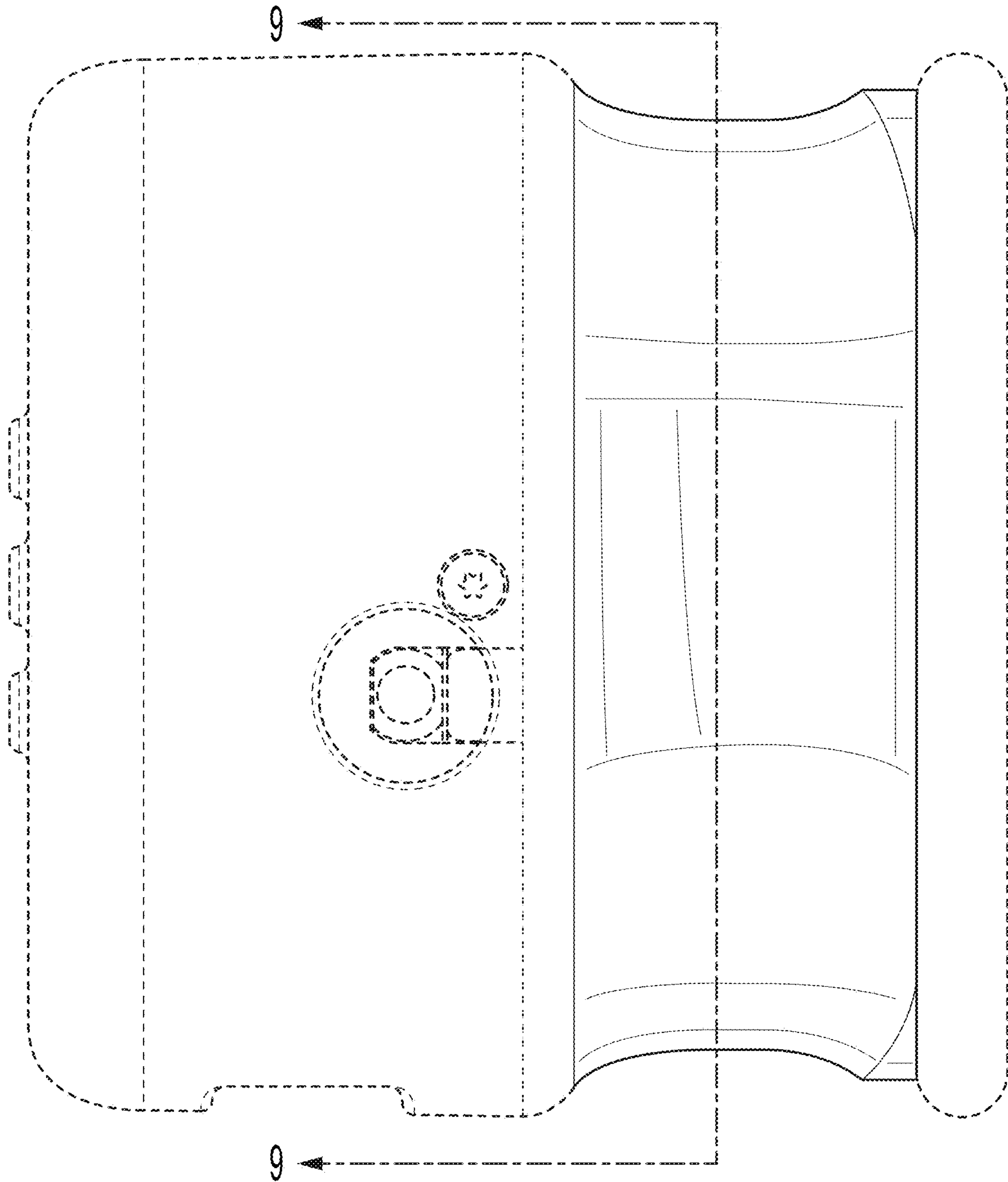


FIG. 8

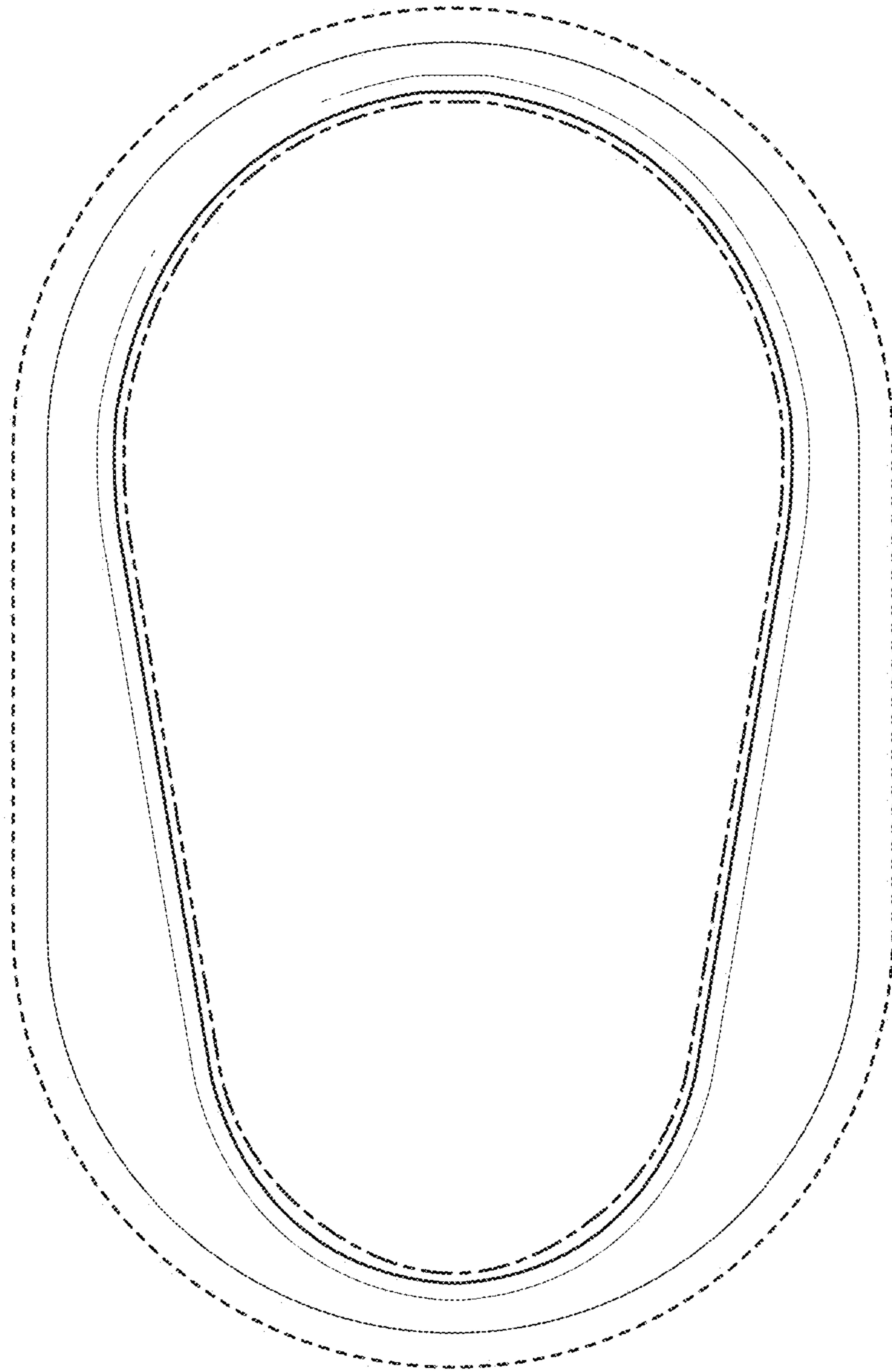


FIG. 9