



US00D962423S

(12) **United States Design Patent** (10) **Patent No.:** **US D962,423 S**
Melander et al. (45) **Date of Patent:** **** Aug. 30, 2022**

(54) **HANDHELD DRUG DELIVERY DEVICE**

(71) Applicant: **AMGEN INC.**, Thousand Oaks, CA (US)

(72) Inventors: **Matias Melander**, Copenhagen (DK); **Bjarke Lykke Ludvig Hooge**, Slagelse (DK); **Christian Plambech**, Soeborg (DK); **Dylan Bourelle**, Thousand Oaks, CA (US); **Jakob Halkjaer Pedersen**, Virum (DK); **Joshua J. Dudman**, Copenhagen (DK); **Emil Spork**, Thousand Oaks, CA (US)

(73) Assignee: **AMGEN INC.**, Thousand Oaks, CA (US)

(**) Term: **15 Years**

(21) Appl. No.: **29/757,407**

(22) Filed: **Nov. 5, 2020**

(51) **LOC (13) Cl.** **24-02**

(52) **U.S. Cl.**
 USPC **D24/113**

(58) **Field of Classification Search**
 USPC D24/112-114, 133, 186, 127-131; D19/115-123, 177, 193
 CPC A61M 5/3156; A61M 5/31591; A61M 5/3155; A61M 5/3157; A61M 5/24; A61M 5/31501; A61M 5/31551; A61M 5/31585

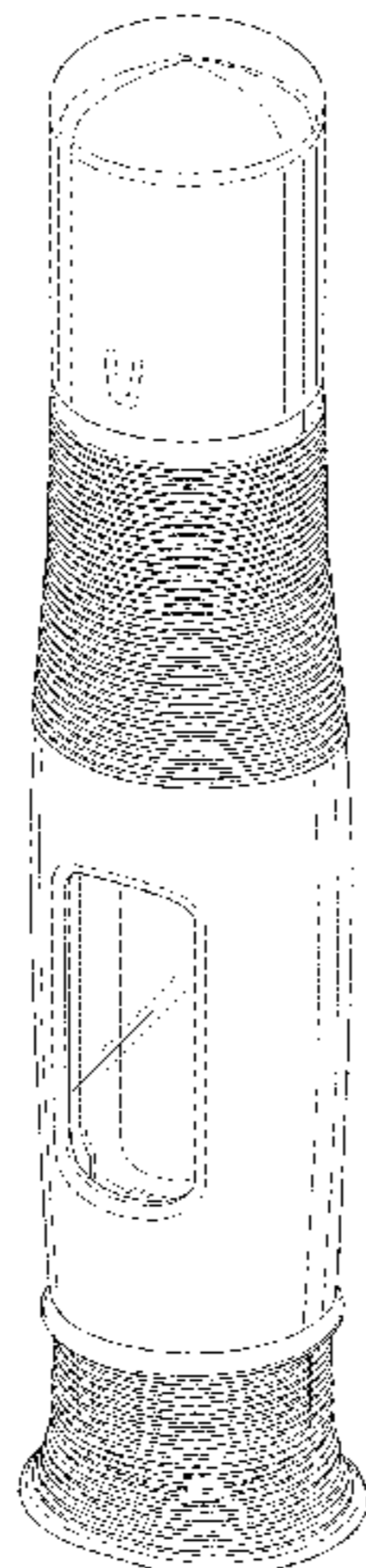
See application file for complete search history.

D619,244 S 7/2010 Van Der Stappen
 D622,374 S 8/2010 Julian et al.
 D626,994 S 11/2010 Gerules
 D627,061 S 11/2010 Van Der Stappen
 D628,690 S 12/2010 Galbraith
 D629,509 S 12/2010 Julian et al.
 D640,786 S 6/2011 Sato et al.
 D660,958 S 5/2012 McLoughlin et al.
 8,298,194 B2 10/2012 Moeller
 D671,638 S 11/2012 Young et al.
 D696,397 S 12/2013 Guarraia et al.
 D696,772 S 12/2013 Schneider et al.
 D696,773 S 12/2013 Schneider et al.
 D696,774 S 12/2013 Guarraia et al.
 D696,775 S 12/2013 Guarraia et al.
 8,608,709 B2 12/2013 Moeller et al.
 D697,205 S 1/2014 Schneider et al.
 D708,317 S 7/2014 Schneider et al.
 D714,932 S 10/2014 Hall et al.
 D715,422 S 10/2014 Hall et al.
 D717,428 S 11/2014 Sendatzki et al.
 D721,802 S 1/2015 Ohashi
 D722,158 S 2/2015 Magome et al.
 D722,256 S 2/2015 Kita
 8,945,065 B2 2/2015 Torris et al.
 D726,902 S 4/2015 McLoughlin et al.
 D728,782 S 5/2015 Dubuc et al.
 D732,161 S 6/2015 Ohashi
 D732,661 S 6/2015 Dubuc et al.
 D735,848 S 8/2015 Dubuc et al.
 D737,639 S 9/2015 Masalin et al.
 D739,011 S 9/2015 Morrison et al.
 D739,932 S 9/2015 Ratjen et al.
 D755,956 S 5/2016 McLoughlin et al.
 D757,255 S 5/2016 Wohlfahrt et al.
 D758,566 S 6/2016 Chen
 D758,567 S 6/2016 Wohlfahrt et al.
 D758,568 S 6/2016 Wohlfahrt et al.
 D758,569 S 6/2016 Wohlfahrt et al.
 D758,570 S 6/2016 Wohlfahrt et al.
 D758,571 S 6/2016 Geert-Jensen et al.
 D759,813 S 6/2016 Newman et al.
 D759,814 S 6/2016 Newman et al.
 D765,239 S 8/2016 Hauck et al.
 D765,240 S 8/2016 Hauck et al.
 D766,425 S 9/2016 Hauck et al.
 D767,119 S 9/2016 Hauck et al.
 D770,610 S 11/2016 Saussaye et al.
 D773,648 S 12/2016 Wohlfahrt et al.
 D773,650 S 12/2016 Fourt et al.
 D774,639 S 12/2016 Saussaye et al.
 D774,641 S 12/2016 Miggels et al.
 D775,279 S 12/2016 Shen

(56) **References Cited**

U.S. PATENT DOCUMENTS

758,567 A 4/1904 Siebelist
 3,316,909 A 5/1967 Cowley
 D321,472 S 11/1991 Evans et al.
 D443,641 S 6/2001 Mader
 D497,806 S 11/2004 Nichols et al.
 D509,296 S 9/2005 Minshull et al.
 D545,895 S 7/2007 Okutani
 D612,486 S 3/2010 Van Der Stappen



D780,909 S 3/2017 Burkett et al.
 D783,816 S 4/2017 Wohlfahrt et al.
 9,623,199 B2 4/2017 Richter et al.
 D788,909 S 6/2017 Ratjen
 D789,519 S 6/2017 Ratjen et al.
 D790,686 S 6/2017 Cox et al.
 D793,547 S 8/2017 Burkett et al.
 D794,178 S 8/2017 Daniel et al.
 D794,777 S 8/2017 Daniel et al.
 D794,778 S 8/2017 Daniel et al.
 D799,026 S 10/2017 Jones et al.
 D802,748 S 11/2017 Mills et al.
 D809,137 S 1/2018 Ratjen
 D810,280 S 2/2018 Tharp et al.
 D810,282 S 2/2018 Ratjen
 D812,746 S 3/2018 Umemura
 D813,379 S 3/2018 Mills et al.
 D814,022 S * 3/2018 Boyaval D24/113
 D815,732 S 4/2018 Mills et al.
 D816,212 S 4/2018 Daniel et al.
 D819,198 S * 5/2018 Boyaval D24/113
 D819,200 S 5/2018 Stonecipher et al.
 D819,804 S 6/2018 Knight et al.
 9,987,436 B2 6/2018 Giambattista et al.
 D822,198 S 7/2018 Stonecipher et al.
 D822,199 S 7/2018 Clawson et al.
 D823,459 S 7/2018 Bendek et al.
 D827,127 S 8/2018 Donnelly
 D827,128 S 8/2018 Boyaval et al.
 D830,539 S 10/2018 Boyaval et al.
 10,159,795 B2 * 12/2018 Cave A61M 5/20
 10,265,476 B2 4/2019 Laiosa et al.
 D851,754 S * 6/2019 Boyaval D24/113
 D857,192 S 8/2019 Burkett et al.
 D861,859 S 10/2019 Rapp et al.
 D864,378 S 10/2019 Tafazoli et al.
 D866,751 S 11/2019 Rogge et al.
 D866,752 S 11/2019 Rogge et al.
 D866,757 S 11/2019 Diluzio et al.
 D868,245 S 11/2019 Holmqvist et al.
 D868,961 S 12/2019 Stewart et al.
 D870,270 S 12/2019 Burkett et al.
 10,512,725 B1 * 12/2019 Bauss G16H 20/10
 D878,560 S * 3/2020 Boyaval D24/113
 D878,564 S 3/2020 Clawson et al.
 D878,566 S * 3/2020 Jansen D24/113
 D882,071 S * 4/2020 Stonecipher D24/113
 D883,475 S * 5/2020 Boyaval D24/117
 D884,161 S 5/2020 Stewart et al.
 D886,281 S * 6/2020 Boyaval D24/113
 D886,282 S 6/2020 Stonecipher et al.
 D892,311 S 8/2020 Nicholas et al.
 D892,312 S 8/2020 Nicholas et al.
 10,780,256 B2 9/2020 Cordoba et al.
 D898,189 S 10/2020 Boyaval et al.
 D898,900 S 10/2020 Atterbury et al.
 D922,567 S * 6/2021 Boyaval D24/113
 2004/0068283 A1 4/2004 Fukuzawa et al.
 2006/0100655 A1 5/2006 Leong et al.
 2008/0269682 A1 10/2008 Kavazov et al.
 2008/0269692 A1 10/2008 James et al.
 2012/0123350 A1 5/2012 Giambattista et al.
 2013/0060231 A1 3/2013 Adlon et al.
 2013/0211330 A1 8/2013 Pedersen et al.
 2014/0207073 A1 7/2014 Shang et al.
 2014/0221916 A1 8/2014 Kramer et al.
 2014/0221936 A1 8/2014 Edhouse et al.
 2014/0228769 A1 8/2014 Karlsson et al.
 2014/0330216 A1 11/2014 Weaver et al.
 2014/0336588 A1 11/2014 McLoughlin et al.
 2014/0343507 A1 11/2014 Karlsson et al.
 2014/0364812 A1 12/2014 Lumme et al.
 2014/0371684 A1 12/2014 Holmqvist
 2015/0190577 A1 7/2015 Shaanan et al.
 2015/0335829 A1 11/2015 Giambattista et al.
 2016/0106929 A1 4/2016 Fournier et al.
 2016/0151586 A1 6/2016 Kemp
 2016/0193413 A1 7/2016 Gabrielsson
 2016/0263325 A1 9/2016 Huthmacher et al.

2016/0303327 A1 10/2016 Moren
 2017/0128668 A1 5/2017 Miller et al.
 2017/0182242 A1 6/2017 Galitz et al.
 2018/0043101 A1 2/2018 Weaver et al.
 2018/0104413 A1 4/2018 McLoughlin et al.
 2019/0266921 A1 8/2019 Chang
 2019/0298924 A1 10/2019 Gibson et al.
 2020/0179612 A1 6/2020 Wei
 2020/0258425 A1 8/2020 Foley et al.
 2021/0093789 A1 4/2021 Plambech et al.
 2021/0093796 A1 4/2021 Finkelstein et al.
 2021/0093797 A1 4/2021 Finkelstein et al.
 2021/0121633 A1 4/2021 Finkelstein et al.

FOREIGN PATENT DOCUMENTS

CN	302858428 S	6/2014
CN	304223460 S	7/2017
GB	6133354	* 4/2021
IL	67773	* 3/2021
RU	100256 U1	12/2010
RU	100299 U1	12/2010
TW	D179360	11/2016
TW	D179362	11/2016

OTHER PUBLICATIONS

Roy, Anitha et al, "Autoinjector—A smart device for emergency cum personal therapy", audi Pharmaceutical Journal, [Post date: Oct. 2021], [Site seen May 3, 2022], seen at URL: <https://www.sciencedirect.com/science/article/pii/S1319016421001821> (Year: 2021).*

BD Vystra Disposable Pen, BD.com, [Post date: Jan. 9, 2019], [Site seen May 3, 2022], Seen at URL: <https://drugdeliversystems.bd.com/products/self-injection-systems/vystra-disposable-pen> (Year: 2019).*

Auto Injectors, Pen Injectors and Inhaler Systems, Pharmaceutical Technology, [post date: unknown], [Site seen May 3, 2022], Seen at URL: <https://www.pharmaceutical-technology.com/contractors/drug-delivery/shl-group/> (Year: 2022).*

Industrial Design DM/092744, Millennium Pharmaceuticals, Inc., Registration date Sep. 6, 2016.

Internet publication <https://www.youtube.com/watch?v=VbGb5lt9n80>, dated Sep. 30, 2014.

Office Action and Search Report for Taiwan application No. 1066305338, dated Mar. 26, 2018.

Office Action, Israel Design Office, Application No. 60912, dated Mar. 4, 2018.

McGowan, 30 Years in the Making—An Inside Perspective on the Emergency of Autoinjectors, ONdrugDelivery Magazine, Issue 101, pp. 20-23 (Oct. 2019).

U.S. Appl. No. 29/773,601, Requirement for Restriction/Election, dated Jun. 22, 2022.

U.S. Appl. No. 29/773,604, Requirement for Restriction/Election, dated Jun. 22, 2022.

* cited by examiner

Primary Examiner — Natasha Vujcic
Assistant Examiner — Gilbert B Ford
 (74) *Attorney, Agent, or Firm* — Marshall, Gerstein & Borun LLP

(57) **CLAIM**

We claim, the ornamental design for a handheld drug delivery device, as shown and described.

DESCRIPTION

The patent or application file contains at least one drawing executed in color. Copies of this patent or patent application

publication with color drawing(s) will be provided by the Office upon request and payment of the necessary fee.

FIG. 1 is a perspective view showing a first embodiment for a handheld drug delivery device;

FIG. 2 is a front view of the handheld drug delivery device of FIG. 1;

FIG. 3 is a rear view of the handheld drug delivery device of FIG. 1;

FIG. 4 is a right-side view of the handheld drug delivery device of FIG. 1;

FIG. 5 is a left-side view of the handheld drug delivery device of FIG. 1;

FIG. 6 is a top view of the handheld drug delivery device of FIG. 1;

FIG. 7 is a bottom view of the handheld drug delivery device of FIG. 1;

FIG. 8 is a perspective view of the handheld drug delivery device of FIG. 1 with its cap removed;

FIG. 9 is a perspective view showing a second embodiment for a handheld drug delivery device;

FIG. 10 is a front view of the handheld drug delivery device of FIG. 9;

FIG. 11 is a rear view of the handheld drug delivery device of FIG. 9;

FIG. 12 is a right-side view of the handheld drug delivery device of FIG. 9;

FIG. 13 is a left-side view of the handheld drug delivery device of FIG. 9;

FIG. 14 is a top view of the handheld drug delivery device of FIG. 9;

FIG. 15 is a bottom view of the handheld drug delivery device of FIG. 9;

FIG. 16 is a perspective view of the handheld drug delivery device of FIG. 9 with its cap removed;

FIG. 17 is a perspective view showing a third embodiment for a handheld drug delivery device;

FIG. 18 is a front view of the handheld drug delivery device of FIG. 17;

FIG. 19 is a rear view of the handheld drug delivery device of FIG. 17;

FIG. 20 is a right-side view of the handheld drug delivery device of FIG. 17;

FIG. 21 is a left-side view of the handheld drug delivery device of FIG. 17;

FIG. 22 is a top view of the handheld drug delivery device of FIG. 17;

FIG. 23 is a bottom view of the handheld drug delivery device of FIG. 17;

FIG. 24 is a perspective view of the handheld drug delivery device of FIG. 17 with its cap removed;

FIG. 25 is a perspective view showing a fourth embodiment for a handheld drug delivery device;

FIG. 26 is a front view of the handheld drug delivery device of FIG. 25;

FIG. 27 is a rear view of the handheld drug delivery device of FIG. 25;

FIG. 28 is a right-side view of the handheld drug delivery device of FIG. 25;

FIG. 29 is a left-side view of the handheld drug delivery device of FIG. 25;

FIG. 30 is a top view of the handheld drug delivery device of FIG. 25;

FIG. 31 is a bottom view of the handheld drug delivery device of FIG. 25; and,

FIG. 32 is a perspective view of the handheld drug delivery device of FIG. 25 with its cap removed.

The broken lines show portions of the handheld drug delivery device that form no part of the claimed design.

**1 Claim, 20 Drawing Sheets
(5 of 20 Drawing Sheet(s) Filed in Color)**

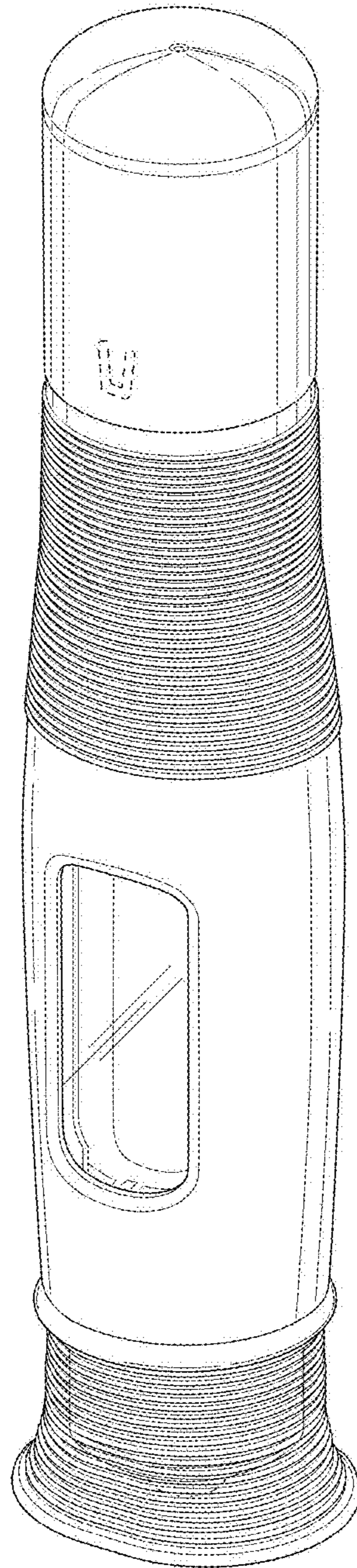


FIG. 1

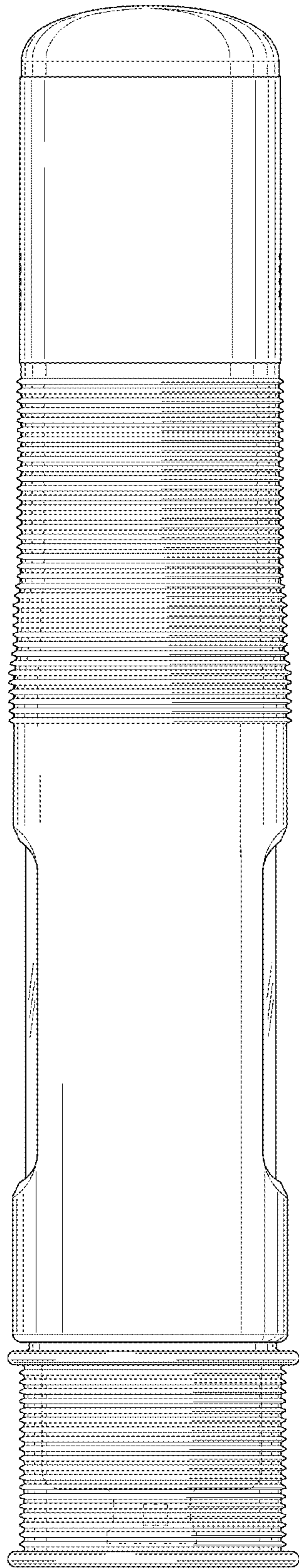


FIG. 2

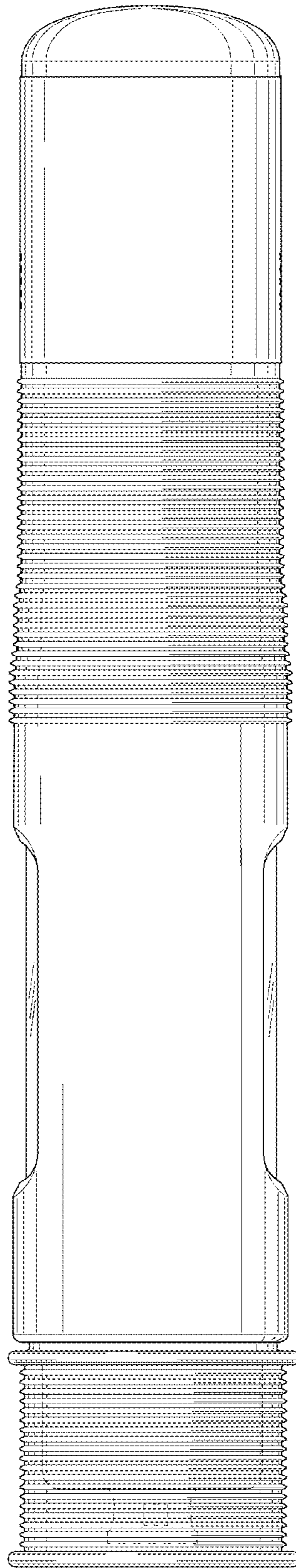


FIG. 3

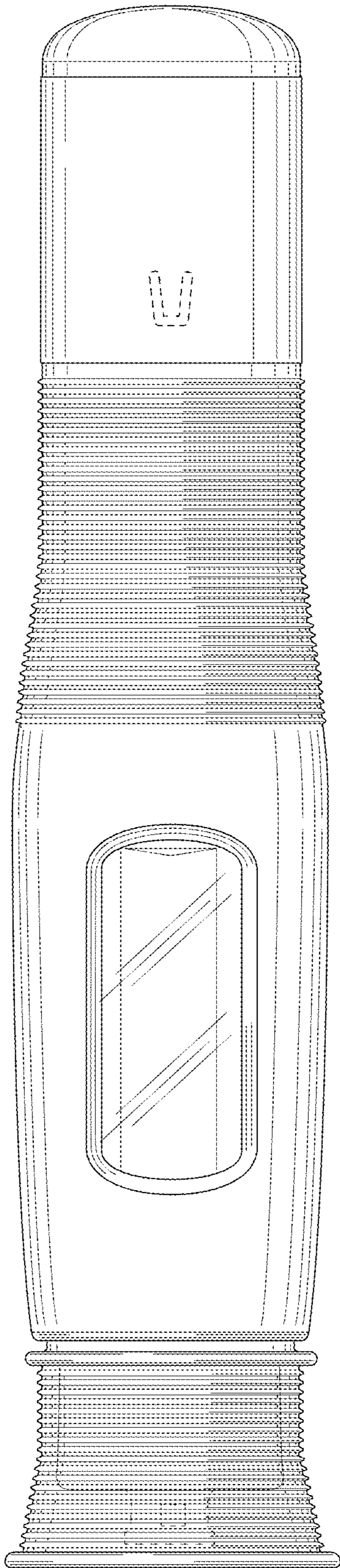


FIG. 4

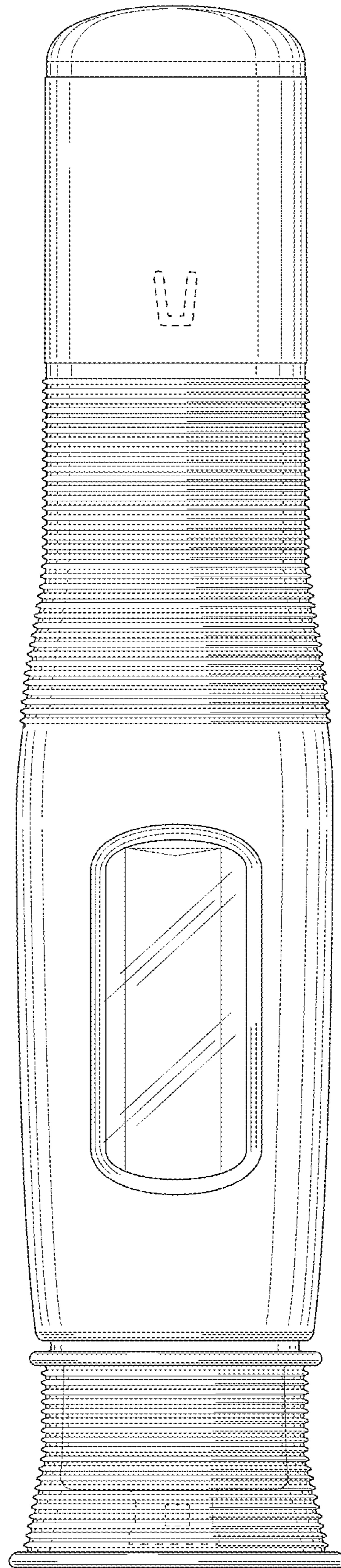


FIG. 5

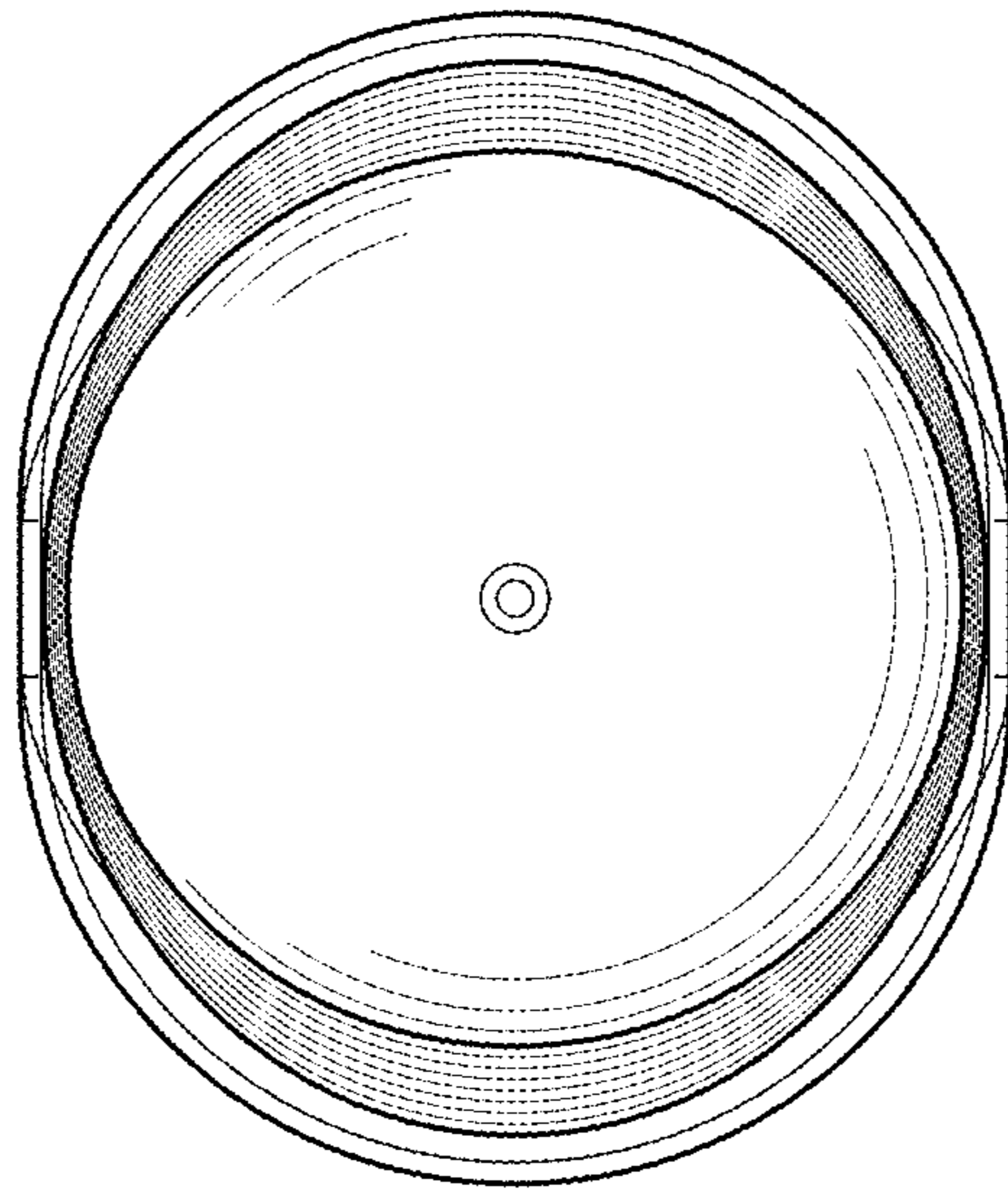


FIG. 6

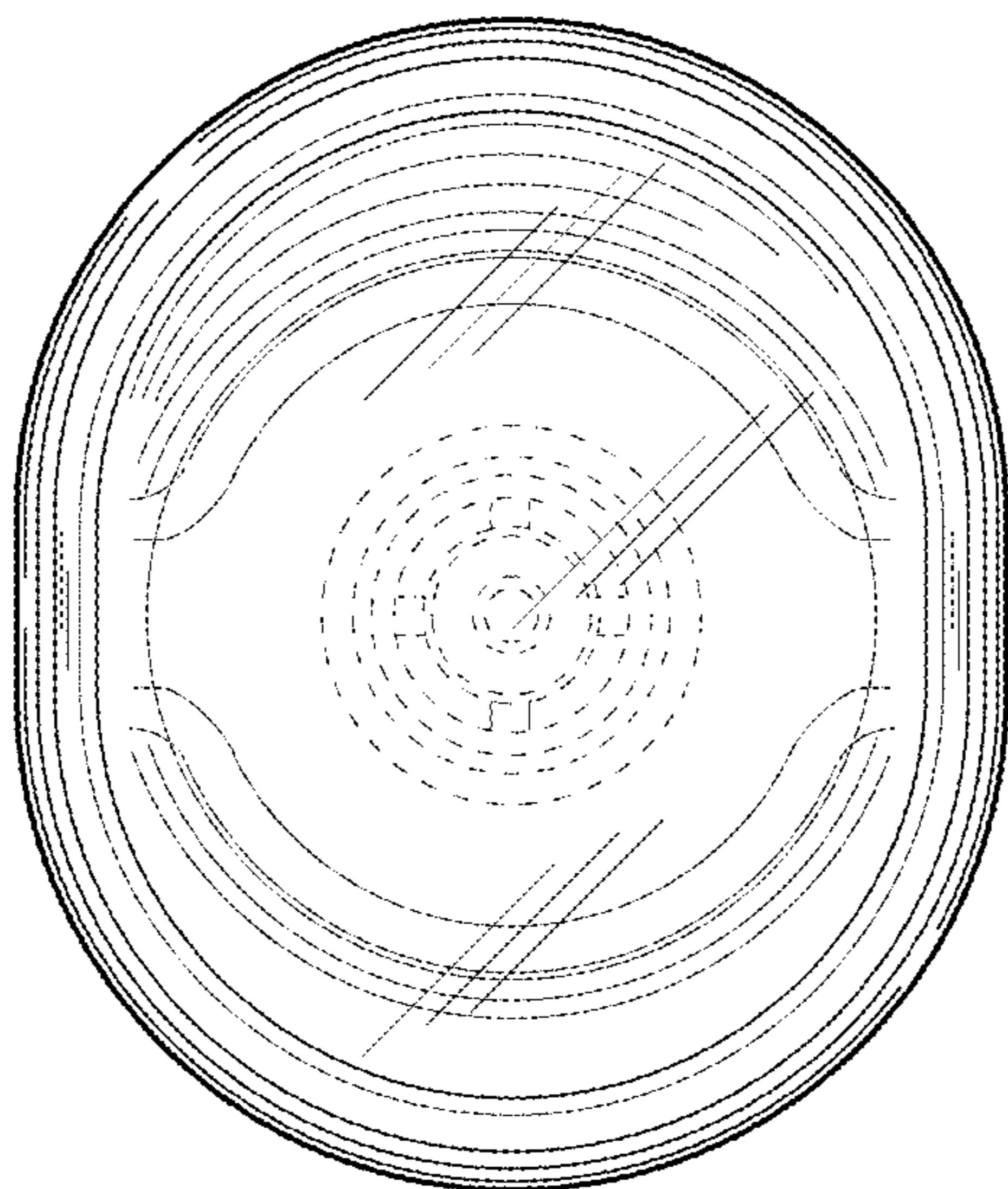


FIG. 7

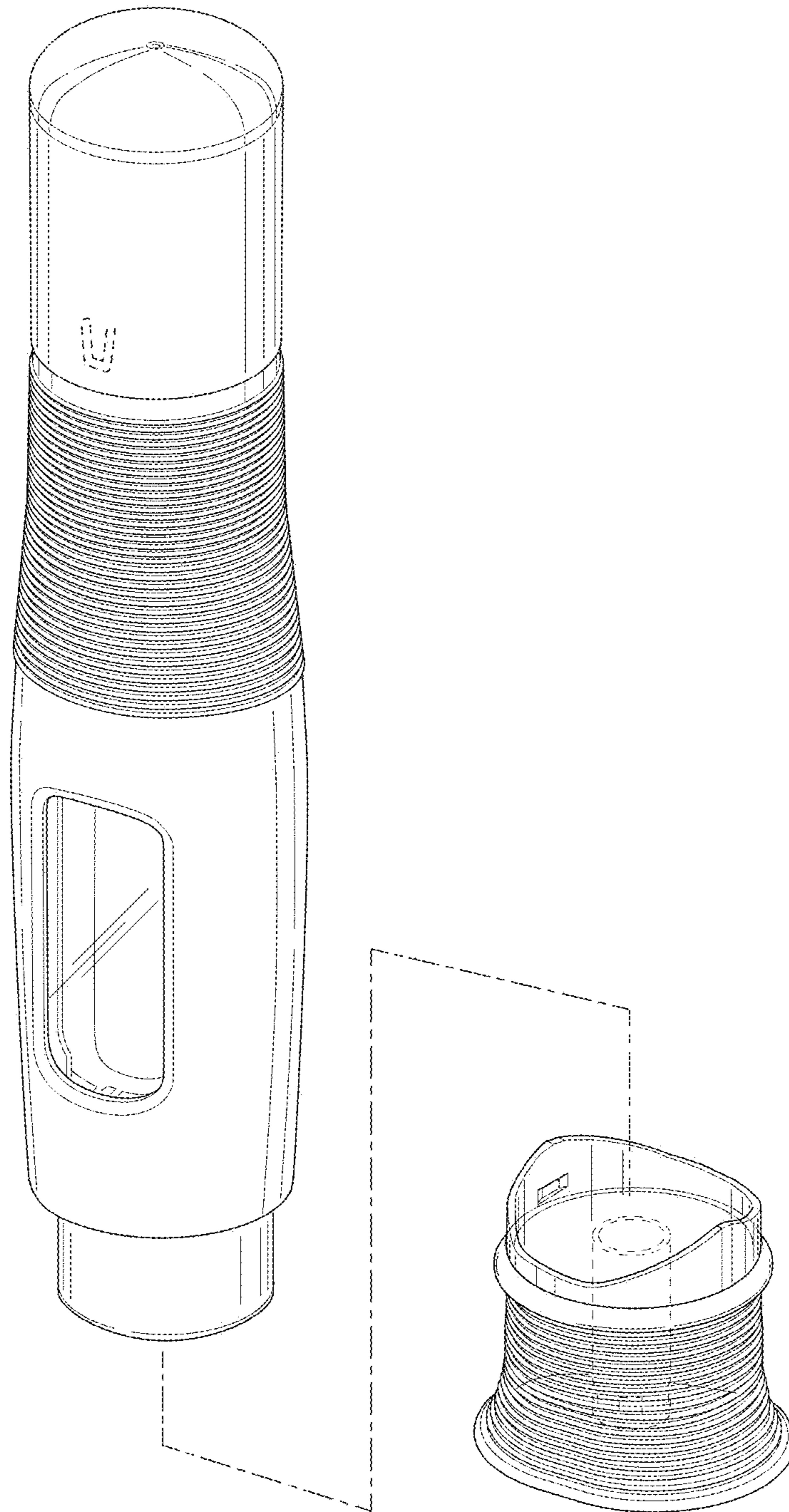


FIG. 8

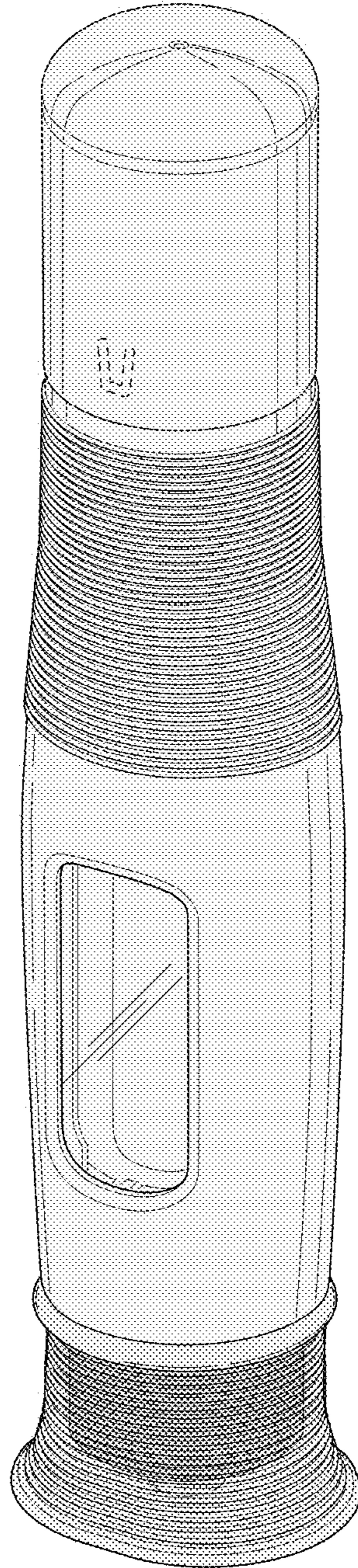


FIG. 9

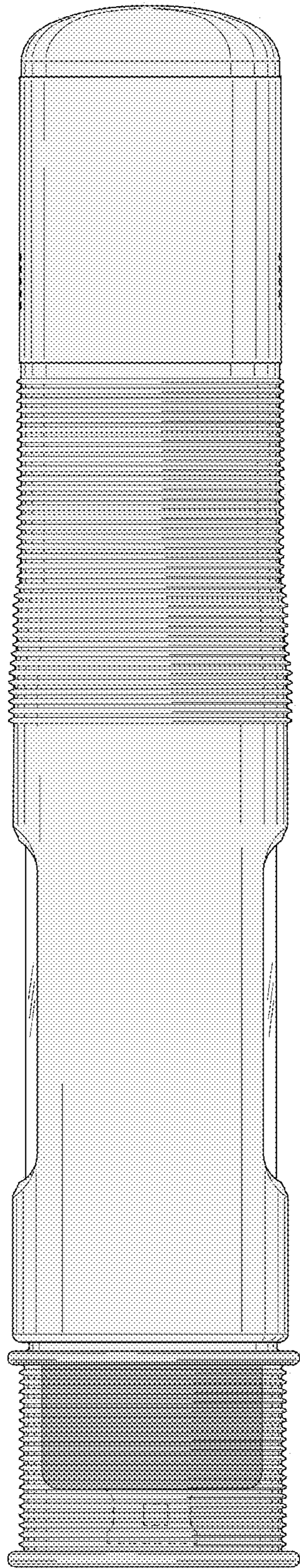


FIG. 10

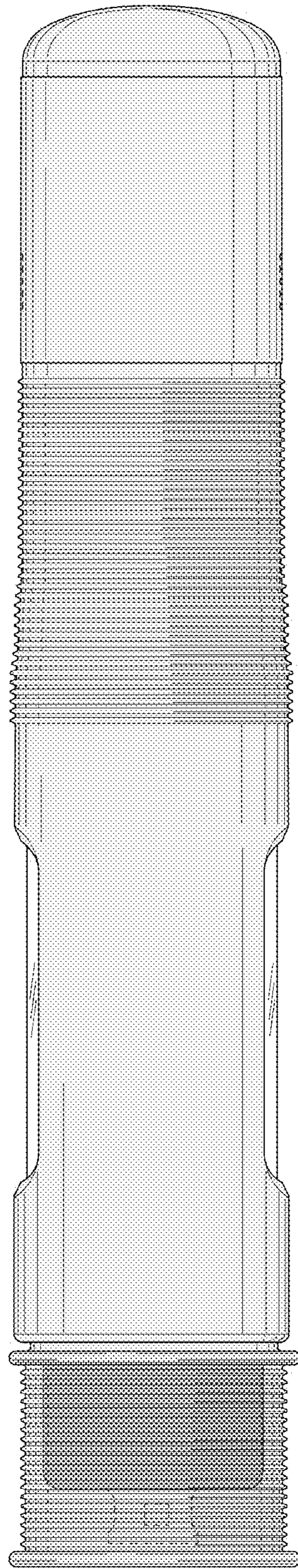


FIG. 11

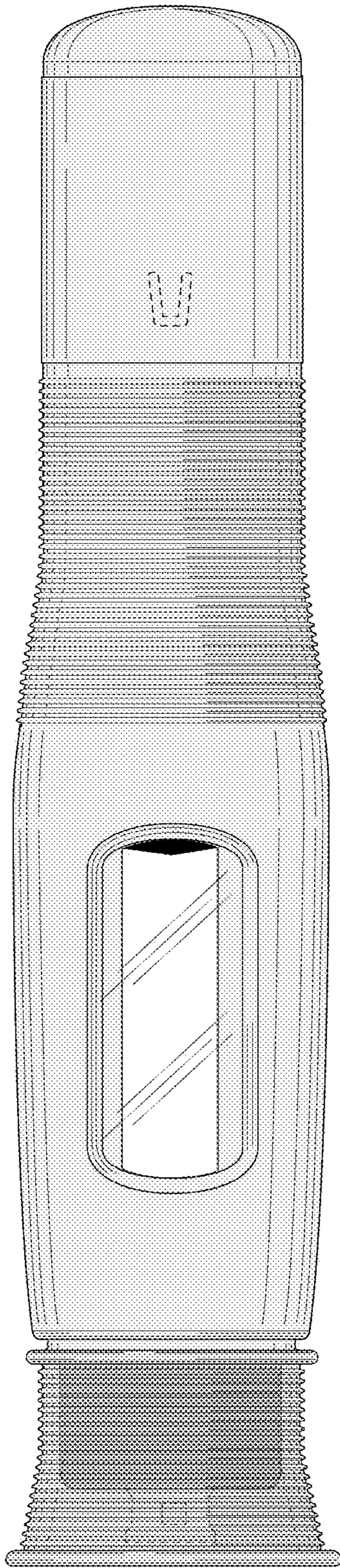


FIG. 12

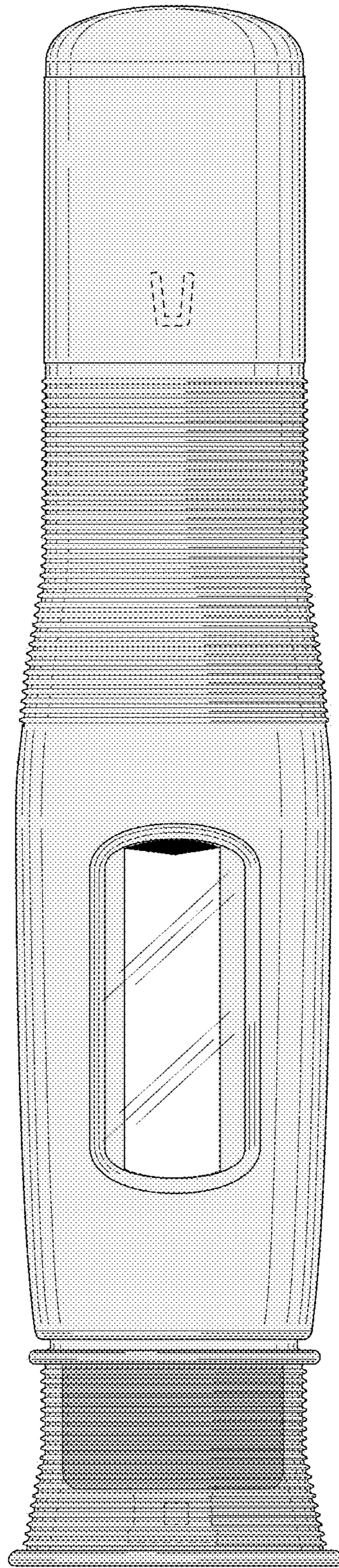


FIG. 13

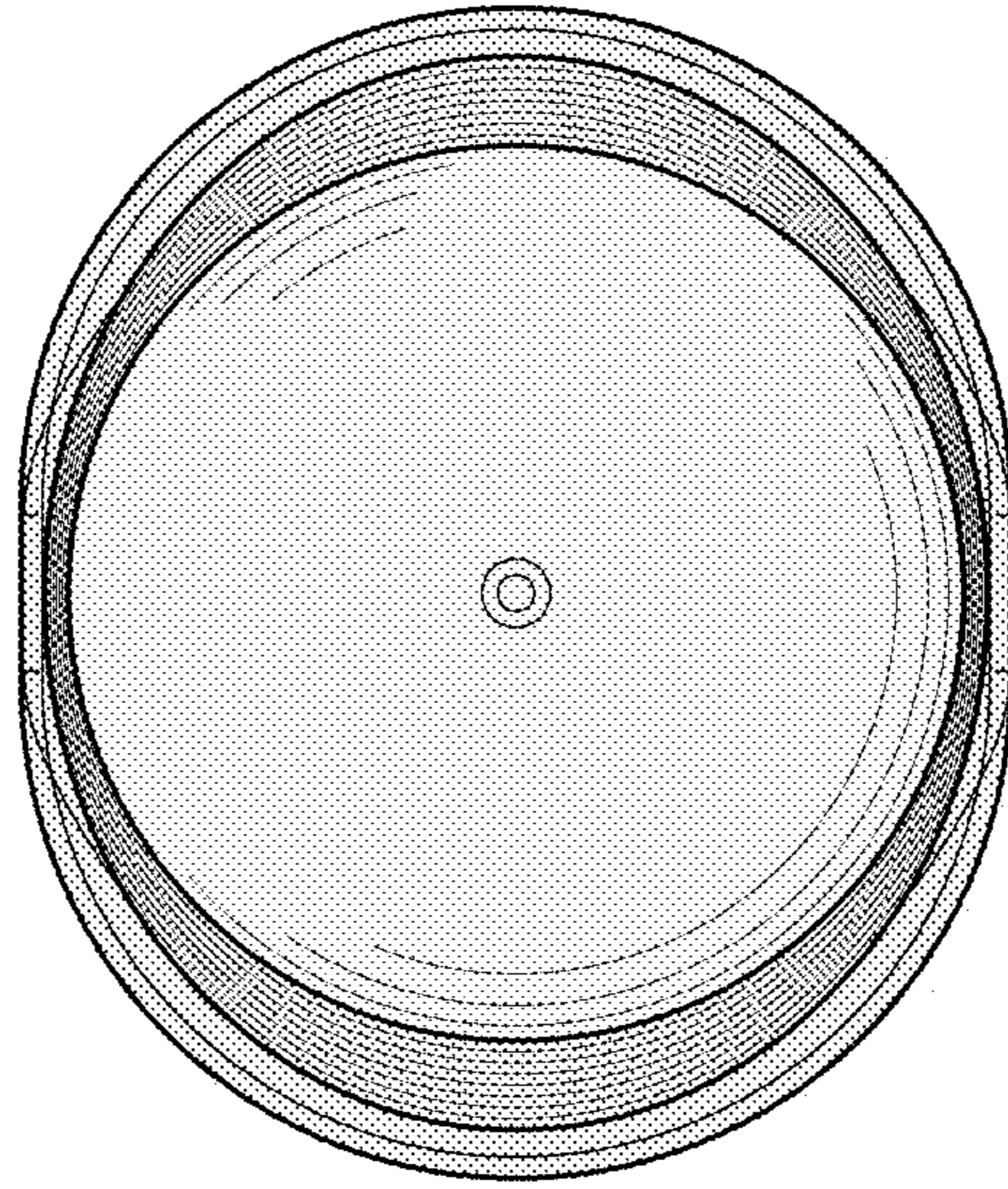


FIG. 14

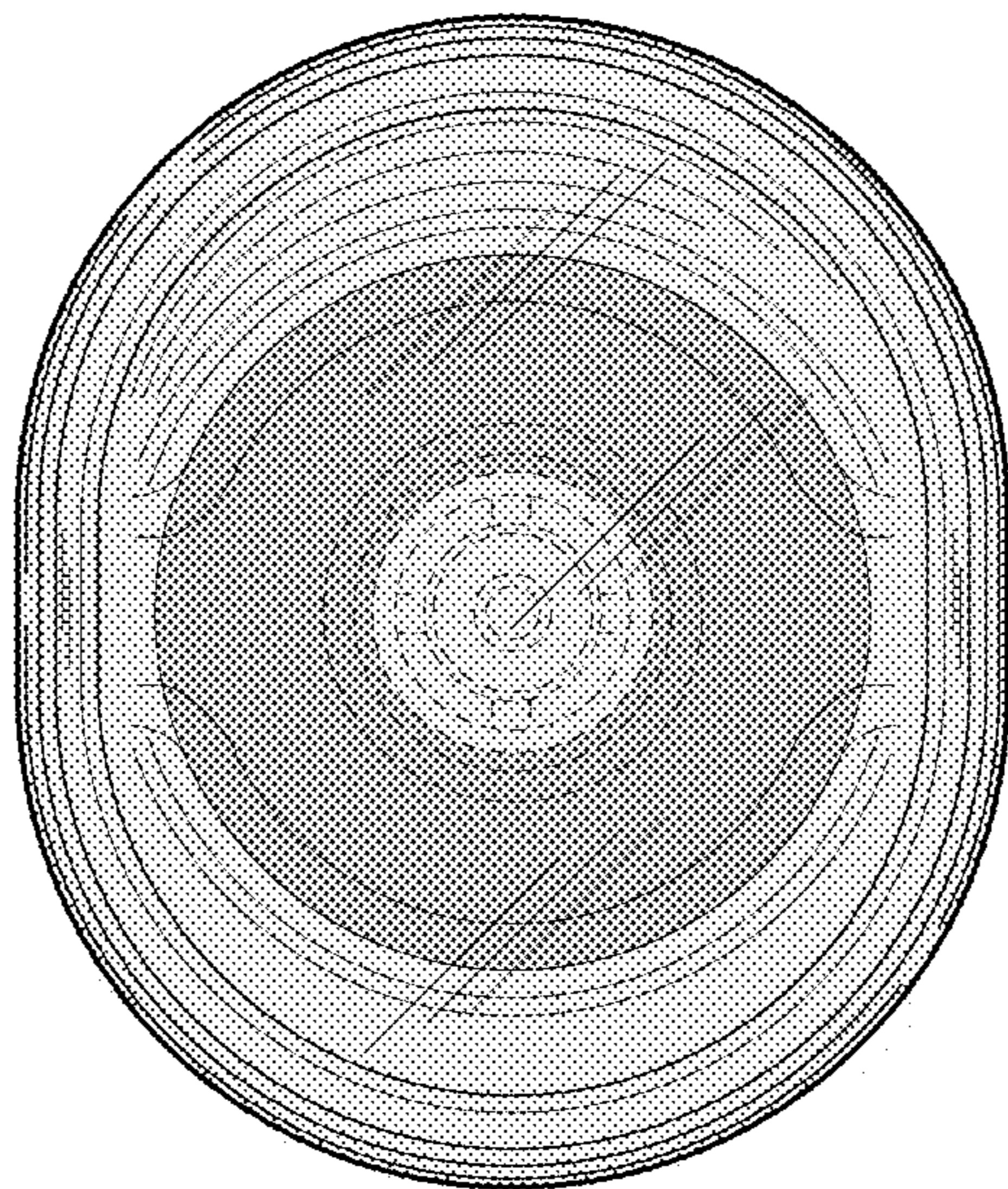


FIG. 15

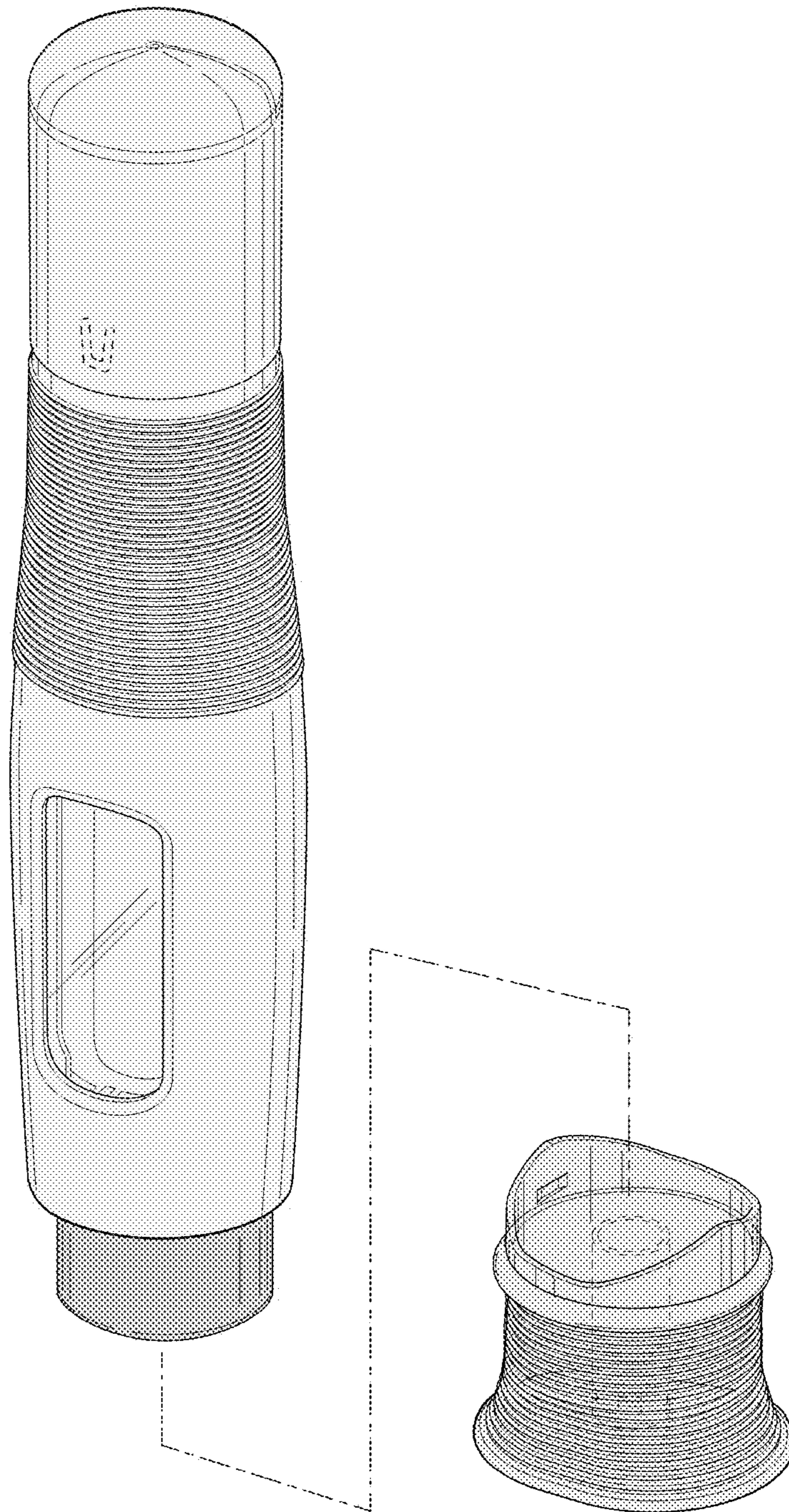


FIG. 16

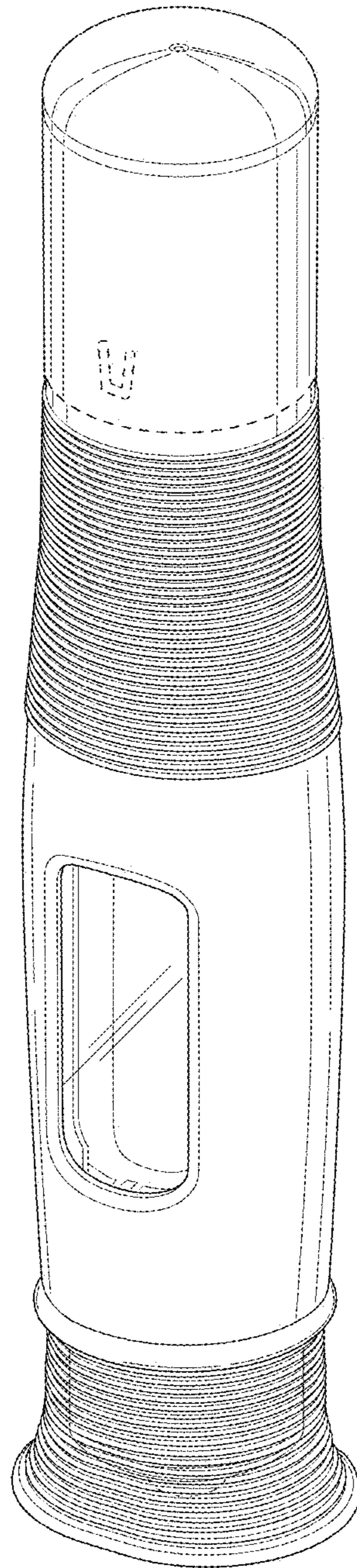


FIG. 17

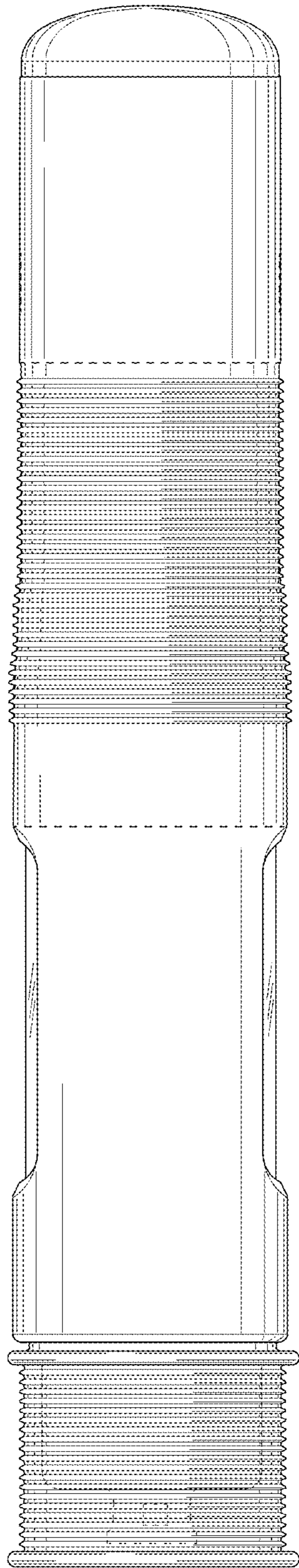


FIG. 18

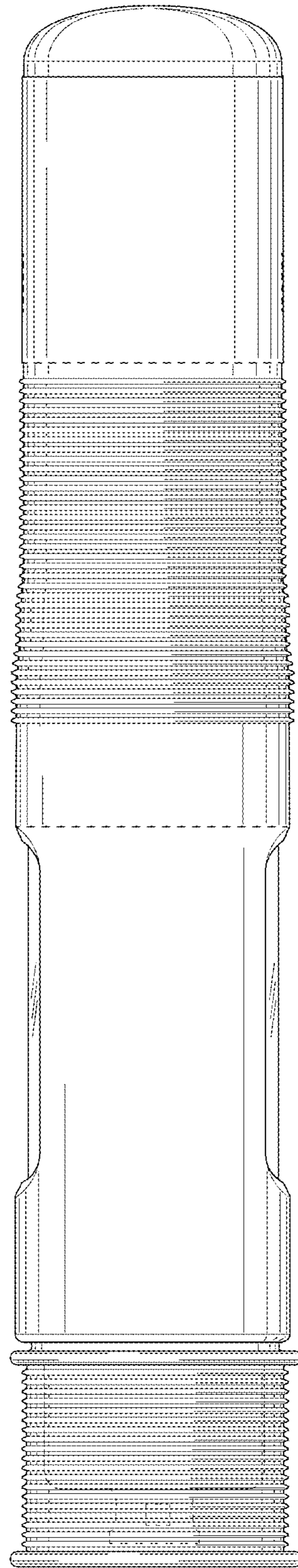


FIG. 19

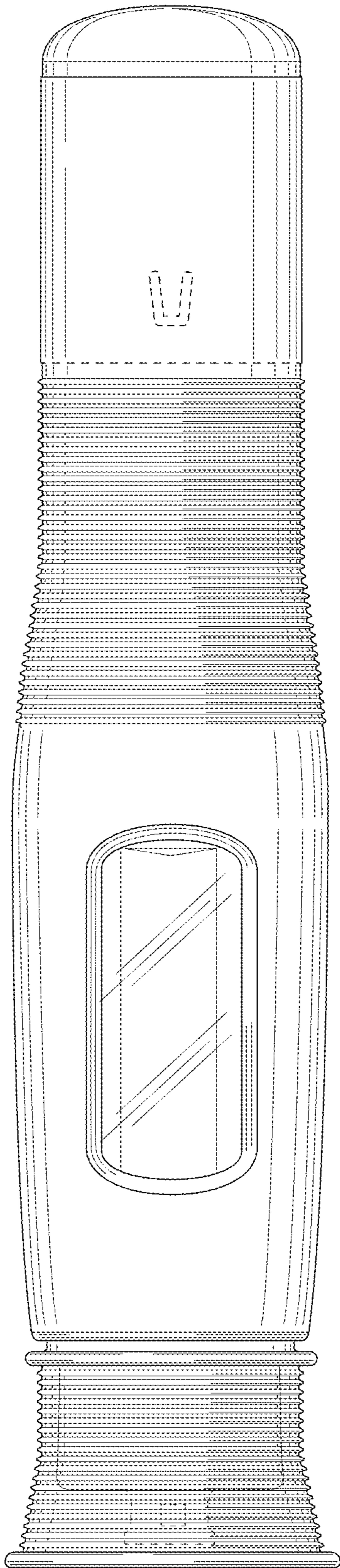


FIG. 20

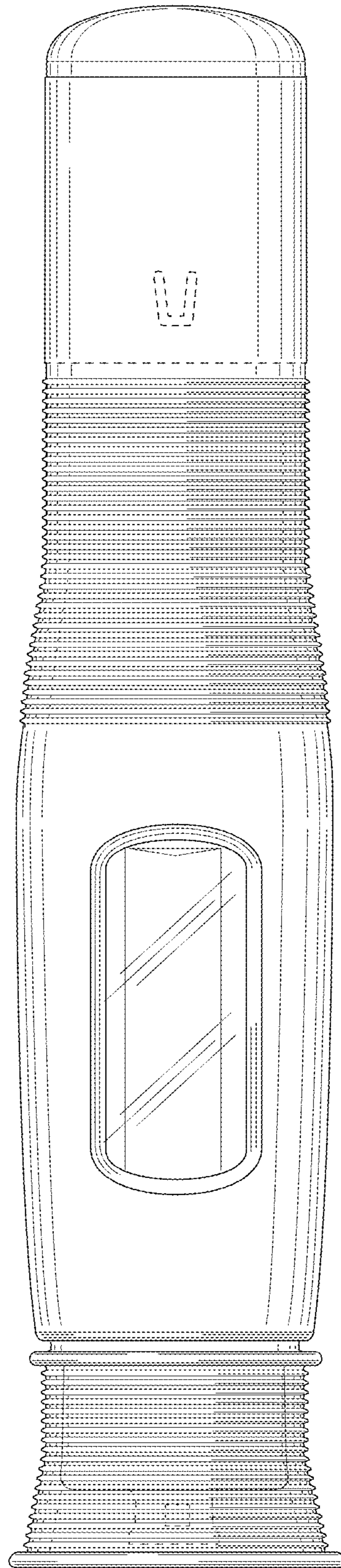


FIG. 21

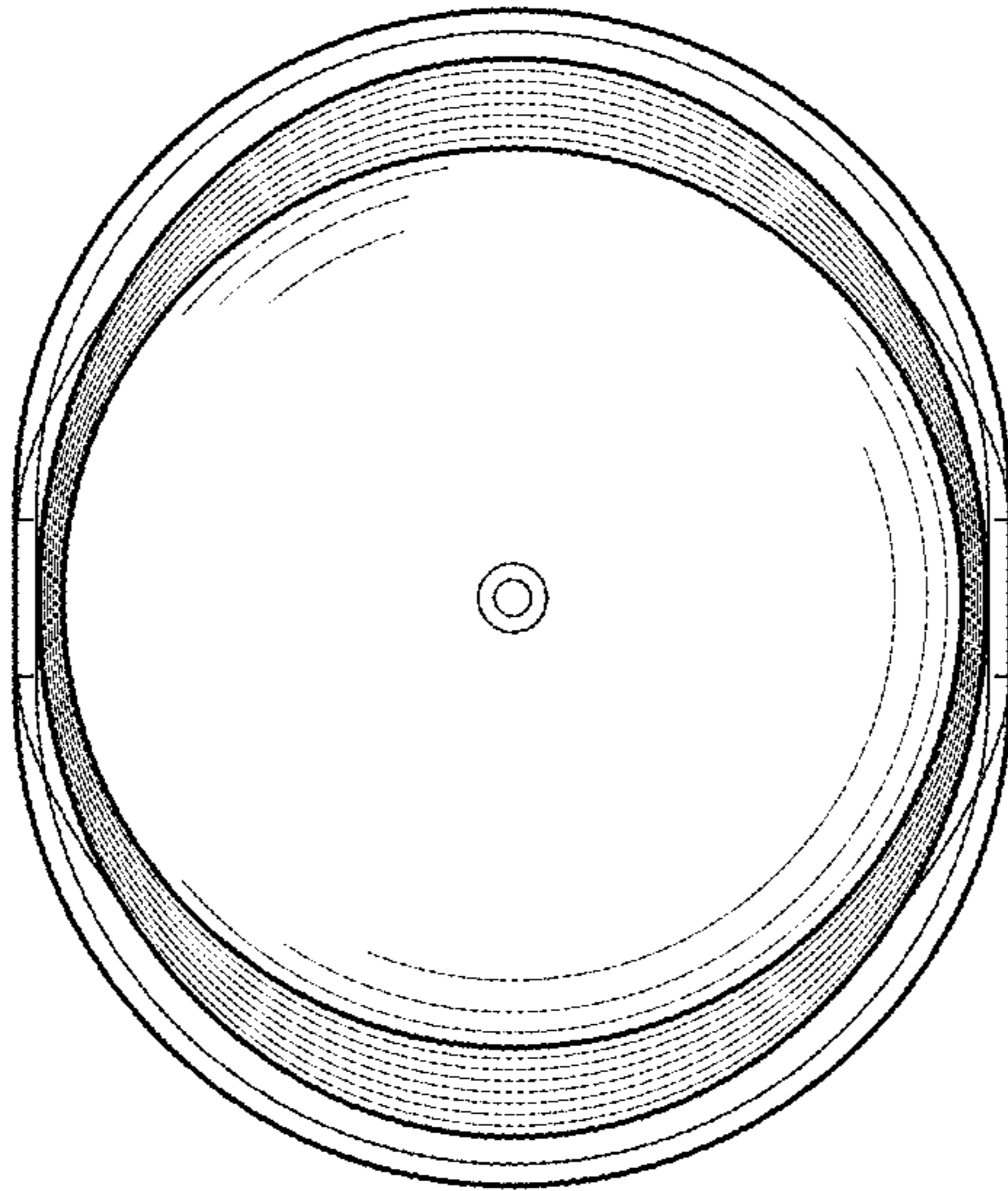


FIG. 22

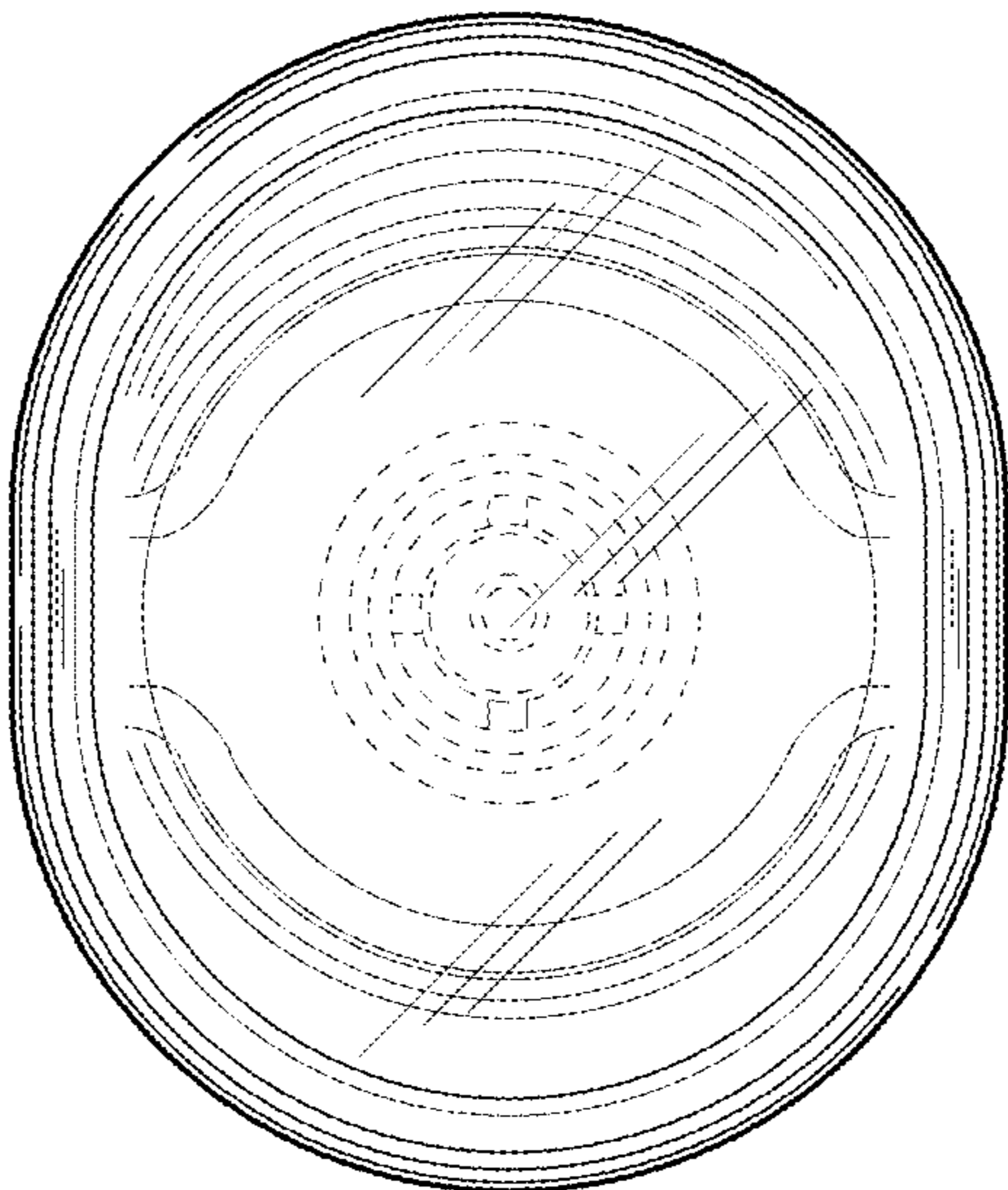


FIG. 23

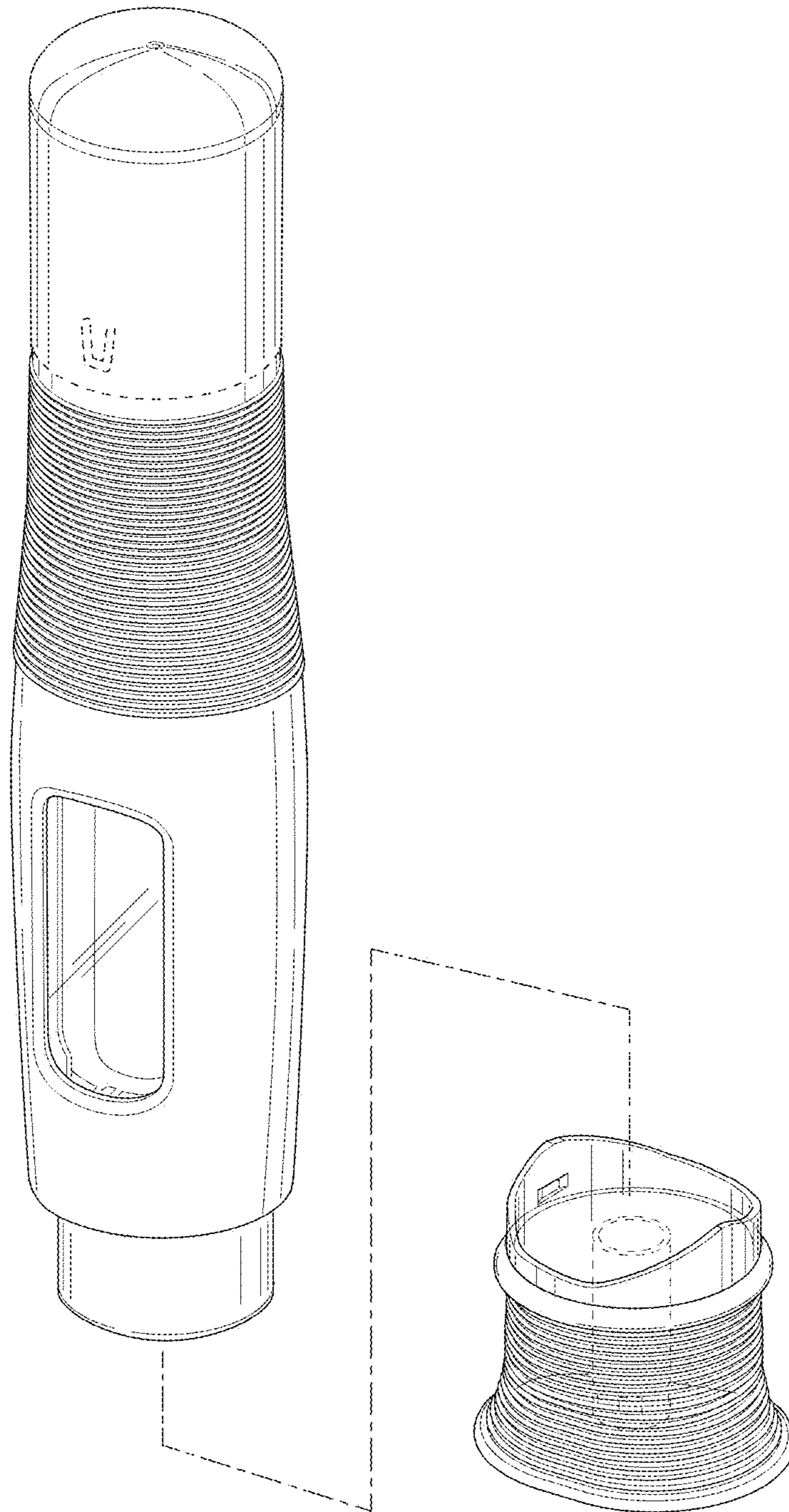


FIG. 24

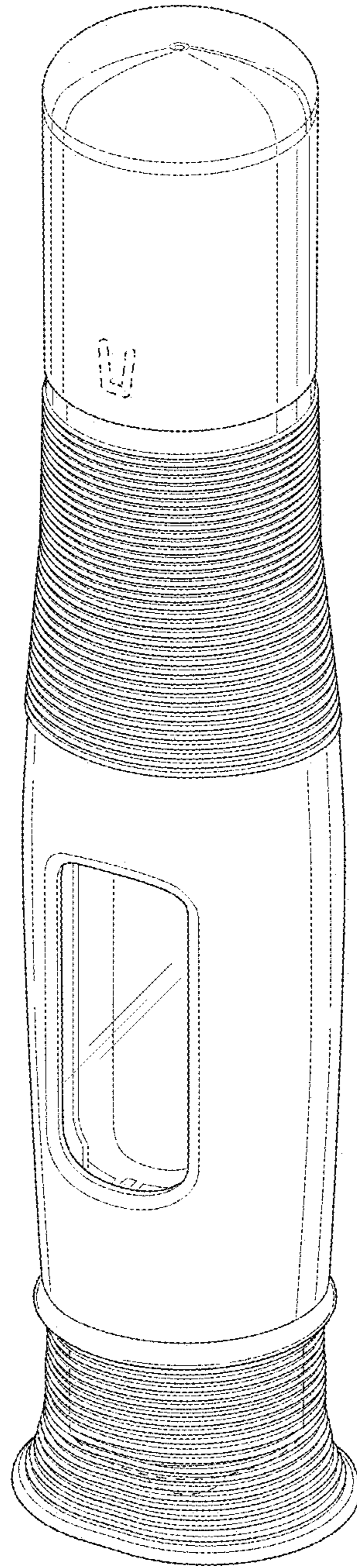


FIG. 25

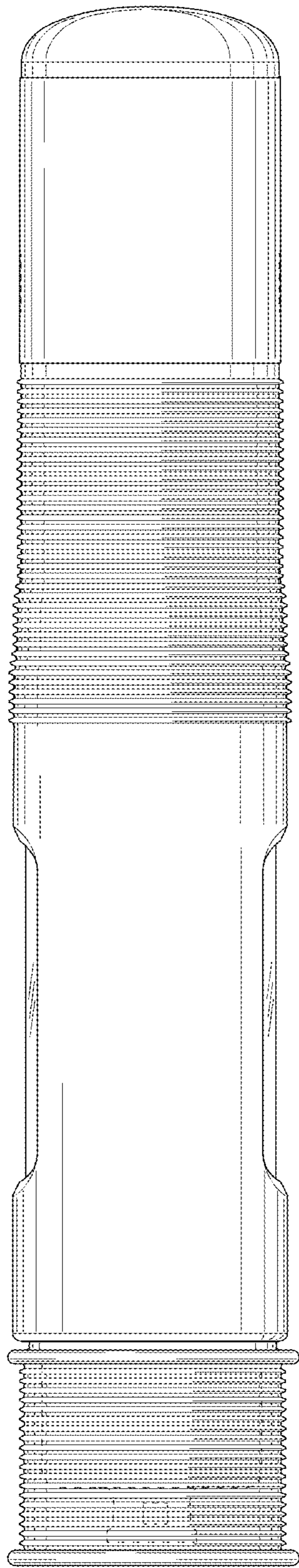


FIG. 26

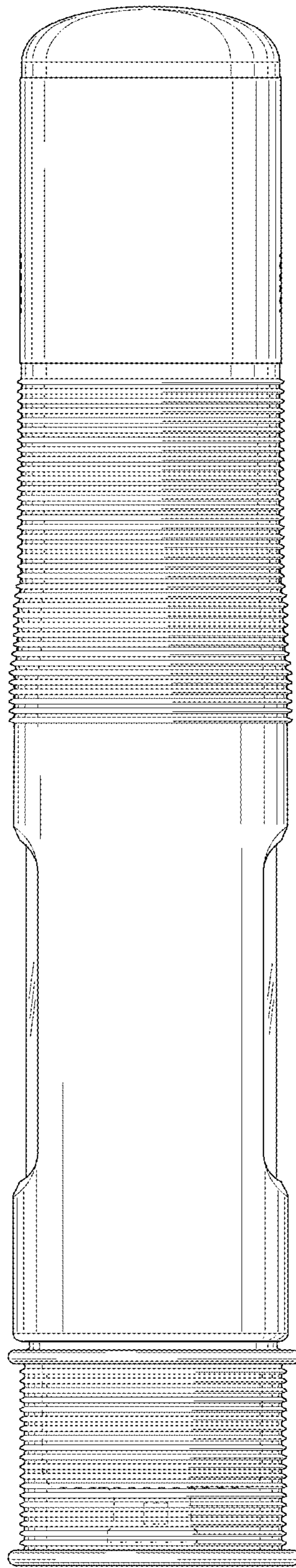


FIG. 27

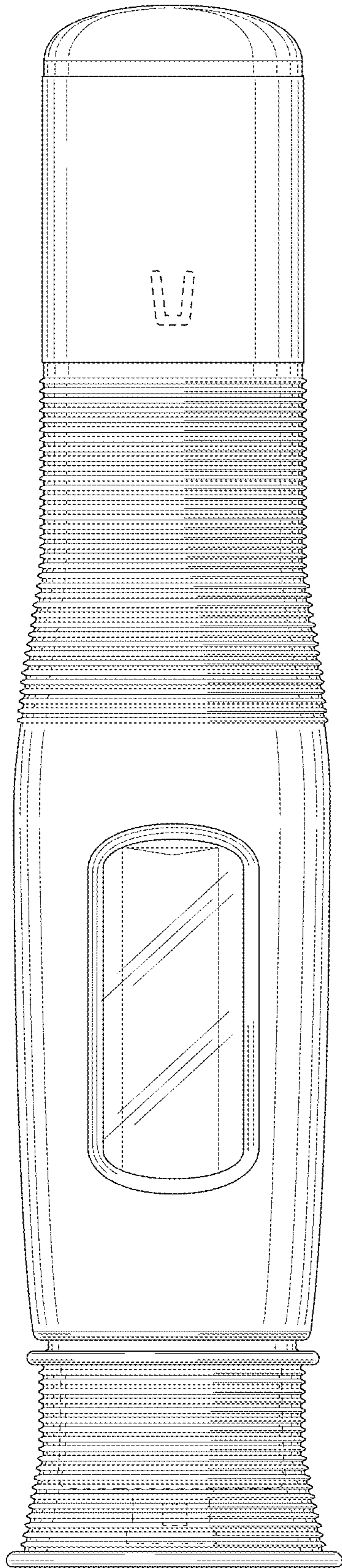


FIG. 28

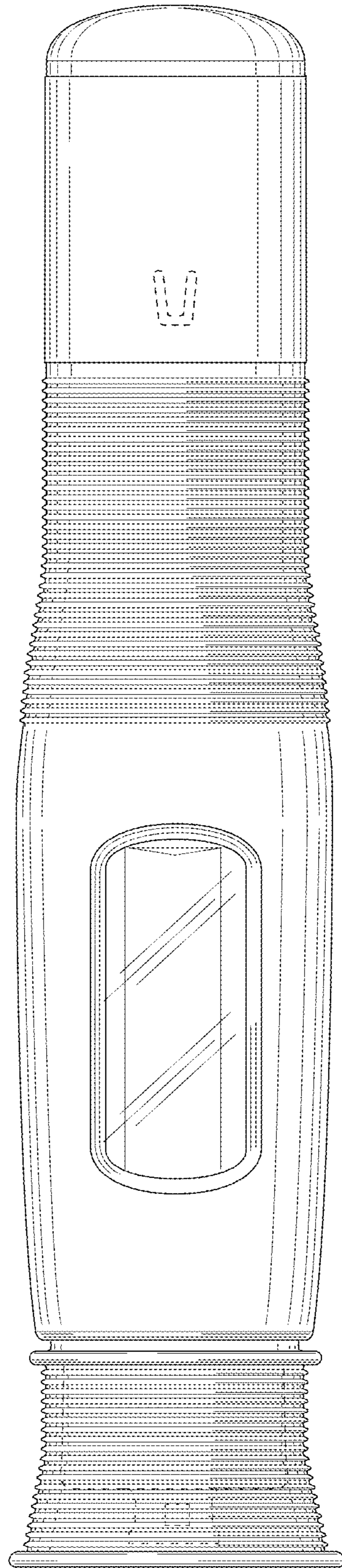


FIG. 29

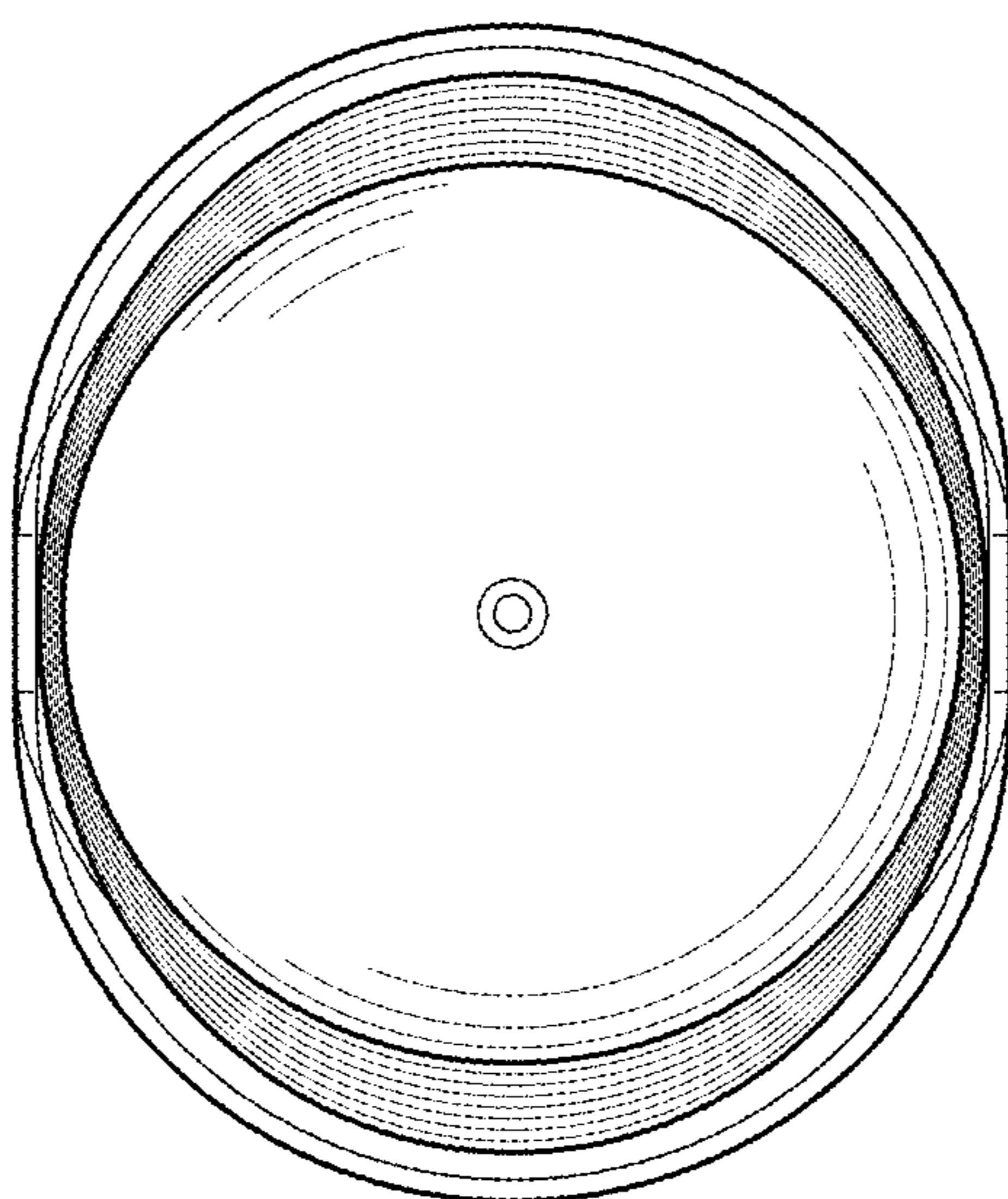


FIG. 30

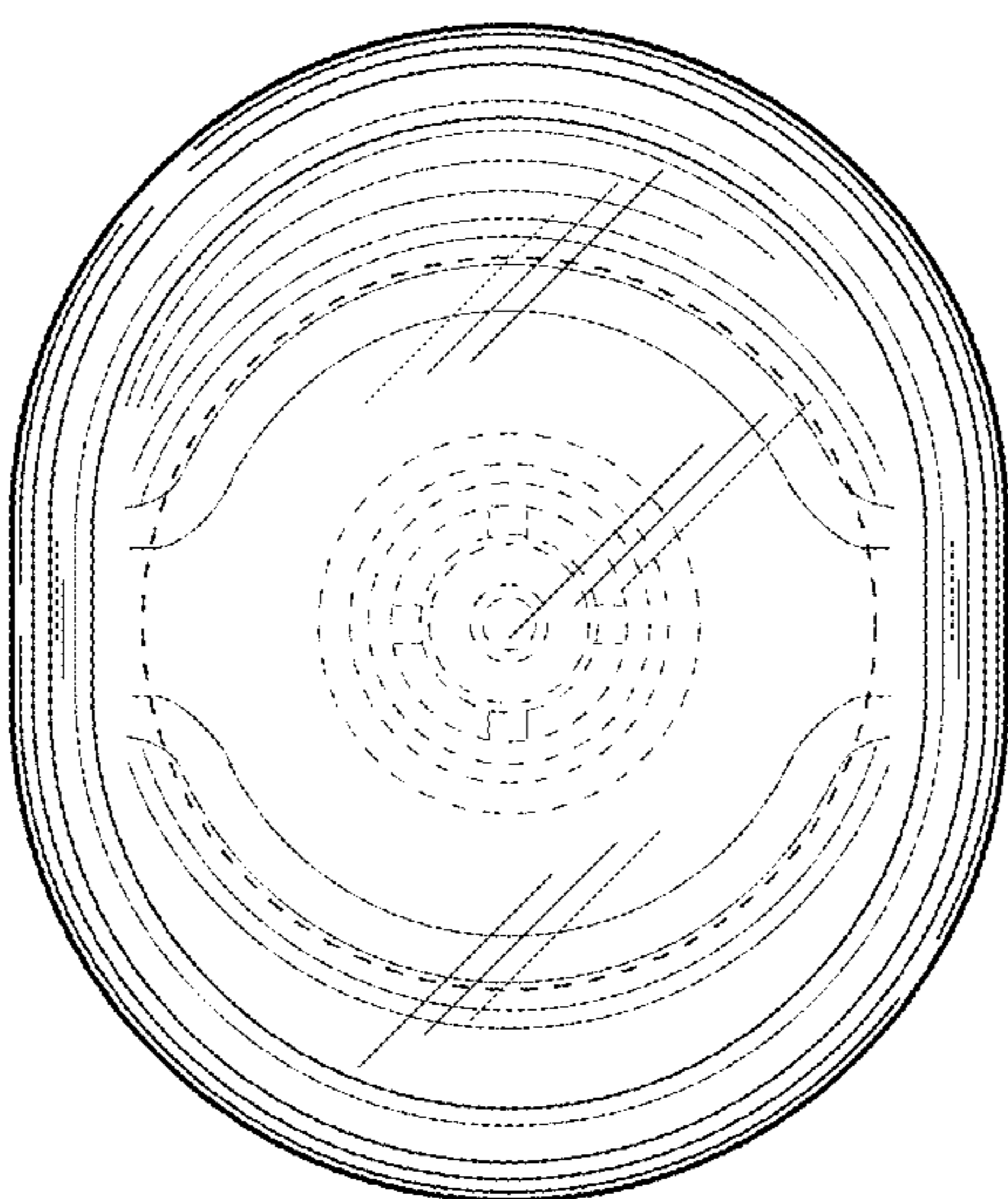


FIG. 31

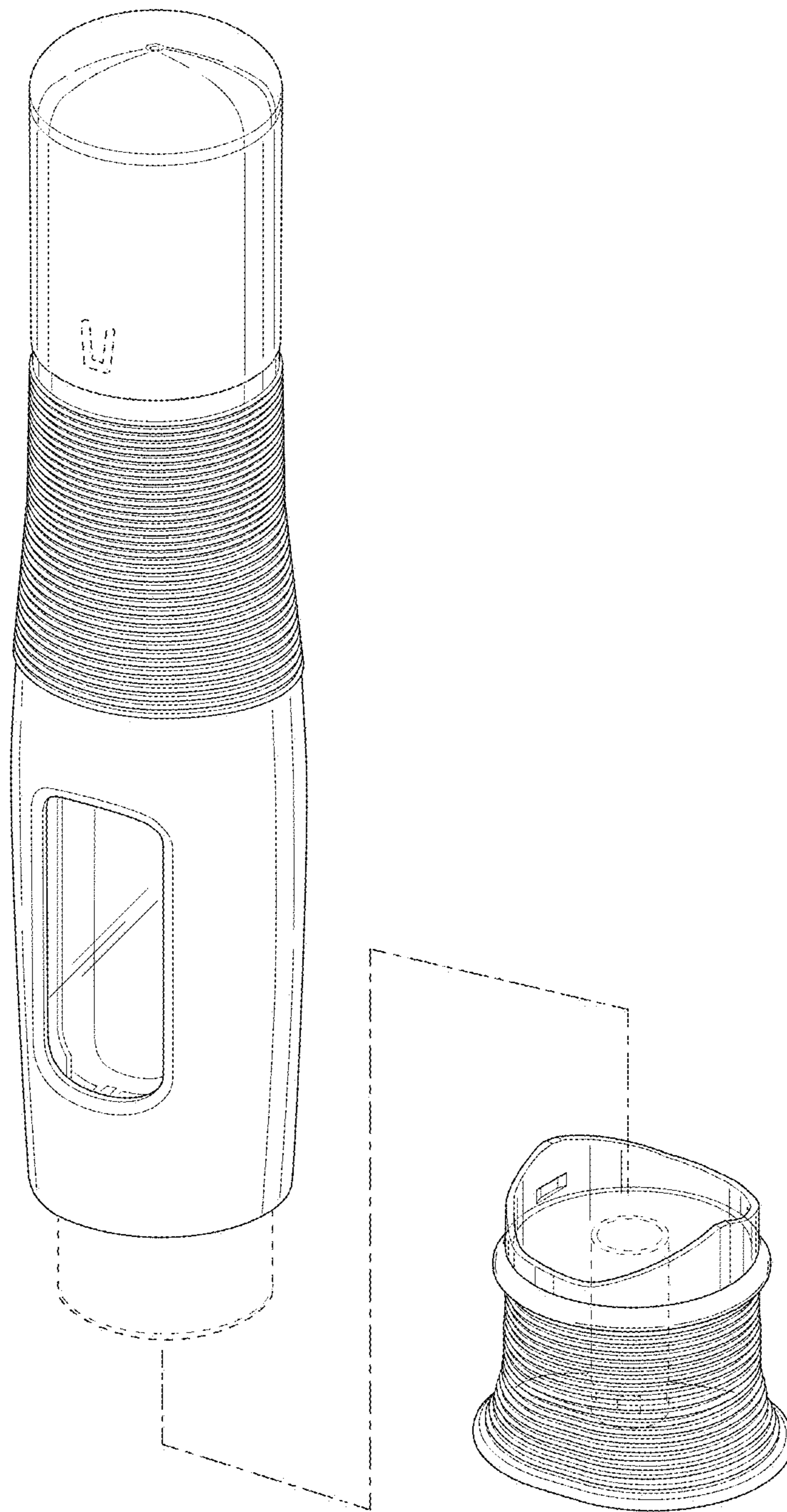


FIG. 32