

US00D962421S

(12) **United States Design Patent**
Kim

(10) **Patent No.:** **US D962,421 S**

(45) **Date of Patent:** **** Aug. 30, 2022**

(54) **BREATHING MASK**

(71) Applicant: **Byoung Woo Kim**, Busan (KR)

(72) Inventor: **Byoung Woo Kim**, Busan (KR)

(**) Term: **15 Years**

(21) Appl. No.: **35/511,311**

(22) Filed: **Jul. 30, 2020**

(80) **Hague Agreement Data**

Int. Filing Date: **Jul. 30, 2020**

Int. Reg. No.: **DM/209636**

Int. Reg. Date: **Jul. 30, 2020**

Int. Reg. Pub. Date: **Feb. 5, 2021**

(30) **Foreign Application Priority Data**

May 27, 2020 (KR) 30-2020-0023509

(51) **LOC (13) Cl.** **29-02**

(52) **U.S. Cl.**
USPC **D24/110.1**

(58) **Field of Classification Search**

USPC D24/110.1, 112, 130, 110.2-110.4, 127,
D24/162, 164; D29/102, 110, 129,
D29/104-108; D8/391; D10/124;
D11/7, 19, 40, 43, 80; D19/108,
D19/115-117; D21/707, 717, 718, 739,
D21/840; D22/115, 116; D25/38.1, 42,
D25/61, 126-129

CPC A41D 13/1161; A41D 13/1192; A41D
13/1107; A41D 31/305; B32B 5/024;
B32B 5/26; D06H 7/22; A62B 23/025

See application file for complete search history.

(56) **References Cited**

U.S. PATENT DOCUMENTS

18,457 A * 10/1857 King B21D 53/36
470/160
797,494 A * 8/1905 Chase F16B 15/02
411/481

D39,998 S * 5/1909 Lachman et al. D25/38.1
1,469,500 A * 10/1923 De Long B23B 3/00
82/157
D85,683 S * 12/1931 Budlong D10/124
1,955,232 A * 4/1934 Gallaway G02C 7/16
2/10
2,218,545 A * 10/1940 Morten H02G 3/06
439/213
D125,658 S * 3/1941 Haes D10/22
D131,048 S * 1/1942 Yotte D10/124
D135,662 S * 5/1943 Matignon D8/391
D136,949 S * 1/1944 Cooke D25/127
2,452,432 A * 10/1948 Collins H01B 13/008
264/281
D158,051 S * 4/1950 Compas D19/66

(Continued)

OTHER PUBLICATIONS

Bon Appetit. Toothpicks Are the Only Cake Testers You Need. Mar. 31, 2020. <https://www.bonappetit.com/story/toothpicks-beat-cake-testers> (Year: 2020).*

(Continued)

Primary Examiner — Darcey E Gottschalk

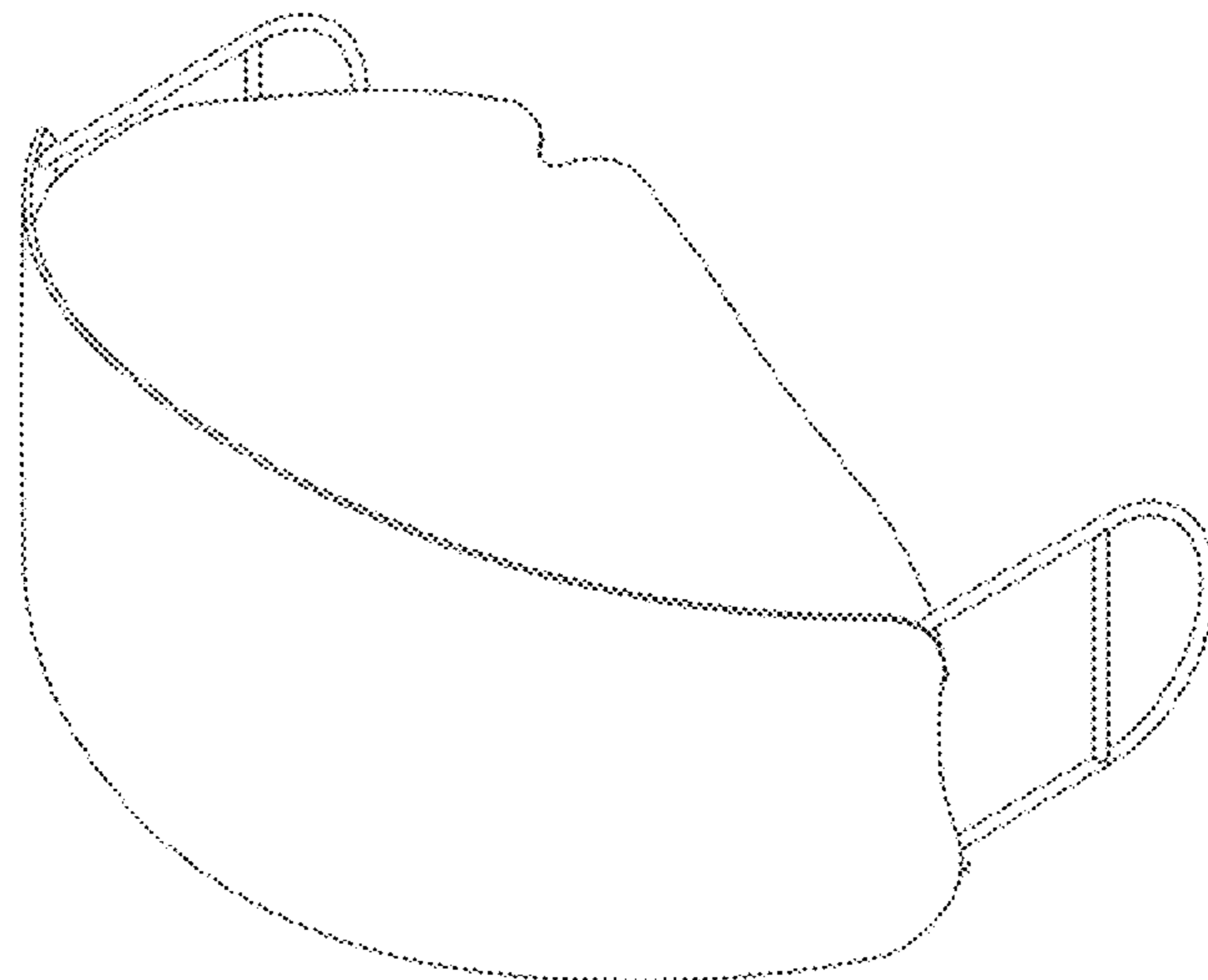
(57) **CLAIM**

The ornamental design for a breathing mask, as shown and described.

DESCRIPTION

- 1. Breathing mask
- 1.1 : Perspective
- 1.2 : Front
- 1.3 : Back
- 1.4 : Left
- 1.5 : Right
- 1.6 : Top
- 1.7 : Bottom

1 Claim, 7 Drawing Sheets



(56)

References Cited

U.S. PATENT DOCUMENTS

2,642,872 A * 6/1953 Parker A44C 7/001
606/188
D172,953 S * 9/1954 Dorman D11/1
2,762,368 A * 9/1956 Bloomfield A41D 13/1184
D24/110.2
2,830,587 A * 4/1958 Everett A61M 5/3286
604/272
3,019,686 A * 2/1962 Behrle F16B 15/00
411/469
D210,181 S * 2/1968 Solomon D28/44.2
3,416,821 A * 12/1968 Benno F16B 15/0038
411/458
D215,854 S * 11/1969 Tilley D25/126
3,672,783 A * 6/1972 Bajusz B43K 24/06
401/116
D241,343 S * 9/1976 Harmon D19/59
D256,052 S * 7/1980 De Vaughn D24/112
D273,144 S * 3/1984 Jankewitz D19/117
D290,470 S * 6/1987 Green D19/108
D300,246 S * 3/1989 Brown D24/112
5,314,427 A * 5/1994 Goble A61B 17/0642
411/457
D368,329 S * 3/1996 Parada D29/112
5,712,939 A * 1/1998 Shahid G02B 6/3885
385/78
D418,049 S * 12/1999 Brown, III D8/391
D443,927 S * 6/2001 Chen D24/110.1
D448,472 S * 9/2001 Chen D24/110.1
6,508,727 B1 * 1/2003 Su A63B 57/10
473/387
D497,387 S * 10/2004 Cetera D14/411
D536,786 S * 2/2007 Schreiner D24/112
D543,638 S * 5/2007 Mertins D25/38.1
D546,441 S * 7/2007 Hitchcock D24/110.1
D618,088 S * 6/2010 Gaylor D8/391
D629,293 S * 12/2010 DuFour D8/388
7,850,379 B2 * 12/2010 Knapton B43K 19/02
401/34
D642,654 S * 8/2011 Paulin D25/38.1
D646,380 S * 10/2011 Gebrewold D24/110.1
D663,004 S * 7/2012 Isringhausen D22/107

D665,536 S * 8/2012 Jenke D29/108
D678,507 S * 3/2013 Duffy D24/110.1
D686,778 S * 7/2013 Isobe D29/110
D716,871 S * 11/2014 Chang D19/117
D776,257 S * 1/2017 Remer D24/110.1
D817,165 S * 5/2018 Ng D8/391
D822,203 S * 7/2018 Leuschner D24/130
D825,660 S * 8/2018 Hung D19/117
D834,179 S * 11/2018 Smith D24/110.1
D843,201 S * 3/2019 Morey D8/391
D847,985 S * 5/2019 Neff D24/130
D848,026 S * 5/2019 Lawson D25/38.1
D867,839 S * 11/2019 DeFries B25B 9/00
D8/26
D880,998 S * 4/2020 Kilgore D8/391
D907,201 S * 1/2021 Pichot A61M 5/3293
D24/130
D910,241 S * 2/2021 Koefeld D29/110
D916,280 S * 4/2021 Swift A61M 1/0058
D24/130
D918,383 S * 5/2021 Kim D24/112
D923,728 S * 6/2021 Yoon D21/718
D928,304 S * 8/2021 Yu D24/110.1
D939,945 S * 1/2022 Schwartz D8/391
D949,326 S * 4/2022 Anshu D29/108
D949,327 S * 4/2022 Park D24/110.1
D949,328 S * 4/2022 Boyé D24/110.1
D950,707 S * 5/2022 Coates D29/108
2021/0162243 A1 * 6/2021 Yang A62B 23/025
2021/0316173 A1 * 10/2021 Elsherif A41D 27/20
2021/0401083 A1 * 12/2021 Wolf A41D 13/1161

OTHER PUBLICATIONS

Youtube. ARK's Chewth Pick® Chewable Toothpicks. Nov. 10, 2021. <https://www.youtube.com/watch?v=LfiPG2AEycg> (Year: 2021).*

Knit Picks. Knitting in the Round with 2 Circular Needles. Dec. 17, 2009. <https://tutorials.knitpicks.com/knitting-in-the-round-with-2-circular-needles/> (Year: 2009).*

Amazon. Royal Wood Sandwich Picks, Package of 750. Jan. 7, 2016. <https://www.amazon.com/Royal-Wood-Sandwich-Picks-Package/dp/B01AB061FG> (Year: 2016).*

* cited by examiner

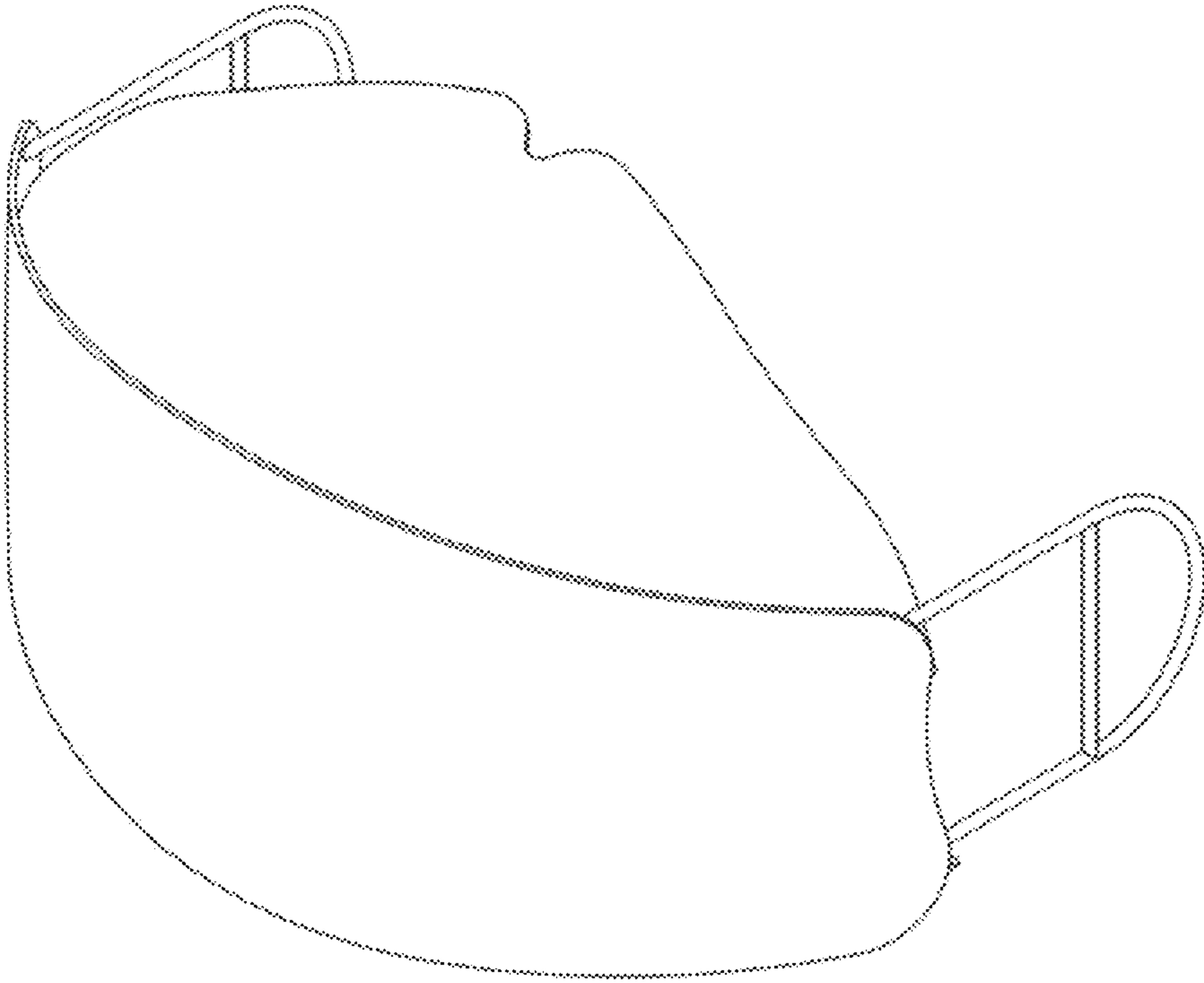


FIG. 1.1

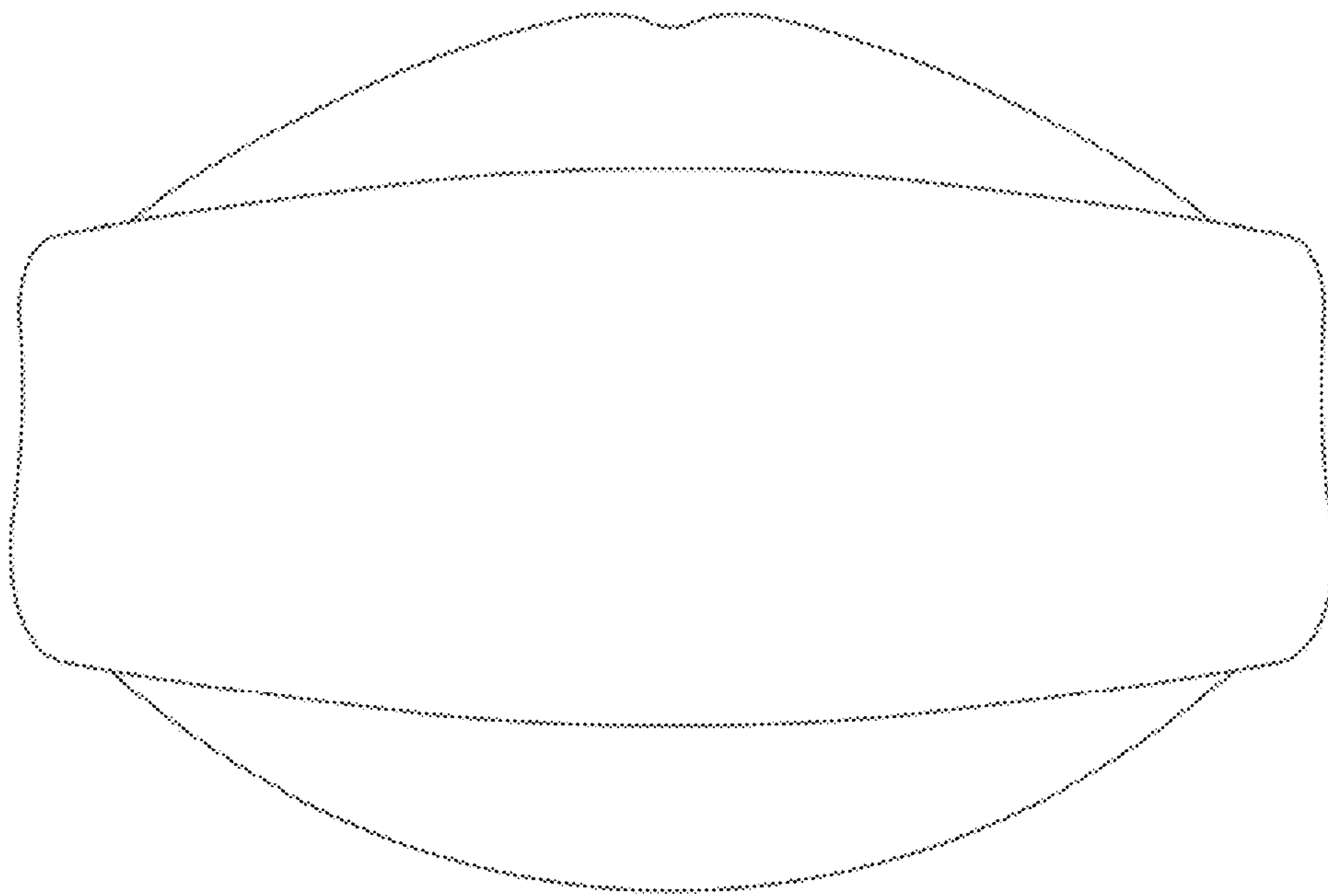


FIG. 1.2

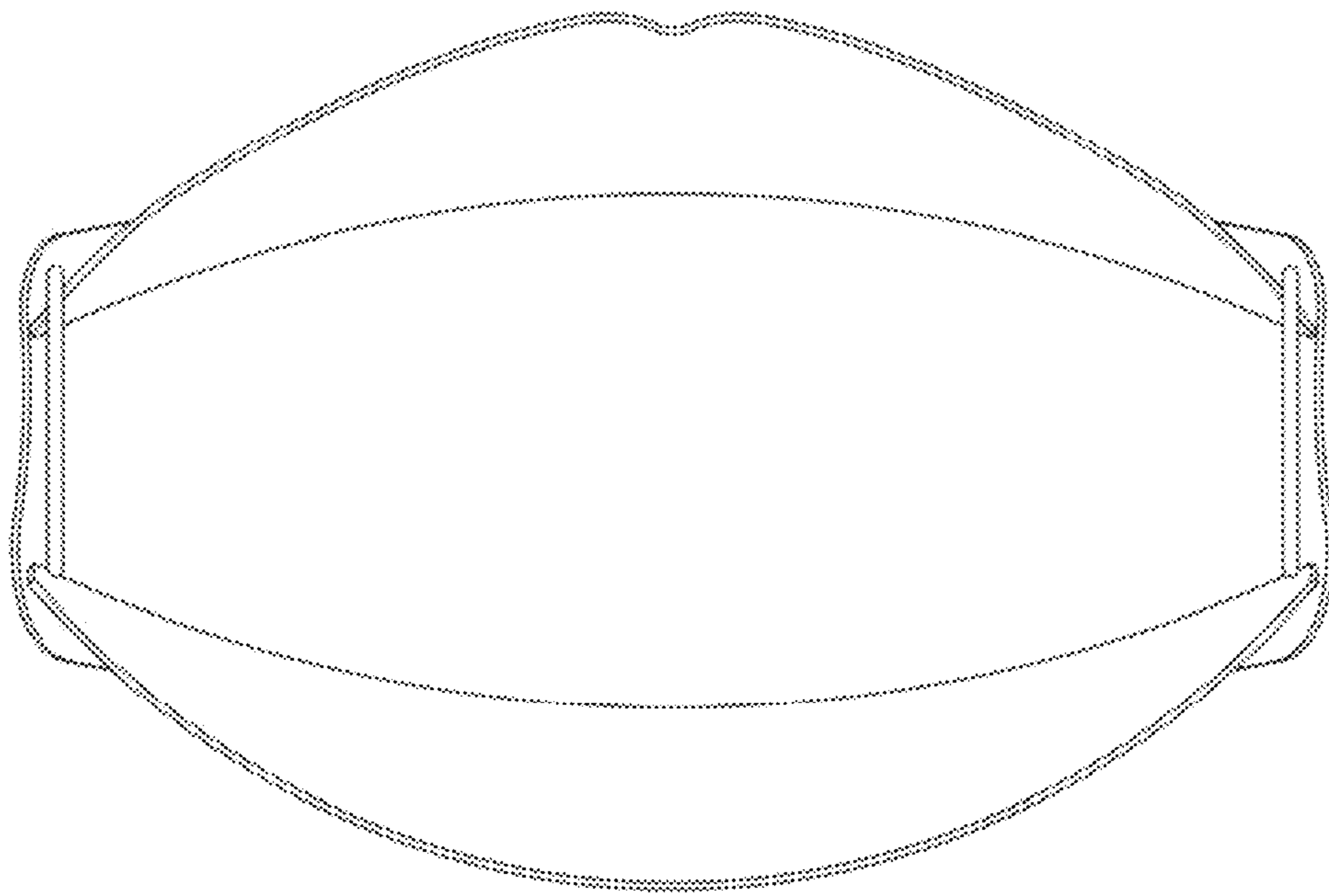


FIG. 1.3

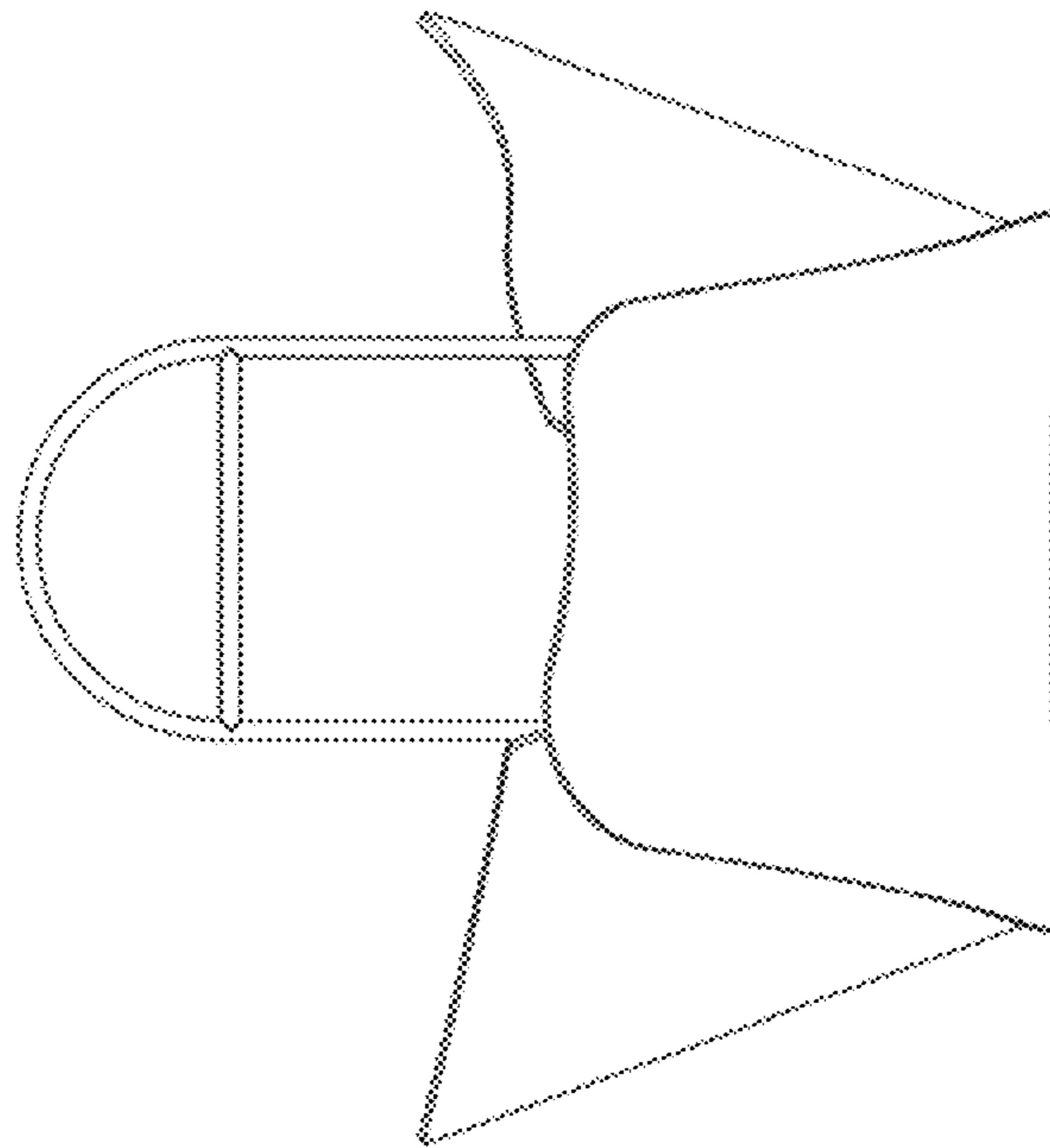


FIG. 1.4

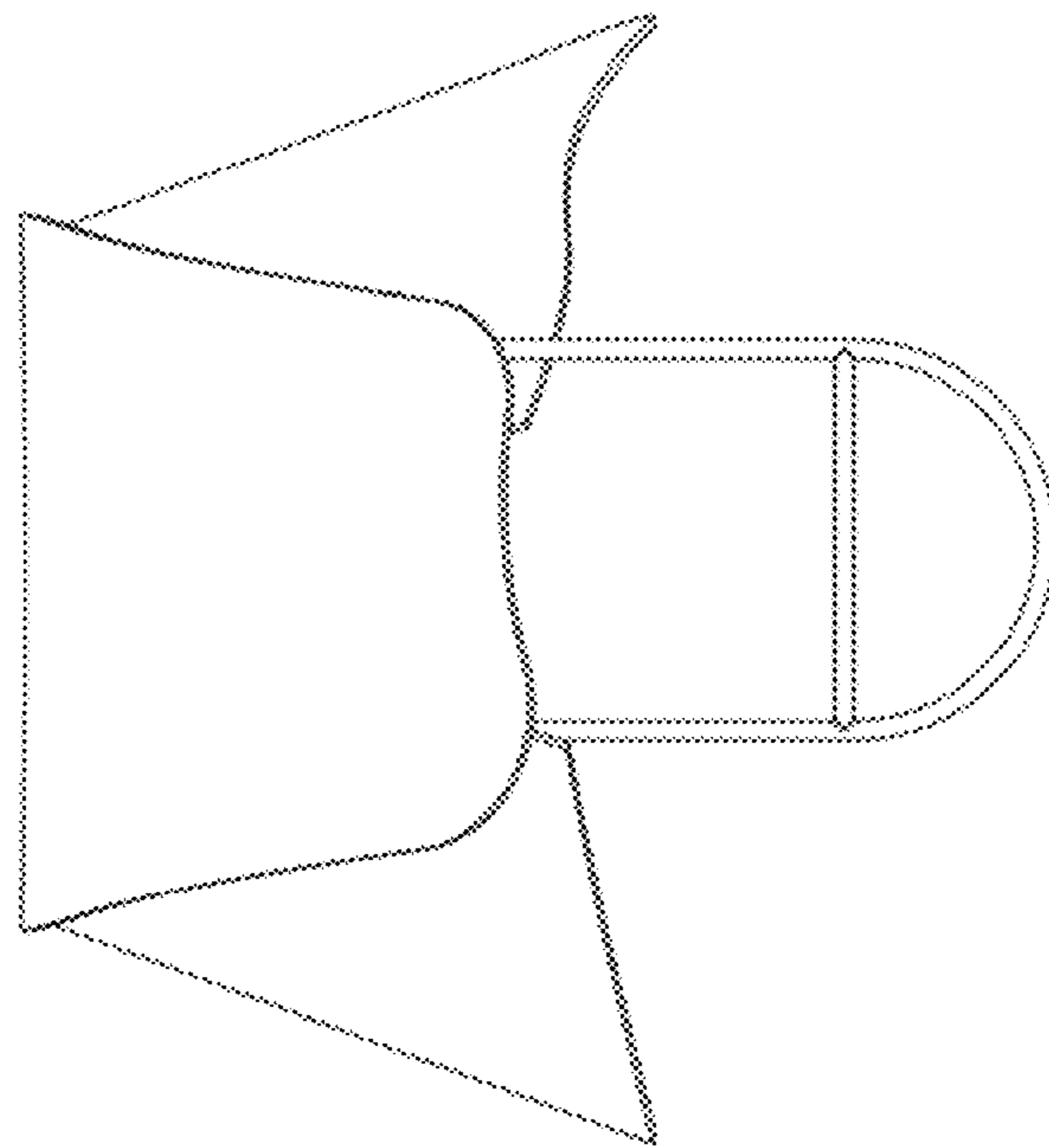


FIG. 1.5

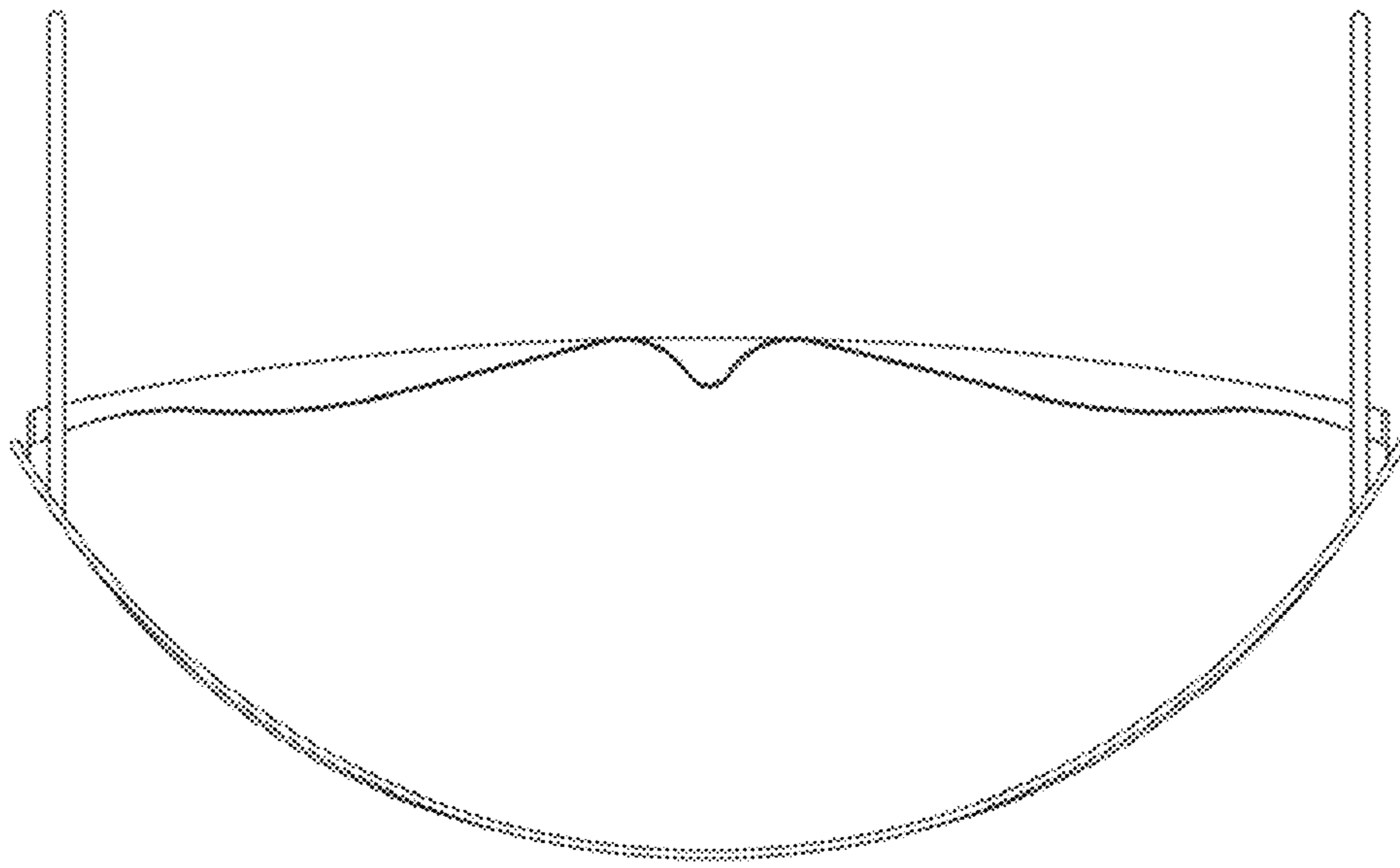


FIG. 1.6

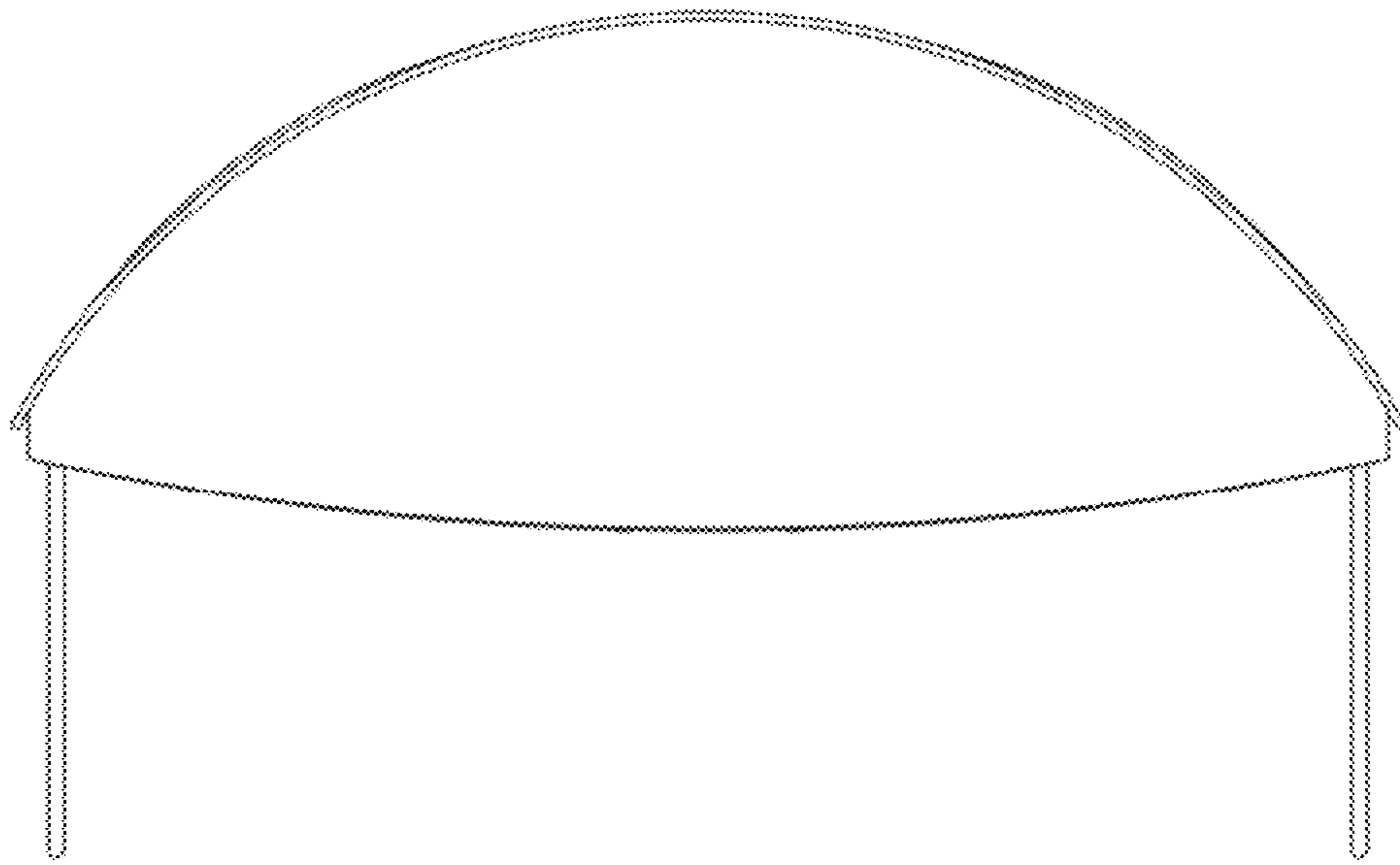


FIG. 1.7