



US00D962418S

(12) **United States Design Patent**
Horie et al.

(10) **Patent No.:** **US D962,418 S**

(45) **Date of Patent:** **** Aug. 30, 2022**

(54) **CASING FOR BLOWER**

(56) **References Cited**

(71) Applicant: **Mitsubishi Electric Corporation,**
Tokyo (JP)

U.S. PATENT DOCUMENTS

(72) Inventors: **Ryo Horie,** Tokyo (JP); **Takahiro Yamatani,** Tokyo (JP); **Kazuya Michikami,** Tokyo (JP); **Hiroshi Tsutsumi,** Tokyo (JP); **Takuya Teramoto,** Tokyo (JP); **Hiroyasu Hayashi,** Tokyo (JP)

2,329,696	A *	9/1943	Chester	F04D 29/282
					416/232
2,661,894	A *	12/1953	Stevenson	F04D 29/626
					417/353
3,390,832	A *	7/1968	Mullings	F04D 29/626
					417/352
3,407,995	A *	10/1968	Kinsworthy	F04D 29/441
					415/206
3,627,442	A *	12/1971	Brandt	F04D 29/424
					415/206
3,809,504	A *	5/1974	Goossens	F04D 25/084
					415/206
D308,417	S *	6/1990	Belanger	D23/383
D593,192	S *	5/2009	Spaggiari	D23/370
D609,323	S *	2/2010	Spaggiari	D23/370
D669,571	S *	10/2012	Penlesky	D23/393

(73) Assignee: **Mitsubishi Electric Corporation,**
Tokyo (JP)

(**) Term: **15 Years**

(21) Appl. No.: **29/808,193**

(22) Filed: **Sep. 17, 2021**

(Continued)

Primary Examiner — Sharon S Oum

(74) *Attorney, Agent, or Firm* — Studebaker & Brackett PC

Related U.S. Application Data

(62) Division of application No. 29/694,038, filed on Jun. 6, 2019, now Pat. No. Des. 944,966.

(57) **CLAIM**

The ornamental design for a casing for blower, as shown and described.

Foreign Application Priority Data

Feb. 4, 2019 (JP) 2019-002146
Feb. 4, 2019 (JP) 2019-002147

DESCRIPTION

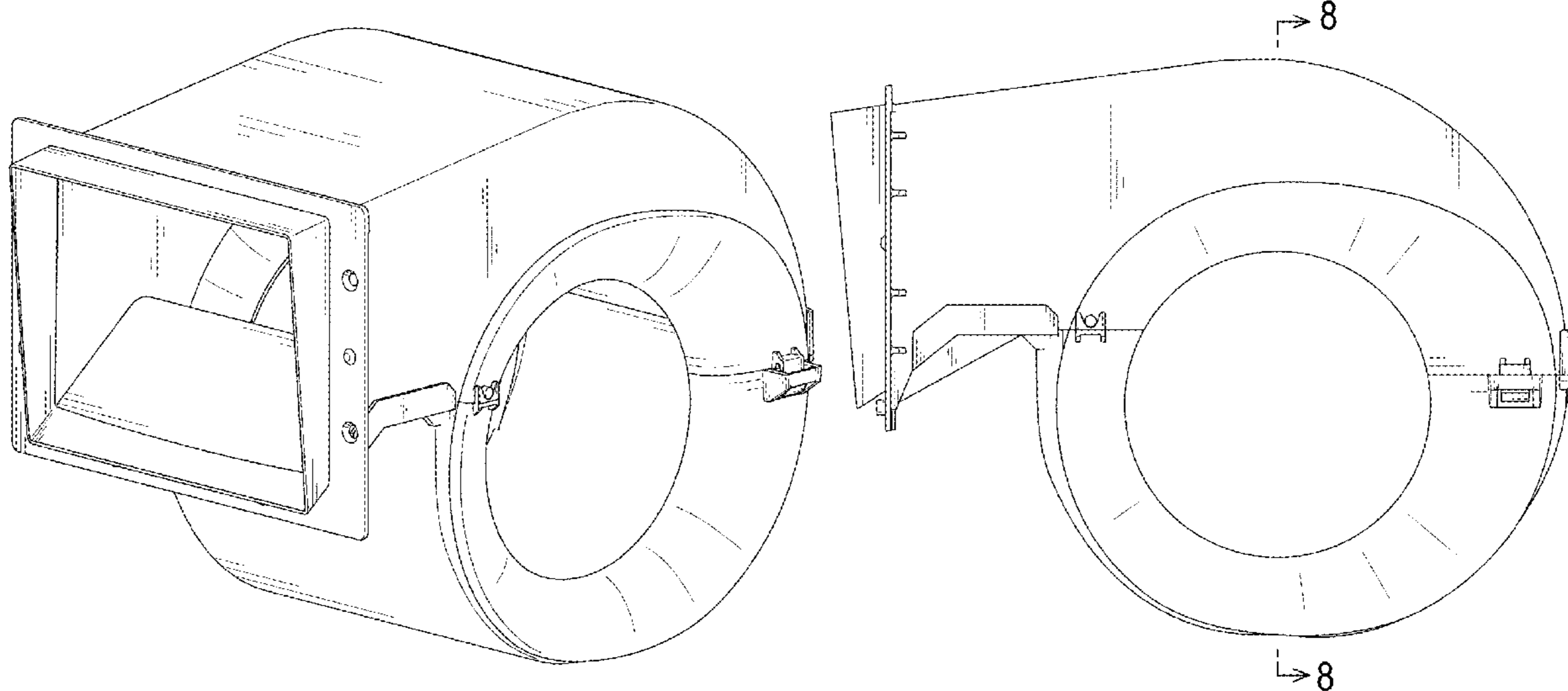
(51) **LOC (13) Cl.** **23-03**

(52) **U.S. Cl.**
USPC **D23/411; D23/383**

(58) **Field of Classification Search**
USPC D23/370, 381, 382, 383, 386, 387, 393,
D23/411, 412; D32/15
CPC .. F04D 29/4226; F04D 29/281; F04D 29/441;
F04D 25/06; F04D 25/08; F04D 25/082
See application file for complete search history.

FIG. 1. is a first perspective view of the front, left, and top sides of a casing for blower showing our new design;
FIG. 2. is a second perspective view of the front, right, and bottom sides thereof;
FIG. 3. is a front view thereof, a rear view being a mirror image thereof;
FIG. 4. is a left side view thereof;
FIG. 5. is a right side view thereof;
FIG. 6. is a top plan view thereof;
FIG. 7. is a bottom plan view thereof;
FIG. 8. is a cross-sectional view at 8-8 in FIG. 3; and,
FIG. 9. is a cross-sectional view at 9-9 in FIG. 4.

1 Claim, 9 Drawing Sheets



(56)

References Cited

U.S. PATENT DOCUMENTS

8,578,727 B2 * 11/2013 Tsutsumi F24F 11/30
62/223
9,160,209 B2 * 10/2015 Feld F24C 15/2042
D742,498 S * 11/2015 Zakula D23/386
D754,835 S * 4/2016 Uehara D23/371
D764,651 S * 8/2016 Zakula D23/386
D775,720 S * 1/2017 Liu D23/370
D831,817 S * 10/2018 Pirouzpanah D23/383
10,302,096 B2 * 5/2019 Kang F04D 29/281
10,323,853 B2 * 6/2019 Zakula F04D 29/4226
10,641,284 B2 * 5/2020 Pirouzpanah F04D 25/08
10,718,351 B2 * 7/2020 Kono F04D 29/4226
10,895,266 B2 * 1/2021 Pirouzpanah F04D 29/462
D938,570 S * 12/2021 Horie D23/370
D938,571 S * 12/2021 Michikami D23/370
D944,966 S * 3/2022 Horie D23/370
2012/0009059 A1 * 1/2012 Okamoto F04D 29/441
415/224
2017/0051749 A1 * 2/2017 Cho F04D 27/006
2019/0242612 A1 * 8/2019 Teramoto F24F 1/0033
2019/0376522 A1 * 12/2019 Liu F04D 29/422
2020/0318887 A1 * 10/2020 Tsutsumi F25D 21/14
2021/0033104 A1 * 2/2021 Teramoto F04D 29/4226
2021/0108828 A1 * 4/2021 Linares F04D 29/584
2021/0140445 A1 * 5/2021 Teramoto F04D 29/4226
2021/0388847 A1 * 12/2021 Hayashi F24F 7/007
2022/0106968 A1 * 4/2022 Teramoto F04D 29/4213

* cited by examiner

FIG. 1

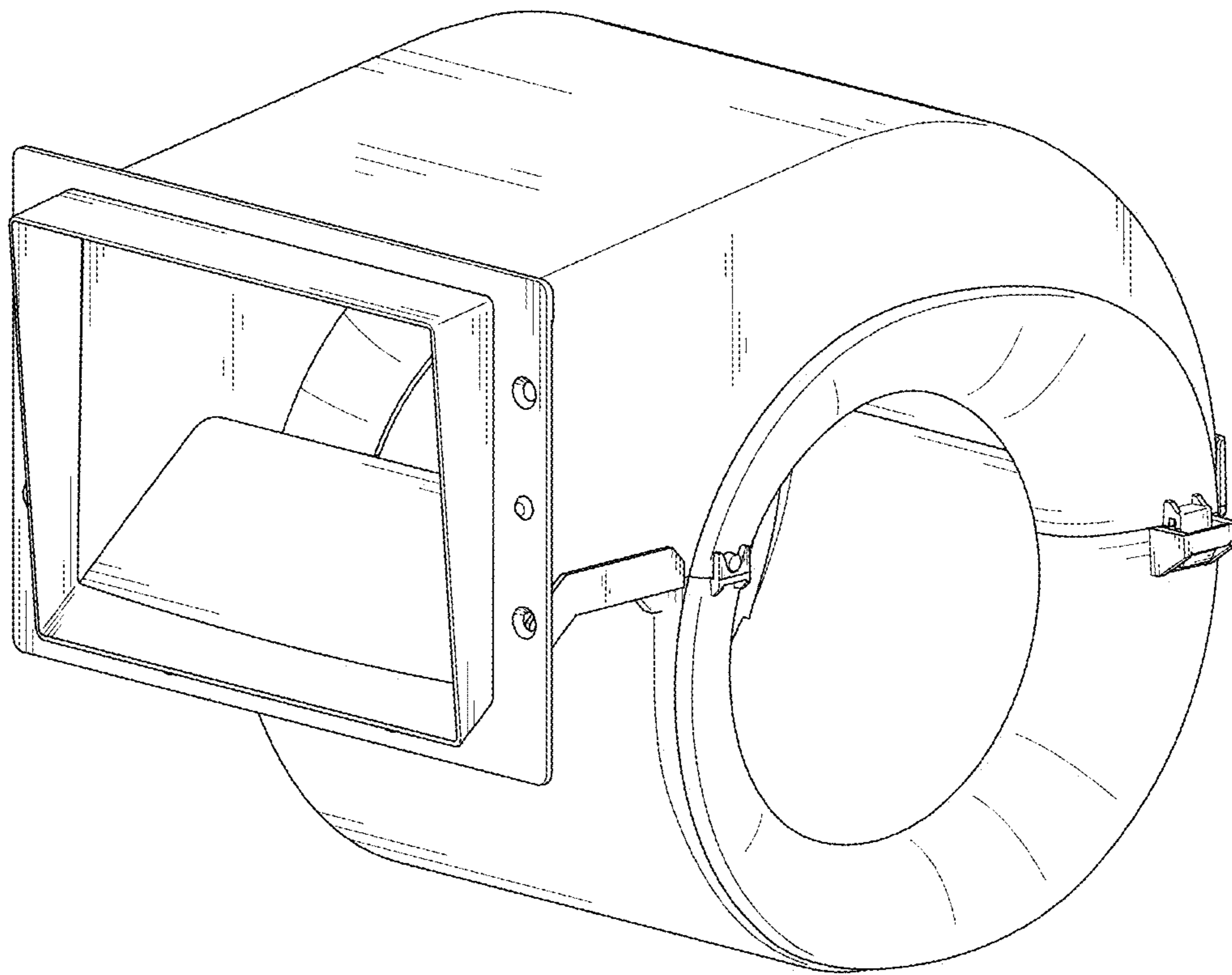


FIG. 2

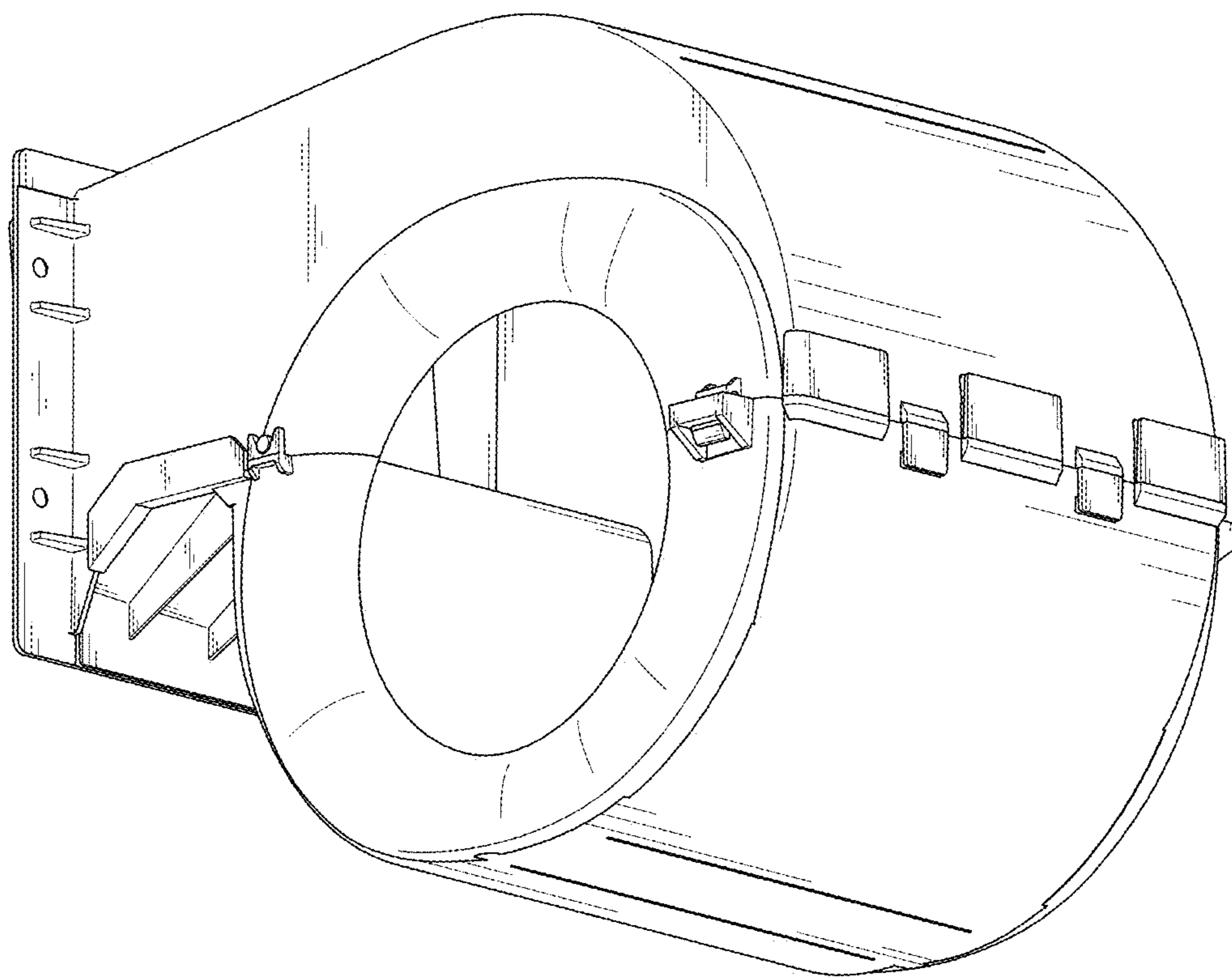


FIG. 3

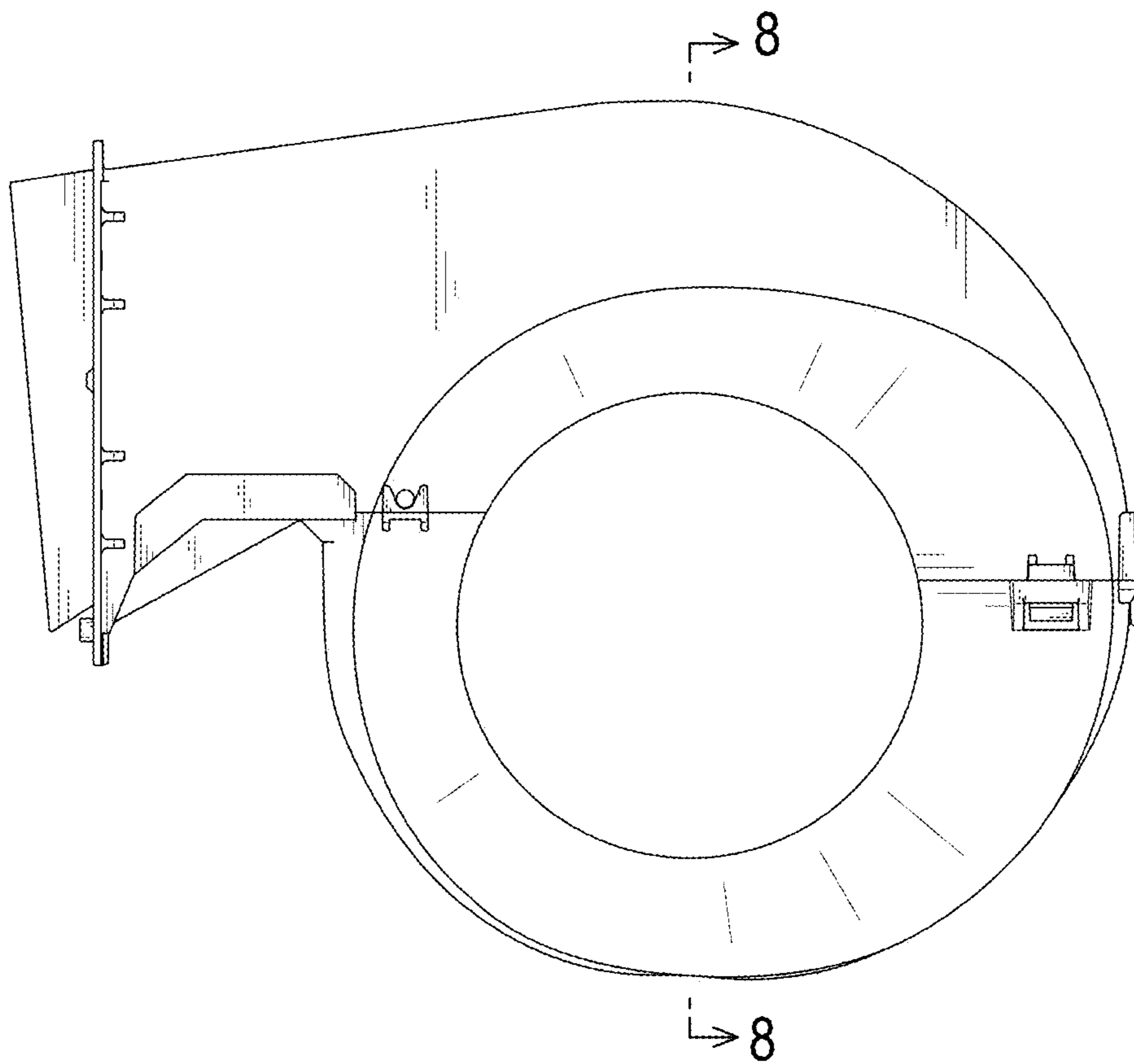


FIG. 4

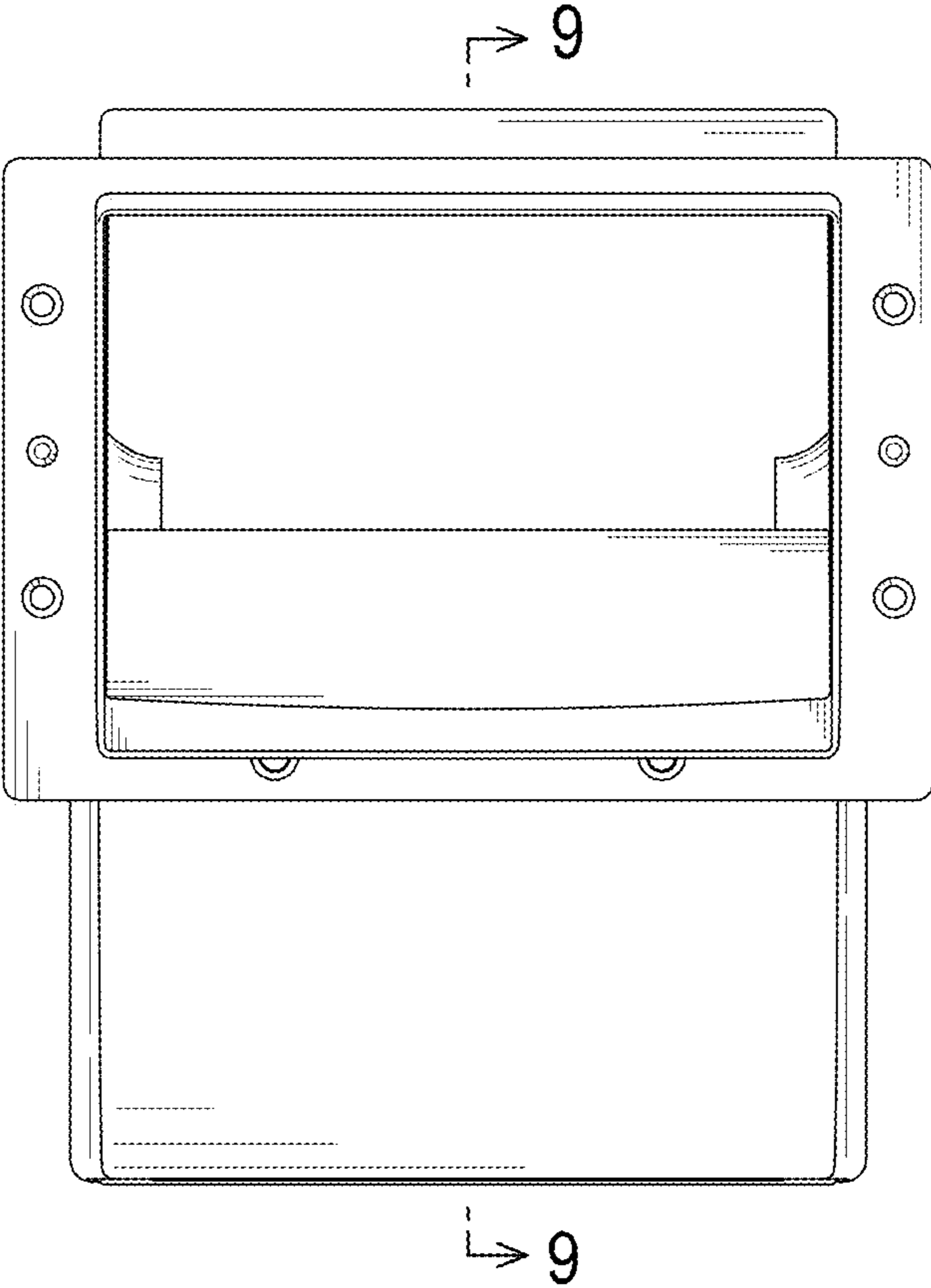


FIG. 5

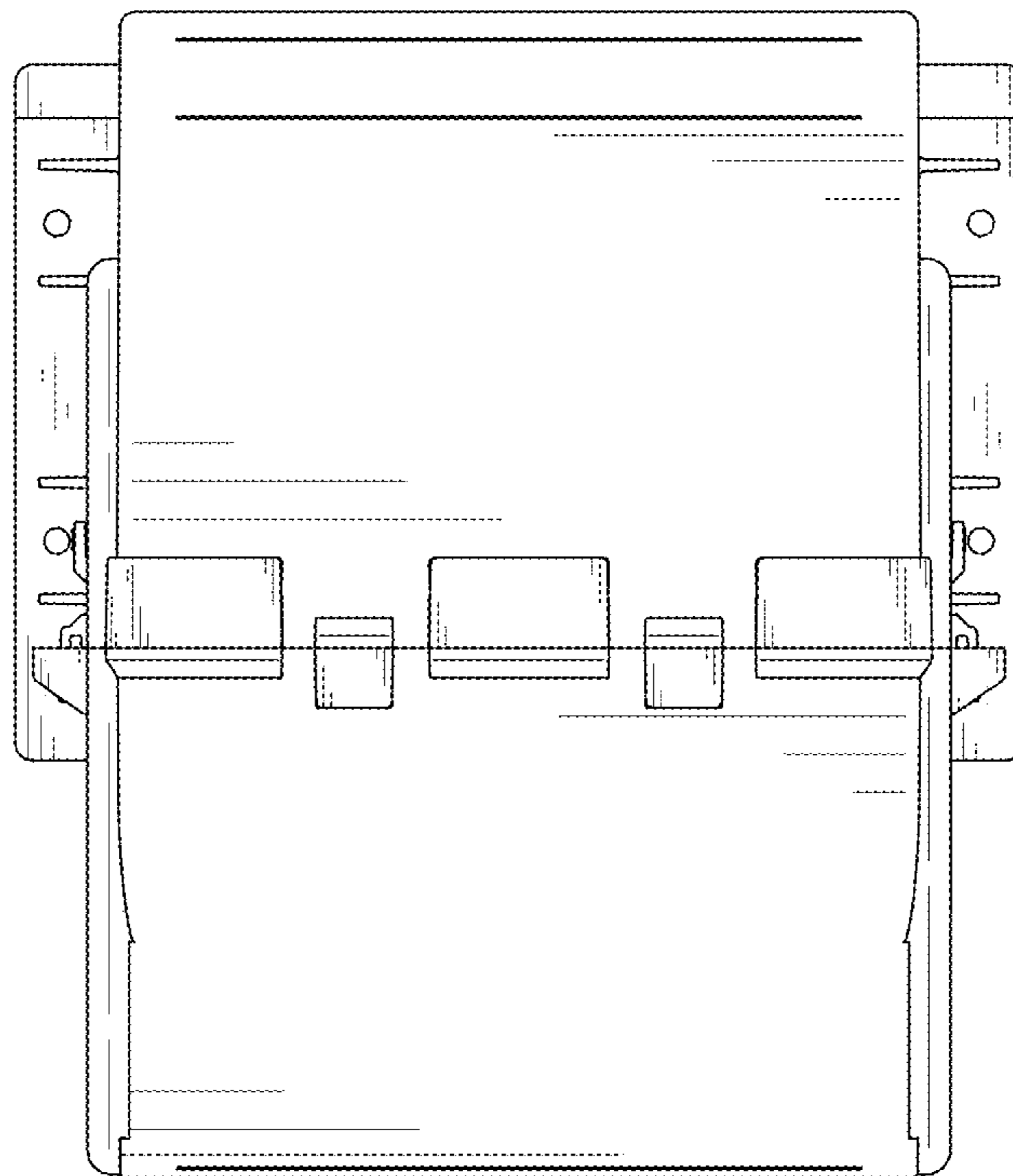


FIG. 6

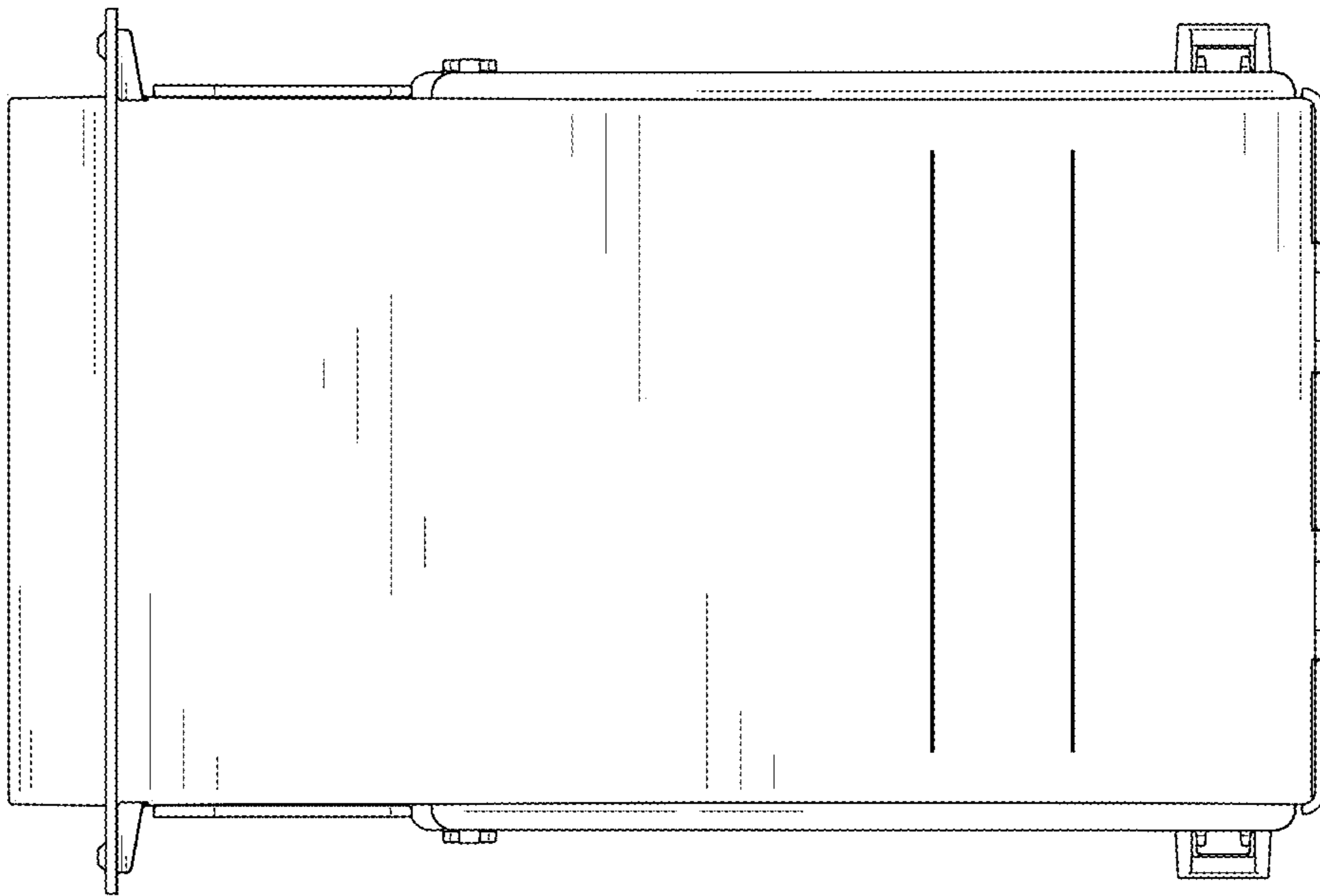


FIG. 7

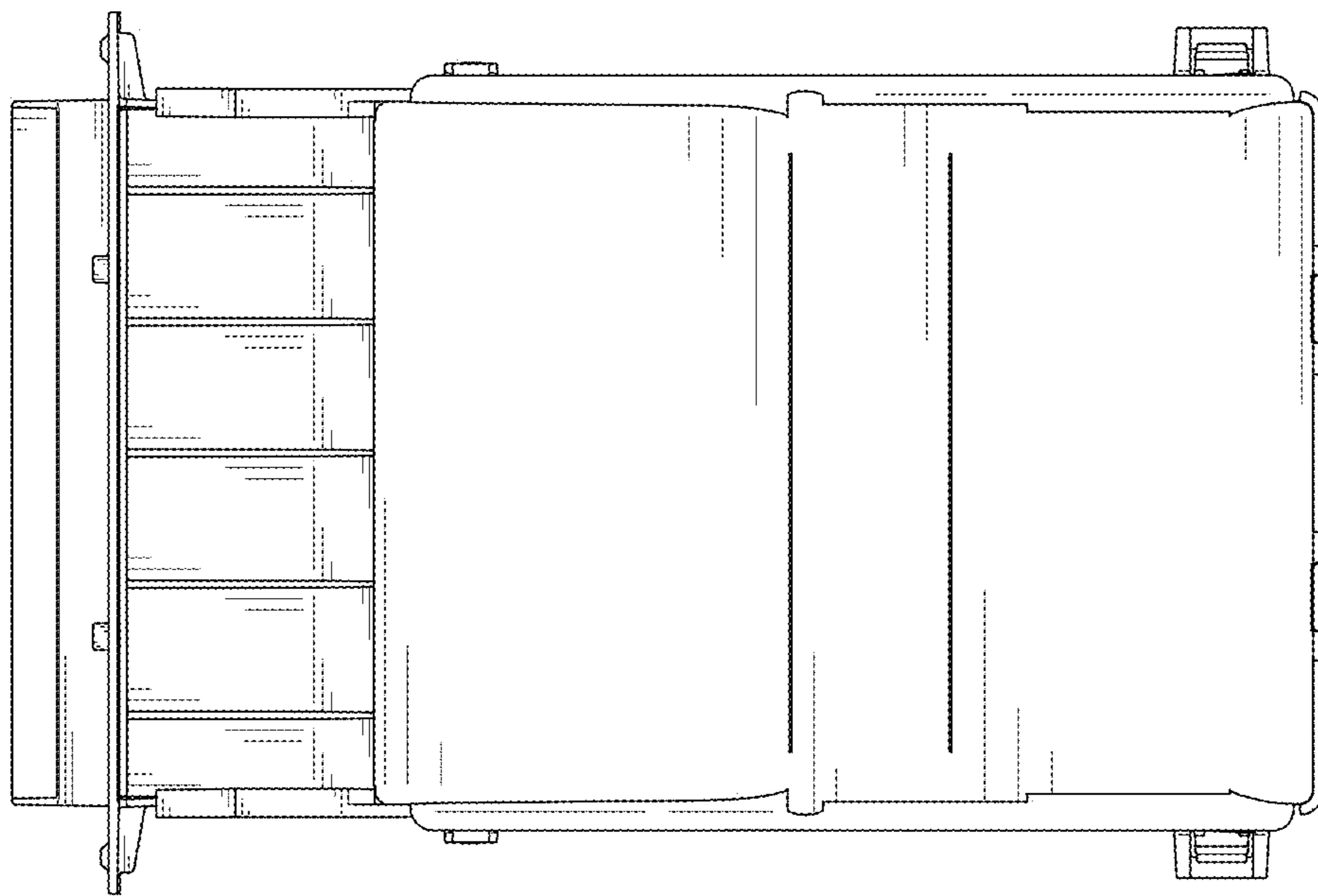


FIG. 8

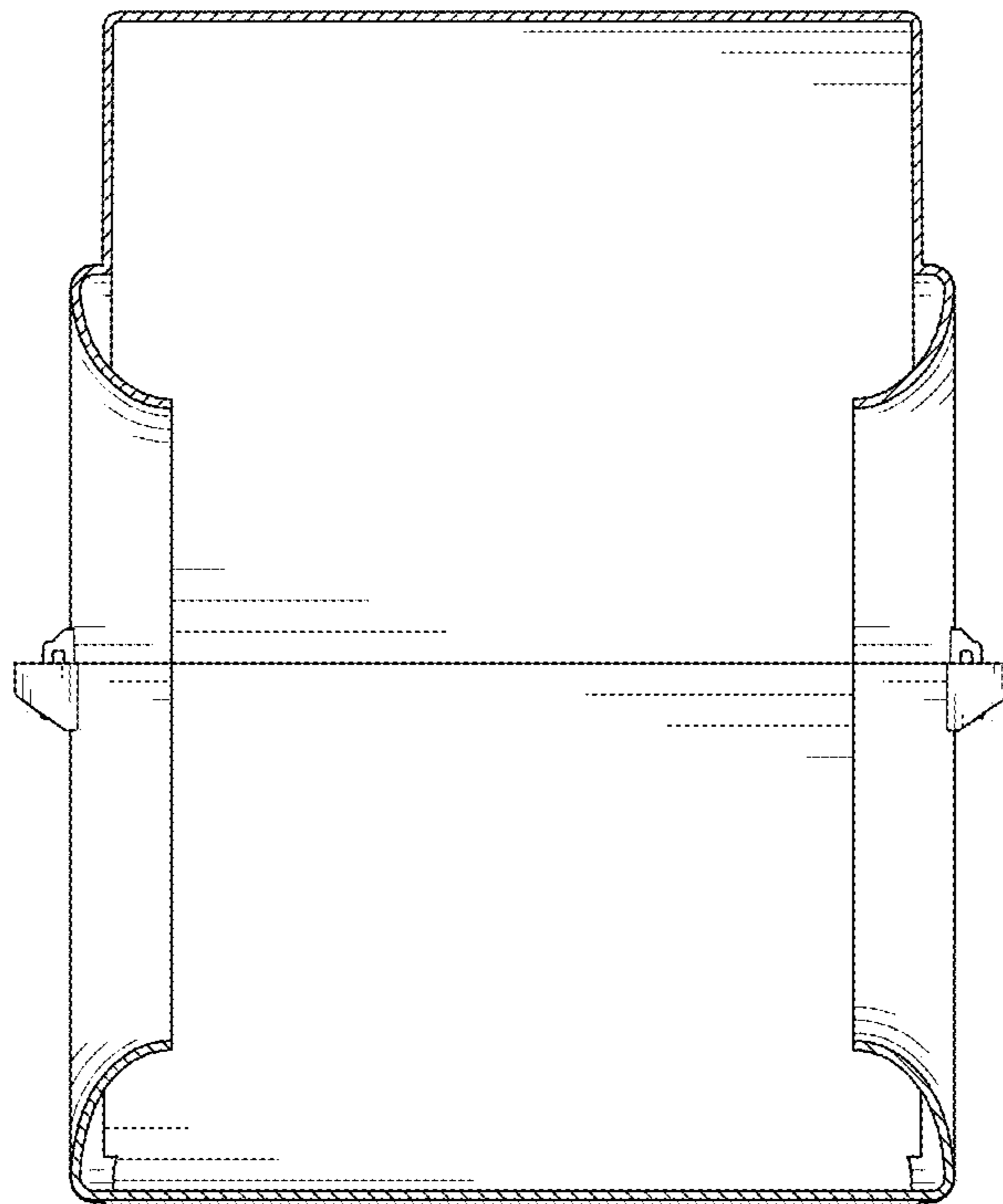


FIG. 9

