

US00D962417S

(12) **United States Design Patent**  
**Ye et al.**

(10) **Patent No.:** **US D962,417 S**  
(45) **Date of Patent:** **\*\* Aug. 30, 2022**

(54) **FAN**

(71) Applicant: **THE NEW GENIUS (SZ)**  
**TECHNOLOGY CO., LIMITED,**  
Guangdong (CN)

(72) Inventors: **Jianrong Ye**, Guangdong (CN); **Dong Chen**, Guangdong (CN)

(73) Assignee: **THE NEW GENIUS (SZ)**  
**TECHNOLOGY CO., LIMITED,**  
Guangdong (CN)

(\*\*) Term: **15 Years**

(21) Appl. No.: **29/737,239**

(22) Filed: **Jun. 8, 2020**

(30) **Foreign Application Priority Data**

Apr. 30, 2020 (CN) ..... 202030192315.7

(51) **LOC (13) Cl.** ..... **23-04**

(52) **U.S. Cl.**  
USPC ..... **D23/382**

(58) **Field of Classification Search**  
USPC ..... D23/328, 332, 333, 335-337, 351, 352,  
D23/364, 370, 378, 380, 381-383,  
D23/411-414; D26/59  
CPC .... F04D 25/0673; F04D 25/08; F04D 25/084;  
F04D 25/086; F04D 29/4226  
See application file for complete search history.

(56) **References Cited**

**U.S. PATENT DOCUMENTS**

D295,070 S \* 4/1988 Shin-Chin ..... D23/382  
4,799,858 A \* 1/1989 Shin-Chin ..... F04D 29/646  
248/231.51  
5,547,343 A \* 8/1996 Jane ..... F04D 29/601  
248/231.51  
D416,321 S \* 11/1999 Jane ..... D23/381  
D818,109 S \* 5/2018 Junkel ..... D23/382  
D865,937 S \* 11/2019 Lin ..... D23/382

D884,868 S \* 5/2020 Chen ..... D23/382  
D890,912 S \* 7/2020 Ma ..... D23/382  
D898,180 S \* 10/2020 Du ..... D23/382  
D902,374 S \* 11/2020 Li ..... D23/382  
D935,597 S \* 11/2021 Zhao ..... D23/382  
2020/0011338 A1\* 1/2020 Lin ..... F04D 25/0673

**OTHER PUBLICATIONS**

Brigenius Battery Operated Stroller Fan, date first reviewed with images Mar. 14, 2018, site visited Nov. 4, 2021, available from internet <<https://www.amazon.com/Operated-Rechargeable-360%C2%B0Rotation-Adjustable-Treadmill/dp/B078N1MRZR>>.\*  
Customer reviews, Brigenius Battery Operated Stroller Fan, site visited Nov. 4, 2021, <[https://www.amazon.com/Operated-Rechargeable-360%C2%B0Rotation-Adjustable-Treadmill/product-reviews/B078N1MRZR/ref=cm\\_cr\\_ar\\_p\\_d\\_viewopt\\_mdrvw?ie=UTF8&reviewerType=all\\_reviews&mediaType=media\\_reviews\\_only&pageNumber=1](https://www.amazon.com/Operated-Rechargeable-360%C2%B0Rotation-Adjustable-Treadmill/product-reviews/B078N1MRZR/ref=cm_cr_ar_p_d_viewopt_mdrvw?ie=UTF8&reviewerType=all_reviews&mediaType=media_reviews_only&pageNumber=1)>.\*

\* cited by examiner

*Primary Examiner* — Sharon S Oum

(74) *Attorney, Agent, or Firm* — JCIP Global Inc.

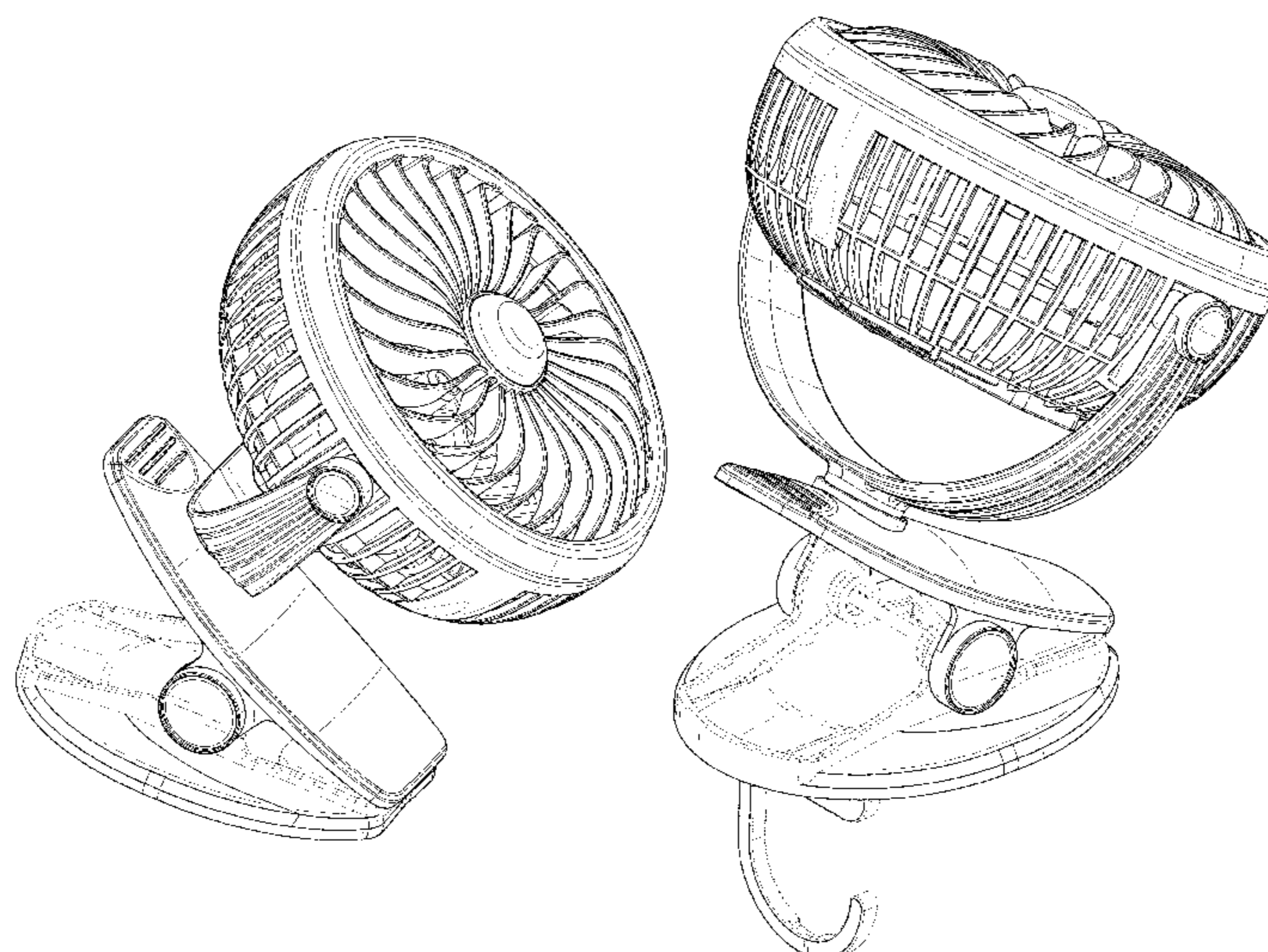
(57) **CLAIM**

The ornamental design for a fan, as shown and described.

**DESCRIPTION**

FIG. 1 is a first perspective view of a fan showing our new design;  
FIG. 2 is a second perspective view thereof;  
FIG. 3 is a third perspective view thereof, wherein a hook of the fan is in an open state;  
FIG. 4 is a front view of FIG. 1;  
FIG. 5 is a rear view of FIG. 1;  
FIG. 6 is a left side view of FIG. 1, the right side view being a minor image thereof;  
FIG. 7 is a top view of FIG. 1; and,  
FIG. 8 is a bottom view of FIG. 1.  
The broken lines depict portions of the fan that form no part of the claimed design.

**1 Claim, 8 Drawing Sheets**



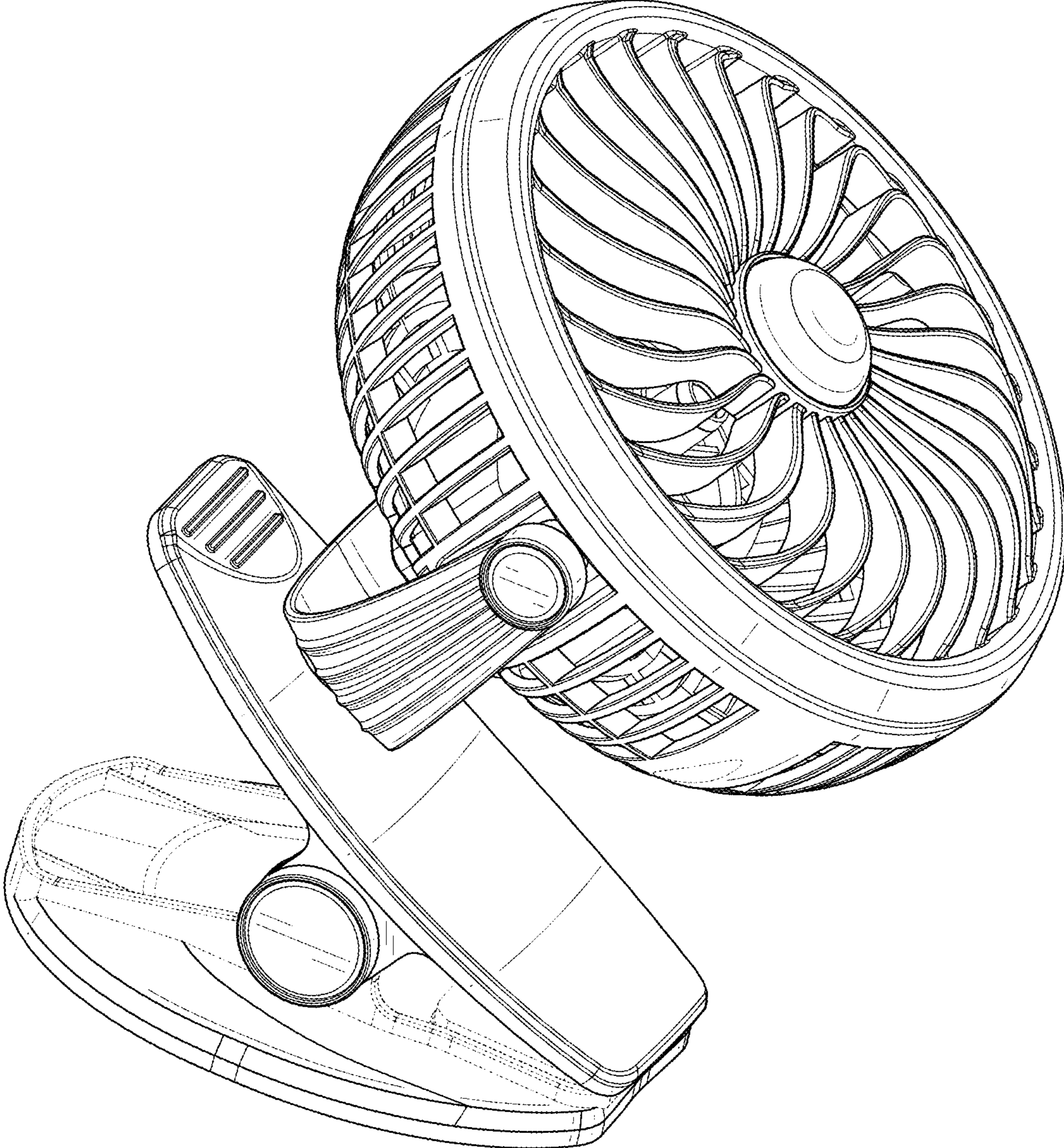


FIG. 1

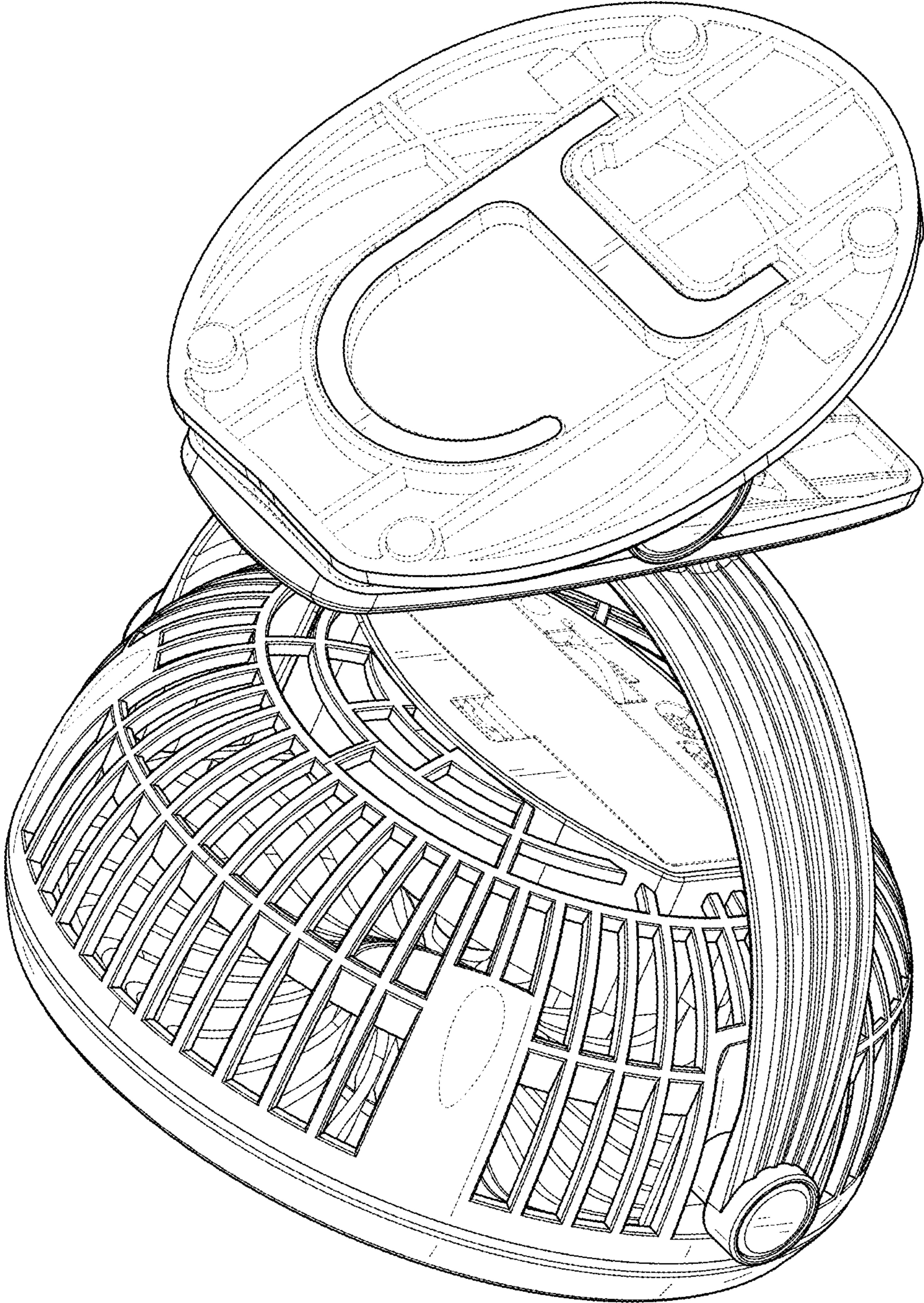


FIG. 2

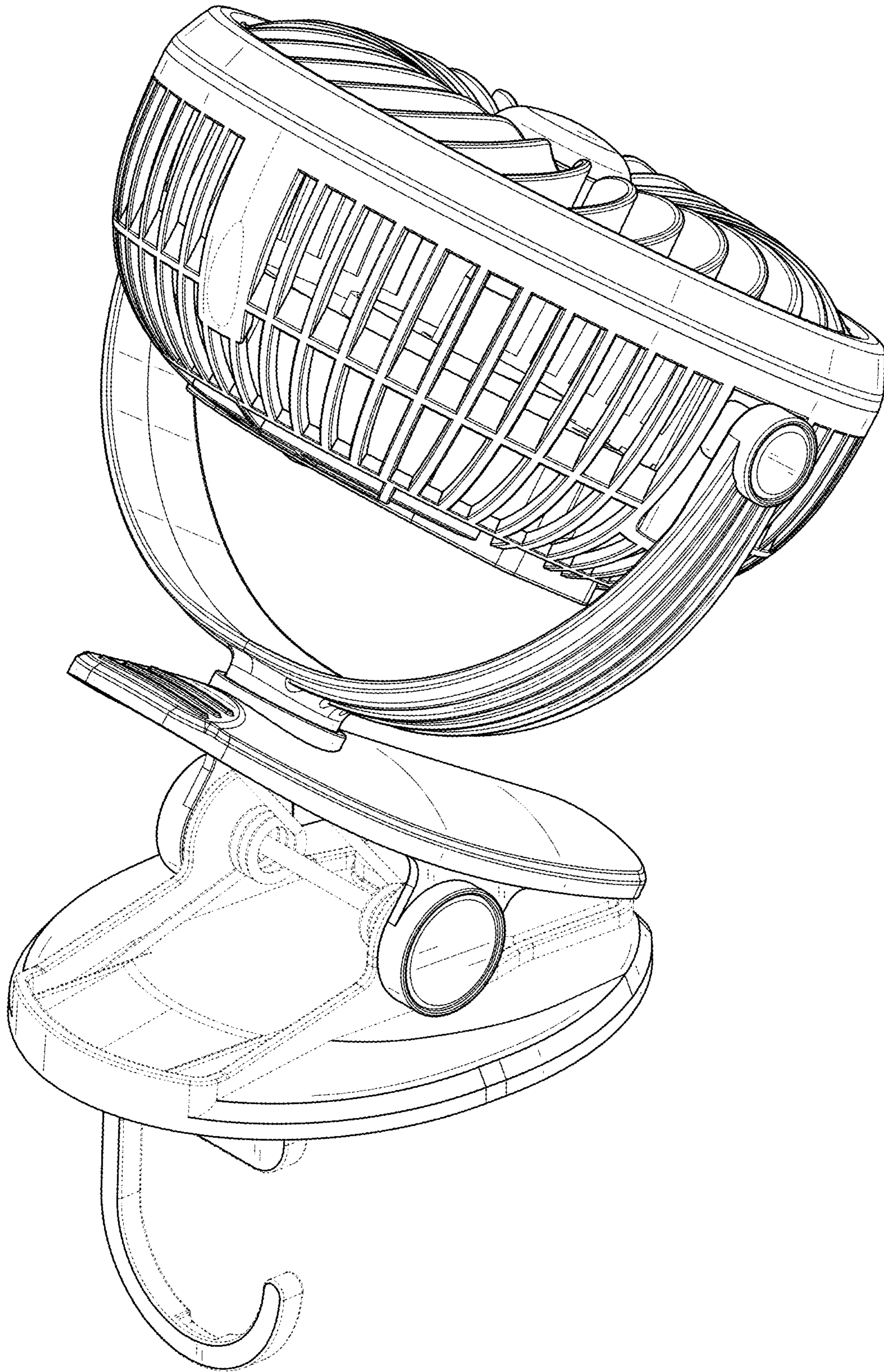


FIG. 3

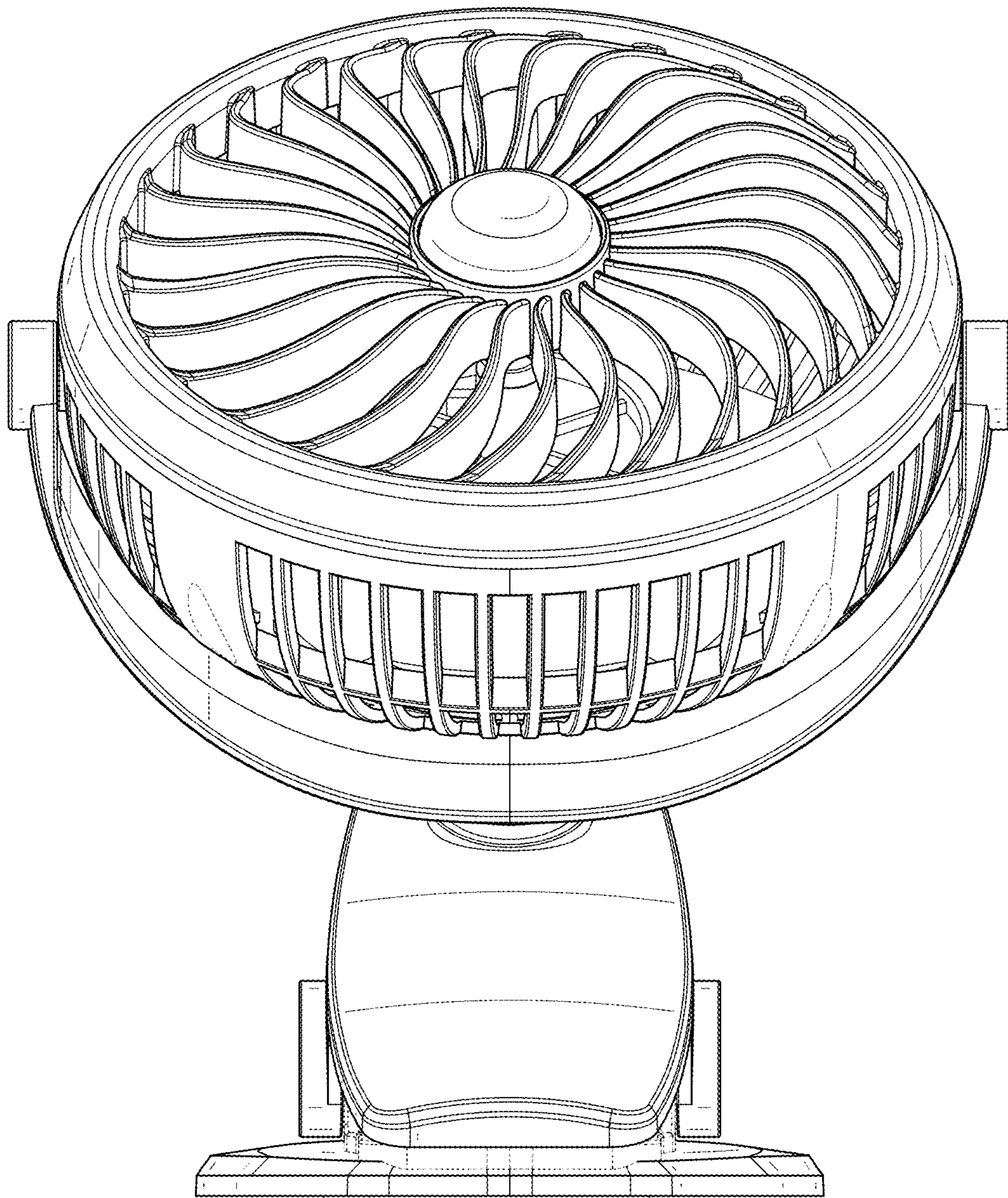


FIG. 4

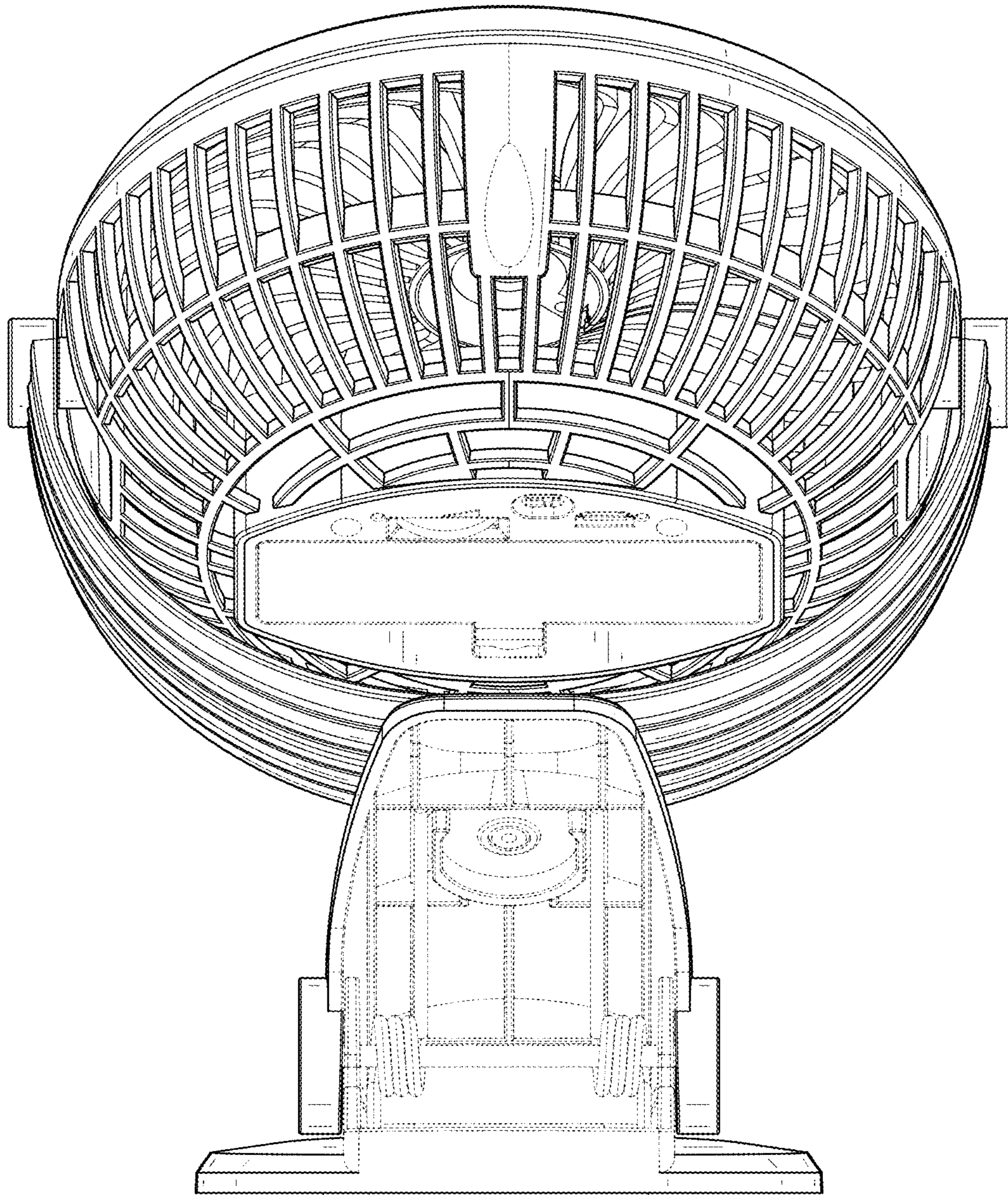


FIG. 5

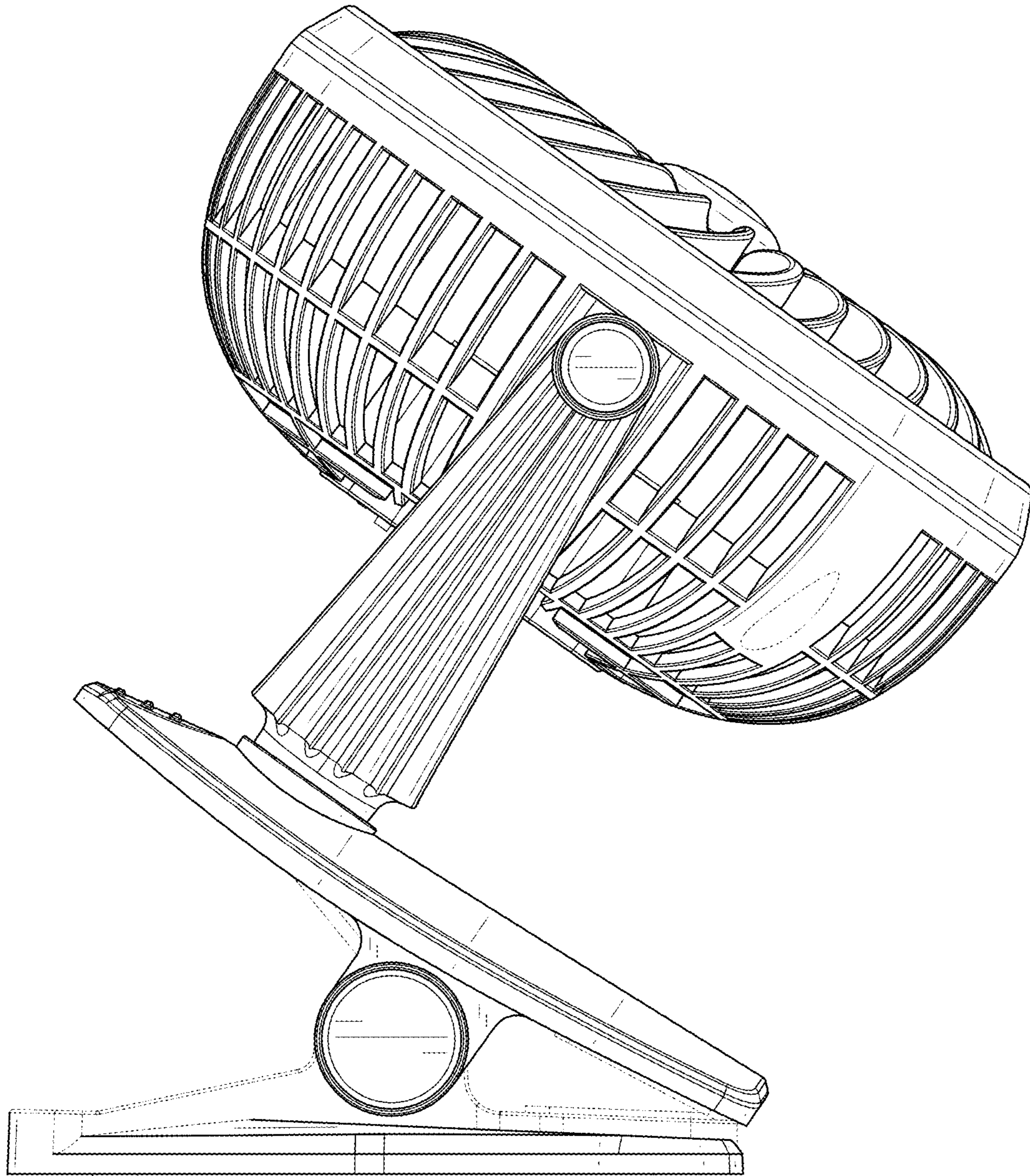


FIG. 6

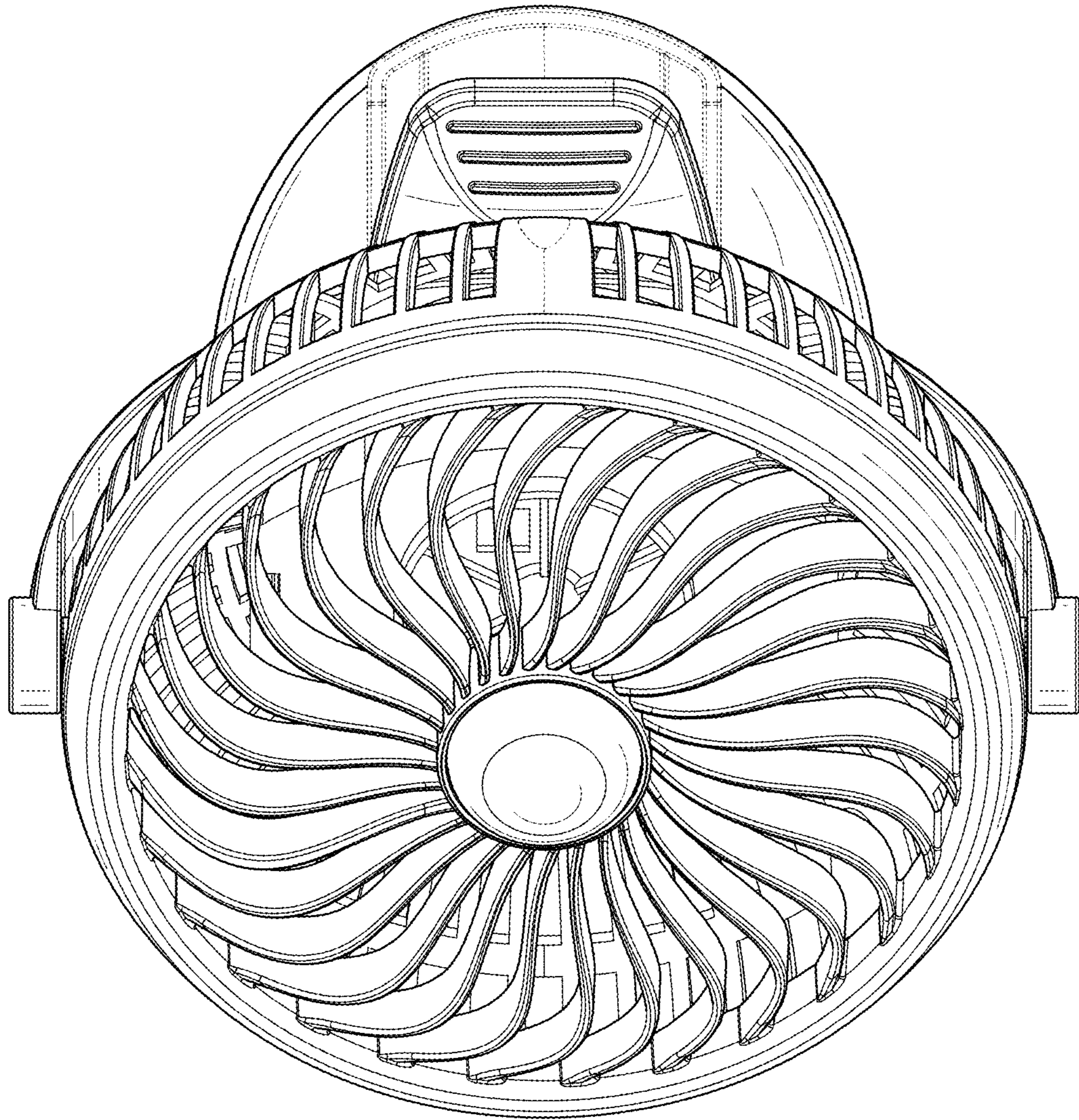


FIG. 7



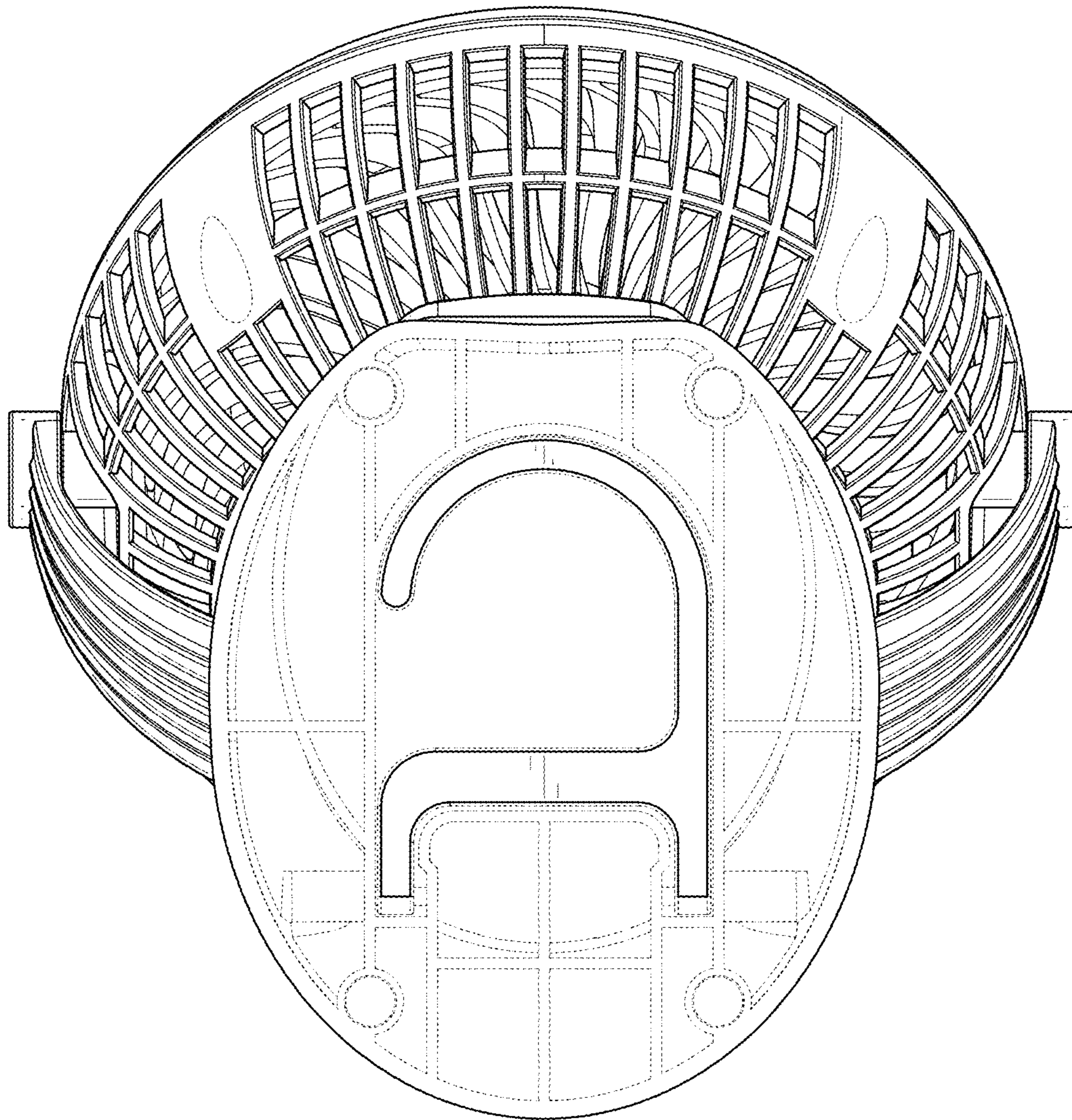


FIG. 8