

US00D962416S

(12) **United States Design Patent**
Lin

(10) **Patent No.:** **US D962,416 S**

(45) **Date of Patent:** **** Aug. 30, 2022**

(54) **FAN**

(71) Applicant: **Zhongshan xiyou electronic technology co., ltd, Zhongshan (CN)**

(72) Inventor: **Xiuyan Lin, Puning (CN)**

(**) Term: **15 Years**

(21) Appl. No.: **29/801,092**

(22) Filed: **Jul. 26, 2021**

(51) **LOC (13) Cl.** **23-04**

(52) **U.S. Cl.**
USPC **D23/381**

(58) **Field of Classification Search**
USPC D23/328, 332, 333, 335, 342, 355, 356,
D23/359, 360, 370, 377, 381–383, 385,
D23/411

CPC F24F 2006/146; F24F 2006/008; F24F
2221/38; F24F 2221/125; F24F 6/12;
F24F 3/14; B05B 3/022; Y10S 261/43
See application file for complete search history.

(56) **References Cited**

U.S. PATENT DOCUMENTS

D434,132 S *	11/2000	Shapiro	D23/382
D444,871 S *	7/2001	Wilson, Jr.	D23/382
D531,296 S *	10/2006	Chen	D23/370
D546,436 S *	7/2007	Chen	D23/382
D546,437 S *	7/2007	Chen	D23/382
D564,084 S *	3/2008	Chen	D23/382
D565,721 S *	4/2008	Chen	D23/382
D578,635 S *	10/2008	Chan	D23/382
D607,097 S *	12/2009	Yen	D23/382
D674,888 S *	1/2013	Kawase	D23/370
D683,010 S *	5/2013	Chen	D23/370
D689,600 S *	9/2013	Herbst	D23/382
D726,892 S *	4/2015	Chan	D23/351
D774,174 S *	12/2016	Chapman	D23/370
D783,796 S	4/2017	Badarello et al.	

D818,106 S *	5/2018	Junkel	D23/382
D845,465 S *	4/2019	Cui	D23/382
D887,542 S *	6/2020	Youngblutt	D23/382
D893,698 S *	8/2020	Lin	D23/381
D919,075 S *	5/2021	Lin	D23/381
D943,081 S *	2/2022	Bull	D23/382
D943,729 S *	2/2022	Ma	D23/333
2013/0181062 A1 *	7/2013	Zimmer	F24F 5/0035 261/28
2021/0222896 A1 *	7/2021	Llorente Alonso ...	F24F 1/0355
2021/0293425 A1 *	9/2021	Ma	F24F 6/12

(Continued)

Primary Examiner — Janice Hallmark

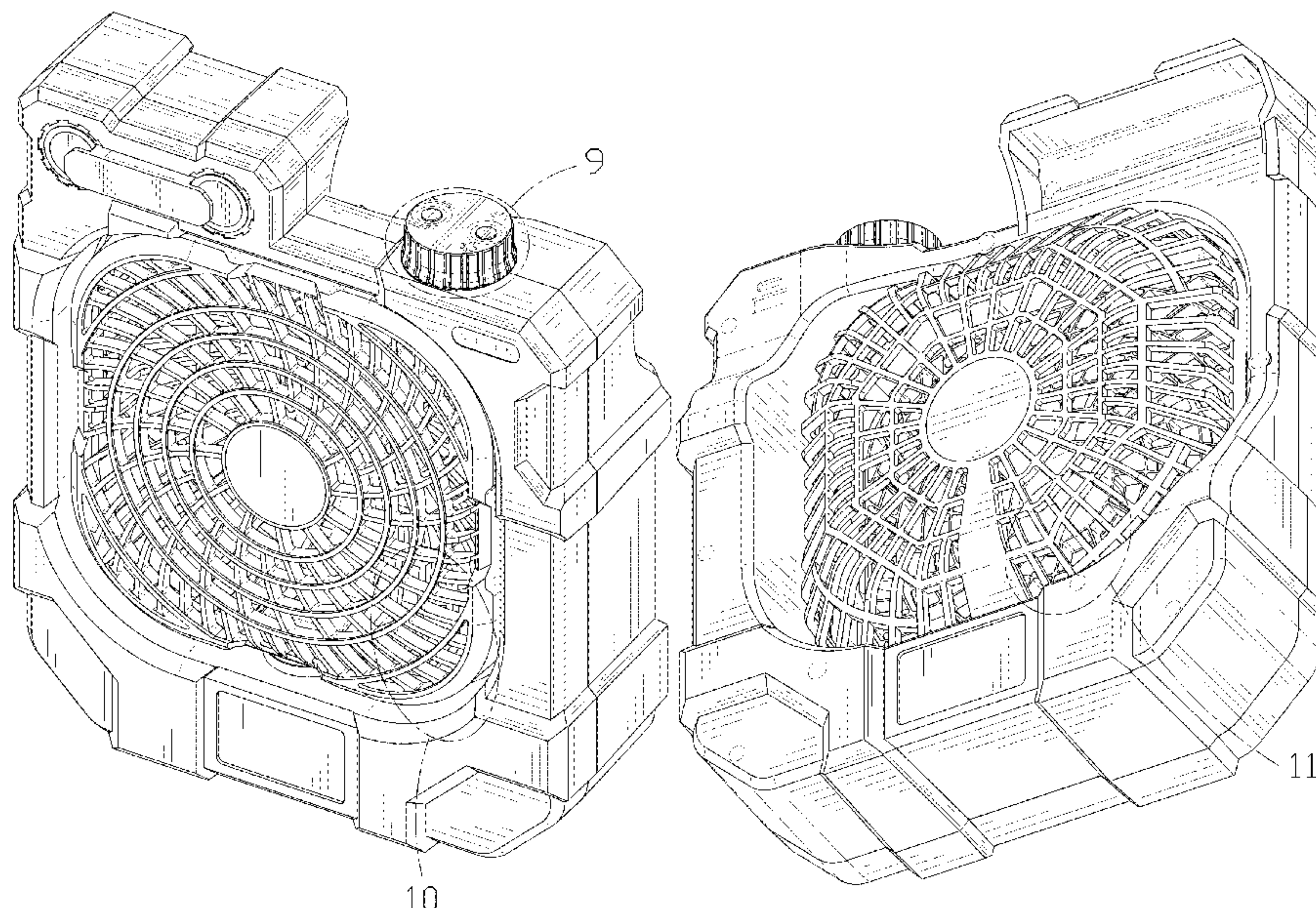
(57) **CLAIM**

The ornamental design for a fan, as shown and described.

DESCRIPTION

FIG. 1 is a front and top perspective view of a fan, showing my new design;
 FIG. 2 is a rear and bottom perspective view thereof;
 FIG. 3 is a front elevation view thereof;
 FIG. 4 is a rear elevation view thereof;
 FIG. 5 is a left side elevation view thereof;
 FIG. 6 is a right side elevation view thereof;
 FIG. 7 is a top plan view thereof;
 FIG. 8 is a bottom plan view thereof;
 FIG. 9 is an enlarged view of the portion of the fan encircled and labeled “9” in FIG. 1;
 FIG. 10 is an enlarged view of the portion of the fan encircled and labeled “10” in FIG. 1; and,
 FIG. 11 is an enlarged view of the portion of the fan encircled and labeled “11” in FIG. 2.
 The broken lines in the figures illustrate portions of the fan that form no part of the claimed design. The dash dot dash lines in FIGS. 1, 2, 9, 10 and 11 are for the purpose of depicting the cut line of the enlarged view and form no part of the claim.

1 Claim, 11 Drawing Sheets



(56)

References Cited

U.S. PATENT DOCUMENTS

2021/0310718 A1* 10/2021 Zeng B05B 11/0056
2022/0080437 A1* 3/2022 Zhong F04D 29/705

* cited by examiner

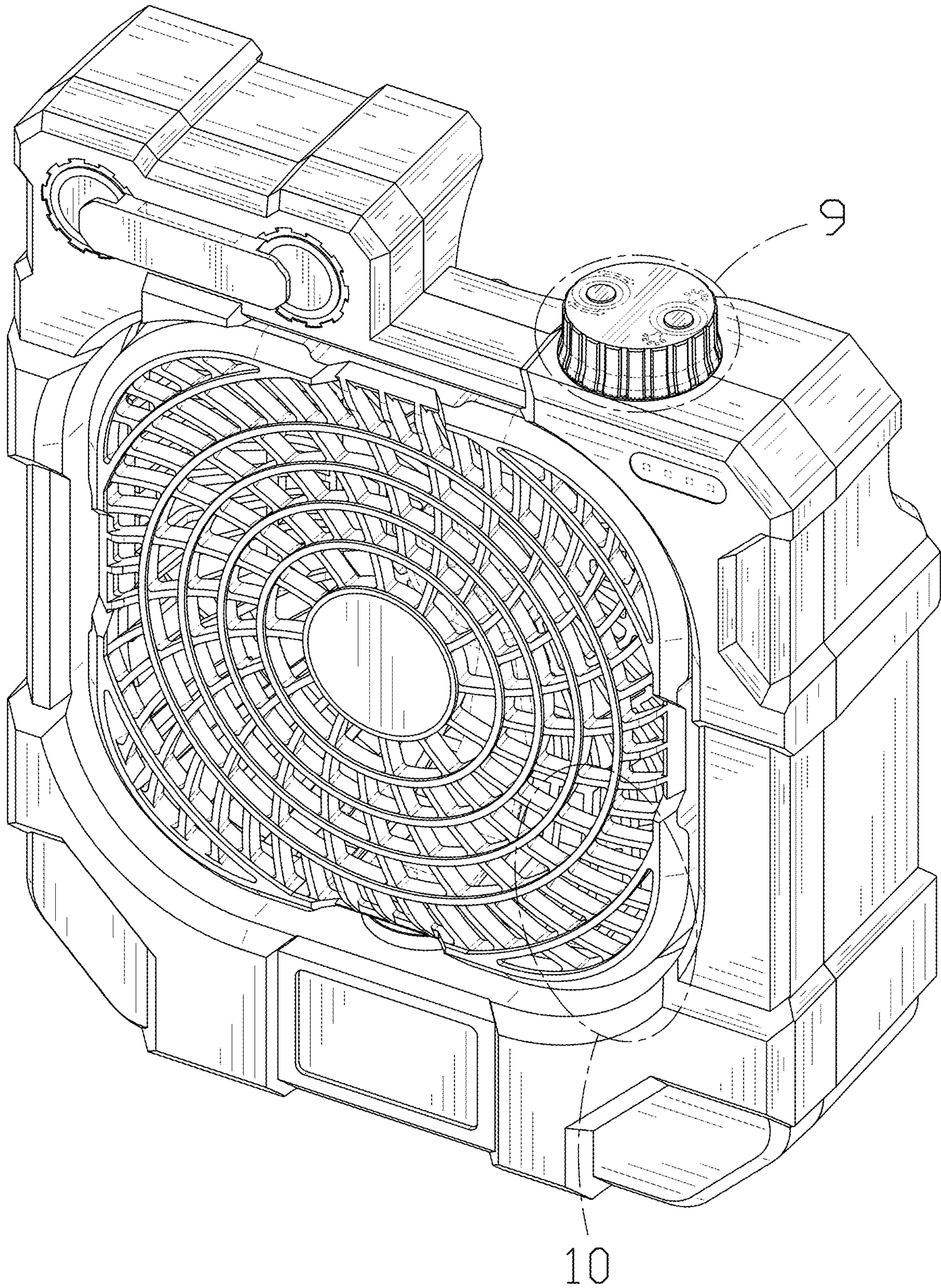


FIG. 1

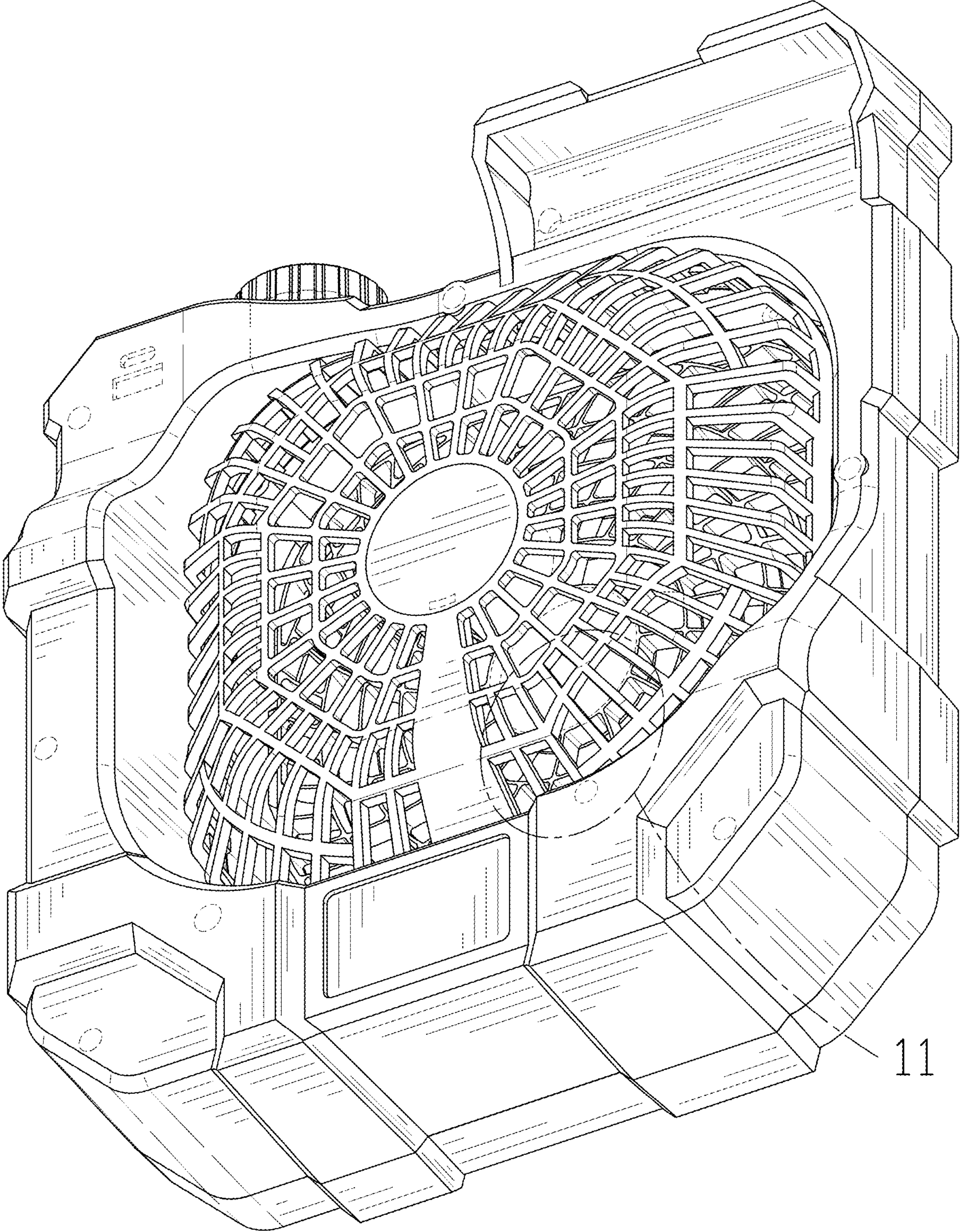


FIG. 2

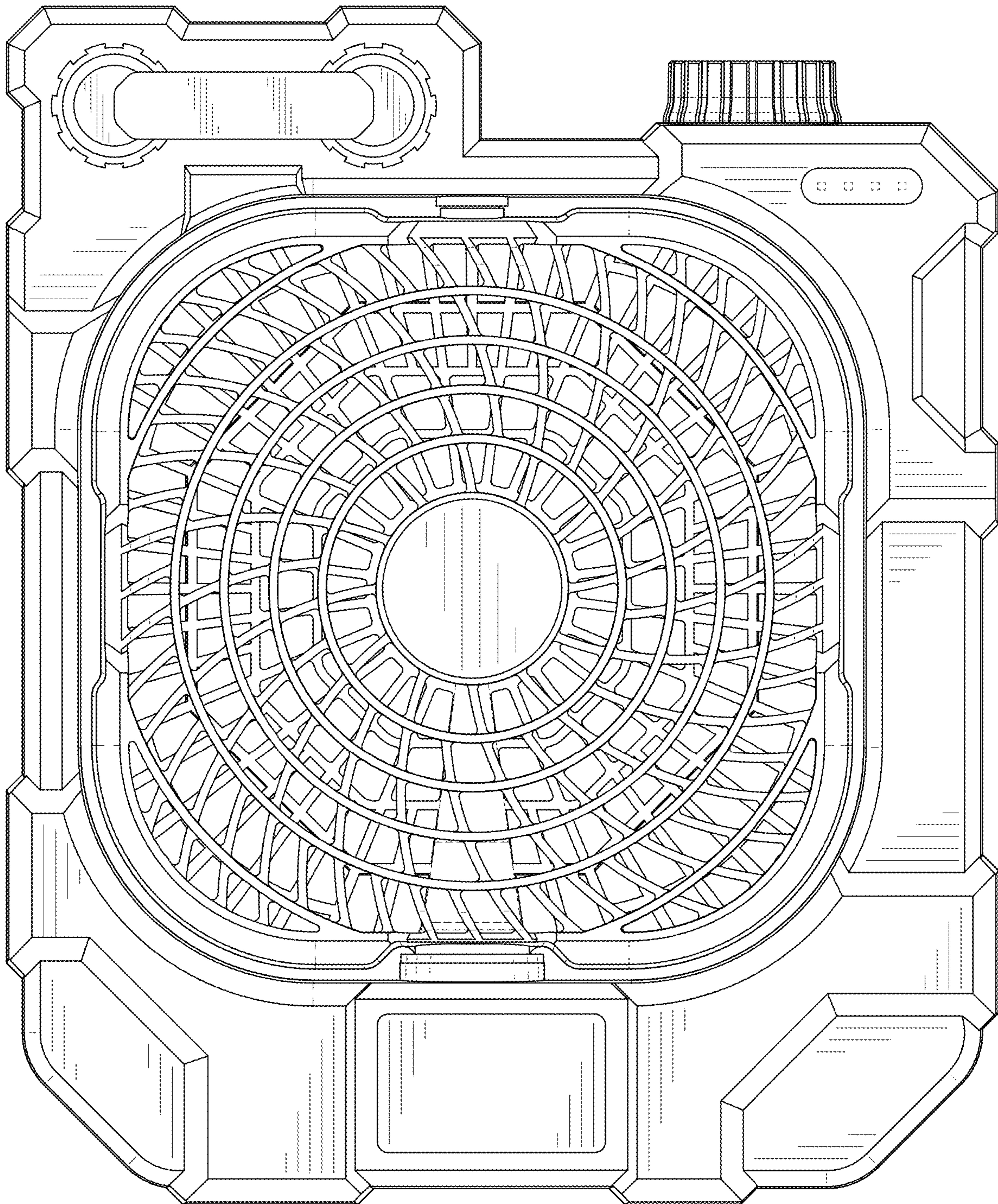


FIG. 3

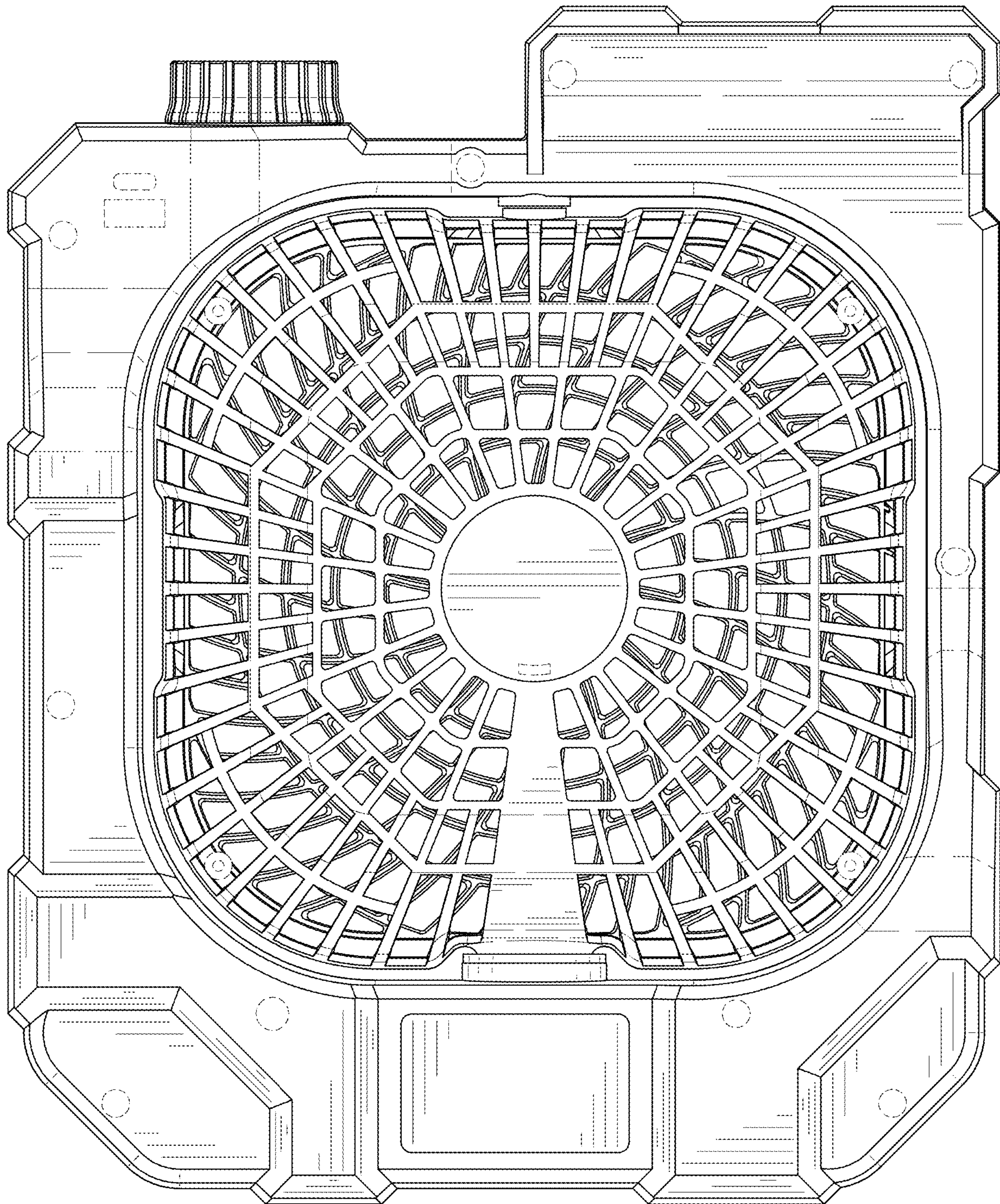


FIG. 4

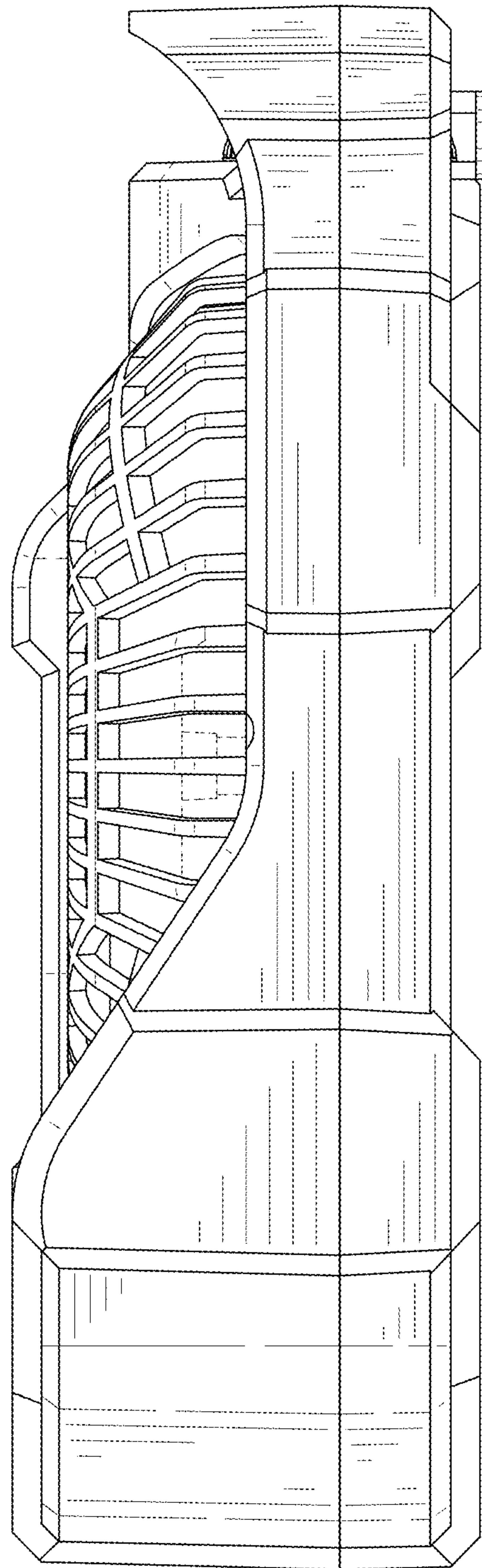


FIG. 5

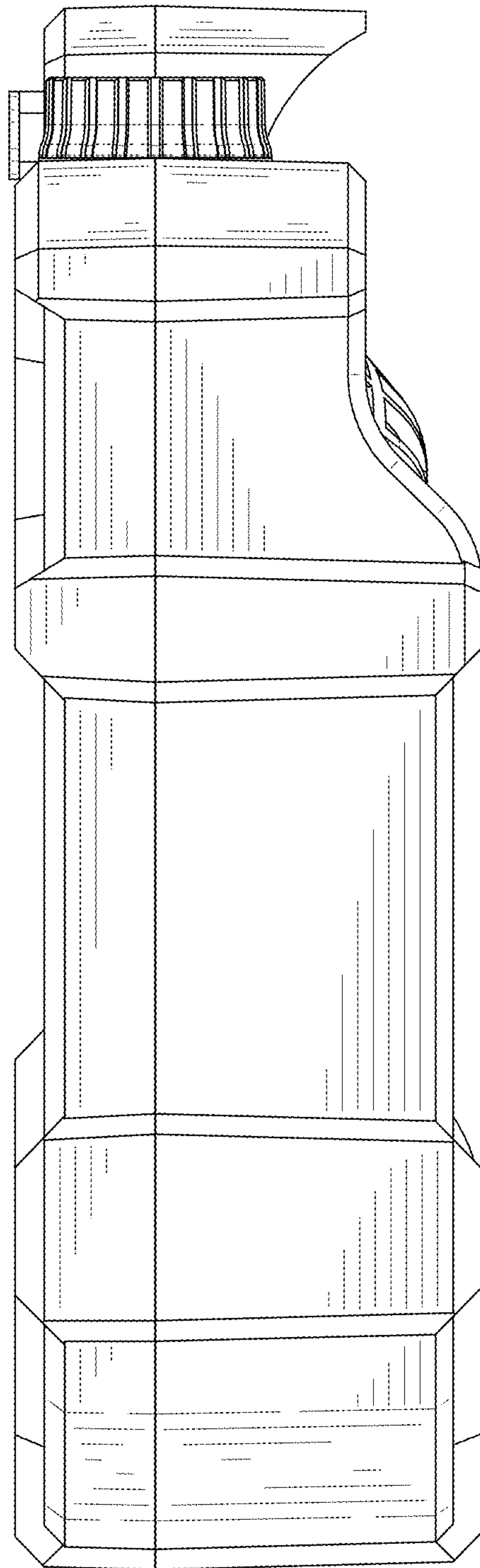


FIG. 6

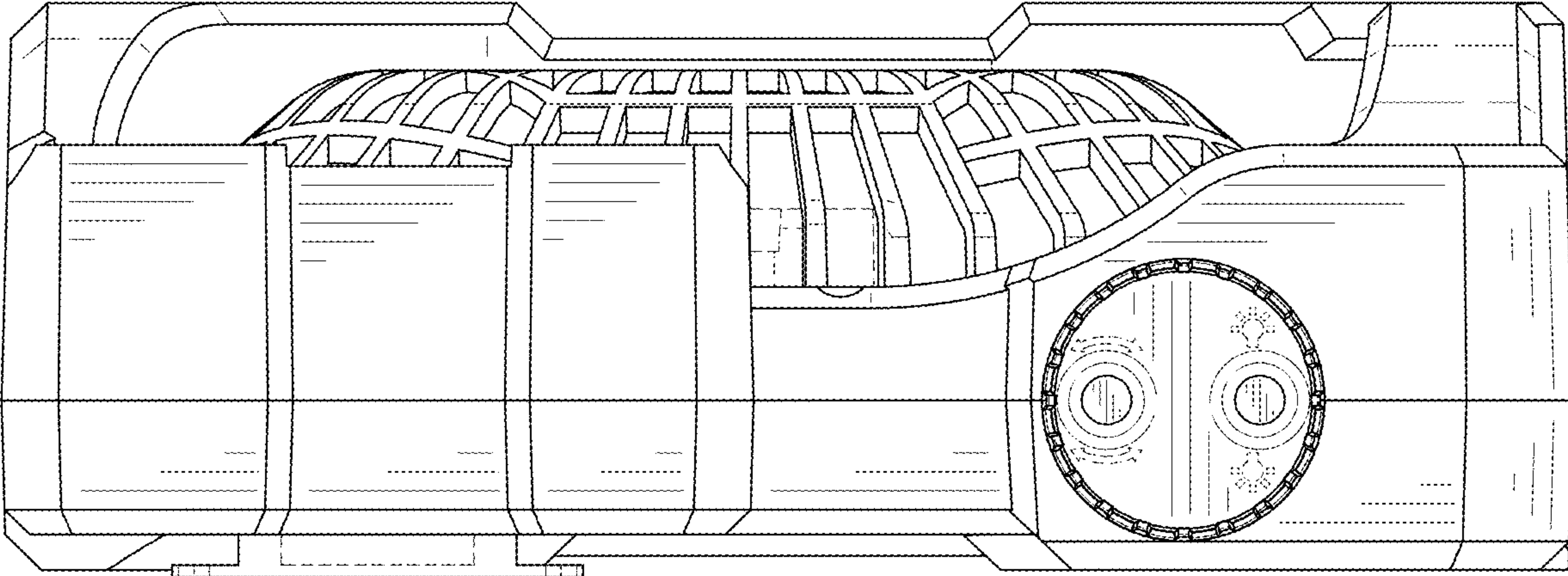


FIG. 7

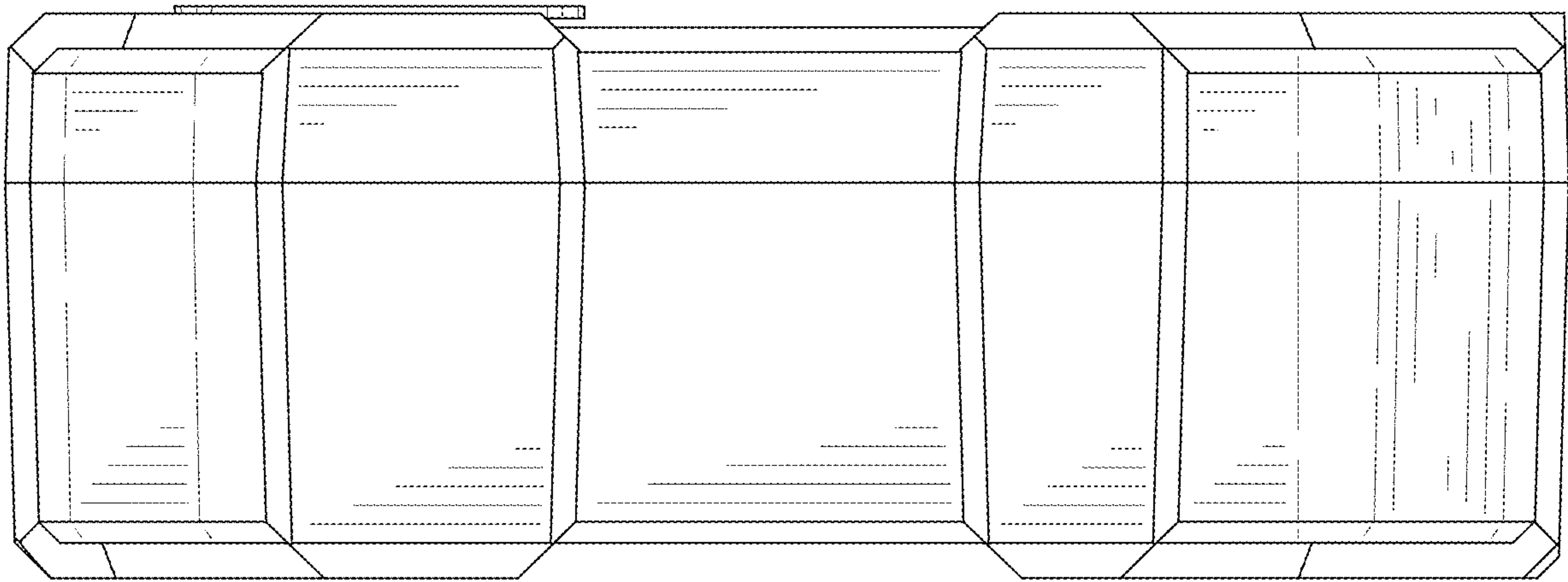


FIG. 8

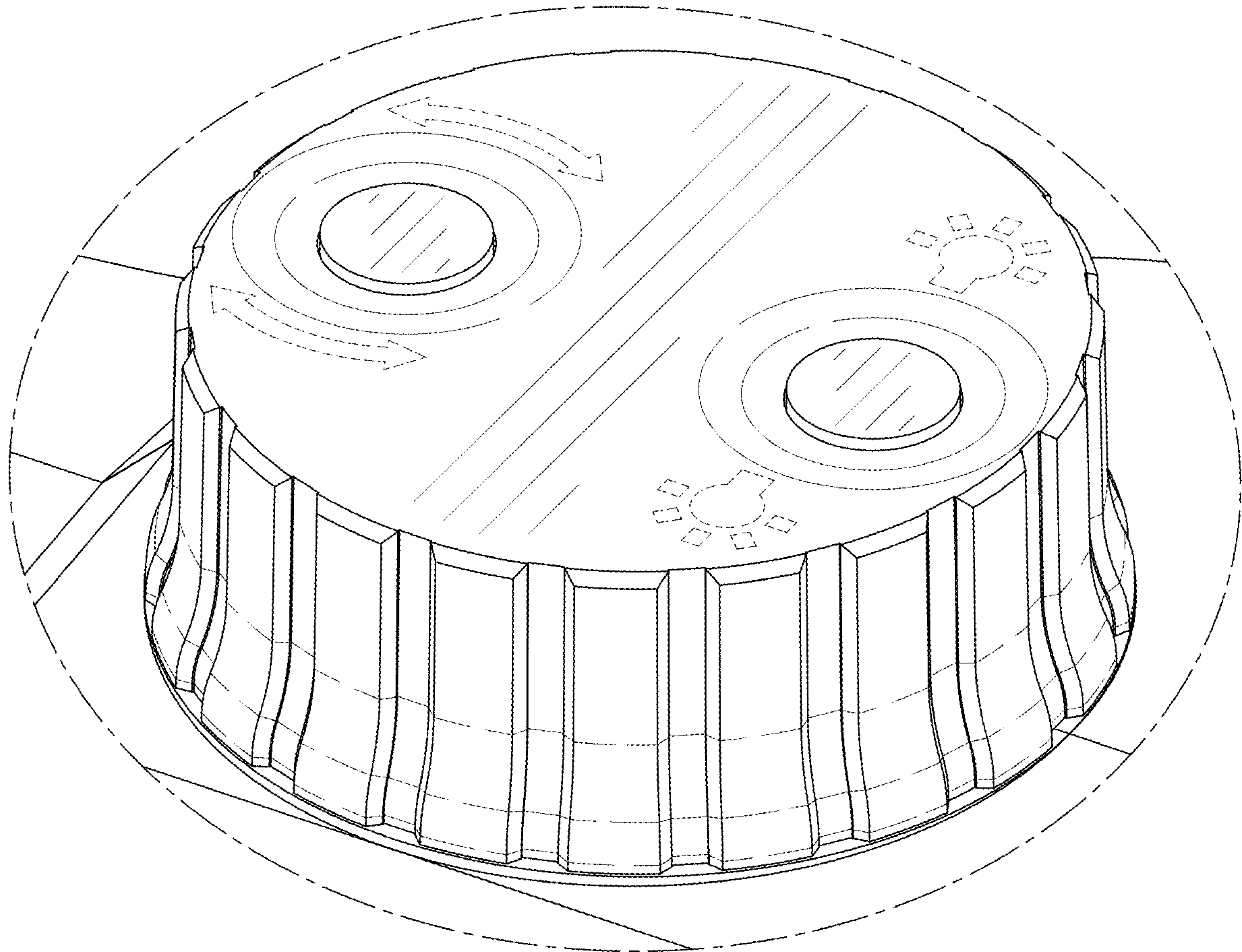


FIG. 9

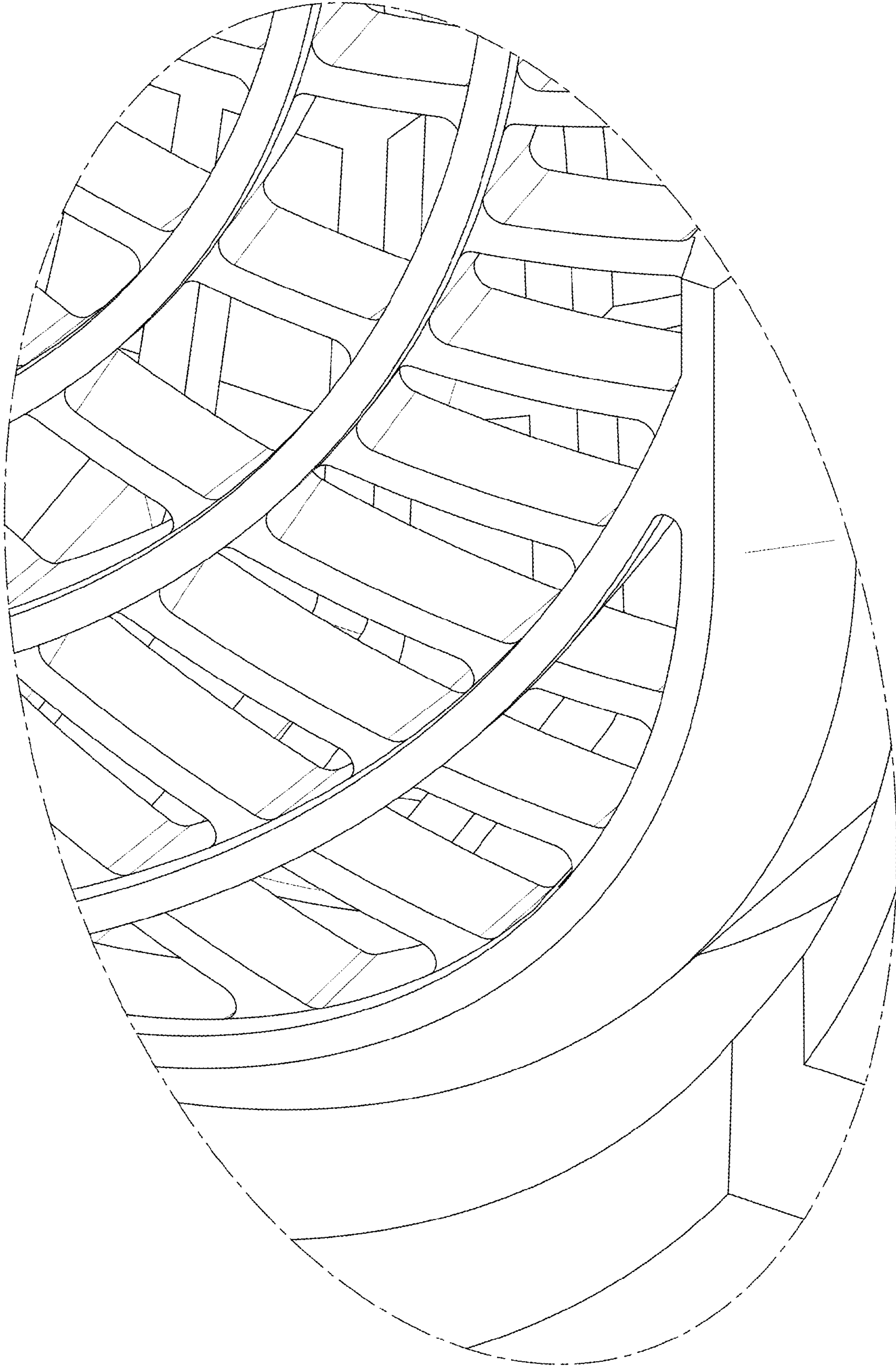


FIG. 10

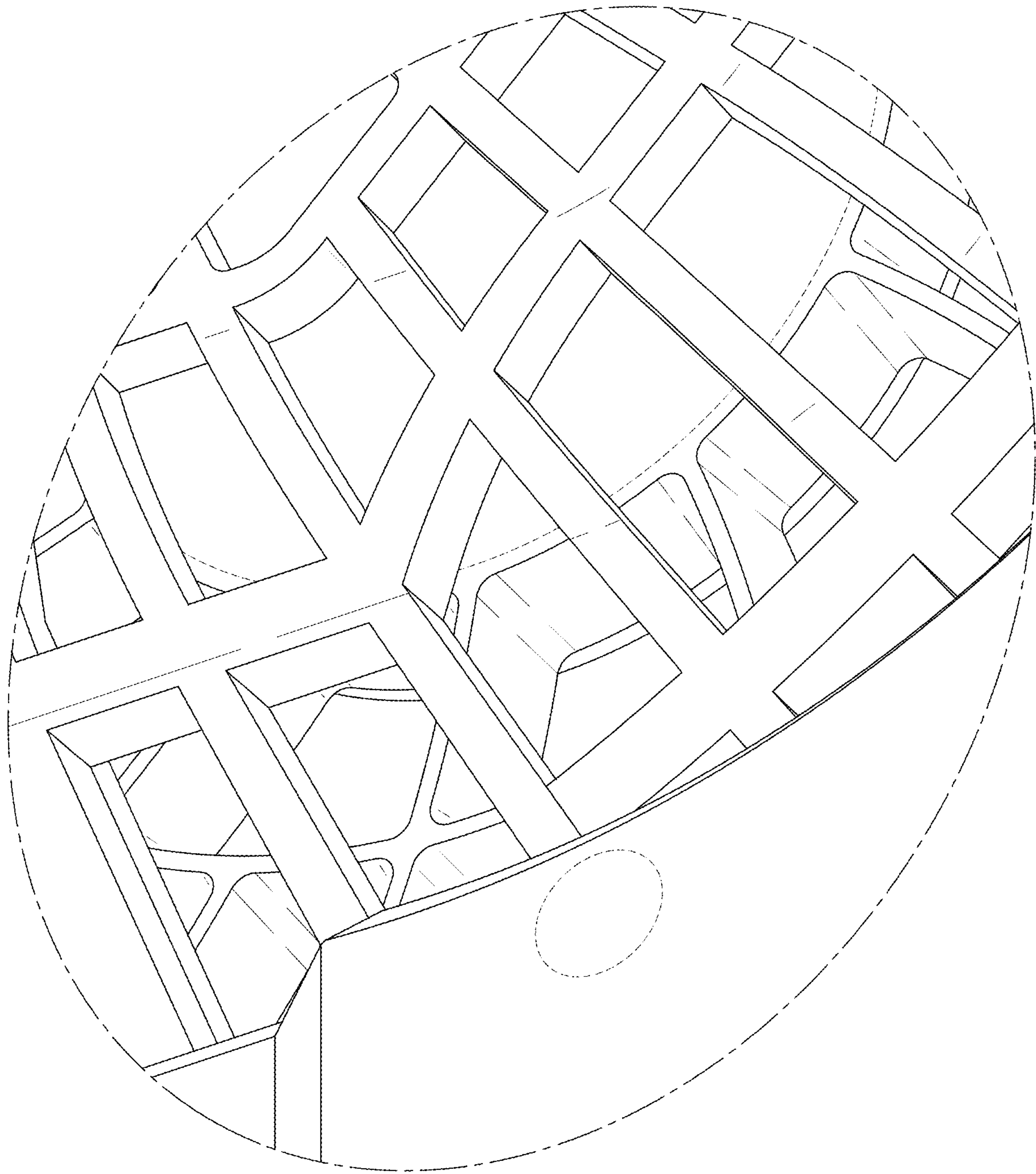


FIG. 11