

US00D962415S

(12) **United States Design Patent** (10) **Patent No.:** **US D962,415 S**
Zhao (45) **Date of Patent:** **** Aug. 30, 2022**

(54) **BLADELESS FAN**
(71) Applicant: **MIDEA GROUP CO., LTD.**, Foshan (CN)
(72) Inventor: **Lei Zhao**, Guangdong (CN)
(73) Assignee: **MIDEA GROUP CO., LTD.**, Foshan (CN)
(**) Term: **15 Years**
(21) Appl. No.: **35/511,077**
(22) Filed: **Oct. 13, 2020**
(80) **Hague Agreement Data**
Int. Filing Date: **Oct. 13, 2020**
Int. Reg. No.: **DM/211841**
Int. Reg. Date: **Oct. 13, 2020**
Int. Reg. Pub. Date: **Jan. 1, 2021**

(30) **Foreign Application Priority Data**
May 21, 2020 (CN) 202030239288.4
(51) **LOC (13) Cl.** **23-04**
(52) **U.S. Cl.**
USPC **D23/378**
(58) **Field of Classification Search**
USPC D23/370-385, 411-414; D13/179
CPC F04D 25/088; F04D 25/06; F04D 29/38;
F04D 29/522; F04D 29/5853; F04D
29/326; F01P 5/02
See application file for complete search history.

(56) **References Cited**
U.S. PATENT DOCUMENTS

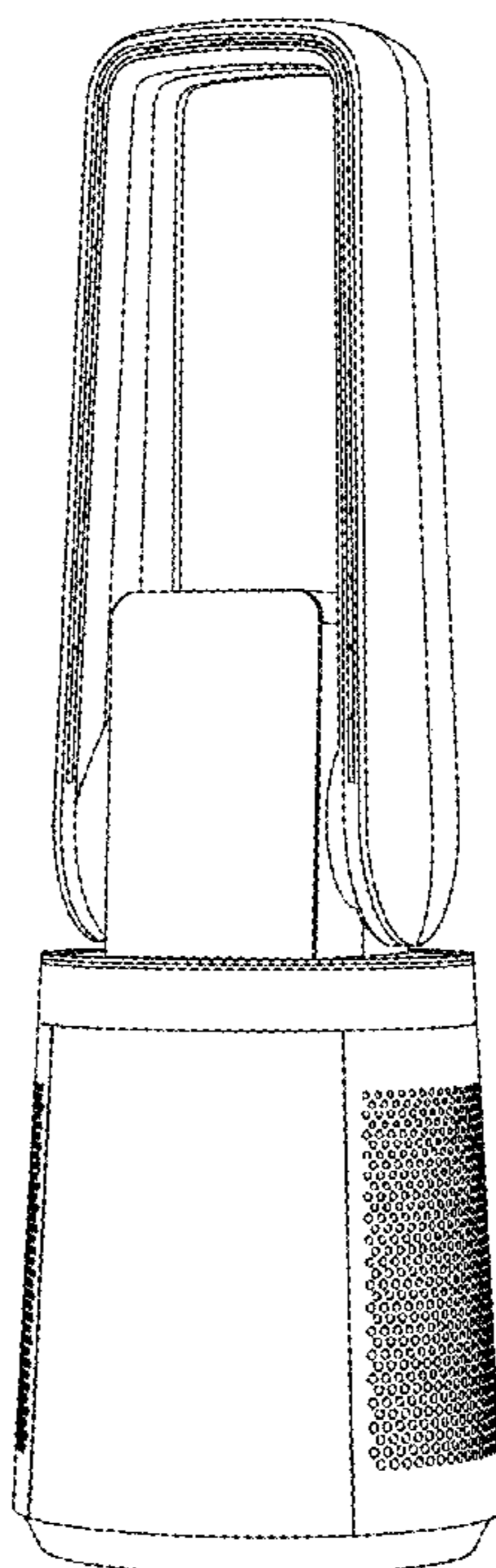
D638,114 S *	5/2011	Li	D23/370
D705,415 S *	5/2014	Lo	D23/370
D722,374 S *	2/2015	Lewis	D23/332
D728,092 S *	4/2015	Poulton	D23/370
D728,769 S *	5/2015	Dyson	D23/370
D729,376 S *	5/2015	McPherson	D23/370
D729,377 S *	5/2015	Chen	D23/378
D744,630 S *	12/2015	Ying	D23/378
D768,280 S *	10/2016	Peet	D23/370
D783,140 S *	4/2017	Poulton	D23/370
D888,219 S *	6/2020	Peet	D23/370
D923,166 S *	6/2021	Zhao	D23/370
D923,767 S *	6/2021	Oram	D23/356
D930,140 S *	9/2021	Fu	D23/370
D939,072 S *	12/2021	Fu	D23/370
2014/0147297 A1 *	5/2014	Iyer	F04D 29/5826 417/158

* cited by examiner
Primary Examiner — Natasha Vujcic

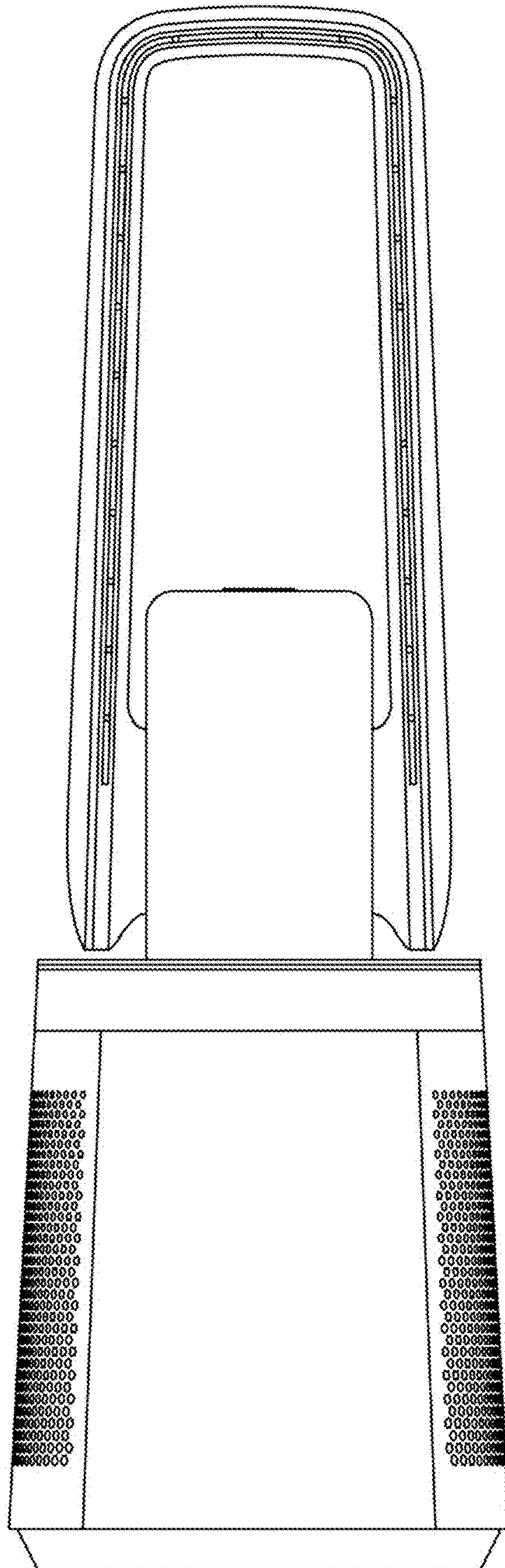
(57) **CLAIM**
The ornamental design for a bladeless fan, as shown and described.

DESCRIPTION
1. Bladeless fan
1.1 Front
1.2 Back
1.3 Left
1.4 Right
1.5 Top
1.6 Bottom
1.7 Perspective

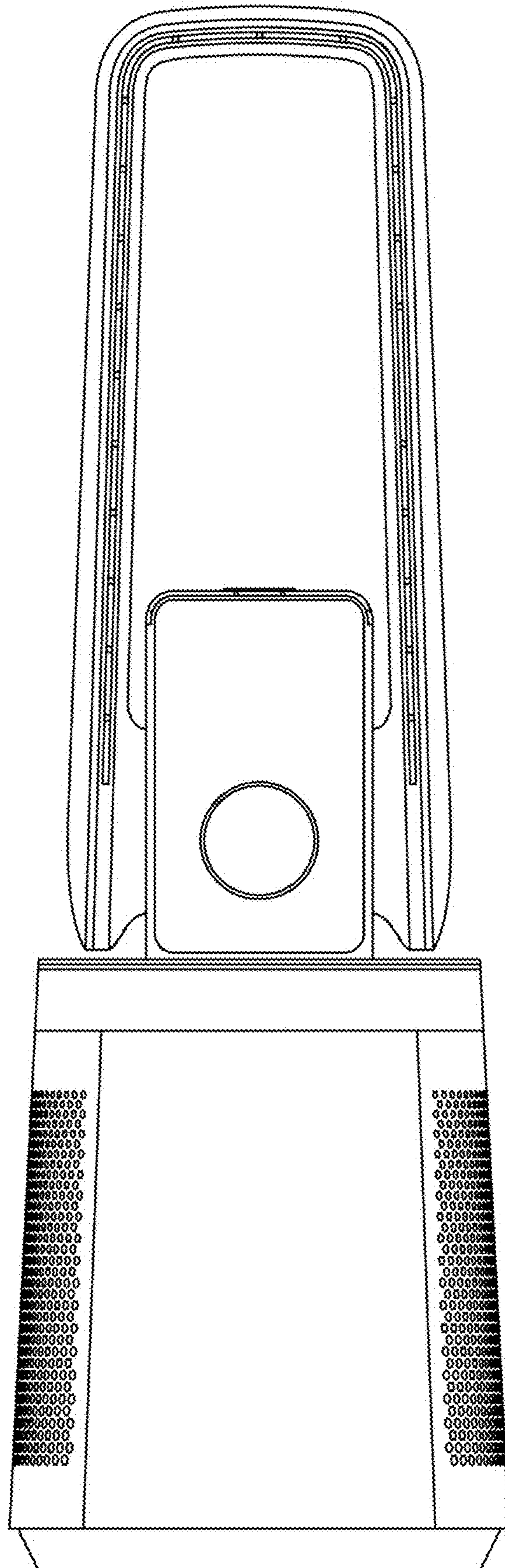
1 Claim, 7 Drawing Sheets



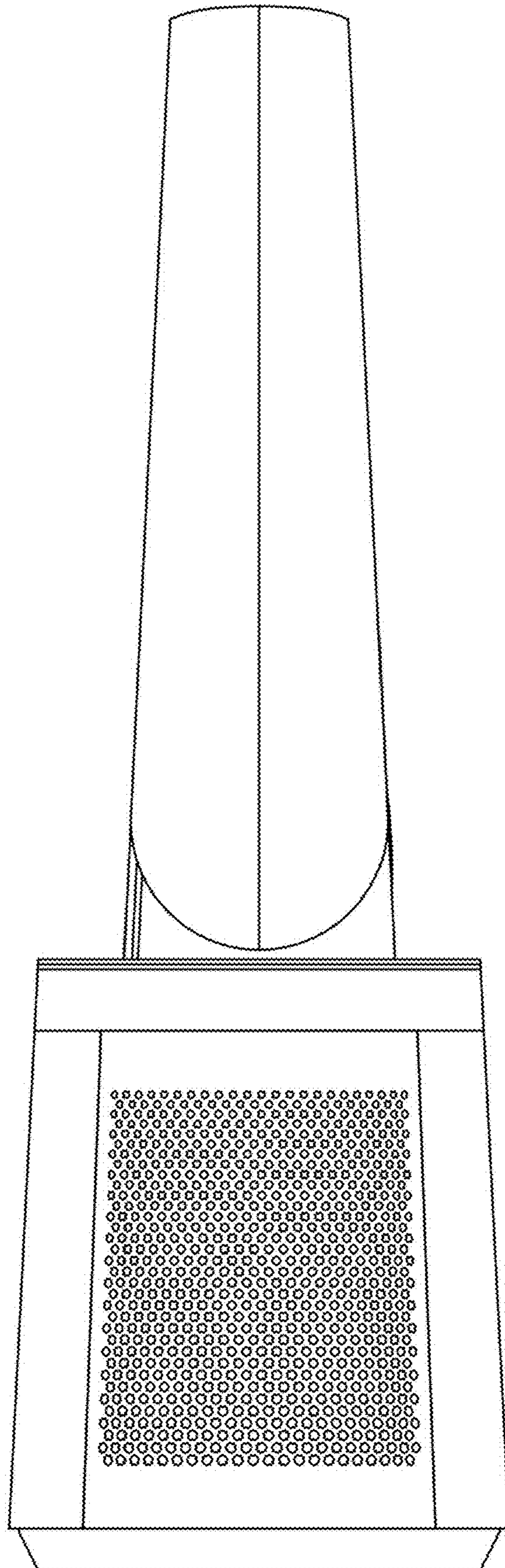
1.1



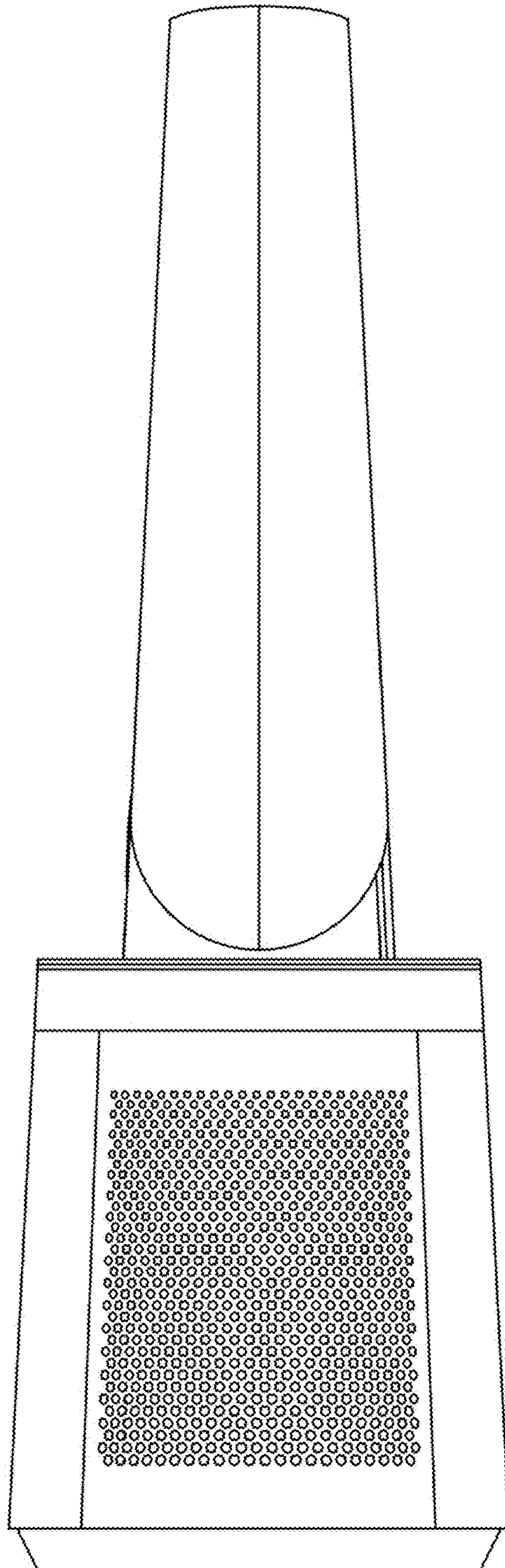
1.2



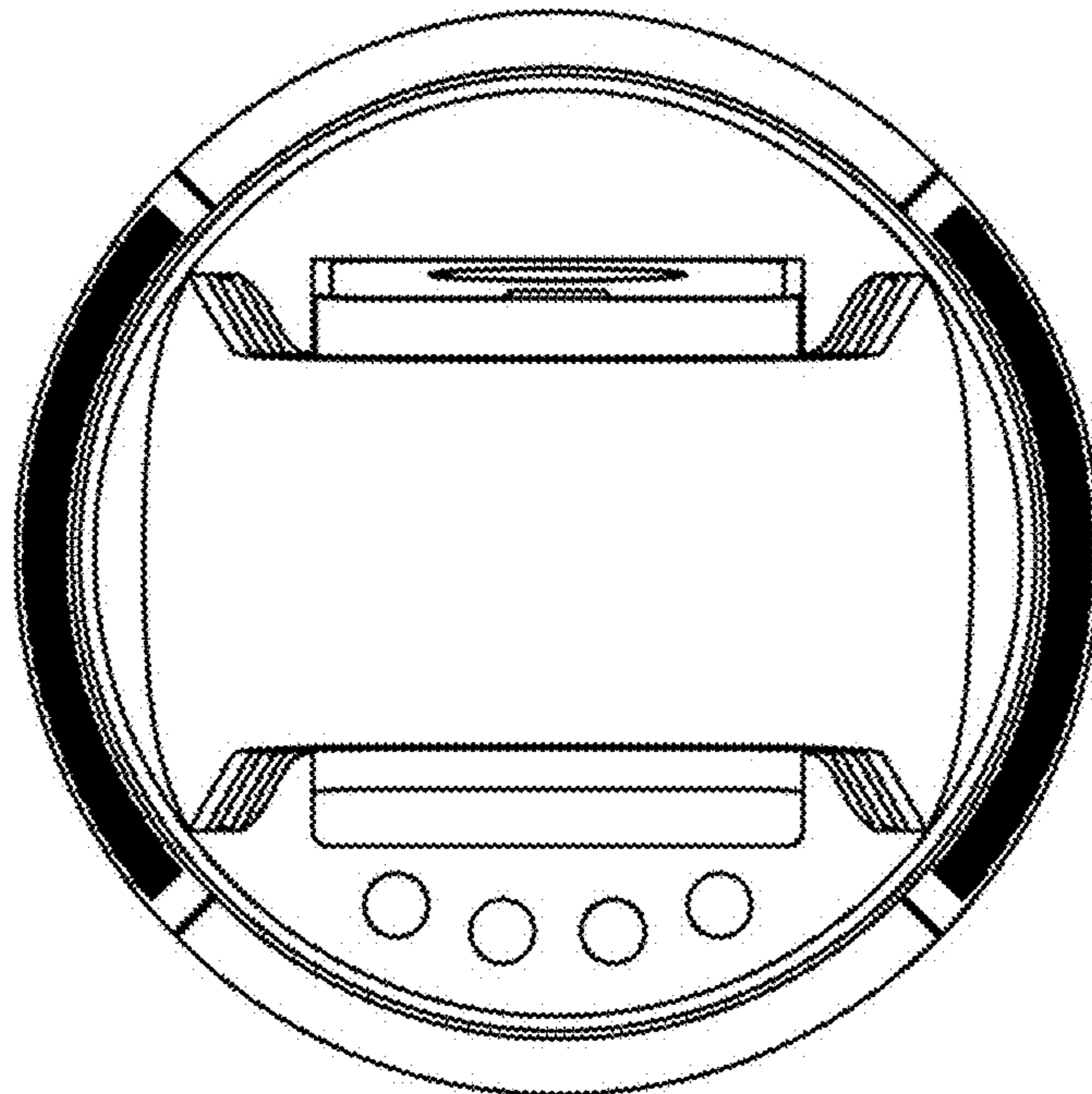
1.3



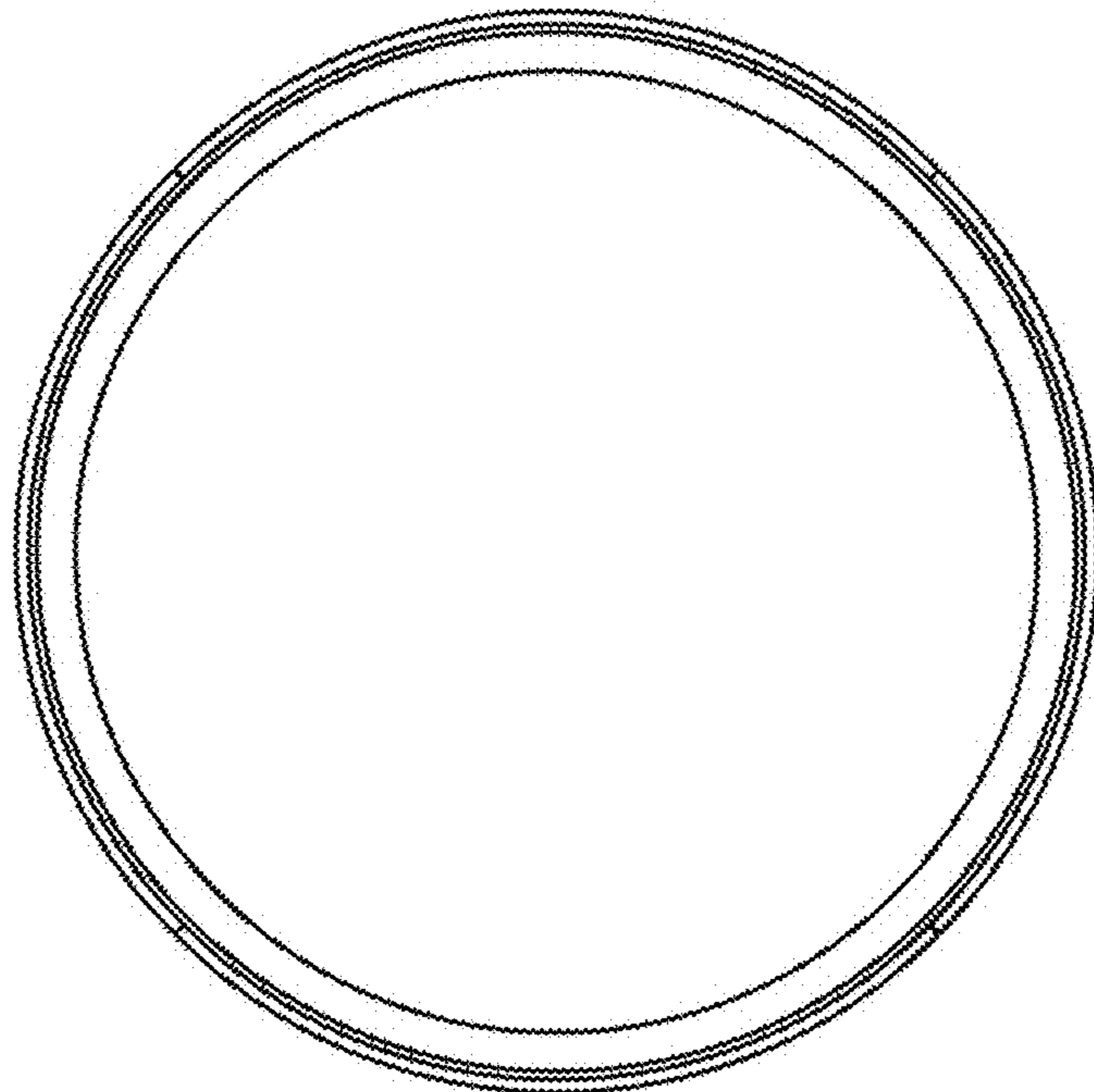
1.4



1.5



1.6



1.7

