



US00D962414S

(12) **United States Design Patent** (10) **Patent No.:** **US D962,414 S**
Zhang et al. (45) **Date of Patent:** **** Aug. 30, 2022**

(54) **FAN**
(71) Applicant: **BEIJING XIAOMI MOBILE SOFTWARE CO., LTD.**, Beijing (CN)
(72) Inventors: **Qian Zhang**, Beijing (CN); **Ningning Li**, Beijing (CN)
(73) Assignee: **Beijing Xiaomi Mobile Software Co., Ltd**, Beijing (CN)

D341,652 S * 11/1993 Marino D23/378
D346,440 S * 4/1994 Chiu D23/378
D416,081 S * 11/1999 Lee D23/378
D418,913 S * 1/2000 Thakur D23/378
D420,734 S * 2/2000 Thakur D23/378
D459,464 S * 6/2002 Chura D23/411
D511,570 S * 11/2005 Ke D23/378
D737,420 S * 8/2015 Yeung D23/382
D762,837 S * 8/2016 Yeung D23/378
D881,371 S * 4/2020 Hollinger D23/382
D891,602 S * 7/2020 Wang D23/378
D923,772 S * 6/2021 Chen D23/378

(**) Term: **15 Years**

FOREIGN PATENT DOCUMENTS

(21) Appl. No.: **35/510,348**

KR 3020190024900 1/2020

(22) Filed: **Aug. 21, 2020**

OTHER PUBLICATIONS

(80) **Hague Agreement Data**

Japanese Office Action dated May 14, 2021 in connection with Japanese Patent Application No. 2020-501592.

Int. Filing Date: **Aug. 21, 2020**
Int. Reg. No.: **DM/210206**
Int. Reg. Date: **Aug. 21, 2020**
Int. Reg. Pub. Date: **Sep. 18, 2020**

* cited by examiner

Primary Examiner — Natasha Vujcic
(74) *Attorney, Agent, or Firm* — Amster, Rothstein & Ebenstein LLP

(30) **Foreign Application Priority Data**

Feb. 28, 2020 (CN) 202030064480.4

(51) **LOC (13) Cl.** **23-04**

(52) **U.S. Cl.**
USPC **D23/378**

(58) **Field of Classification Search**
USPC D23/370–385, 411–414; D13/179
CPC F04D 25/088; F04D 25/06; F04D 29/38;
F04D 29/522; F04D 29/5853; F04D
29/326; F01P 5/02
See application file for complete search history.

(57) **CLAIM**

The ornamental design for a fan, as shown and described.

DESCRIPTION

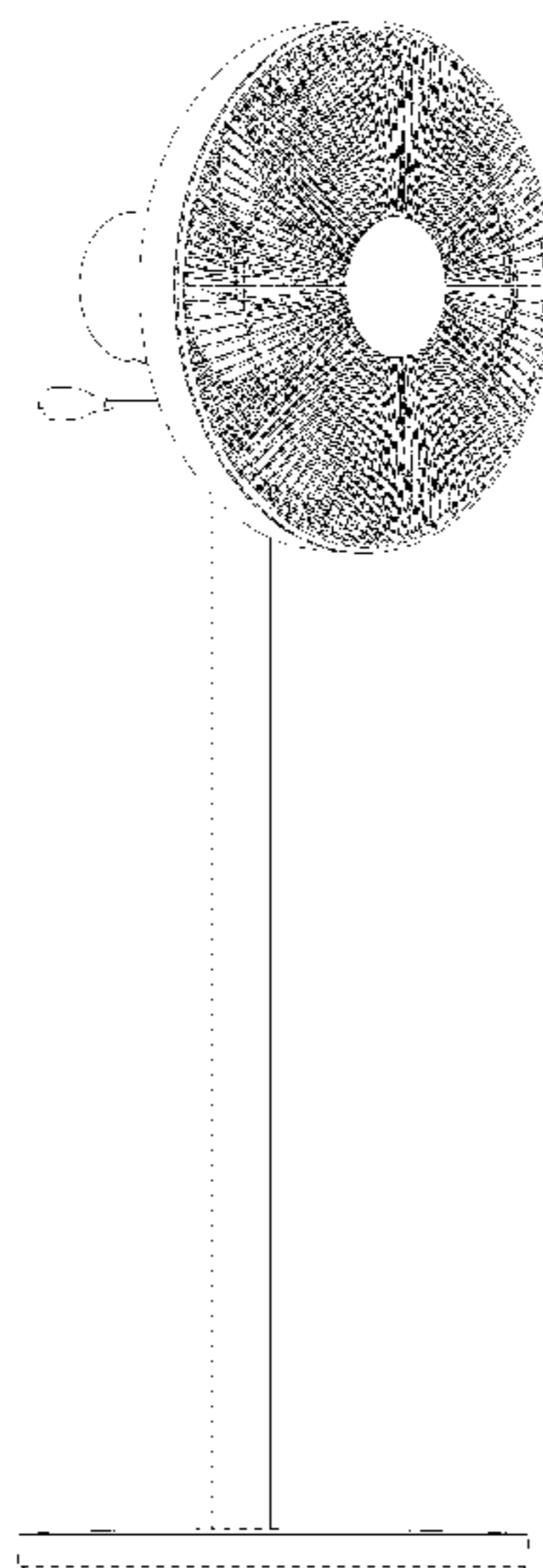
FIG. 1.1 is a front view of a fan showing the new design;
FIG. 1.2 is a back view of the fan;
FIG. 1.3 is a left view of the fan;
FIG. 1.4 is a right view of the fan;
FIG. 1.5 is a top view of the fan;
FIG. 1.6 is a bottom view of the fan;
FIG. 1.7 is a perspective view of the fan; and
FIG. 1.8 is another perspective view of the fan.
The broken lines depict those portions of the fan that form no part of the claimed design.

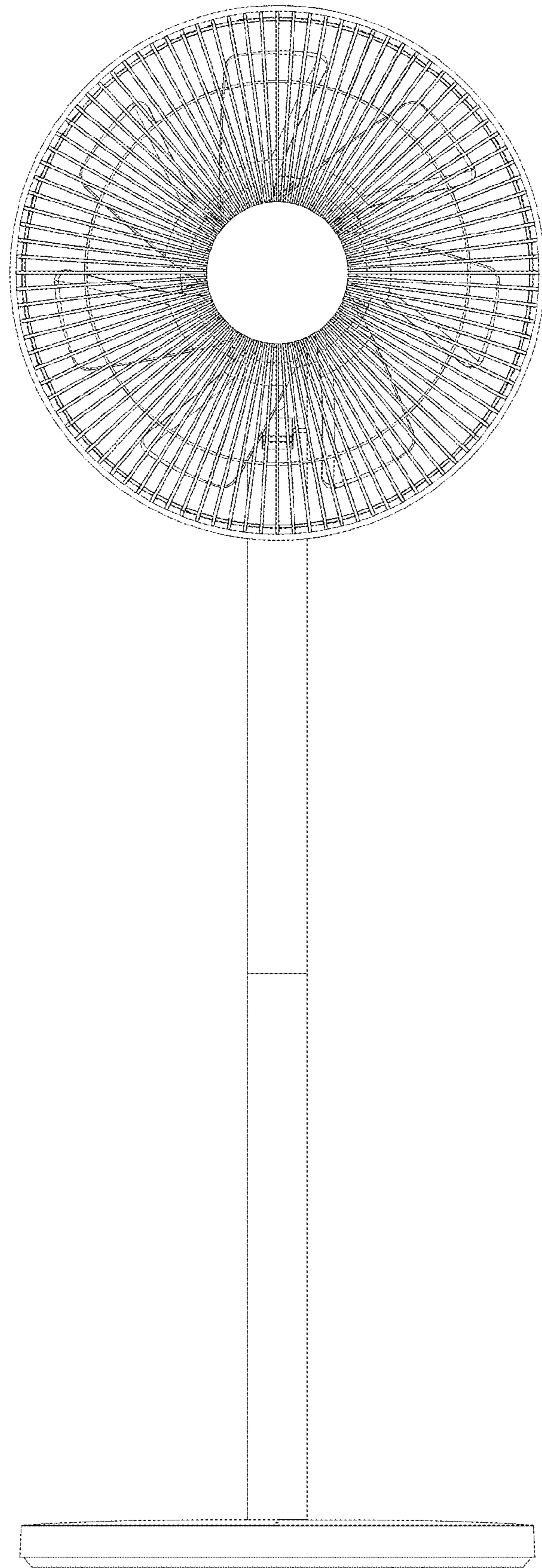
(56) **References Cited**

U.S. PATENT DOCUMENTS

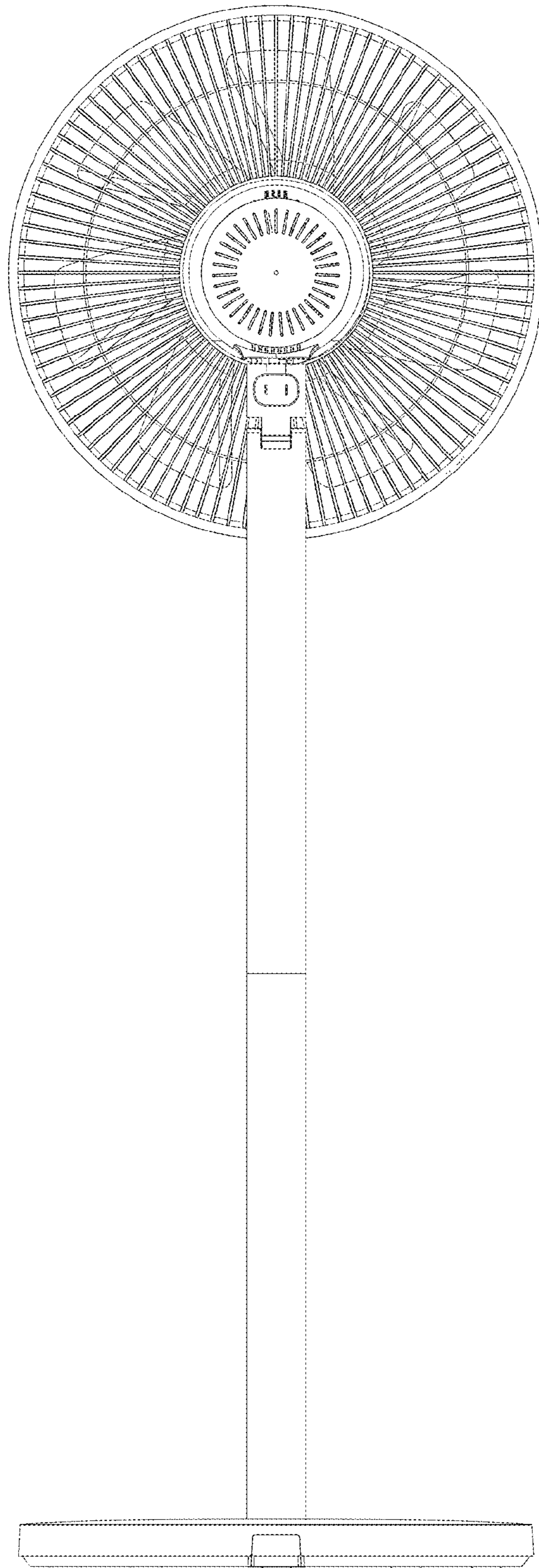
D314,428 S * 2/1991 Wang D23/378
D316,599 S * 4/1991 Wang D23/378

1 Claim, 7 Drawing Sheets

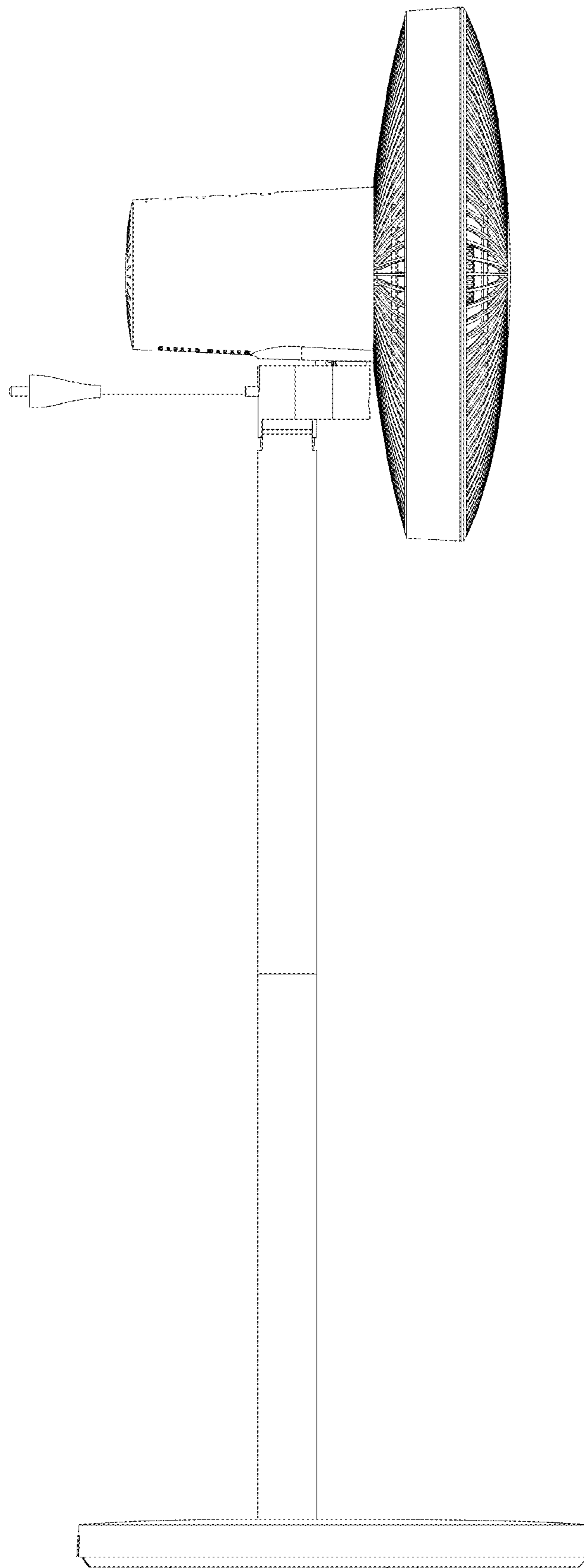




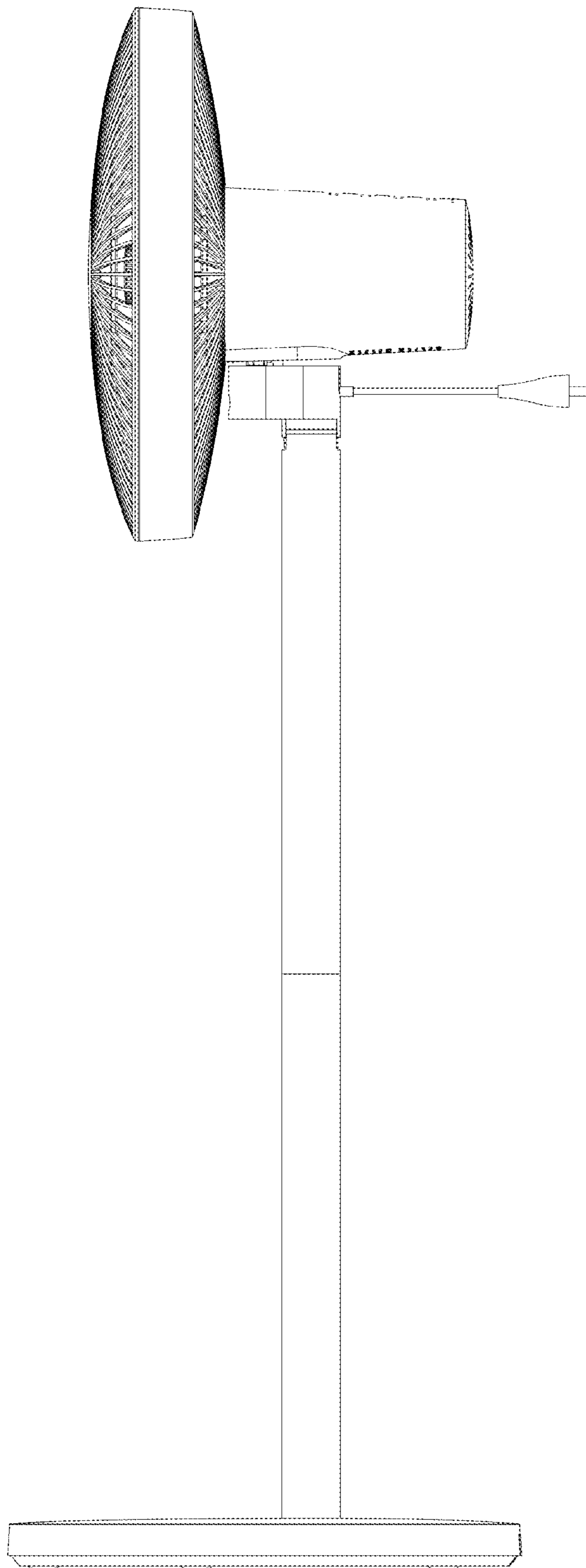
1.1



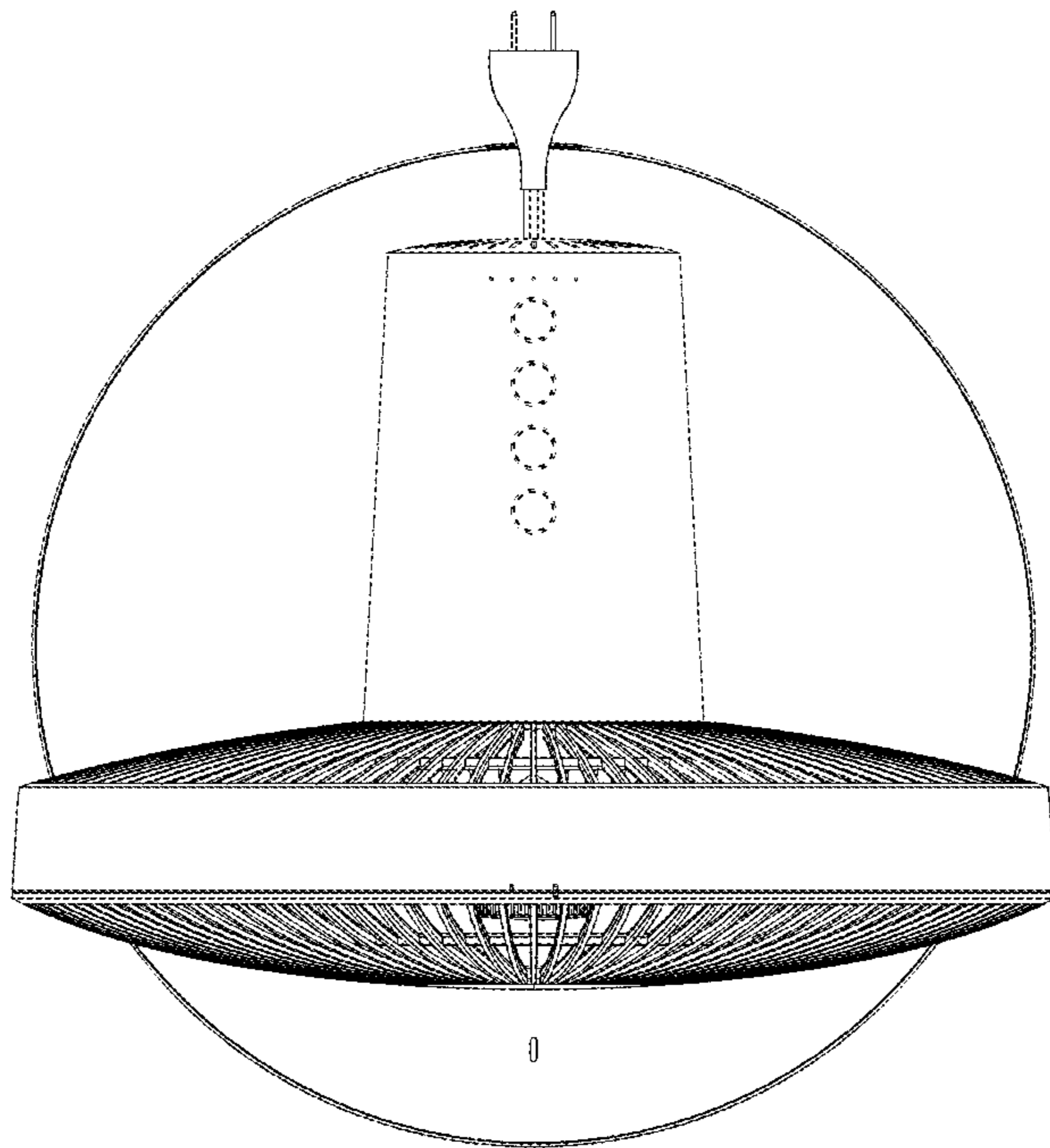
1.2



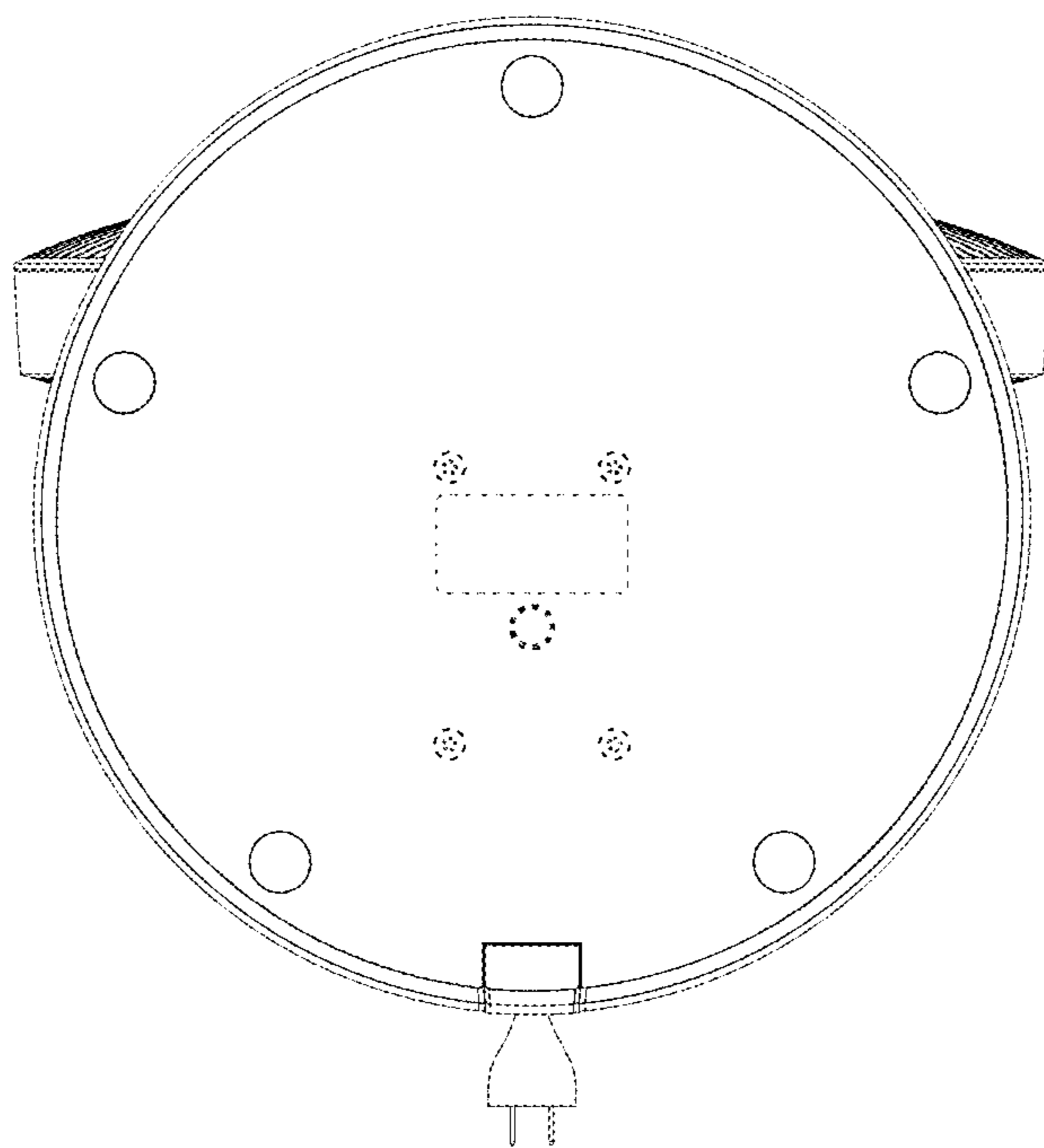
1.3



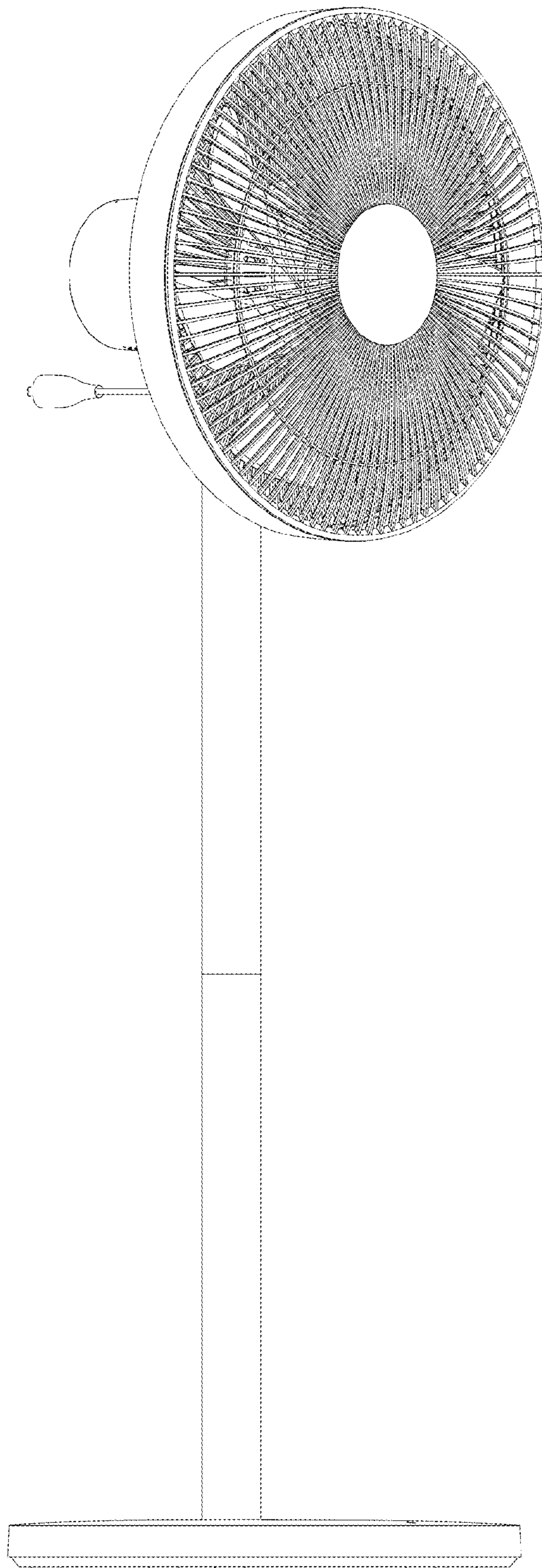
1.4



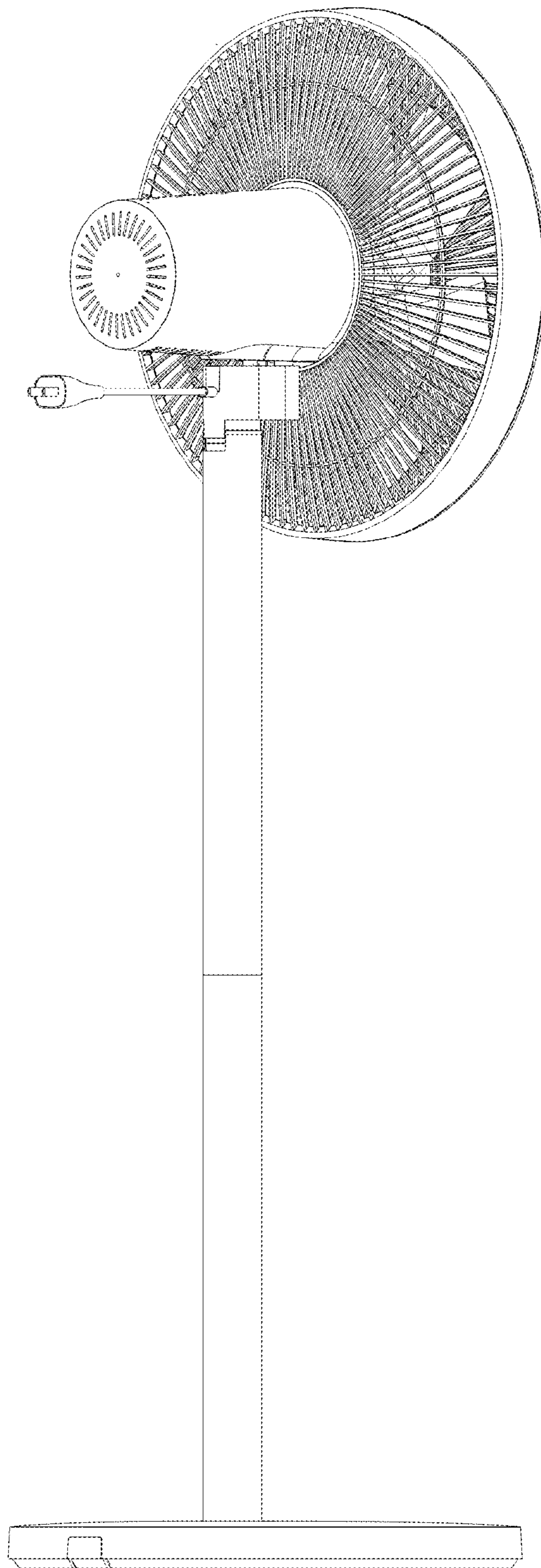
1.5



1.6



1.7



1.8