



US00D962412S

(12) **United States Design Patent** (10) **Patent No.:** **US D962,412 S**
Shimizu et al. (45) **Date of Patent:** **** Aug. 30, 2022**

(54) **AIR PURIFIER**

(71) Applicant: **SHARP KABUSHIKI KAISHA**, Sakai (JP)

(72) Inventors: **Eiichi Shimizu**, Sakai (JP); **Shunsuke Nara**, Sakai (JP); **Jinni Zhang**, Sakai (JP)

(73) Assignee: **SHARP KABUSHIKI KAISHA**, Sakai (JP)

(**) Term: **15 Years**

(21) Appl. No.: **29/773,558**

(22) Filed: **Mar. 10, 2021**

(30) **Foreign Application Priority Data**

Oct. 1, 2020 (JP) 2020-021012 D

(51) **LOC (13) Cl.** **23-04**

(52) **U.S. Cl.**
USPC **D23/364**

(58) **Field of Classification Search**
USPC D23/355-366, 352, 369, 332, 333, 335, D23/336, 342, 351; 422/120, 122; 55/356, 473, 504; 96/97; 261/DIG. 17, 261/DIG. 65, DIG. 88, DIG. 31
CPC .. A61L 9/16; A61L 9/22; B01D 47/00; B01D 47/027; B01D 2221/02; B01D 2259/4508; B03C 3/155; B03C 3/368; F24F 3/16; F24F 13/20; F24F 13/28
See application file for complete search history.

(56) **References Cited**

U.S. PATENT DOCUMENTS

D683,439 S * 5/2013 Choi D23/364
D729,919 S * 5/2015 Yeom D23/359
D734,843 S * 7/2015 Yeom D23/359
D735,845 S * 8/2015 Huang D23/359

D801,502 S * 10/2017 Hu D23/355
D844,766 S * 4/2019 Miao D23/364
D854,133 S * 7/2019 Sheng D23/359
D888,920 S * 6/2020 Fujii D23/364
D888,921 S * 6/2020 Fujii D23/364
D889,621 S * 7/2020 Huang D23/364
D890,904 S * 7/2020 Farone D23/364

(Continued)

FOREIGN PATENT DOCUMENTS

CN 304401797 S 12/2017
CN 304768729 S 8/2018

(Continued)

Primary Examiner — David G Muller

(74) *Attorney, Agent, or Firm* — ScienBiziP, P.C.

(57) **CLAIM**

The ornamental design for an air purifier, as shown and described.

DESCRIPTION

FIG. 1 is a right, front, and top perspective view of an air purifier showing our design.

FIG. 2 is a front elevational view of the air purifier in FIG. 1.

FIG. 3 is a rear elevational view of the air purifier in FIG. 1.

FIG. 4 is a left-side elevational view of the air purifier in FIG. 1.

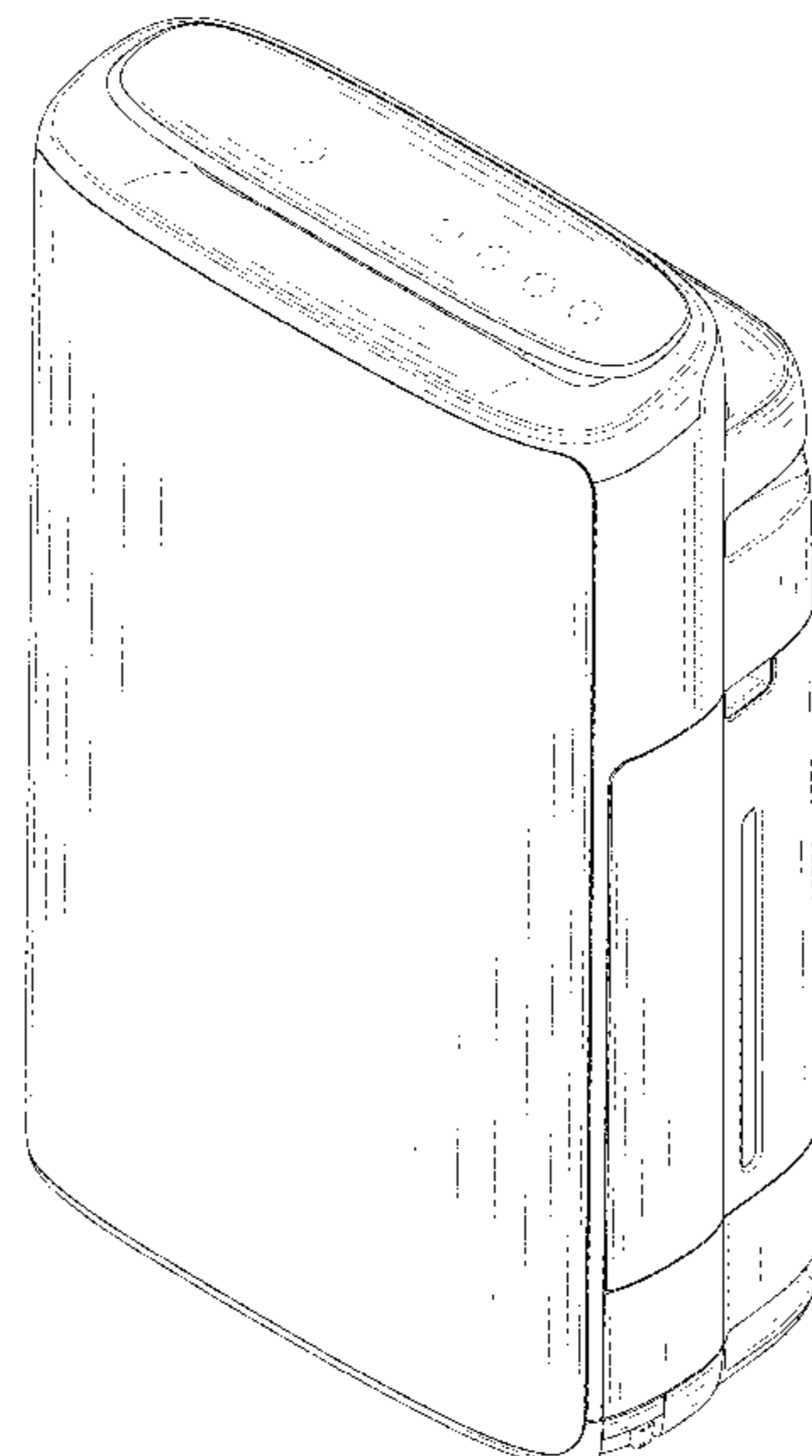
FIG. 5 is a right-side elevational view of the air purifier in FIG. 1.

FIG. 6 is a top plan view of the air purifier in FIG. 1.

FIG. 7 is a bottom plan view of the air purifier in FIG. 1; and, FIG. 8 is a partially enlarged view of the air purifier in FIG. 6.

The broken lines shown in the drawings are included for the purpose of illustrating portions of the air purifier that form no part of the claimed design.

1 Claim, 8 Drawing Sheets



(56)

References Cited

U.S. PATENT DOCUMENTS

D939,069 S * 12/2021 Yang D23/356
 D948,011 S * 4/2022 Huang D23/359

FOREIGN PATENT DOCUMENTS

CN 304773118 S 8/2018
 CN 304822374 S 9/2018
 CN 305023719 S 2/2019
 CN 305038458 S 2/2019
 CN 305072136 S 3/2019
 EM 003028695-0001 S 3/2016
 JP 1263375 S 2/2006
 JP 1263520 S 2/2006
 JP 1263958 S 2/2006
 JP 1263959 S 2/2006
 JP 1276285 S 7/2006
 JP 1292103 S 1/2007

JP 1292390 S 1/2007
 JP 1293625 S 2/2007
 JP 1320125 S 1/2008
 JP 1340462 S 9/2008
 JP 1340852 S 9/2008
 JP 1346293 S 12/2008
 JP 1346294 S 12/2008
 JP 1357811 S 4/2009
 JP 1369109 S 9/2009
 JP 1369622 S 9/2009
 JP 1468858 S 5/2013
 JP 1468860 S 5/2013
 JP 1471229 S 6/2013
 JP 1471230 S 6/2013
 JP 1471358 S 11/2013
 KR 3008247810000 S 11/2015
 KR 3009193930000 S 8/2017
 KR 3009965850000 S 3/2019
 KR 3010158100000 S 7/2019

* cited by examiner

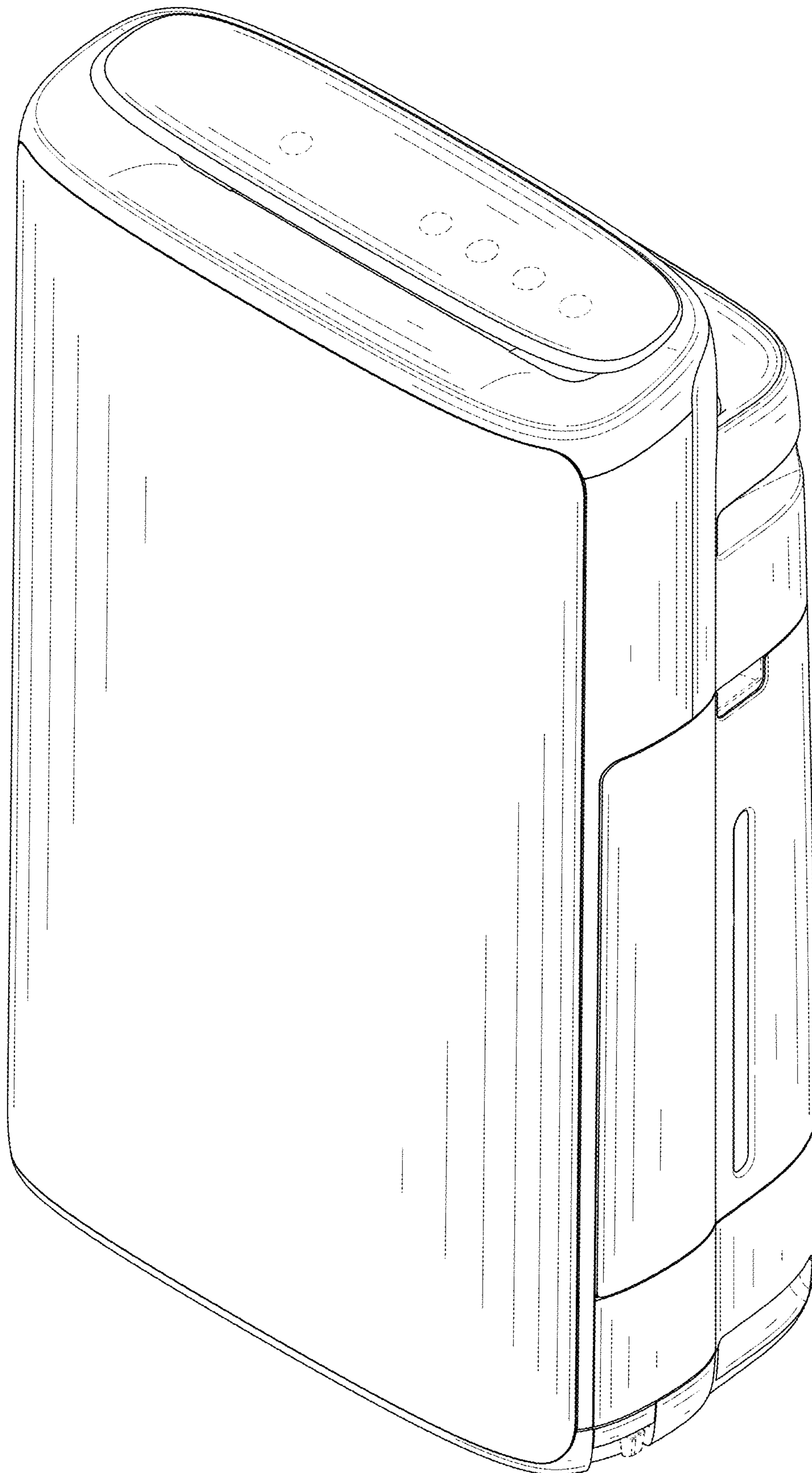


FIG. 1

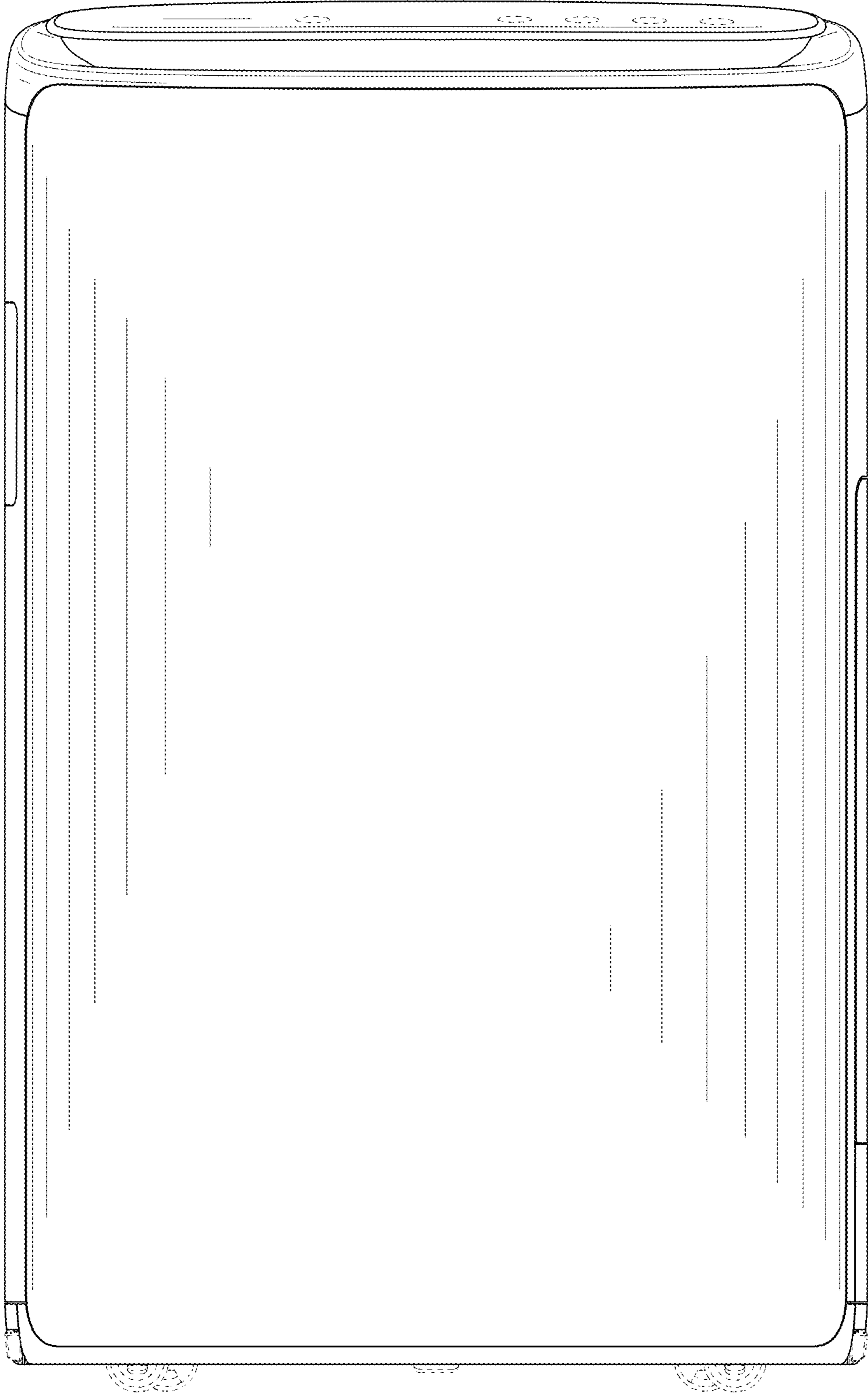


FIG. 2

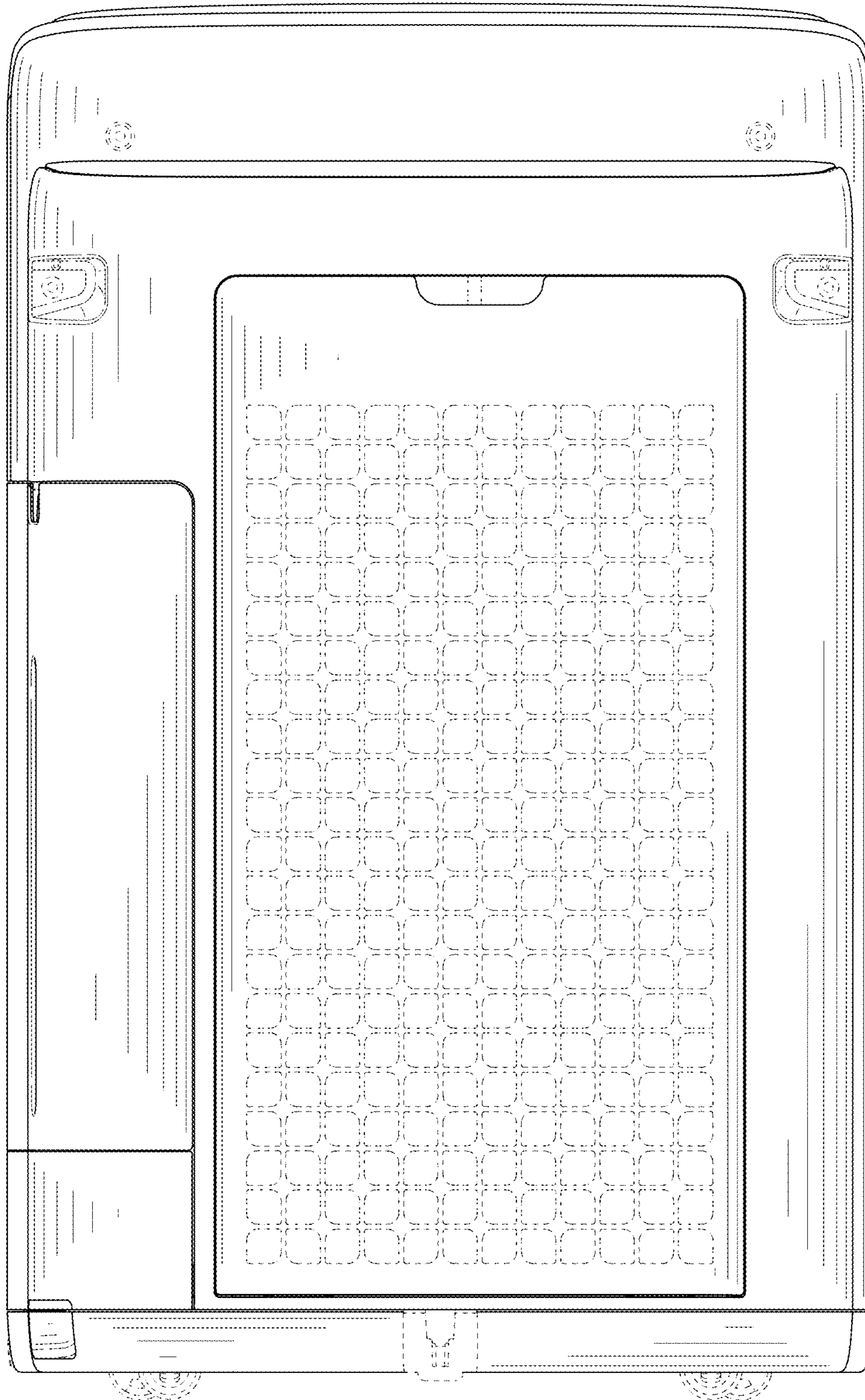


FIG. 3

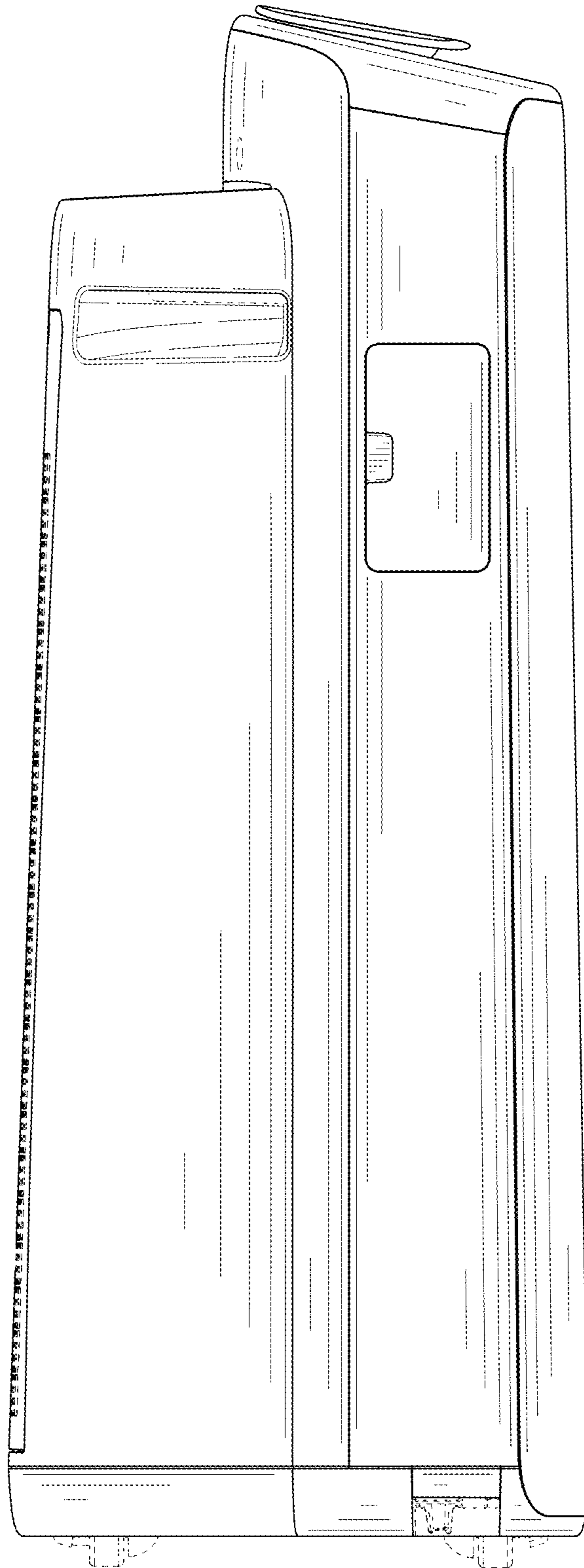


FIG. 4

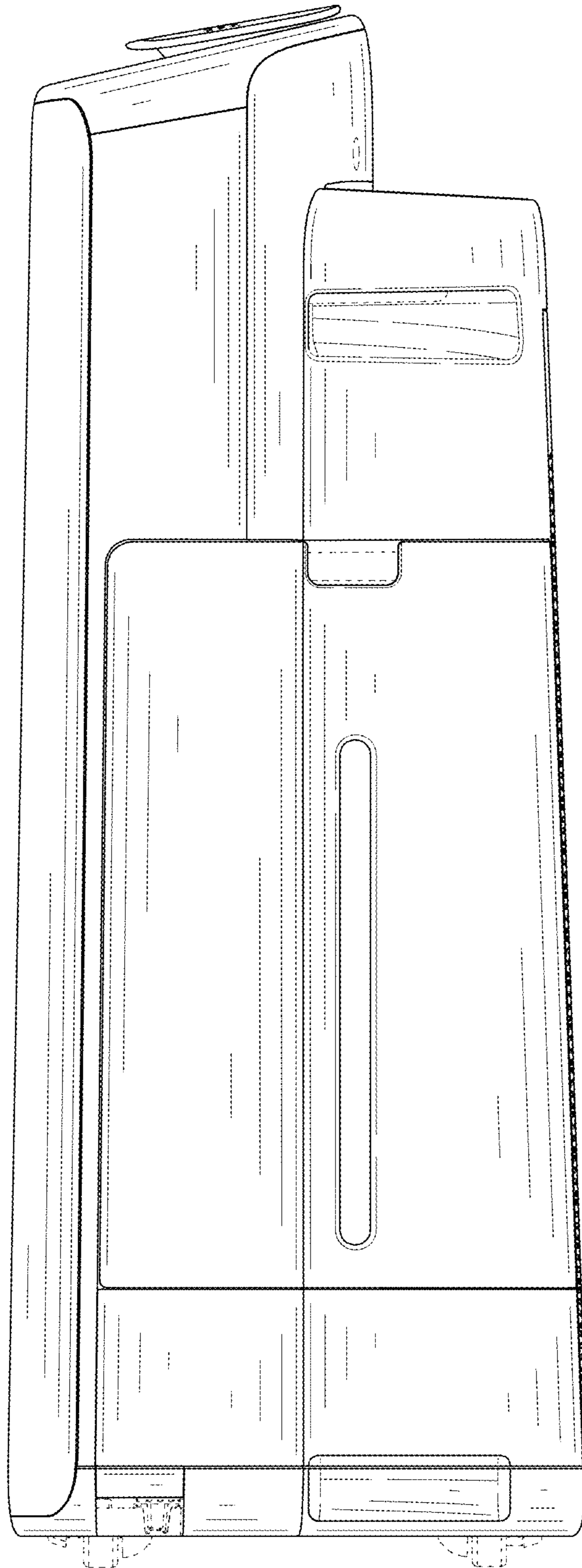


FIG. 5

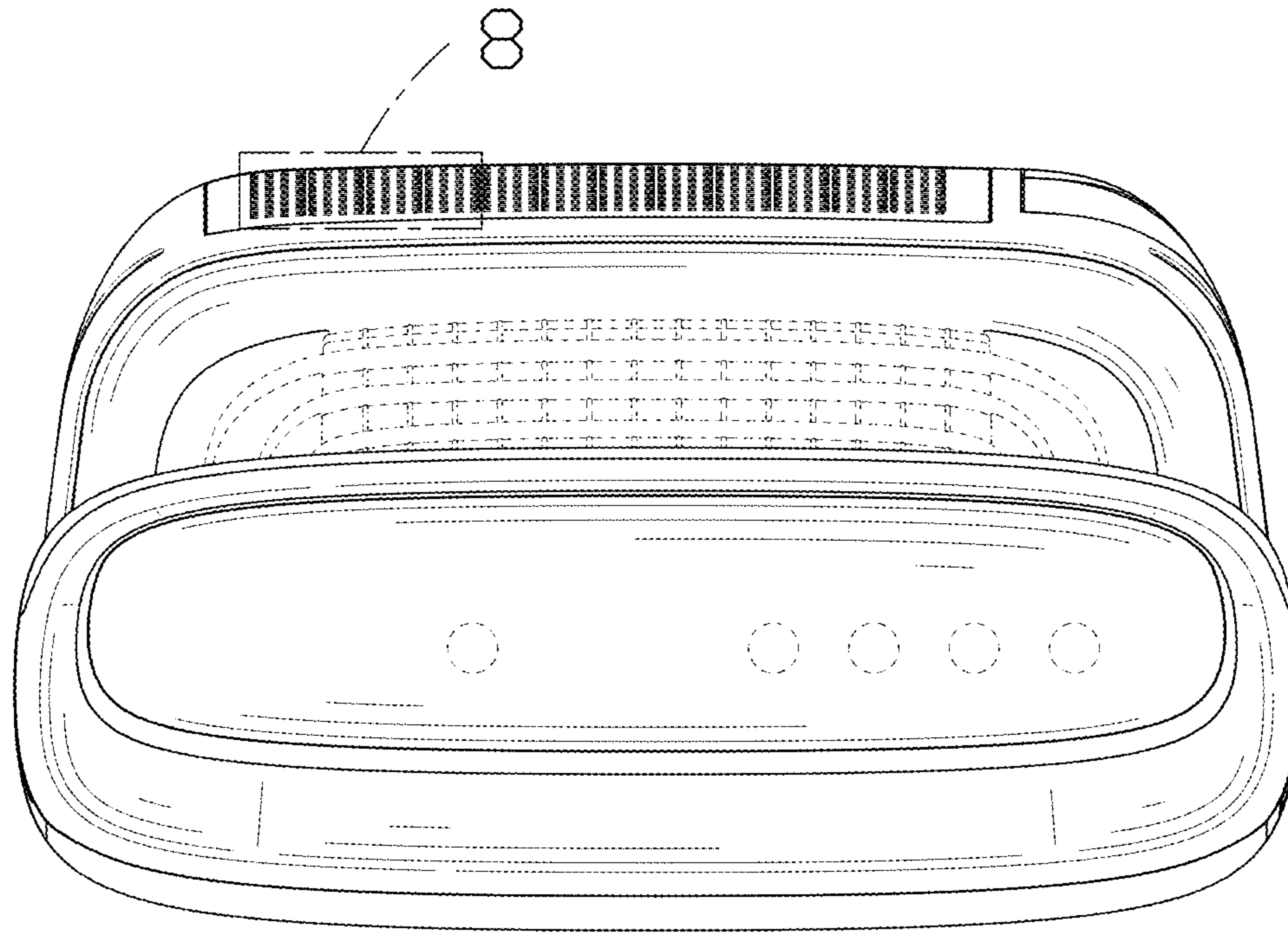


FIG. 6

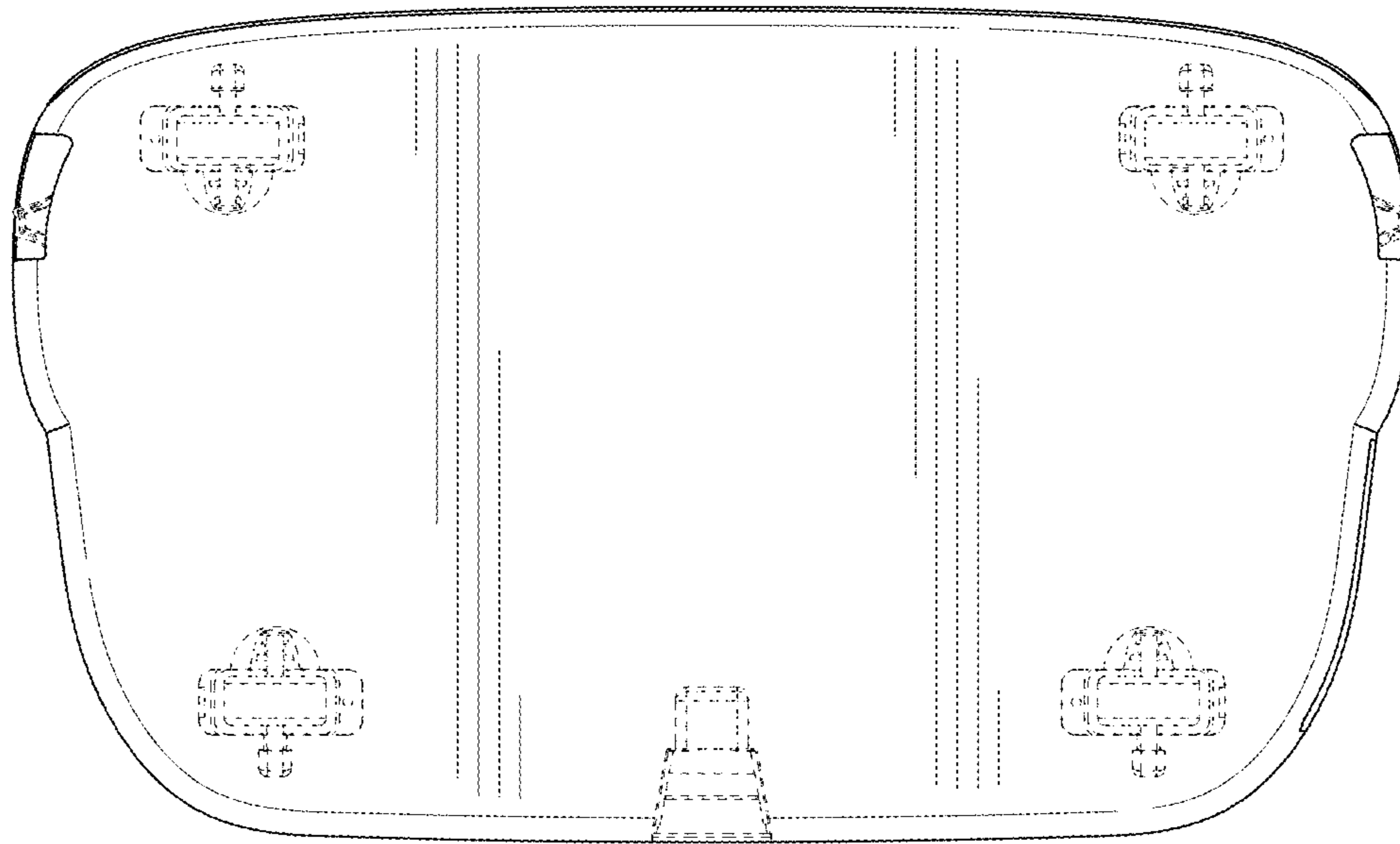


FIG. 7

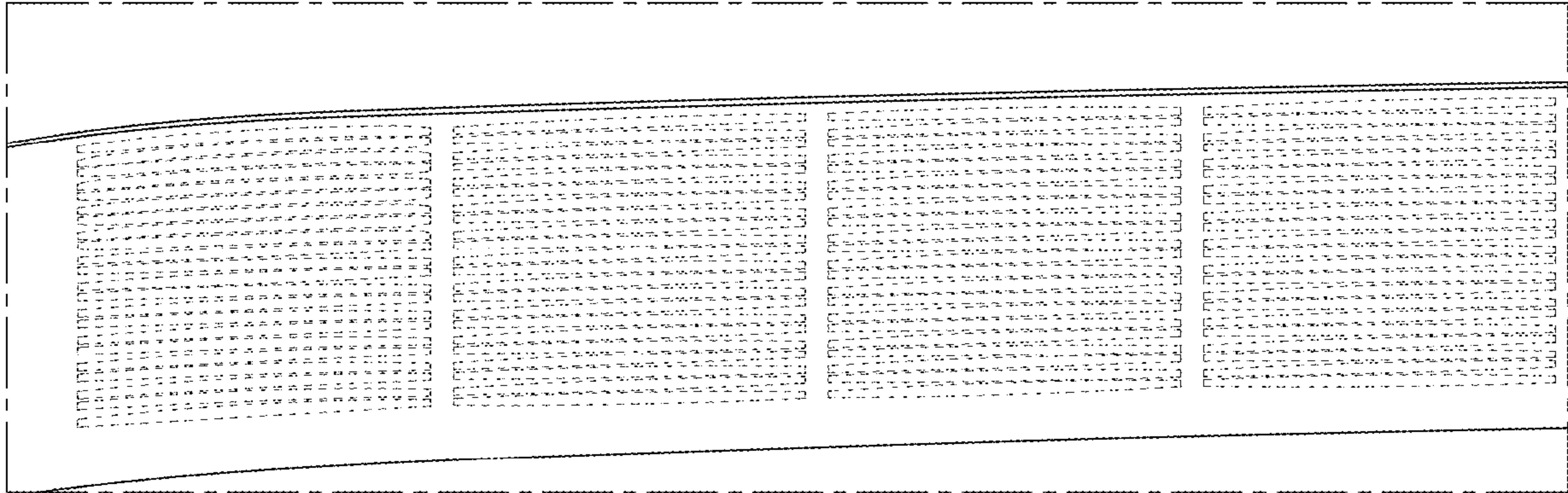


FIG. 8