

US00D962411S

(12) **United States Design Patent** (10) **Patent No.:** **US D962,411 S**  
**Ou** (45) **Date of Patent:** **\*\* Aug. 30, 2022**

(54) **AIR PURIFIER**  
(71) Applicant: **Zhongshan Konlon Electrical Technology Co., Ltd, Zhongshan (CN)**

(72) Inventor: **Amy Ou, Zhongshan (CN)**

(73) Assignee: **Zhongshan Konlon Electrical Technology Co., Ltd, Zhongshan (CN)**

(\*\*) Term: **15 Years**

(21) Appl. No.: **29/772,862**

(22) Filed: **Mar. 4, 2021**

(30) **Foreign Application Priority Data**

Oct. 29, 2020 (CN) ..... 202030649080.X

(51) **LOC (13) Cl.** ..... **23-04**

(52) **U.S. Cl.**  
USPC ..... **D23/364**

(58) **Field of Classification Search**  
USPC ..... D23/355-366, 352, 369, 332, 333, 335, D23/336, 342, 351; 422/120, 122; 55/356, 473, 504; 96/97; 261/DIG. 17, 261/DIG. 65, DIG. 88, DIG. 31  
CPC .. A61L 9/16; A61L 9/22; B01D 47/00; B01D 47/027; B01D 2221/02; B01D 2259/4508; B03C 3/155; B03C 3/368; F24F 3/16; F24F 13/20; F24F 13/28  
See application file for complete search history.

(56) **References Cited**

**U.S. PATENT DOCUMENTS**

D584,805 S \* 1/2009 Yoo ..... D23/333  
D594,947 S \* 6/2009 Lewis ..... D23/314

D638,923 S \* 5/2011 Choi ..... D23/364  
D639,413 S \* 6/2011 Wu ..... D23/364  
D639,920 S \* 6/2011 Lewis ..... D23/314  
7,993,589 B1 \* 8/2011 Shigemoto ..... A61L 9/01  
422/122  
D673,665 S \* 1/2013 Langford ..... D23/359  
D734,843 S \* 7/2015 Yeom ..... D23/359  
D801,502 S \* 10/2017 Hu ..... D23/355  
D807,997 S \* 1/2018 Seo ..... D23/364  
D844,766 S \* 4/2019 Miao ..... D23/364  
D854,133 S \* 7/2019 Sheng ..... D23/359  
D895,093 S \* 9/2020 Nakamura ..... D23/364  
D943,724 S \* 2/2022 Nikitas ..... D23/364  
D948,013 S \* 4/2022 Wen ..... D23/359  
D948,690 S \* 4/2022 Wen ..... D23/359  
D949,308 S \* 4/2022 Huang ..... D23/359  
D949,309 S \* 4/2022 Huang ..... D23/359

\* cited by examiner

*Primary Examiner* — David G Muller

(74) *Attorney, Agent, or Firm* — Georgi Korobanov

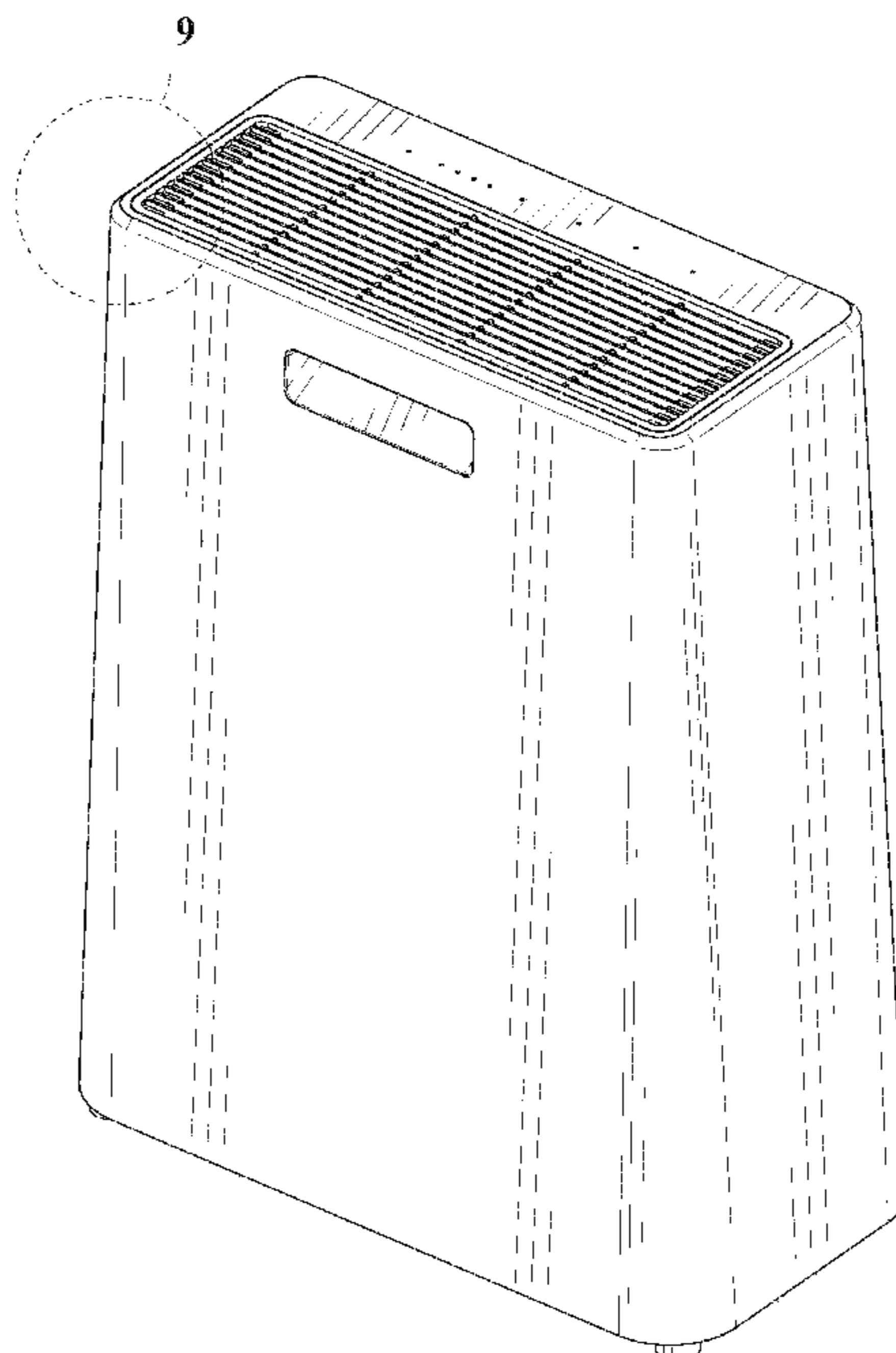
(57) **CLAIM**

The ornamental design for an air purifier, as shown and described.

**DESCRIPTION**

FIG. 1 is a front view of an air purifier showing my new design;  
FIG. 2 is a rear view thereof;  
FIG. 3 is a left side view thereof;  
FIG. 4 is a right side view thereof;  
FIG. 5 is a top plan view thereof;  
FIG. 6 is a bottom plan view thereof;  
FIG. 7 is a perspective view thereof;  
FIG. 8 is another perspective view thereof;  
FIG. 9 is an enlarged view of portion of FIG. 7 thereof; and,  
FIG. 10 is an enlarged view of portion of FIG. 8.

**1 Claim, 10 Drawing Sheets**



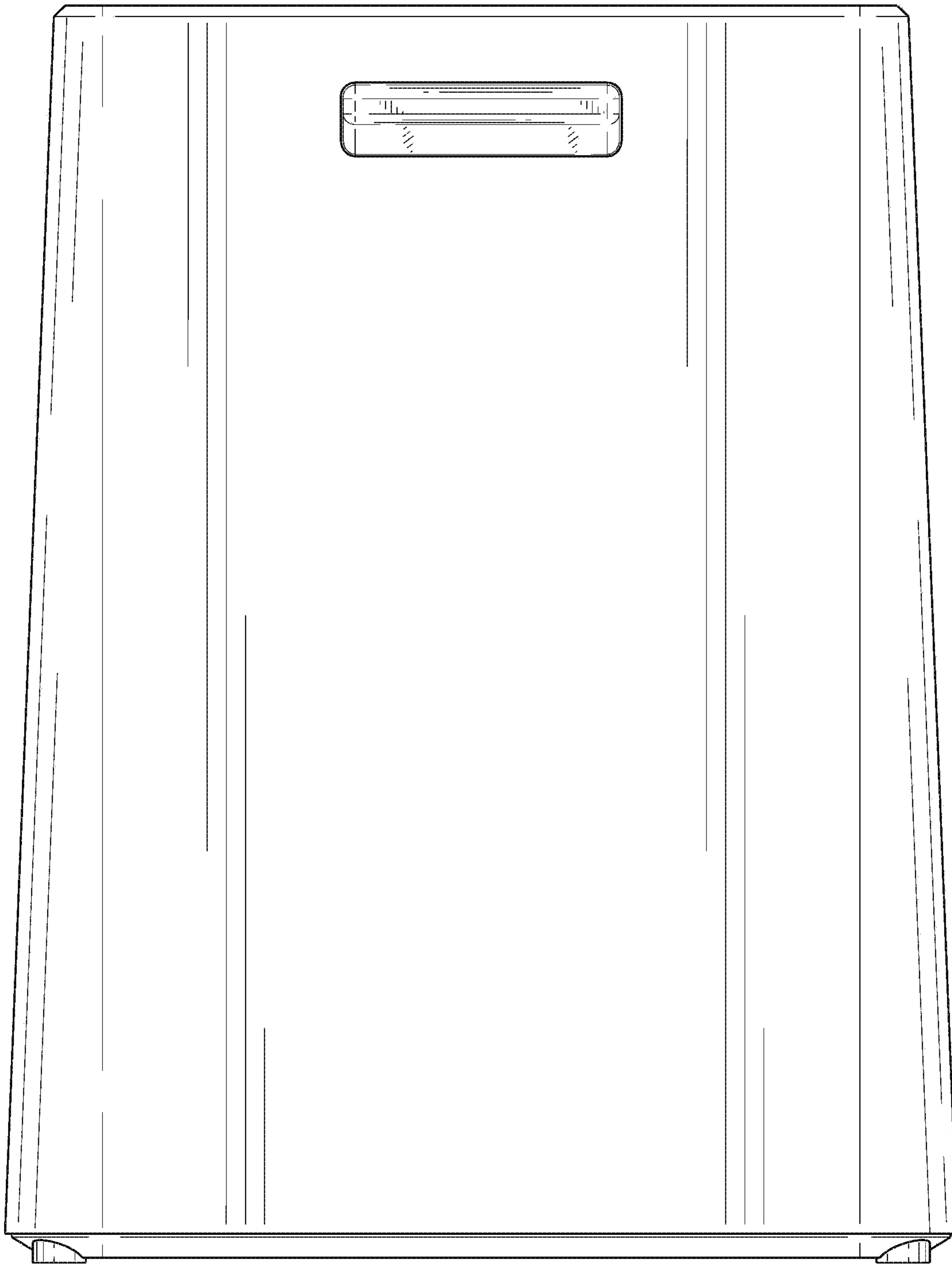


FIG. 1

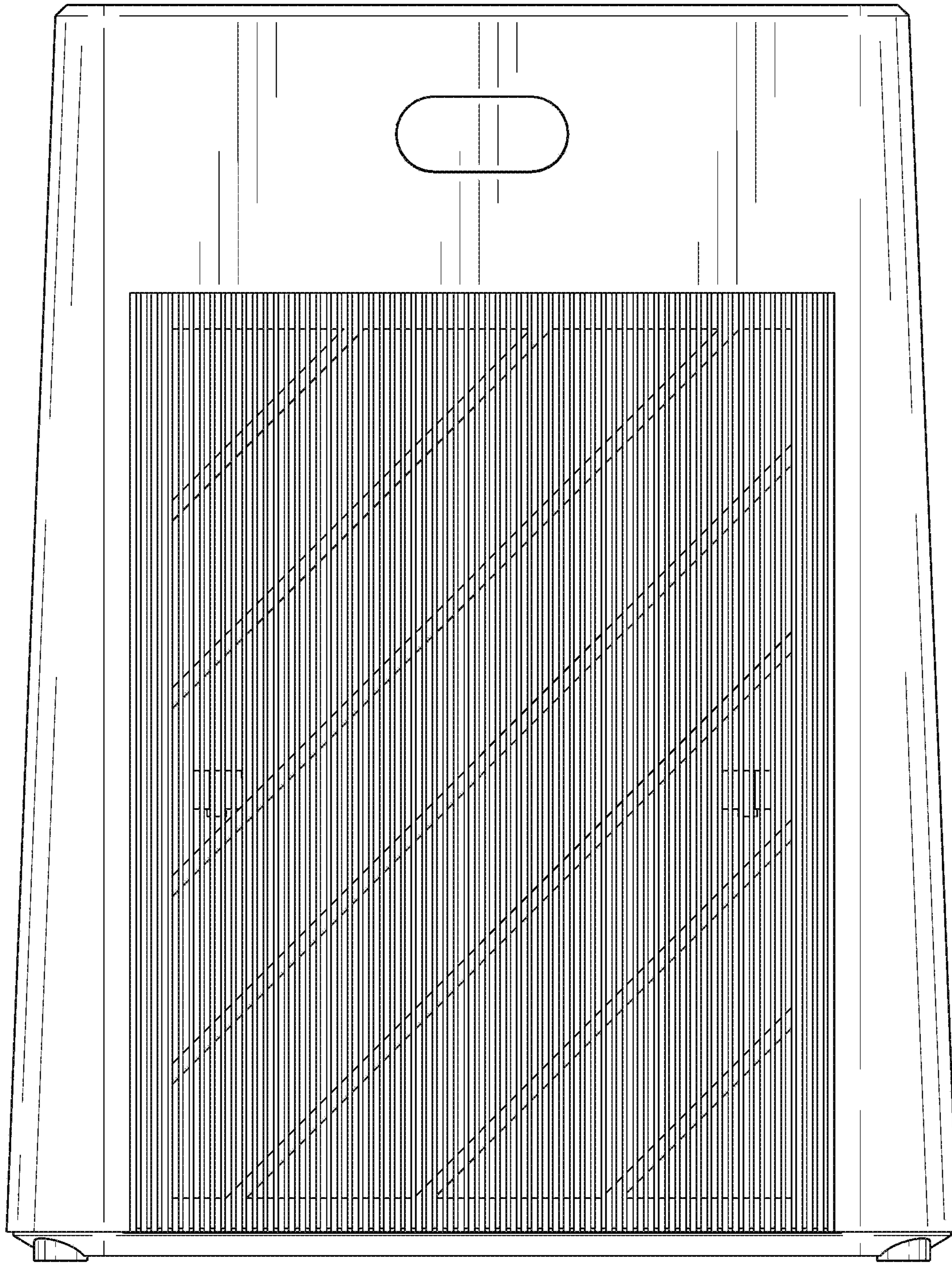
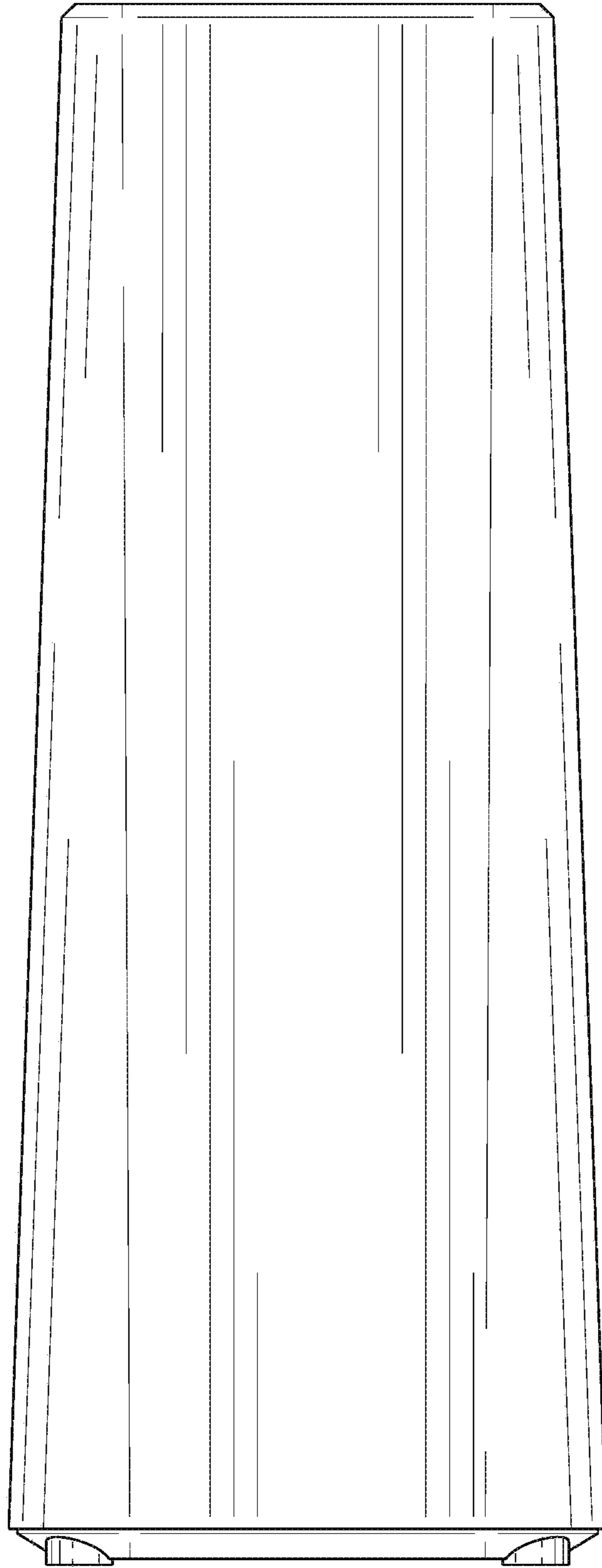
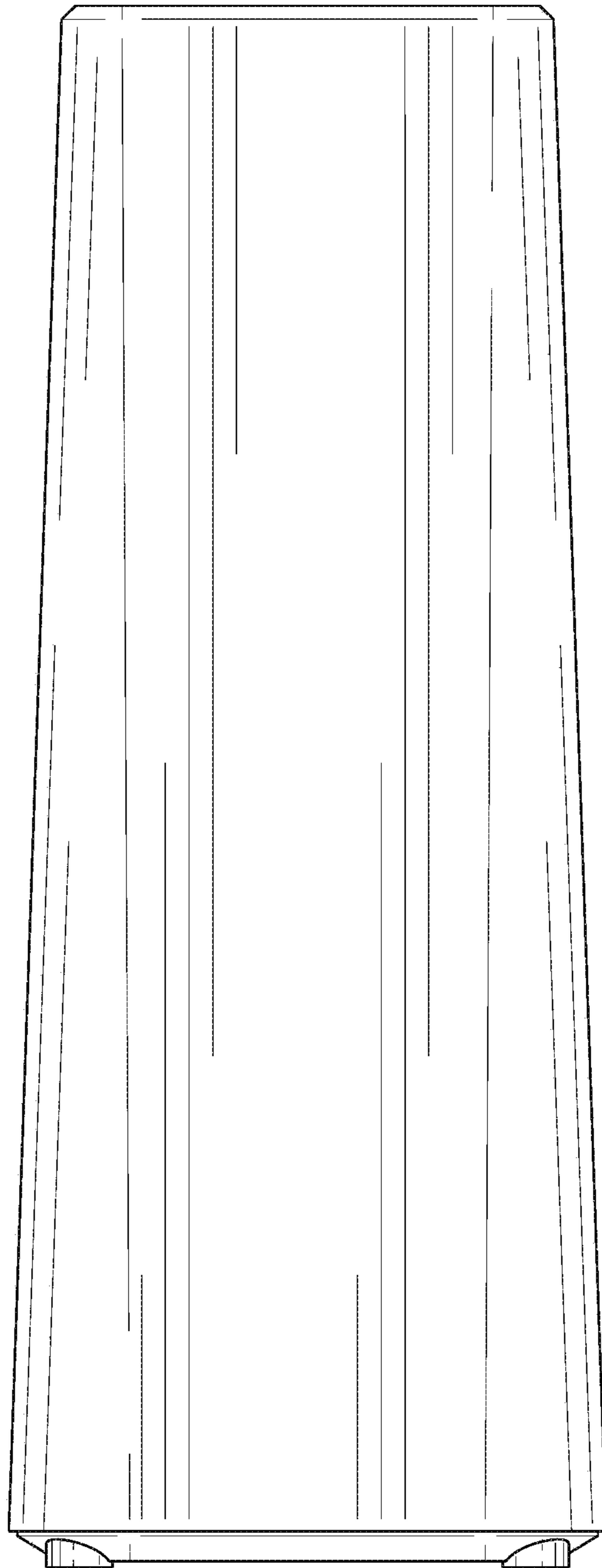


FIG. 2



**FIG. 3**



**FIG. 4**

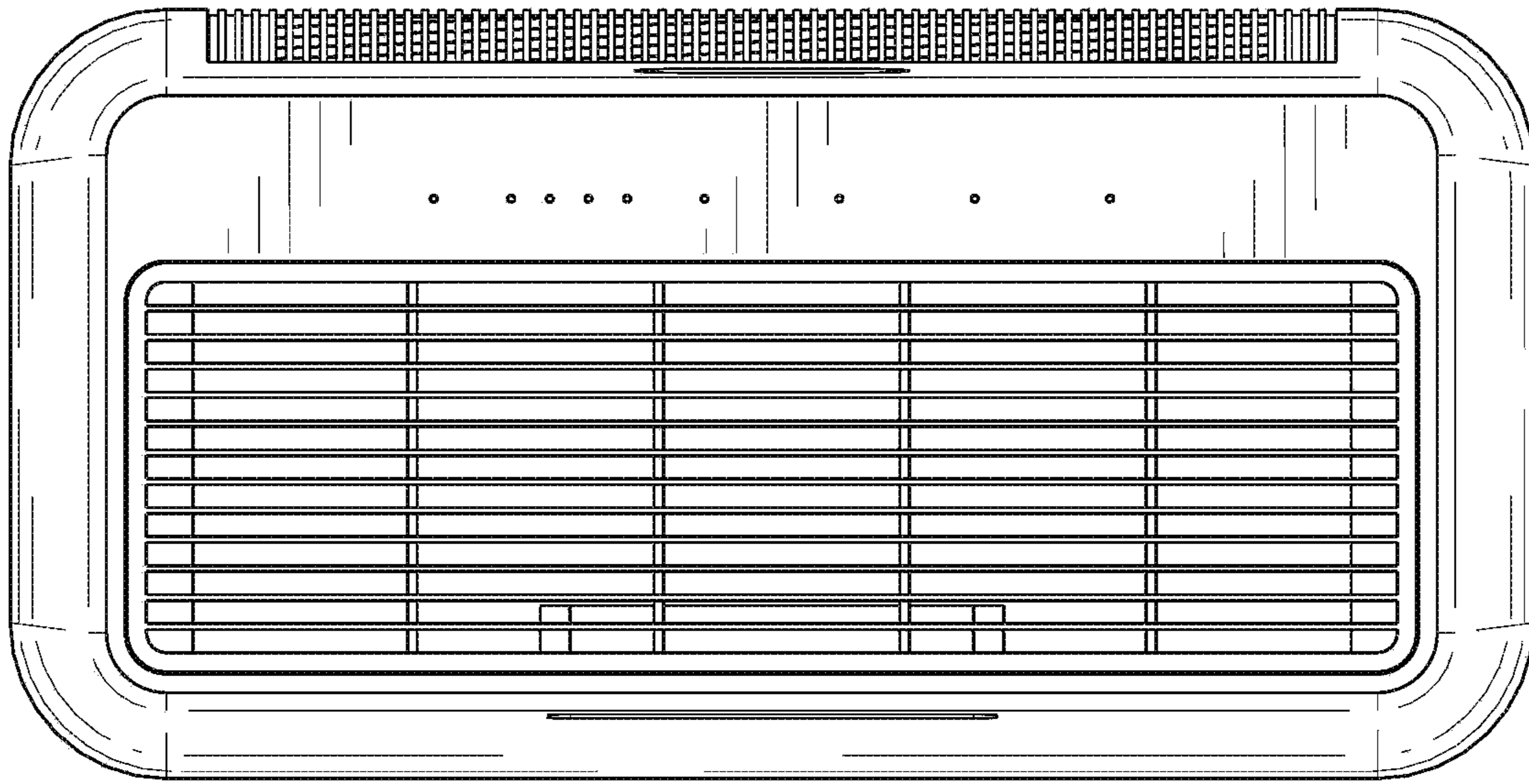
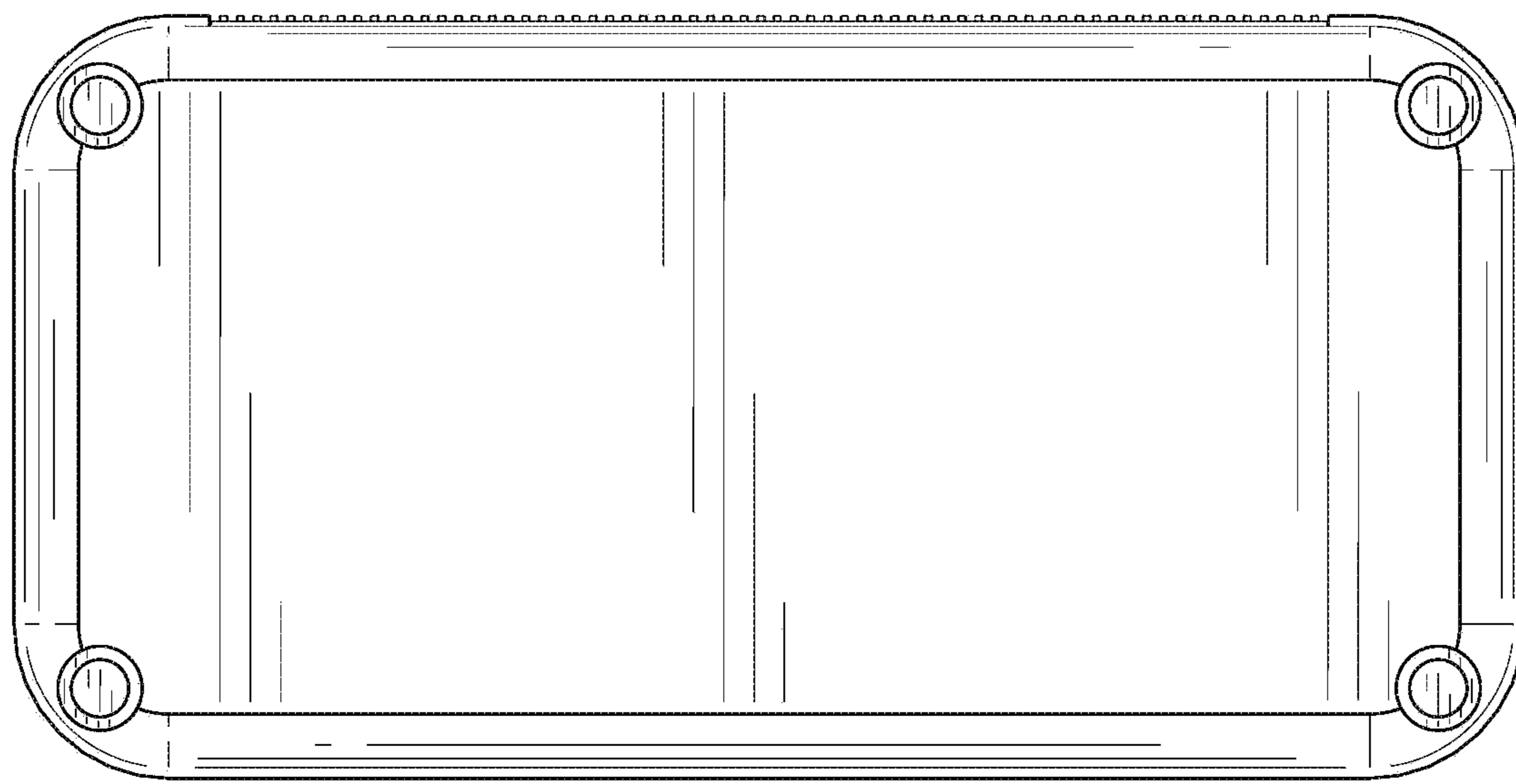


FIG. 5





**FIG. 6**

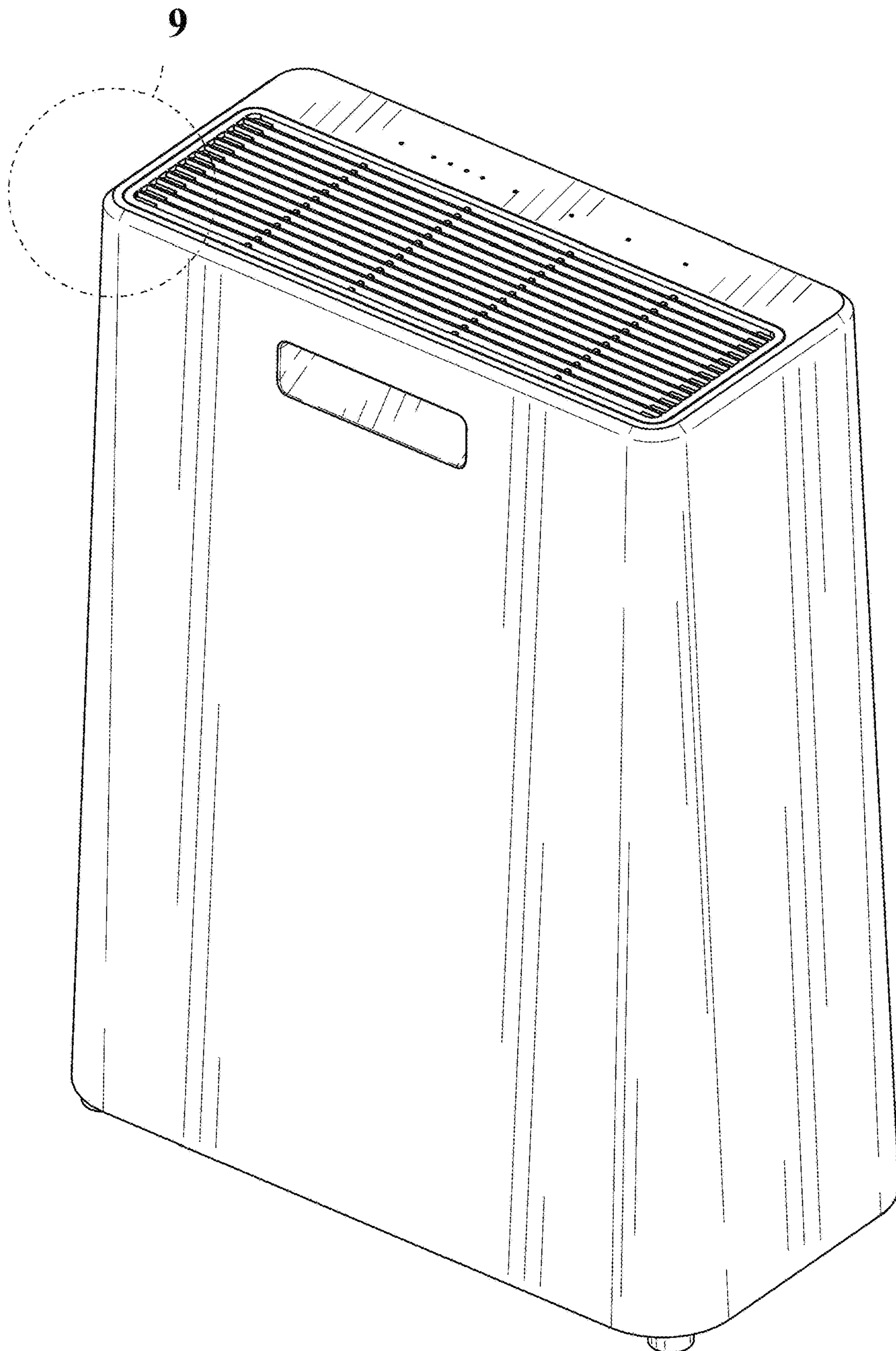


FIG. 7



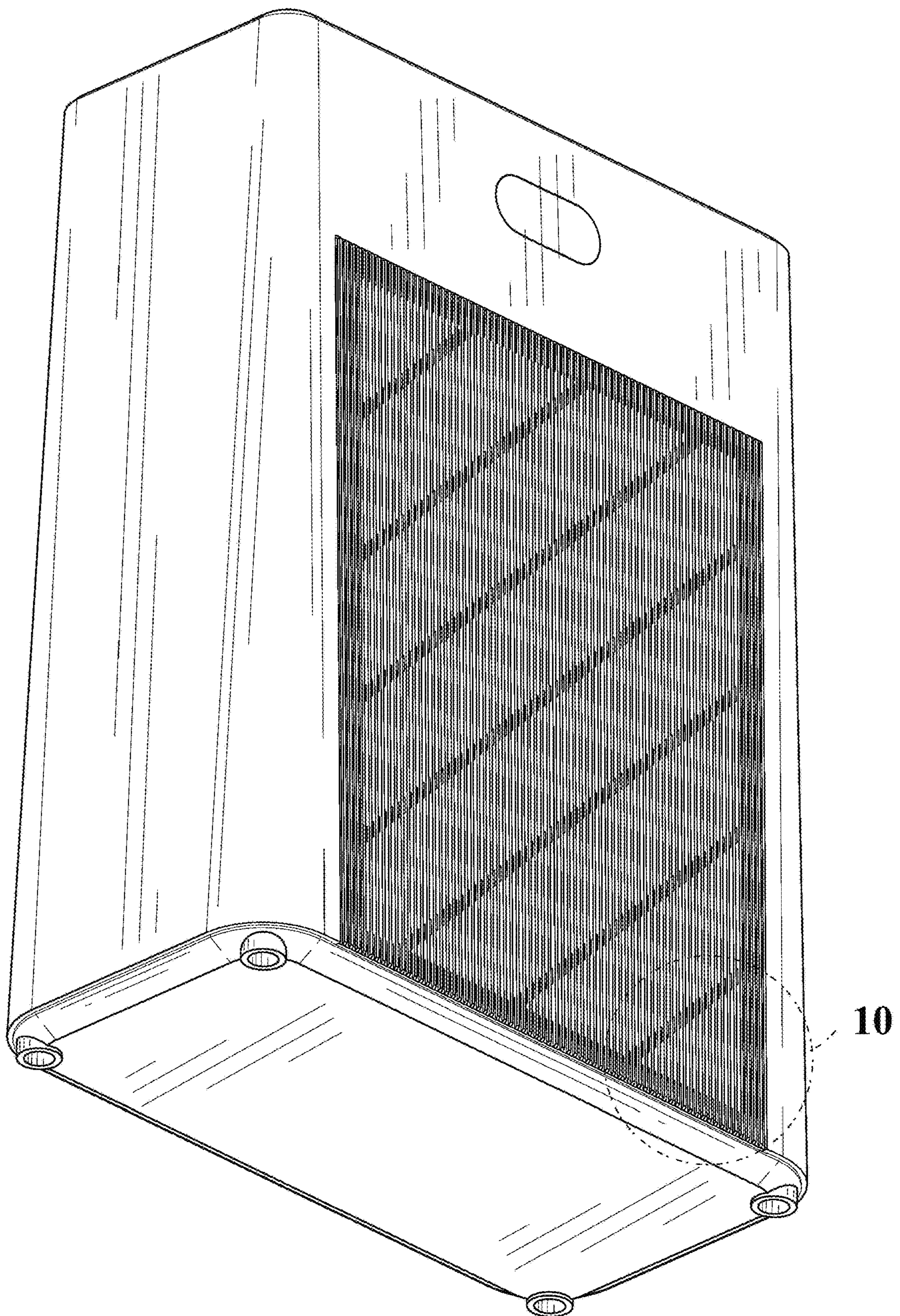


FIG. 8

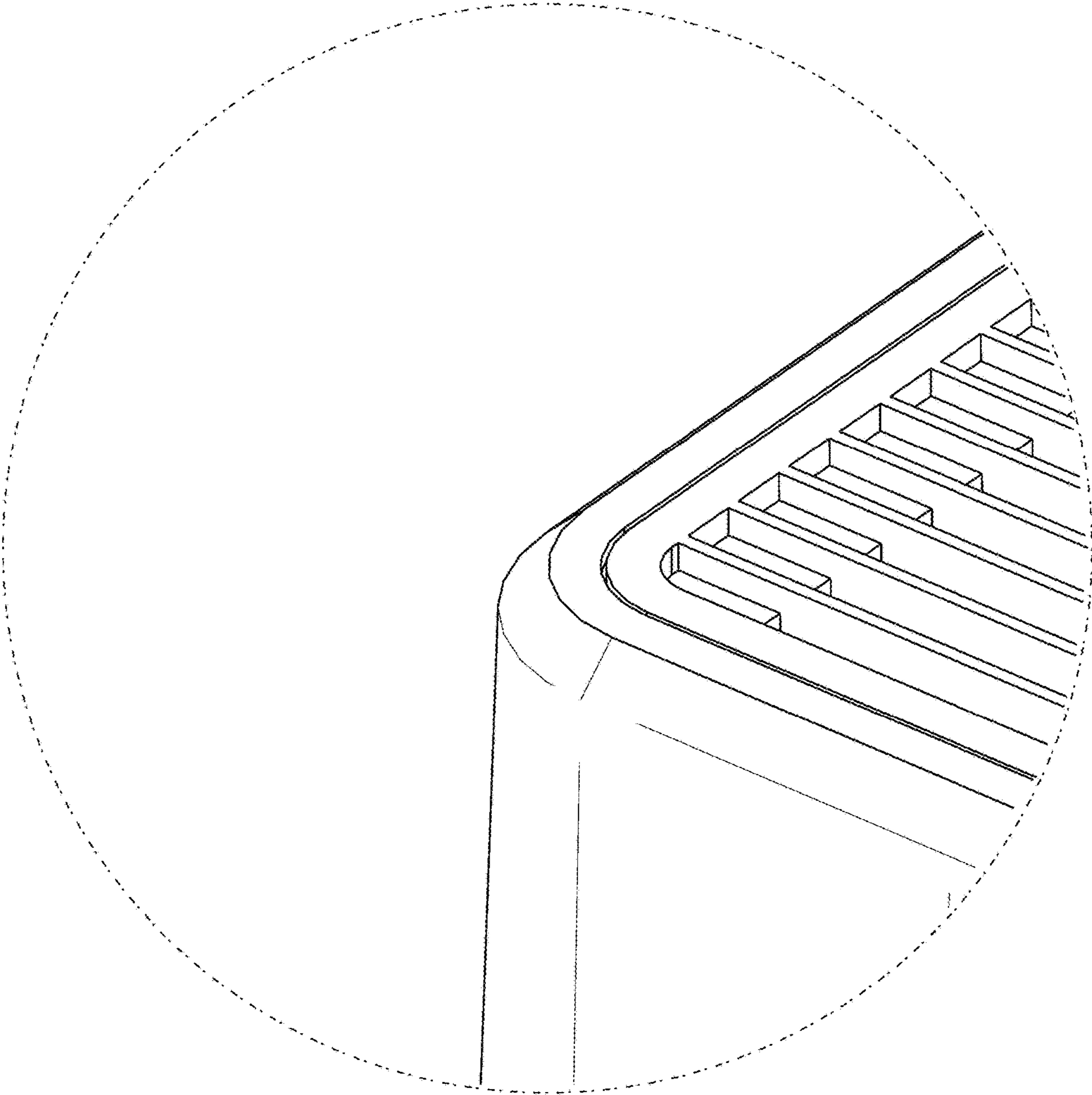


FIG. 9



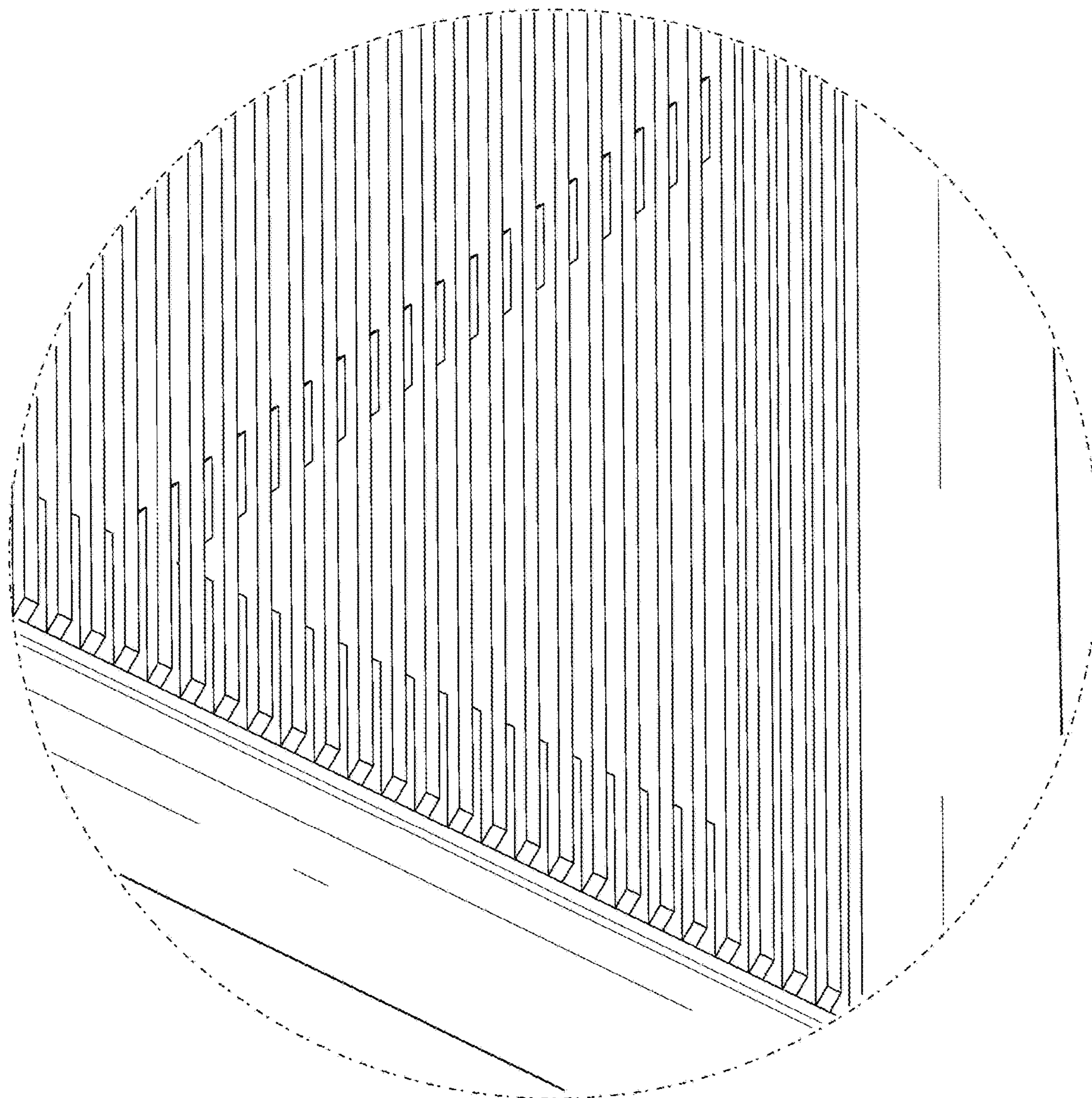


FIG. 10