



US00D962408S

(12) **United States Design Patent**
Choi et al.

(10) **Patent No.:** **US D962,408 S**

(45) **Date of Patent:** **** Aug. 30, 2022**

(54) **AIR PURIFIER**

(71) Applicant: **Samsung Electronics Co., Ltd.**,
Suwon-si (KR)

(72) Inventors: **Minkyung Choi**, Suwon-si (KR);
Cheolyeon Jo, Suwon-si (KR);
Seungmok Lee, Suwon-si (KR)

(73) Assignee: **Samsung Electronics Co., Ltd.**,
Suwon-si (KR)

(**) Term: **15 Years**

(21) Appl. No.: **29/750,923**

(22) Filed: **Sep. 17, 2020**

(30) **Foreign Application Priority Data**

Mar. 26, 2020 (KR) 30-2020-0013565

(51) **LOC (13) Cl.** **23-04**

(52) **U.S. Cl.**
USPC **D23/364**

(58) **Field of Classification Search**

USPC D23/332, 336, 356, 359, 364–366, 378,
D23/499; D14/204, 214, 240, 314, 496
CPC F24F 1/029; F24F 1/035; F24F 1/0287;
F24F 6/06; F24F 6/14; F24F 13/06; F24F
13/20; F24F 13/222; F24F 3/16; F24F
3/1405; A61L 9/03

See application file for complete search history.

(56) **References Cited**

U.S. PATENT DOCUMENTS

D520,502 S * 5/2006 Xu D14/356
D557,393 S * 12/2007 Yoo D23/351
D649,236 S * 11/2011 Bilko D23/366

(Continued)

FOREIGN PATENT DOCUMENTS

CN 2015300069661 7/2015
CN 2015300163752 7/2015

(Continued)

OTHER PUBLICATIONS

Portable Charger, first available Dec. 5, 2019[online], [site visited 2022]. Available from internet, URL:<https://www.amazon.ca/dp/B081SPFH53> (Year: 2019).*

(Continued)

Primary Examiner — David G Muller

Assistant Examiner — Jamaal Rasheed

(74) *Attorney, Agent, or Firm* — NSIP Law

(57) **CLAIM**

We claim the ornamental design for an air purifier, as shown and described.

DESCRIPTION

FIG. 1 is a front perspective view of an air purifier showing our new design;

FIG. 2 is a front view thereof;

FIG. 3 is a rear view thereof;

FIG. 4 is a left-side view thereof;

FIG. 5 is a right-side view thereof;

FIG. 6 is a top view thereof;

FIG. 7 is a bottom view thereof;

FIG. 8 is another front perspective view thereof;

FIG. 9 is a rear perspective view thereof;

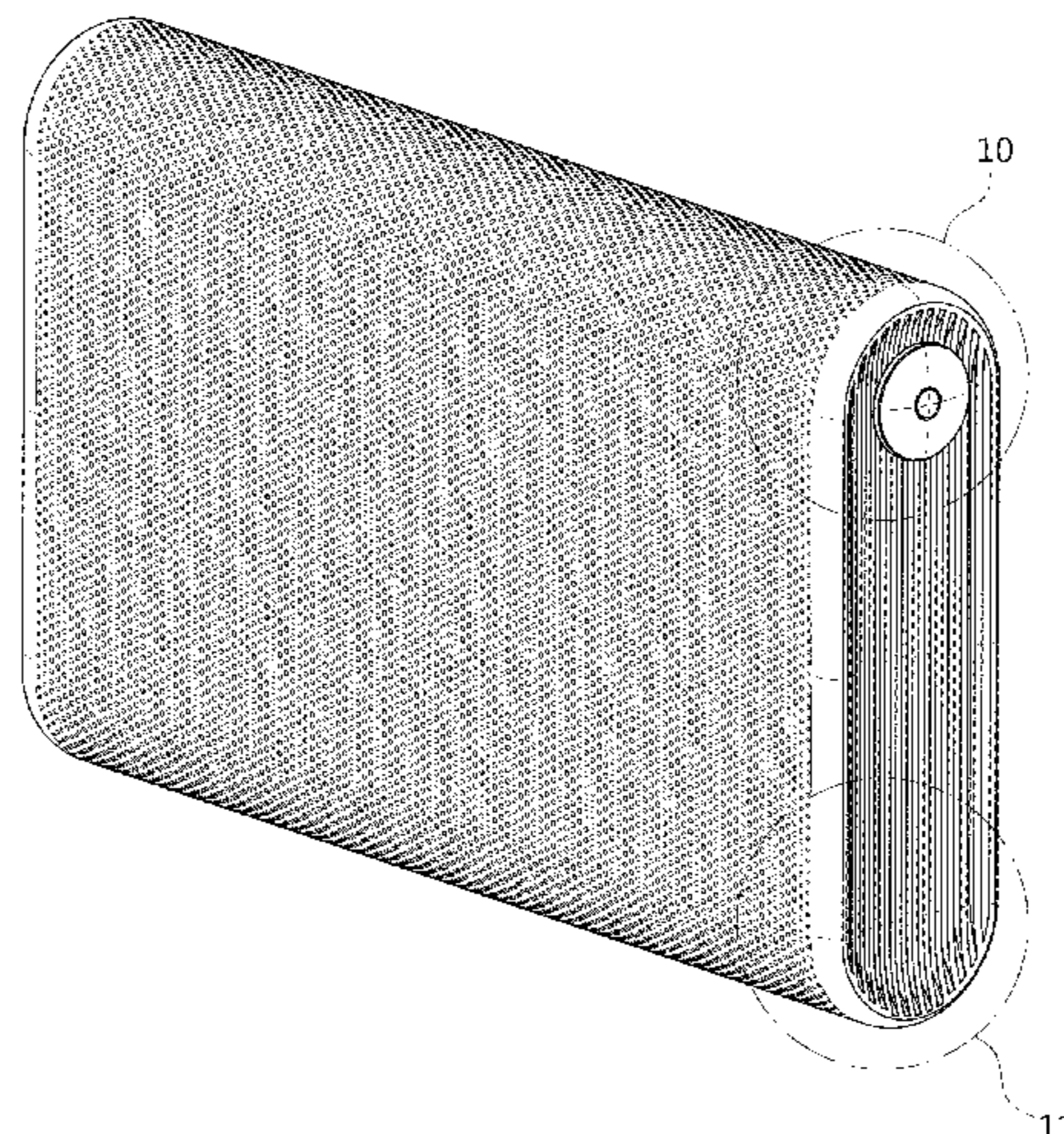
FIG. 10 is an enlarged view of the encircled portion 10 in FIG. 1; and,

FIG. 11 is an enlarged view of the encircled portion 11 in FIG. 1.

The evenly-dashed broken lines in the figures depict portions of the air purifier which form no part of the claimed design.

The dot-dot-dash broken lines encircling portions of the claimed design that are illustrated in enlargements form no part of the claimed design.

1 Claim, 9 Drawing Sheets



(56)

References Cited

U.S. PATENT DOCUMENTS

D661,249 S * 6/2012 Smith D13/110
 D715,760 S * 10/2014 Kim D14/193
 D733,278 S * 6/2015 Newlin D23/366
 D815,061 S * 4/2018 Wei D14/210
 D828,295 S * 9/2018 Li D13/108
 D829,719 S * 10/2018 Shim D14/363
 D837,790 S * 1/2019 Wu D14/435
 D838,254 S * 1/2019 McManigal D14/204
 D875,036 S * 2/2020 Gan D13/103
 D886,789 S * 6/2020 Huang D14/204
 D890,317 S * 7/2020 Riley D23/366
 D892,124 S * 8/2020 Shim D14/435
 D901,661 S * 11/2020 Riegelsberger D23/364
 D903,588 S * 12/2020 Shoemake D13/103
 D904,401 S * 12/2020 Wu D14/363
 D916,487 S * 4/2021 Zheng D6/518
 D921,868 S * 6/2021 Park D23/364
 D930,893 S * 9/2021 Powell D27/162
 D940,647 S * 1/2022 DiLella D13/103
 D940,845 S * 1/2022 Nakagawa D23/364
 D945,695 S * 3/2022 Powell D27/162

FOREIGN PATENT DOCUMENTS

CN 2015303048811 1/2016
 CN 303756869 * 2/2016

CN 303756868 * 7/2016
 CN 2016305079433 5/2017
 CN 2018300620840 6/2018
 EM 003009539-0022 3/2016
 JP D1545708 3/2016
 KR 301043709.0000 * 2/2020

OTHER PUBLICATIONS

Thinkware iVolt Mini External Dash Cam Battery, first available Sep. 27, 2019[online], [site visited May 2, 2022]. Available from internet, URL:<<https://www.amazon.com/THINKWARE-iVolt-Mini-External-Battery/dp/B07YGVQ1V3>> (Year: 2019).*

Anker Portable Charger, first available May 23, 2019[online], [site visited May 3, 2022]. Available from internet, URL:<<https://www.amazon.com/Anker-PowerCore-Technology-High-Capacity-Compatible/dp/B07S829LBX>> (Year: 2019).*

“Tinctureware Anabi Blue Vent ACP-1000” [2019] www.prod.danawa.com Feb. 2019 <http://prod.danawa.com/info/?pcode=7270540&_OC_=news_top_relProd_7270540>.

“Air Purifier AP-1019E [33 m² / Grade 3 / Smart Eco Mode]” [2019] www.e-himart.co.kr Jan. 2019 <http://www.e-himart.co.kr/app/goods/goodsDetail?goodsNo=0001893654&fromShop=dnw&service_id=elecndn>.

* cited by examiner

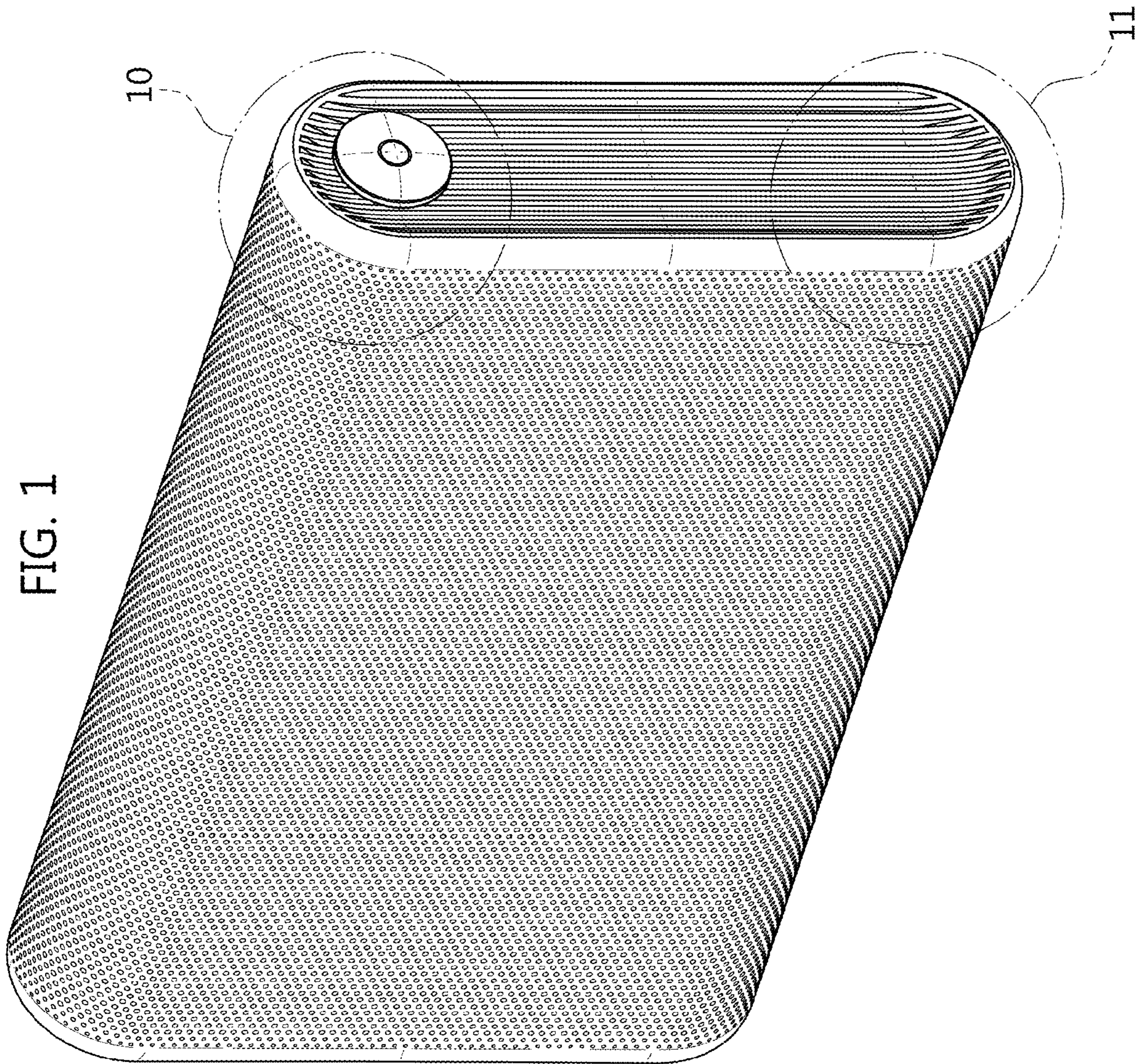


FIG. 2

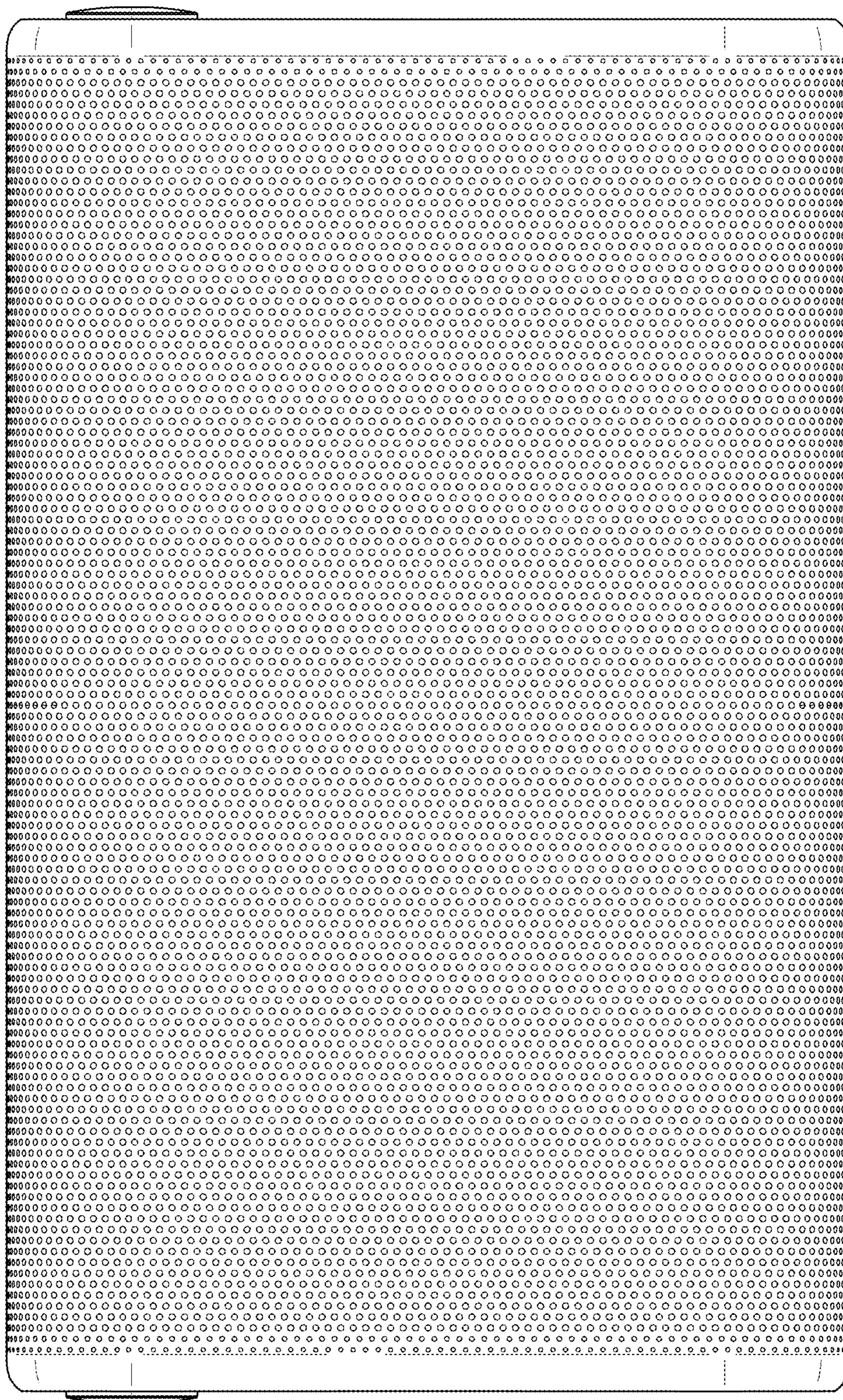


FIG. 3

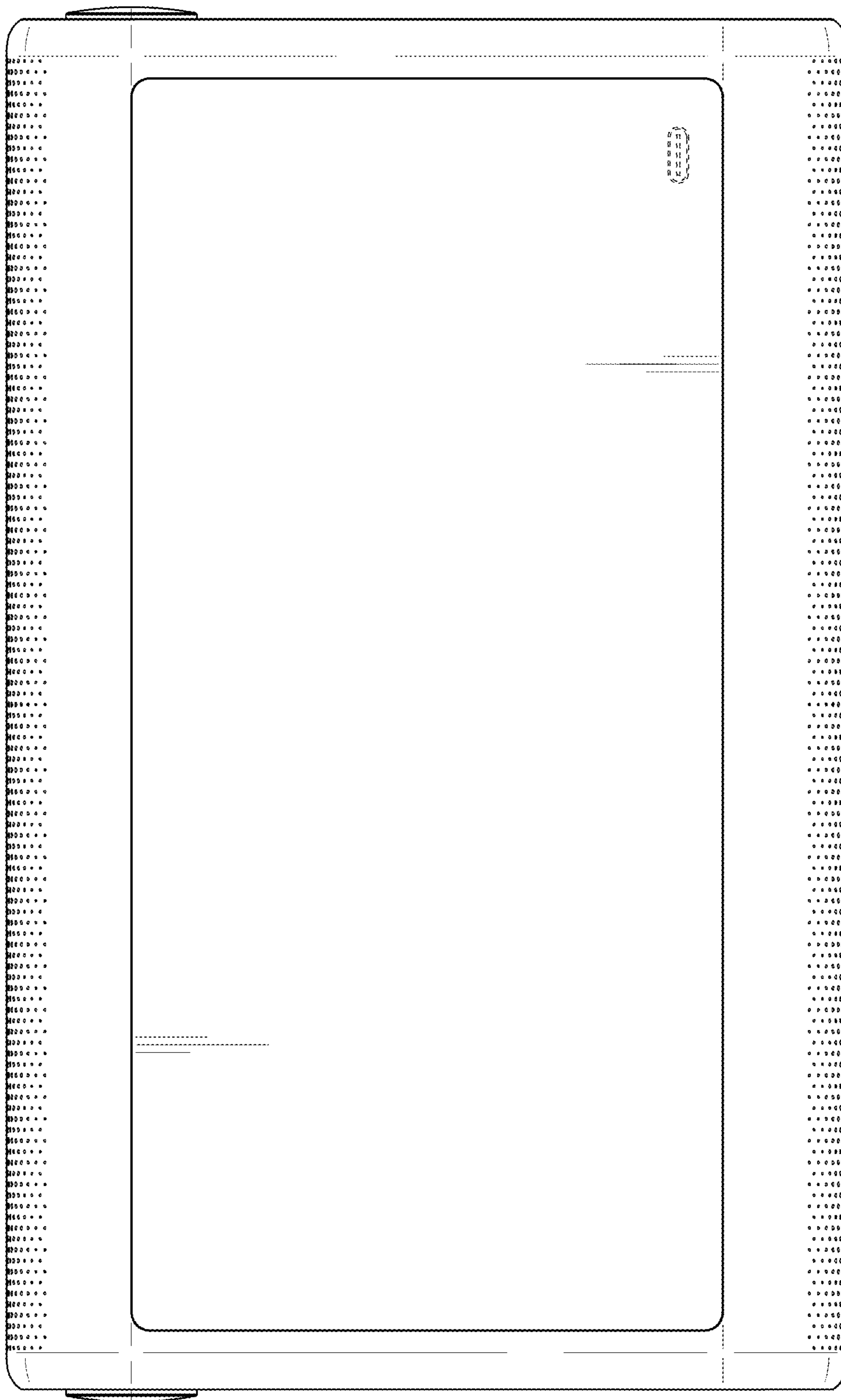


FIG. 5

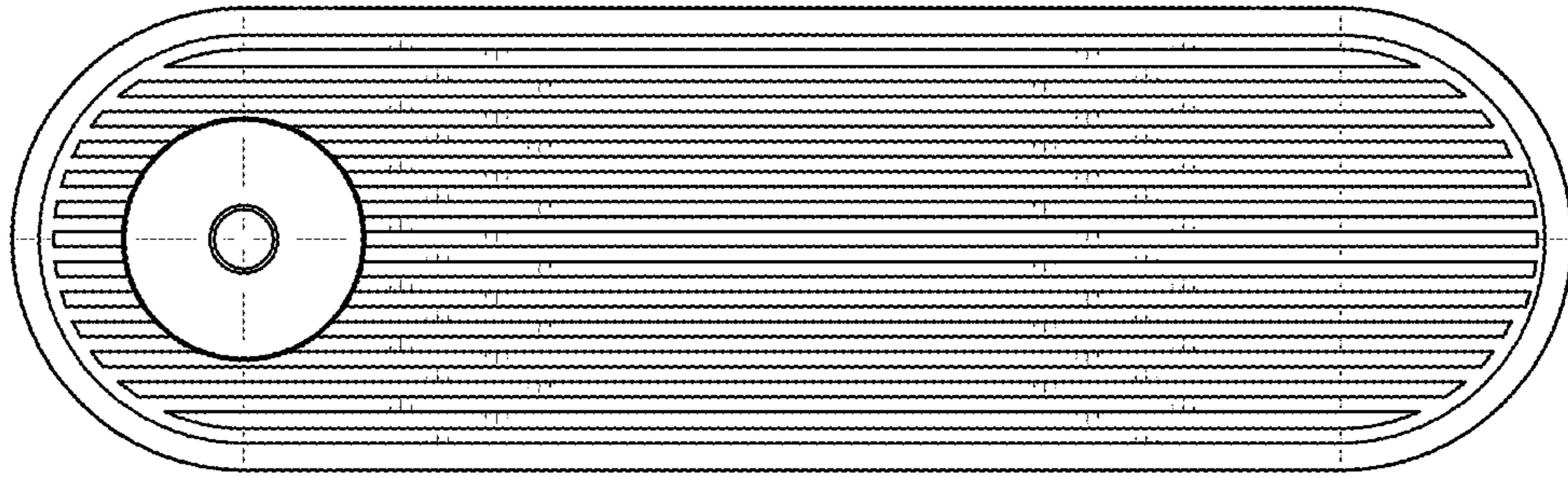


FIG. 4

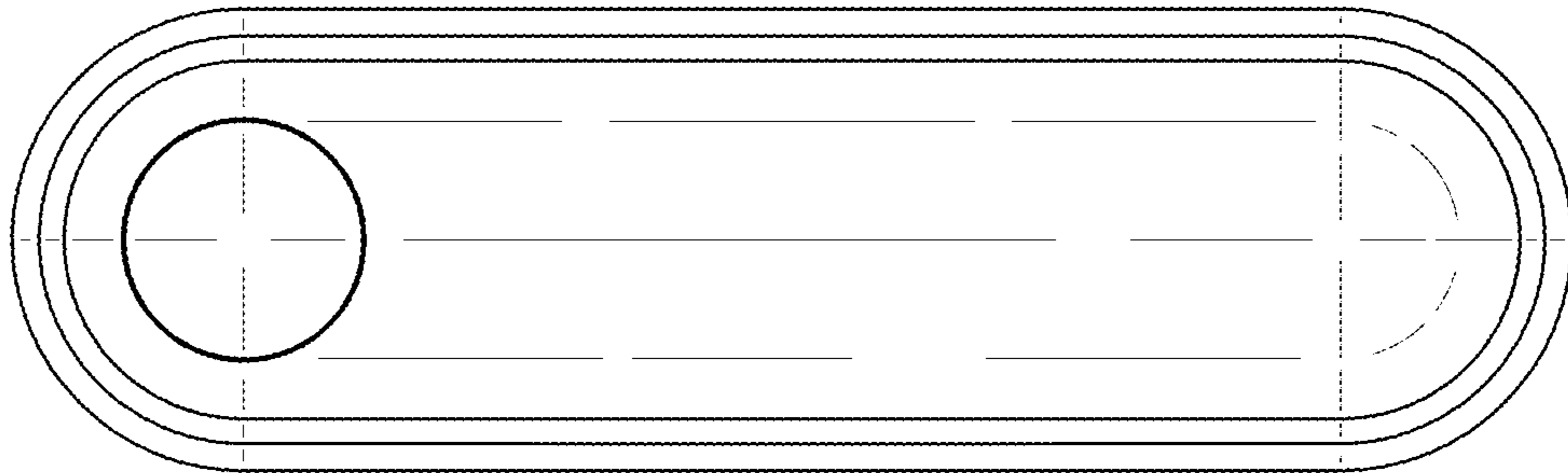


FIG. 6

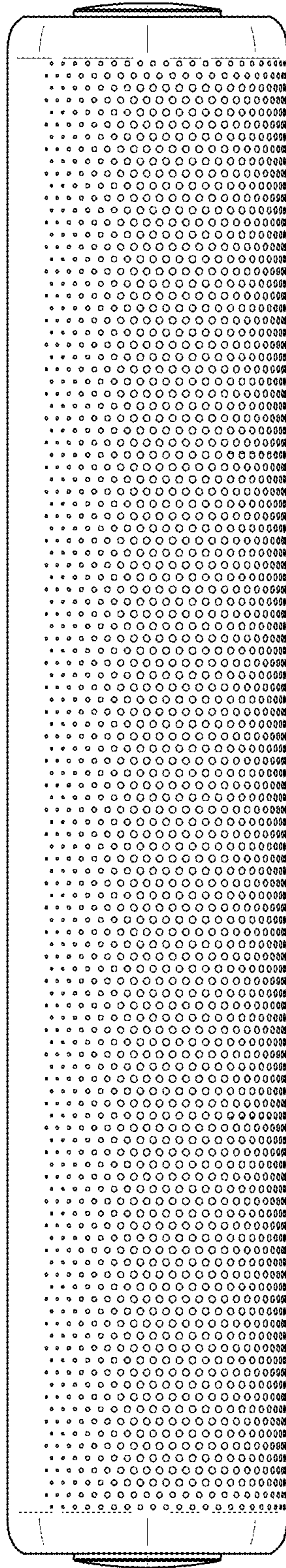


FIG. 7

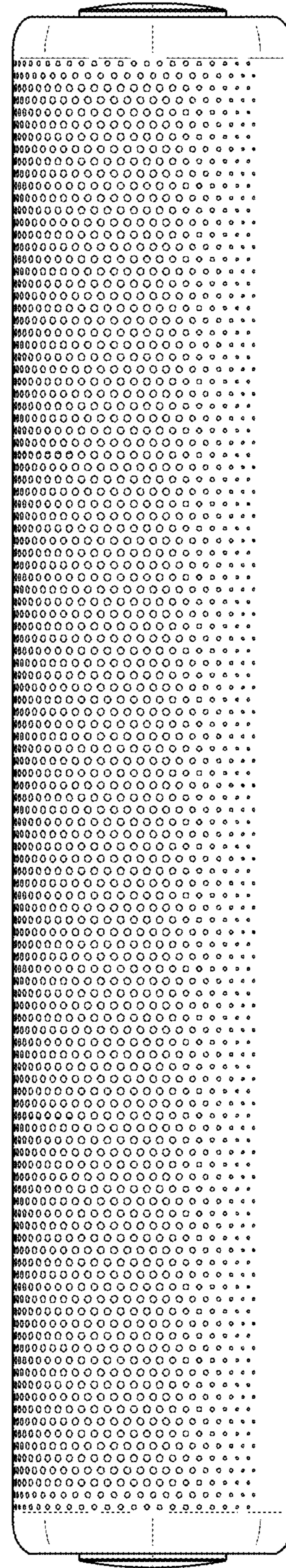


FIG. 8

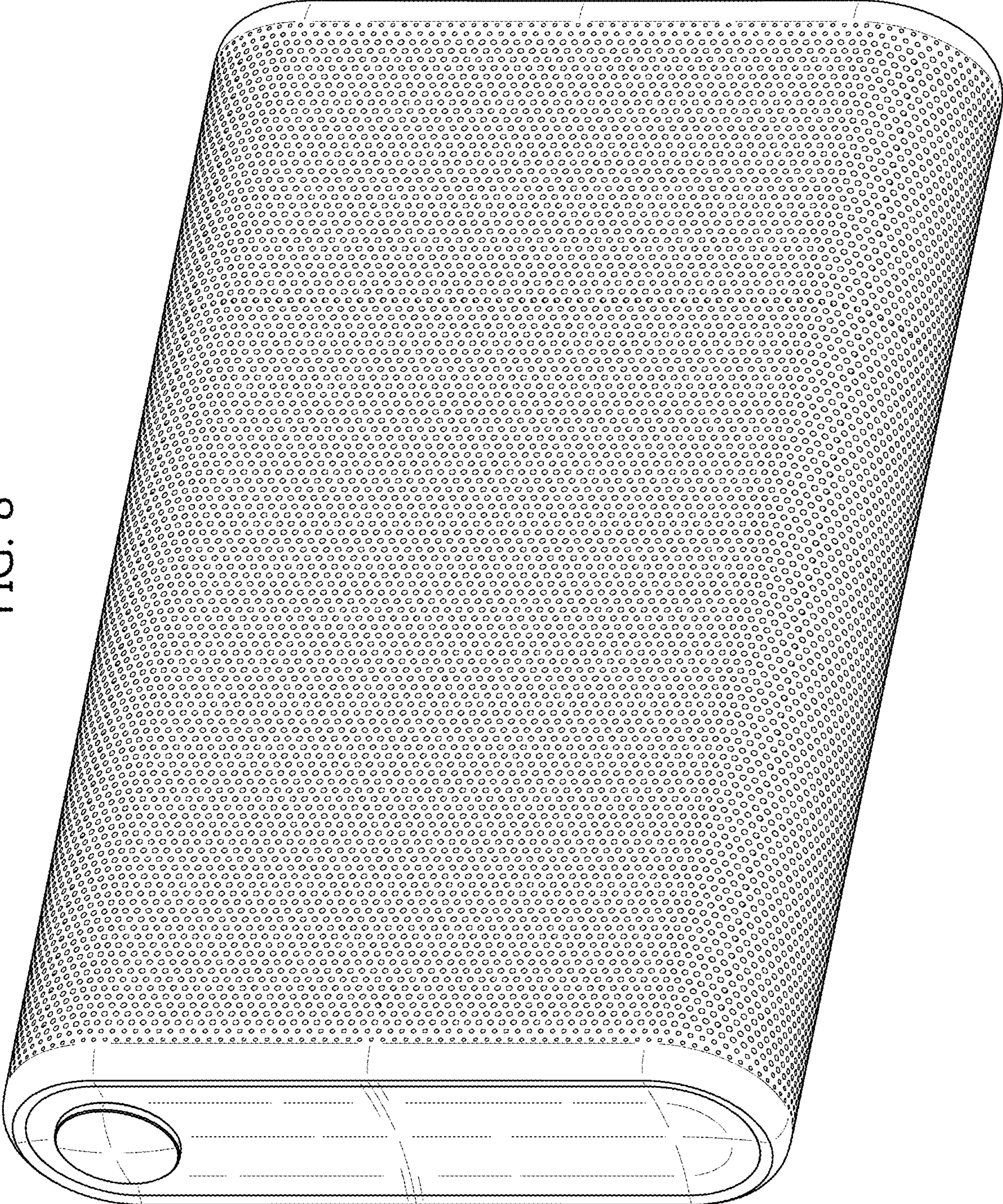


FIG. 9

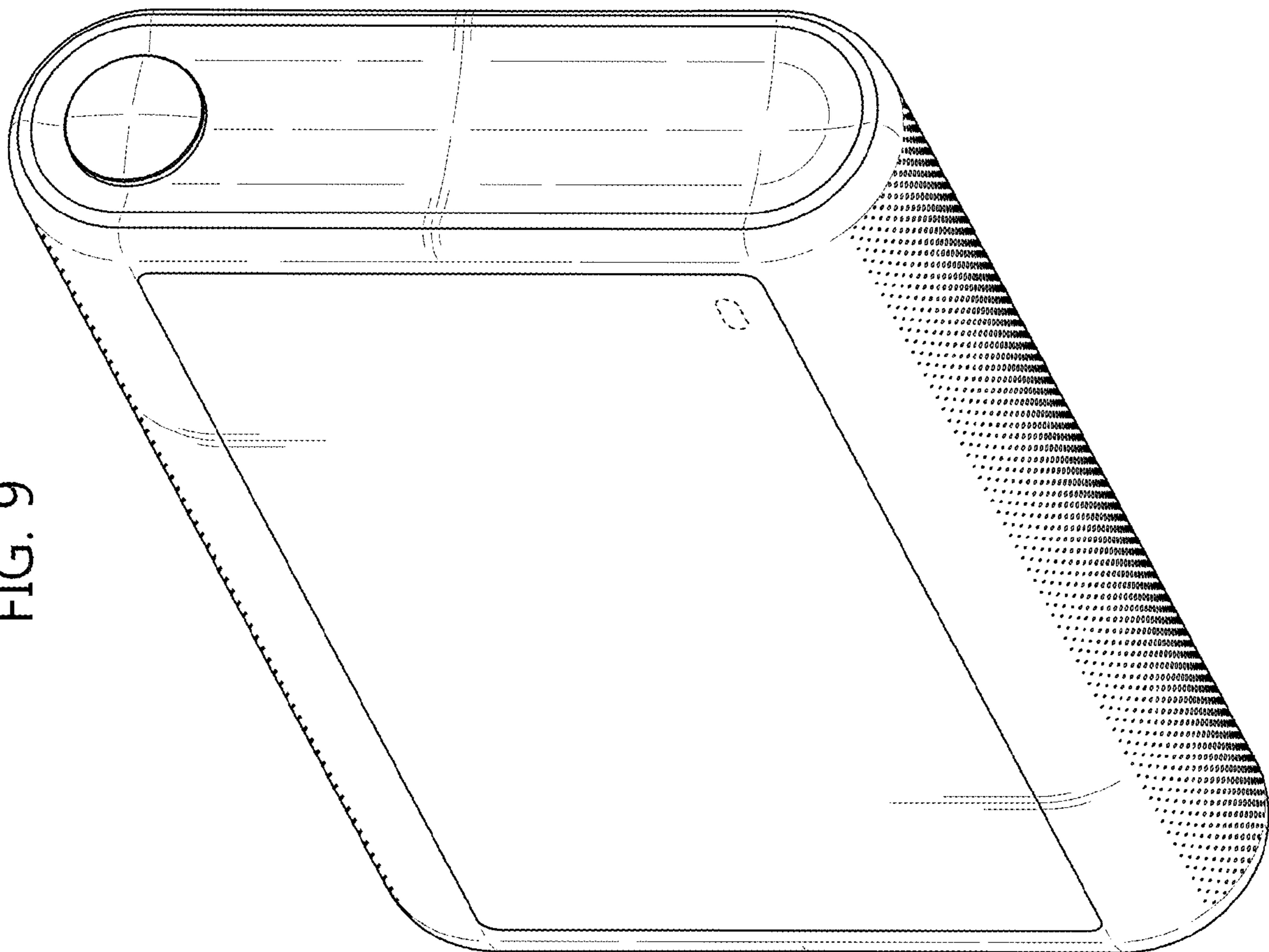


FIG. 10

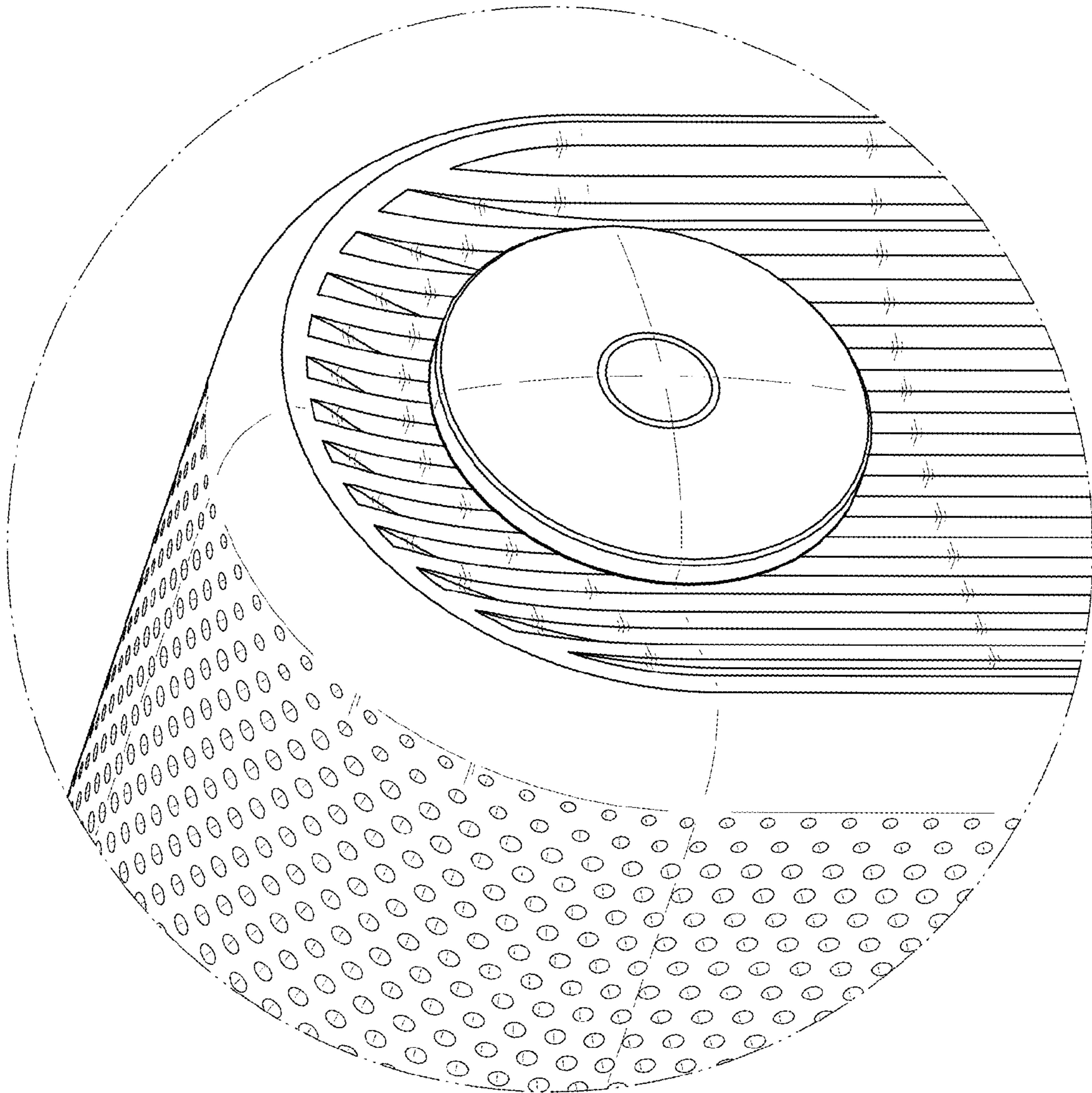


FIG. 11

