



US00D962405S

(12) **United States Design Patent**
Yang et al.

(10) **Patent No.:** **US D962,405 S**

(45) **Date of Patent:** **** Aug. 30, 2022**

(54) **WINDOW AIR CONDITIONER**
(71) Applicants: **GD MIDEA AIR-CONDITIONING EQUIPMENT CO., LTD.**, Foshan (CN); **MIDEA GROUP CO., LTD.**, Foshan (CN)

(72) Inventors: **Yongyi Yang**, Foshan (CN); **Zizheng Zhang**, Foshan (CN); **Hyunmin Ham**, Foshan (CN); **Zhigang Xing**, Foshan (CN)

(73) Assignees: **GD MIDEA AIR-CONDITIONING EQUIPMENT CO., LTD.**, Foshan (CN); **MIDEA GROUP CO., LTD.**, Foshan (CN)

(**) Term: **15 Years**

(21) Appl. No.: **29/678,996**

(22) Filed: **Jan. 31, 2019**

(30) **Foreign Application Priority Data**

Aug. 2, 2018 (CN) 201830423837.6

(51) **LOC (13) Cl.** **23-04**

(52) **U.S. Cl.**
USPC **D23/351**

(58) **Field of Classification Search**
USPC D23/333, 351-354, 388
CPC F24F 1/00; F24F 1/0007; F24F 1/02; F24F 1/08; F24F 1/42; F24F 1/56; F24F 1/60; F24F 3/044; F24F 3/048; F24F 3/16; G05D 23/1905; G05D 23/1932; G05D 23/1902; G05D 23/1931; G05B 19/0426; G05B 19/409; G05B 15/02
See application file for complete search history.

(56) **References Cited**

U.S. PATENT DOCUMENTS

D306,062 S * 2/1990 Moritani D23/353
D441,066 S * 4/2001 Ma D23/353

D465,563 S * 11/2002 Lee D23/353
D503,782 S * 4/2005 You D23/353
D723,675 S * 3/2015 Paskow D23/354
D846,721 S * 4/2019 Gan D23/351
D847,316 S * 4/2019 Gan D23/351
D847,319 S * 4/2019 Yang D23/351
D847,320 S * 4/2019 Gan D23/351
D847,963 S * 5/2019 Gan D23/351
D848,592 S * 5/2019 Zhang D23/351
D860,422 S * 9/2019 Zhou D23/351
D883,458 S * 5/2020 Yang D23/351
D884,132 S * 5/2020 Gan D23/351

(Continued)

Primary Examiner — Natasha Vujcic

(74) *Attorney, Agent, or Firm* — Anova Law Group PLLC

(57) **CLAIM**

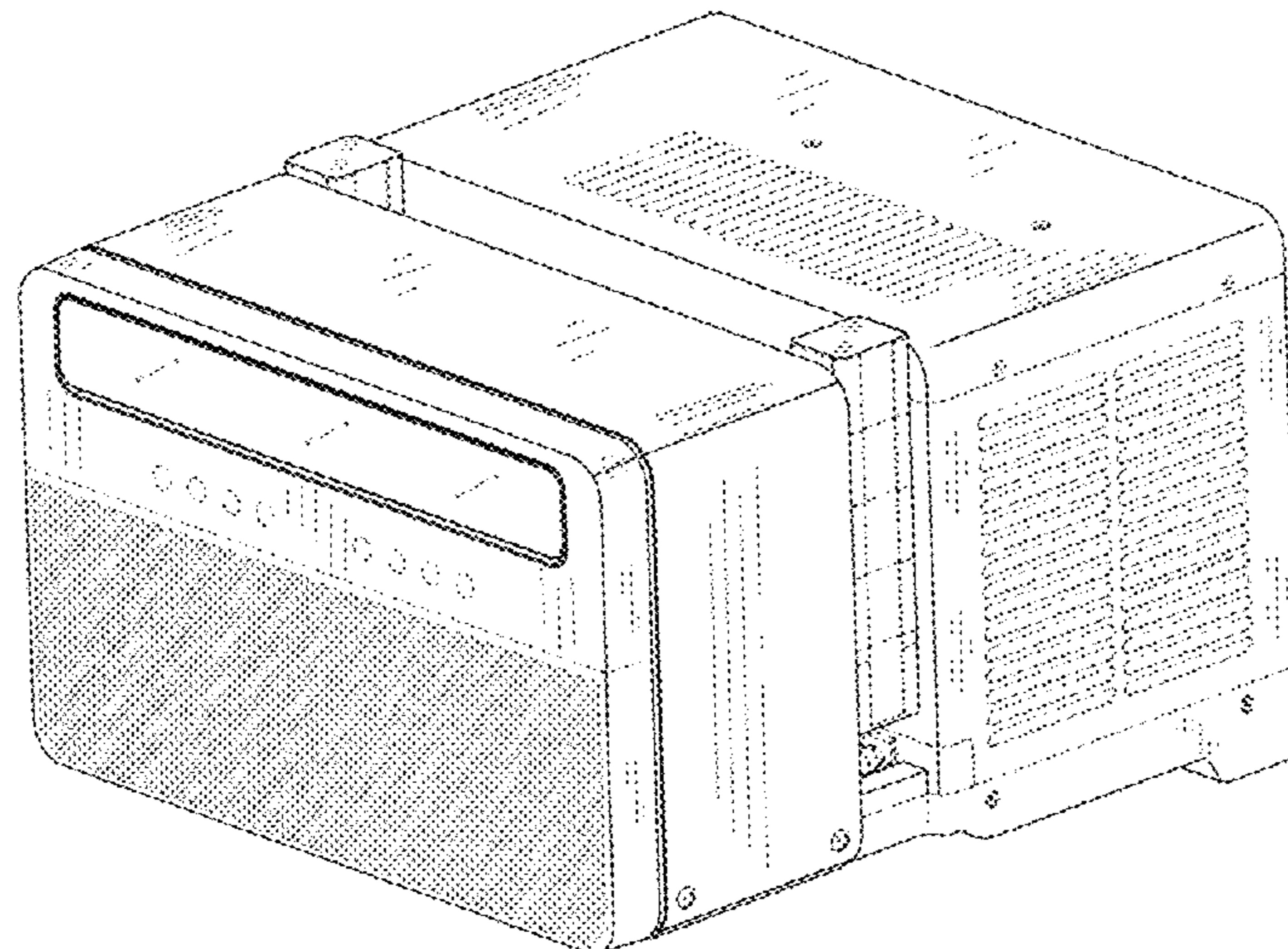
The ornamental design for a window air conditioner, as shown and described.

DESCRIPTION

This application is related to U.S. application Ser. No. 29/678,986, entitled “Window Air Conditioner” filed on Jan. 31, 2019.

FIG. 1 is a front view of a window air conditioner, showing my new design;
FIG. 2 is a back view of the design in FIG. 1;
FIG. 3 is a top view of the design in FIG. 1;
FIG. 4 is a bottom view of the design in FIG. 1;
FIG. 5 is a first side view of the design in FIG. 1;
FIG. 6 is a second side view of the design in FIG. 1;
FIG. 7 is a perspective view of the design in FIG. 1; and, FIG. 8 is another perspective view of the design in FIG. 1. The broken lines shown in the drawings represent portions of the window air conditioner that form no part of the claimed design.

1 Claim, 7 Drawing Sheets



(56)

References Cited

U.S. PATENT DOCUMENTS

D886,266 S * 6/2020 Tan D23/351
D890,895 S * 7/2020 Wang D23/351

* cited by examiner

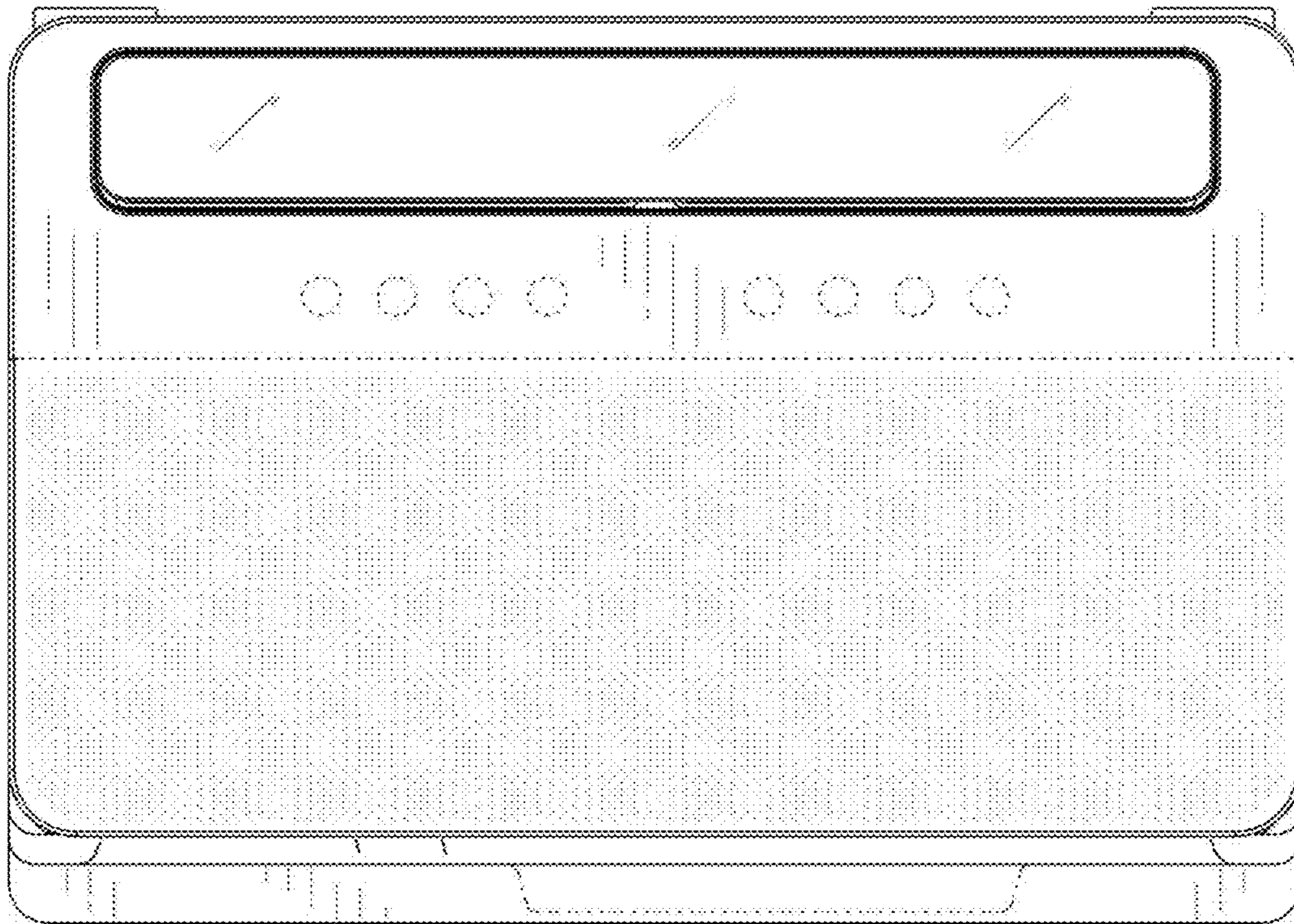


Figure 1

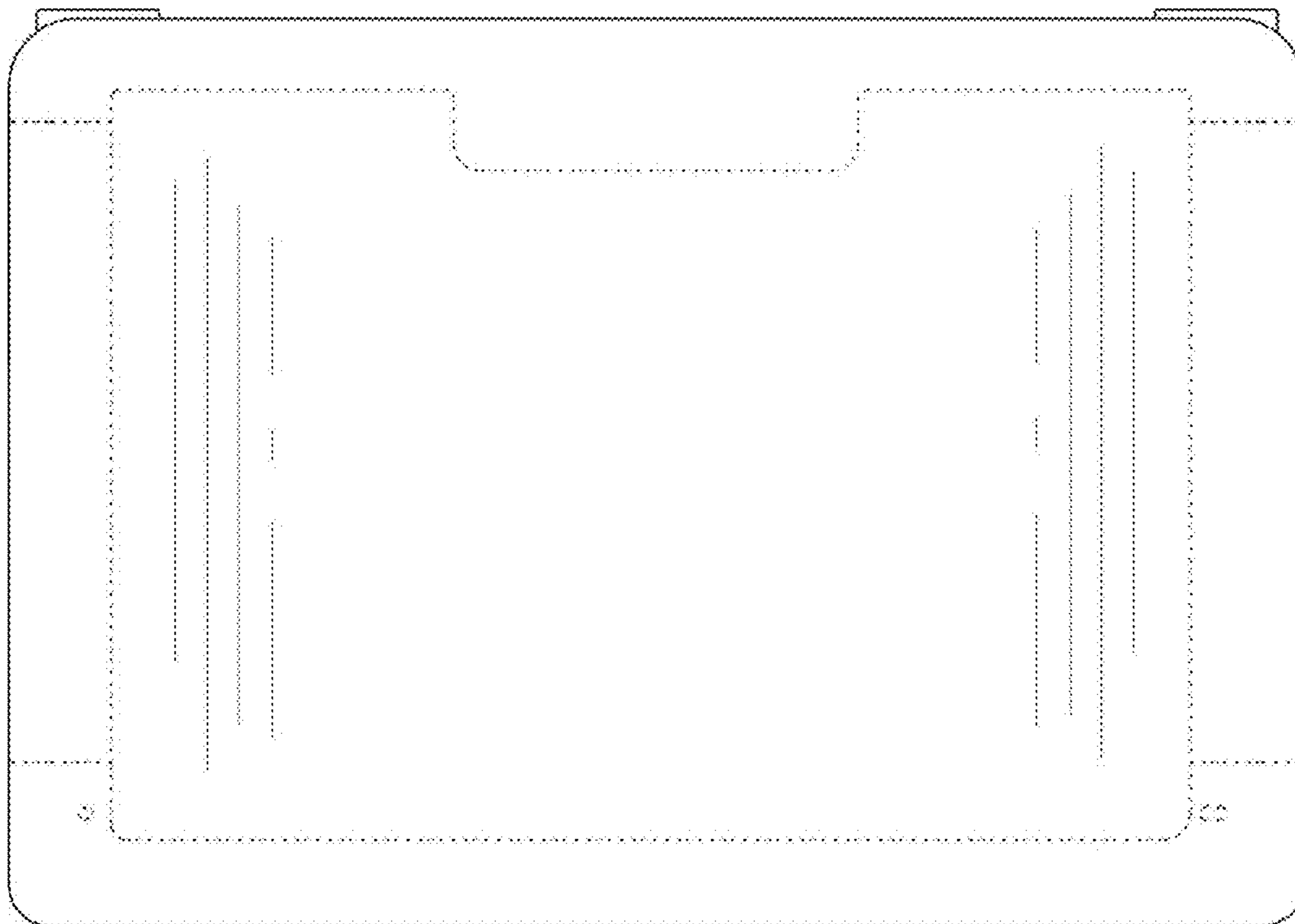


Figure 2

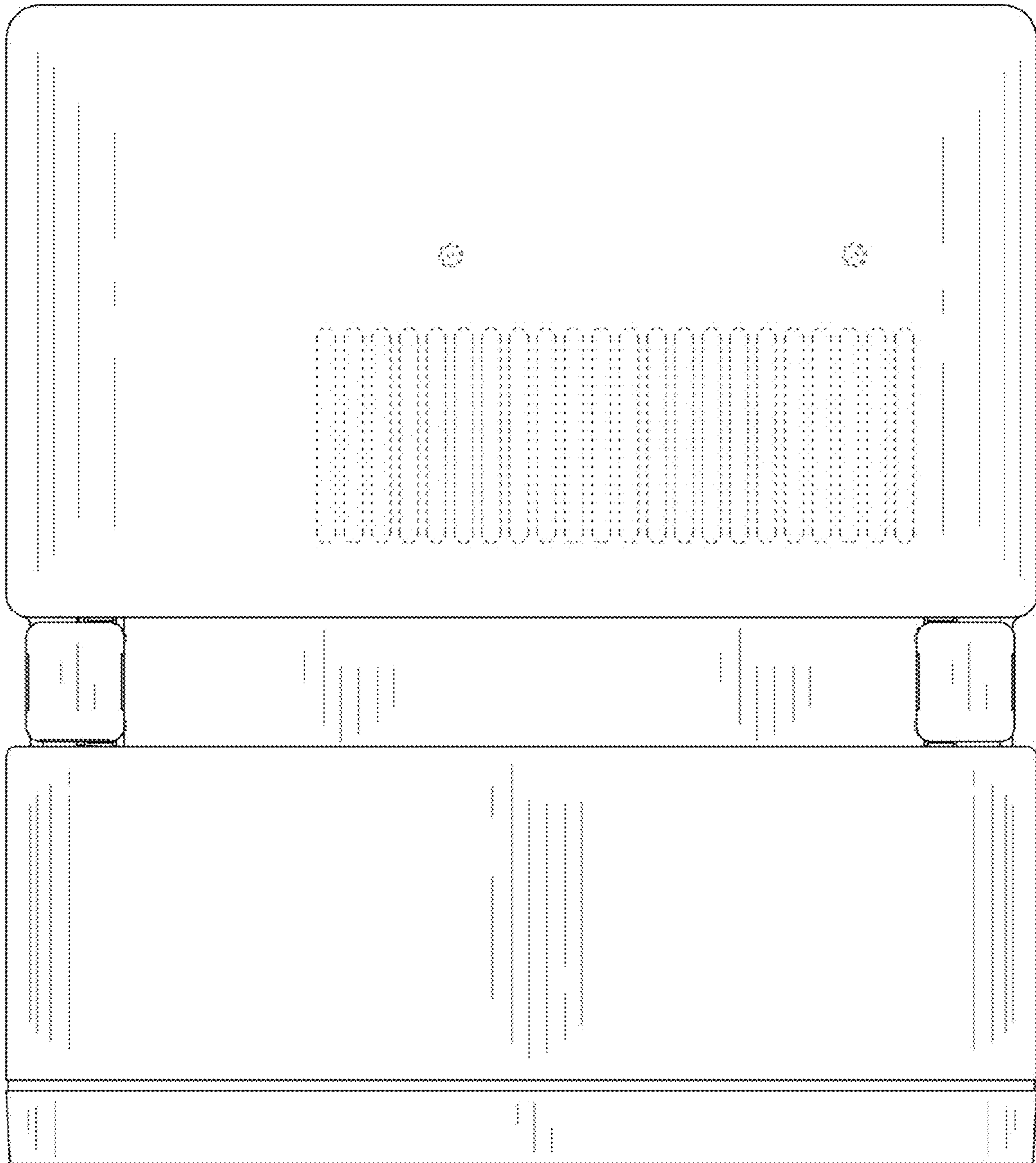


Figure 3

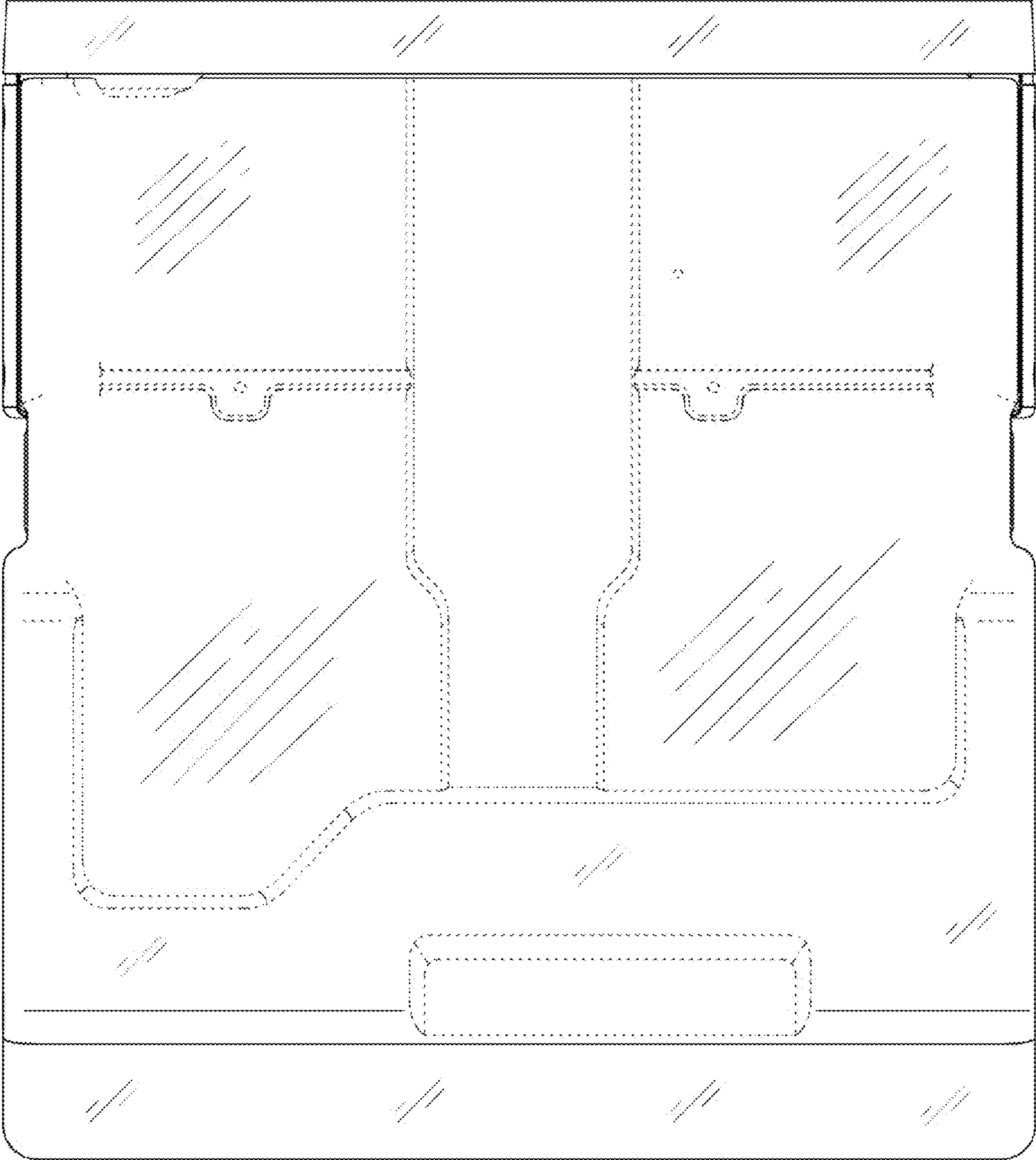


Figure 4

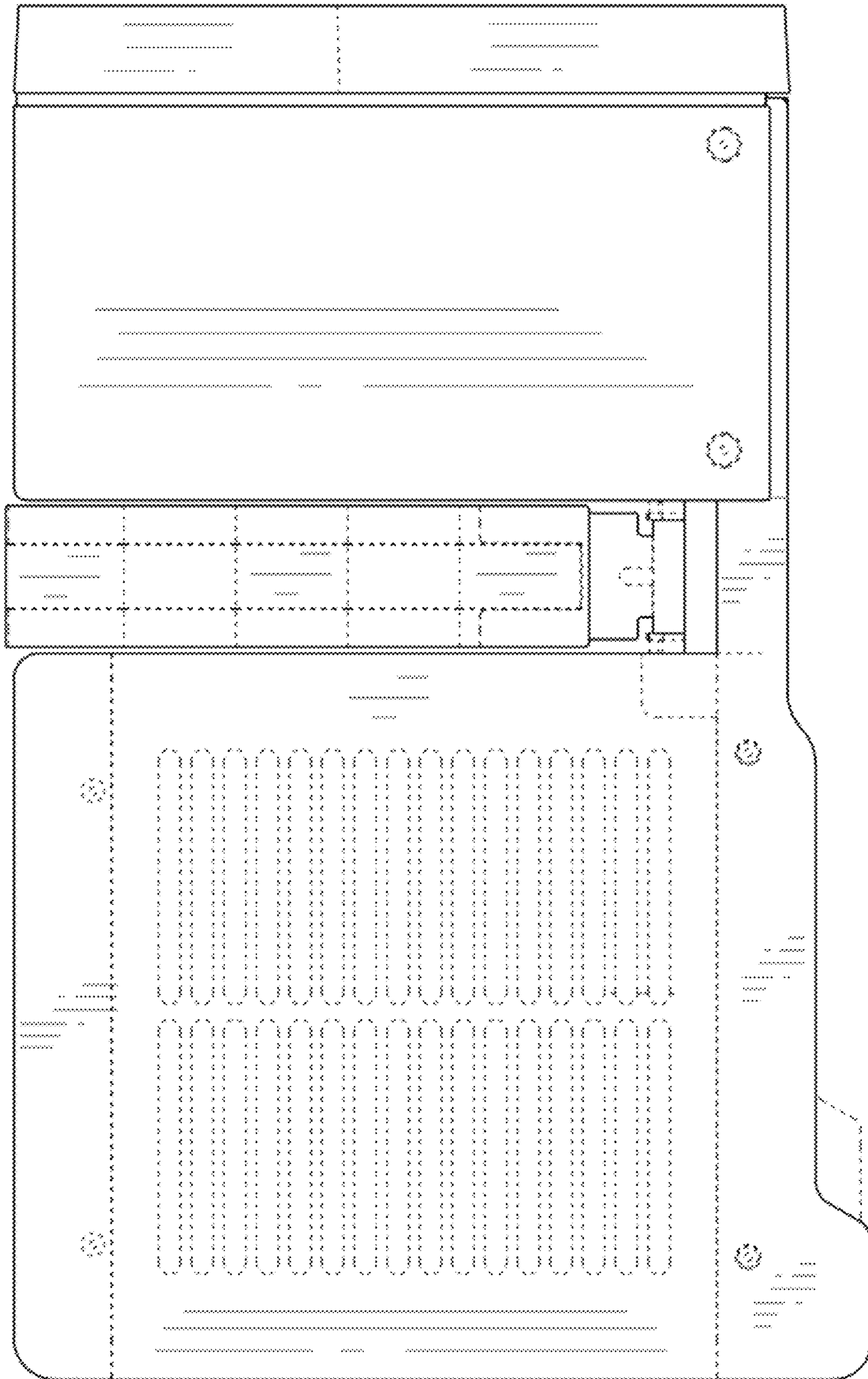


Figure 5

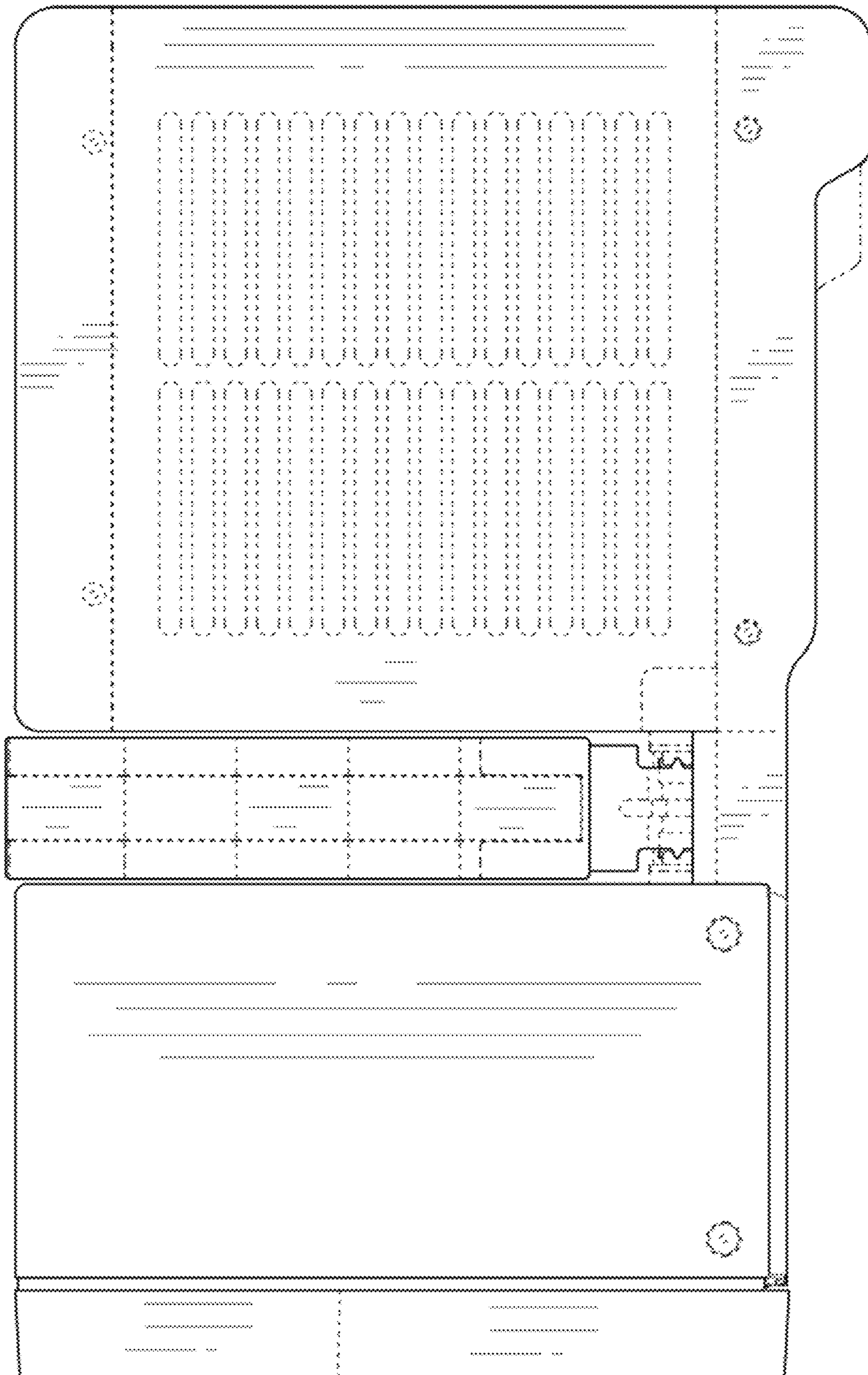


Figure 6

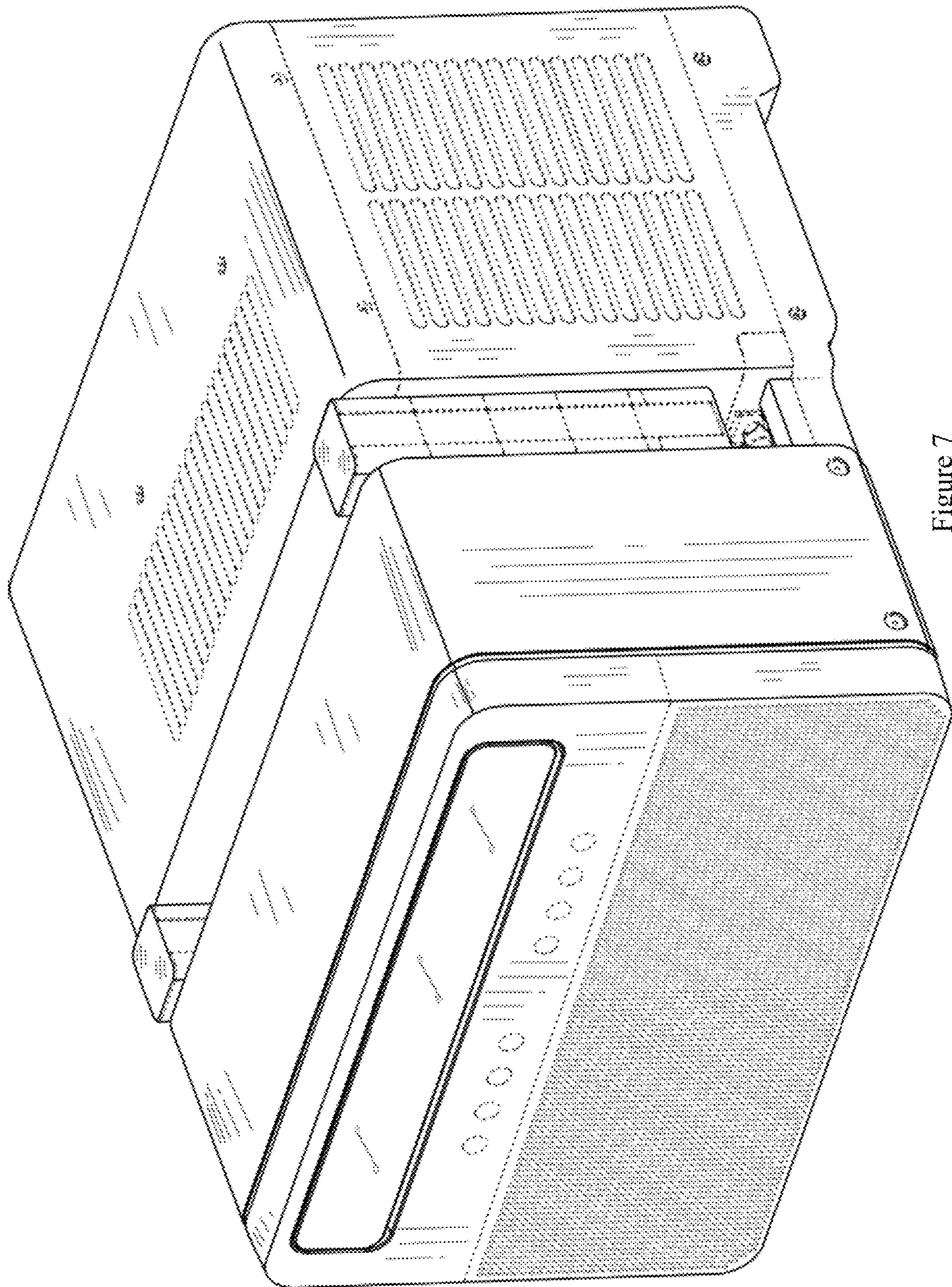


Figure 7

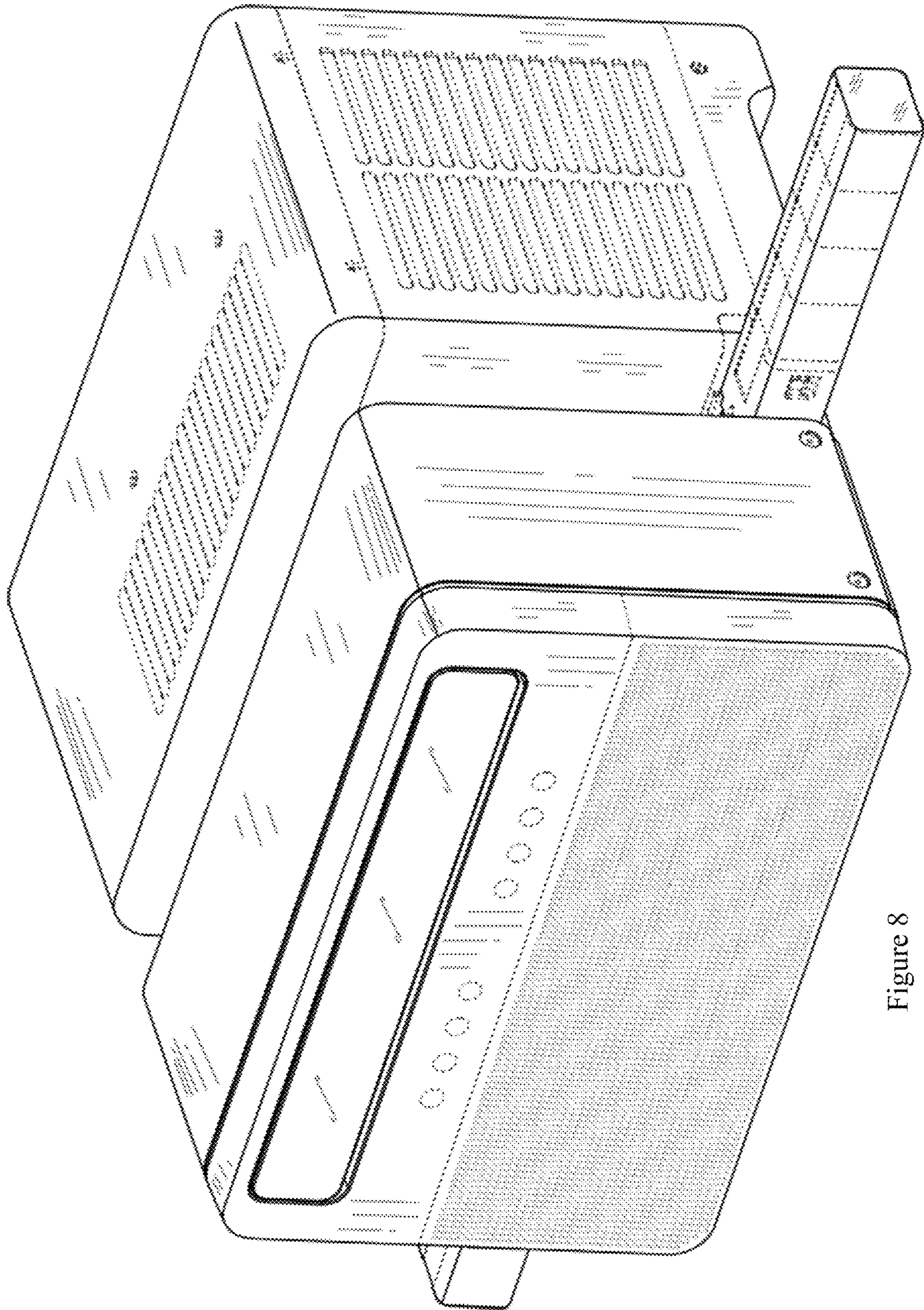


Figure 8