



US00D962403S

(12) **United States Design Patent**
Weng

(10) **Patent No.:** **US D962,403 S**

(45) **Date of Patent:** **** Aug. 30, 2022**

- (54) **FIREPLACE**
- (71) Applicant: **Zhibo Weng**, Ningbo (CN)
- (72) Inventor: **Zhibo Weng**, Ningbo (CN)
- (**) Term: **15 Years**
- (21) Appl. No.: **29/763,017**
- (22) Filed: **Dec. 21, 2020**
- (51) **LOC (13) Cl.** **23-03**
- (52) **U.S. Cl.**
USPC **D23/348**
- (58) **Field of Classification Search**
USPC D23/343, 342, 348, 332, 314, 350, 346,
D23/335; D7/332-337, 402-405, 352
CPC F24C 1/16; F24C 5/00; F24C 3/14; A47J
33/00; A47J 37/0763; A47J 37/07; F24B
1/18; F24B 1/182; F24B 1/1808; F24B
1/181; F24B 1/195; F24B 1/191
See application file for complete search history.

- 3,777,735 A * 12/1973 Miller F24B 1/181
126/519
- D236,347 S * 8/1975 Crownover D23/348
- 3,910,251 A * 10/1975 Andrew F24B 1/181
126/515
- D243,092 S * 1/1977 Sheth D23/348
- 4,006,733 A * 2/1977 Crownover F24B 1/181
126/515
- D247,914 S * 5/1978 Wiggins D23/348
- 4,112,913 A * 9/1978 Shimek F24B 1/181
126/519
- 4,194,494 A * 3/1980 Wagner F24B 1/191
126/319
- D365,145 S * 12/1995 Shadman D23/348

* cited by examiner

Primary Examiner — Ania Aman

(74) *Attorney, Agent, or Firm* — Matthias Scholl P.C.;
Matthias Scholl

(57) **CLAIM**

The ornamental design for a fireplace, as shown and described.

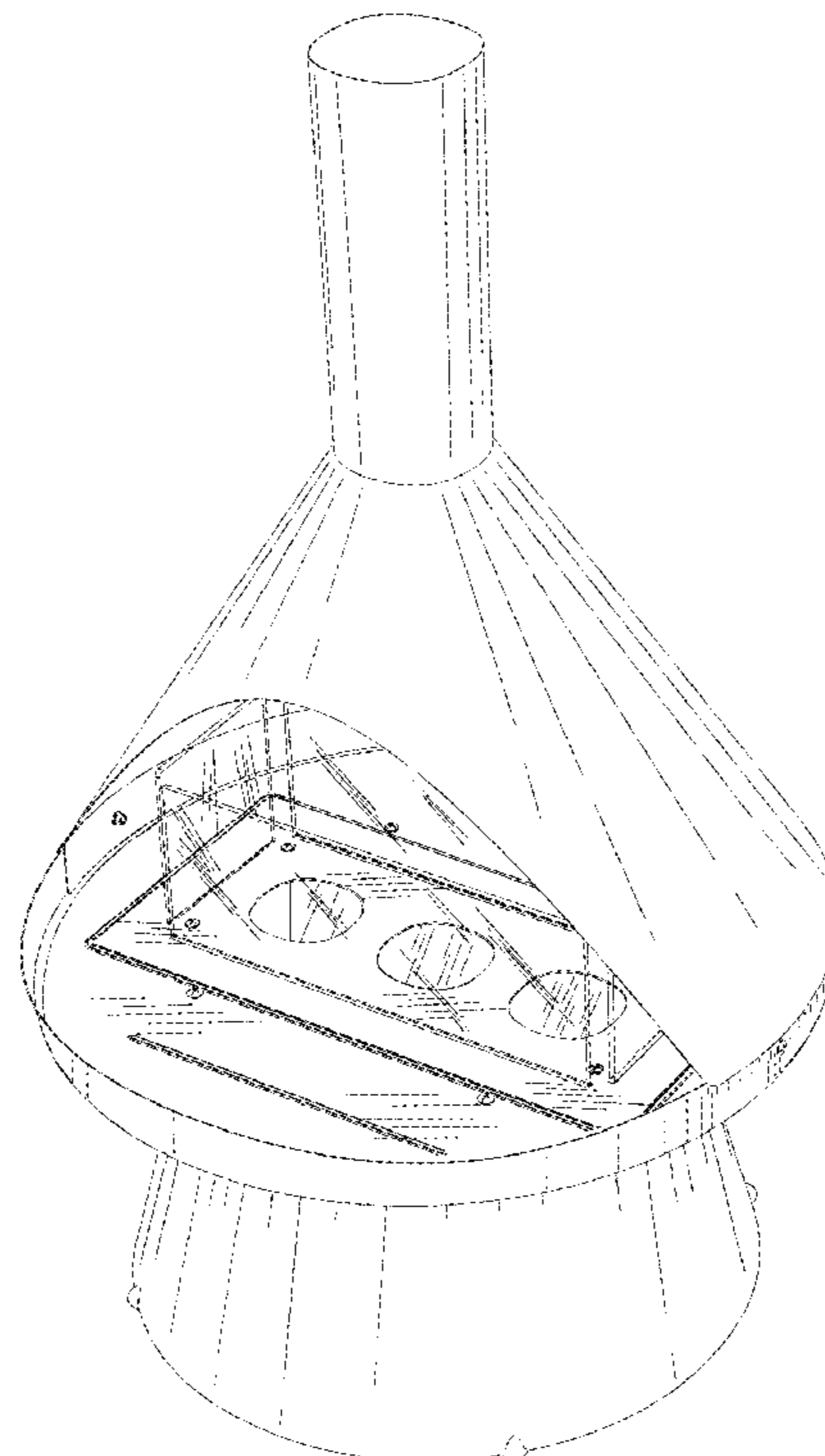
DESCRIPTION

FIG. 1 is a front elevation view of a fireplace;
 FIG. 2 is a rear elevation view thereof;
 FIG. 3 is a left-side elevation view thereof;
 FIG. 4 is a right-side elevation view thereof;
 FIG. 5 is a top plan view thereof;
 FIG. 6 is a bottom plan view thereof; and,
 FIG. 7 is a perspective view thereof.
 The broken lines in the drawings depict portions of the fireplace that form no part of the claimed design.

1 Claim, 7 Drawing Sheets

(56) **References Cited**
U.S. PATENT DOCUMENTS

- D193,823 S * 10/1962 Hamilton, Jr. D23/348
- D201,266 S * 6/1965 Rose D23/348
- 3,339,540 A * 9/1967 Kreider F24B 1/1885
126/535
- D209,255 S * 11/1967 Sandiford D23/348
- D215,718 S * 10/1969 Radeke D23/348
- 3,515,122 A * 6/1970 Andrews F24B 1/181
126/543
- D228,187 S * 8/1973 Damm D23/350



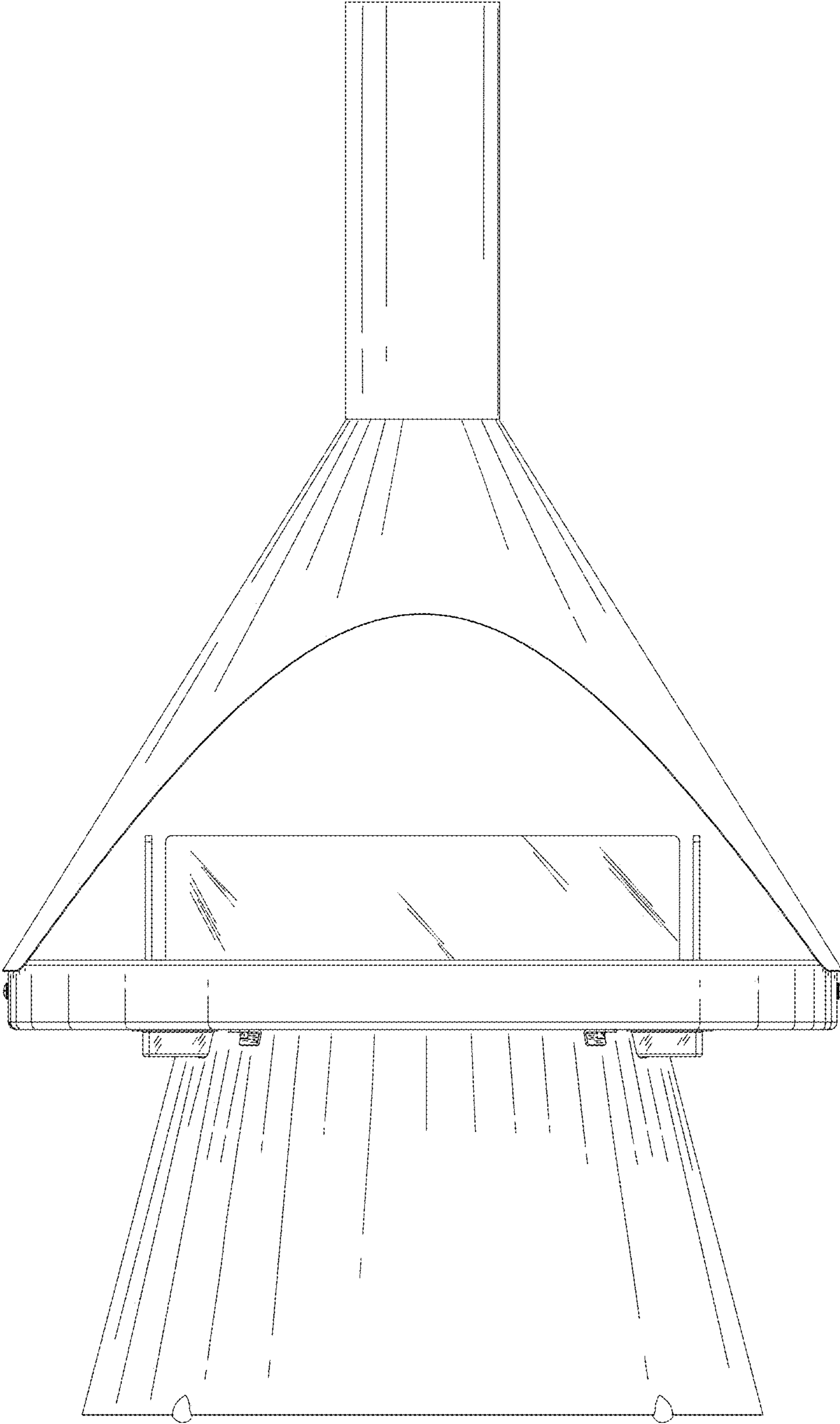


FIG. 1

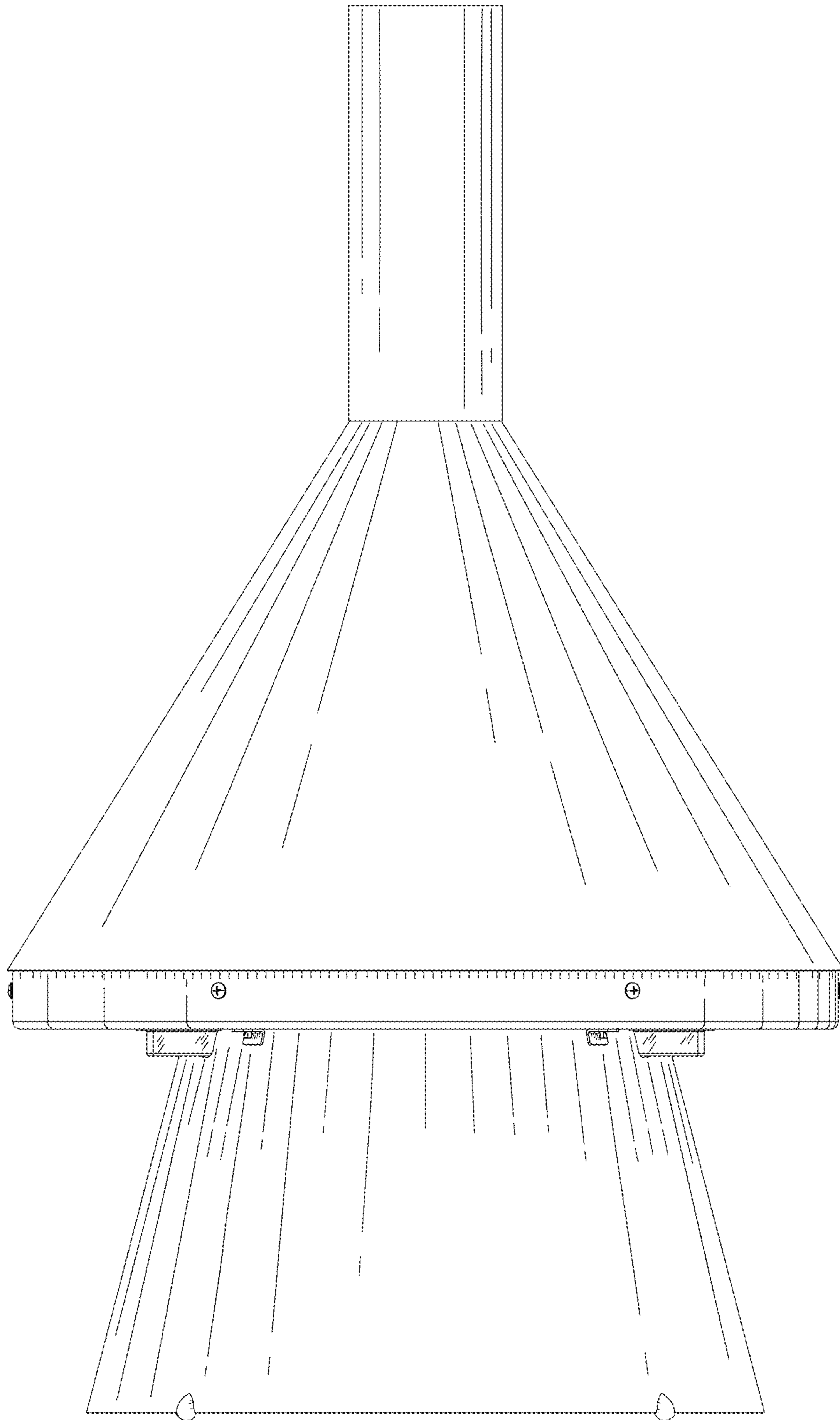


FIG. 2

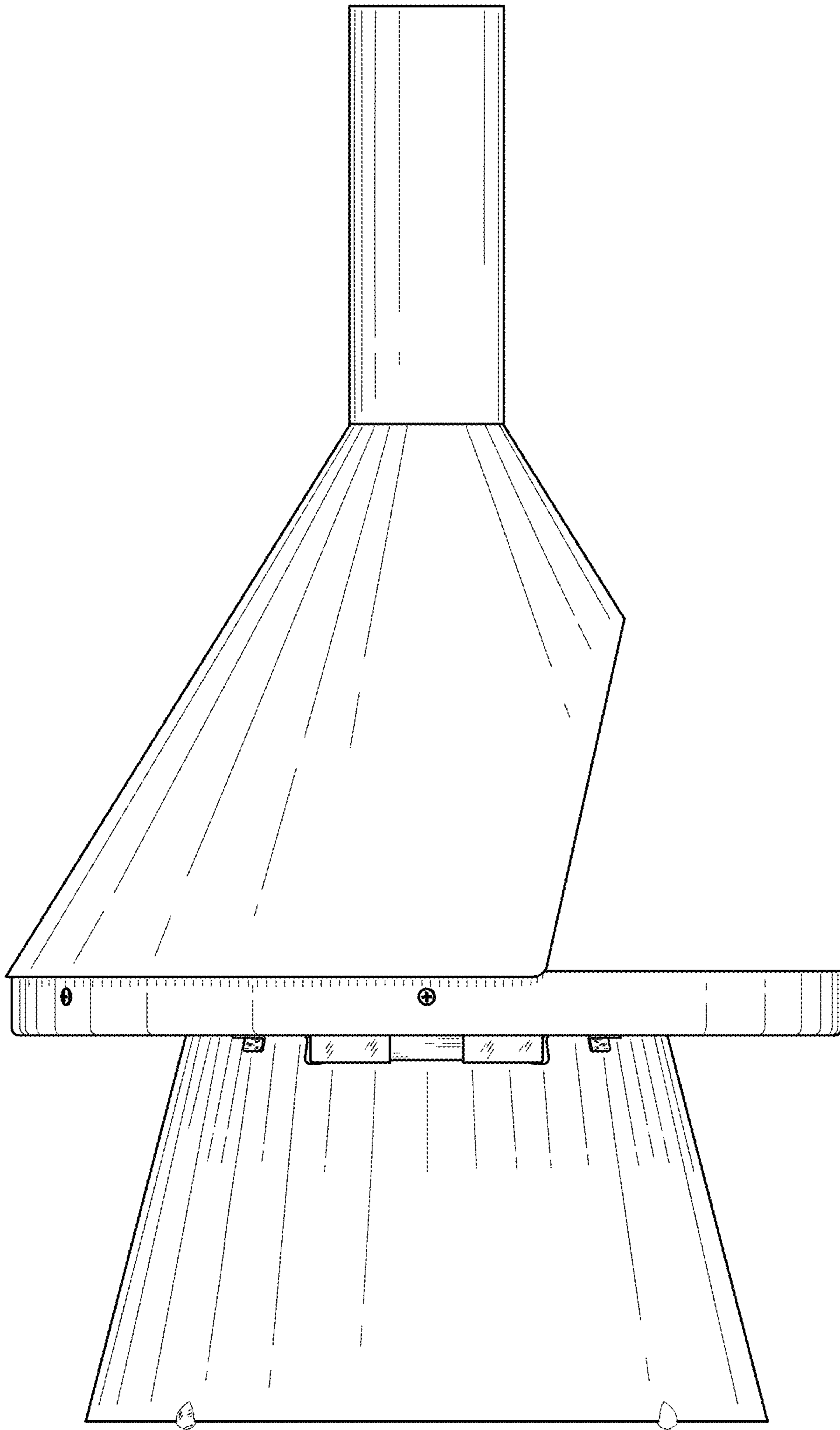


FIG. 3

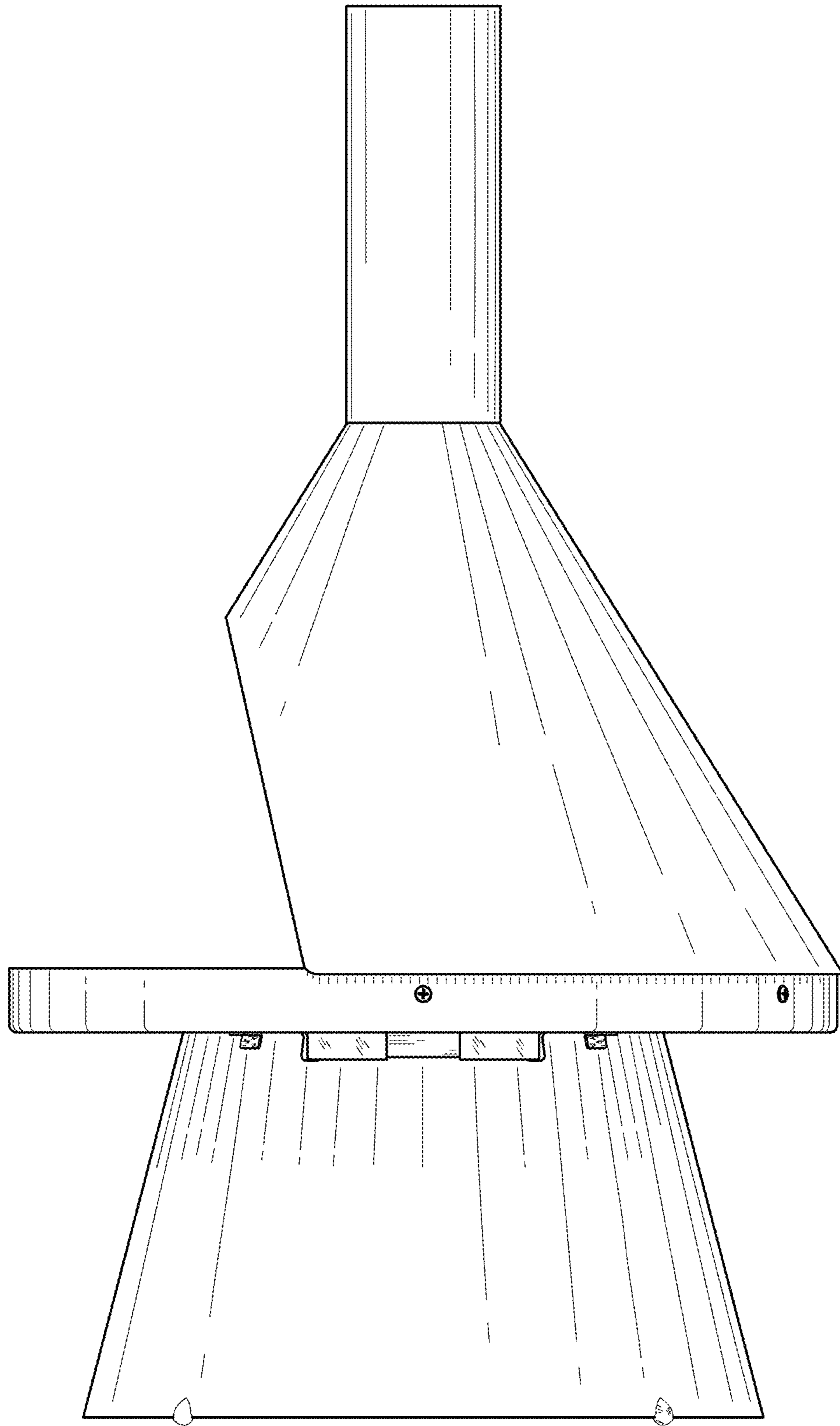


FIG. 4

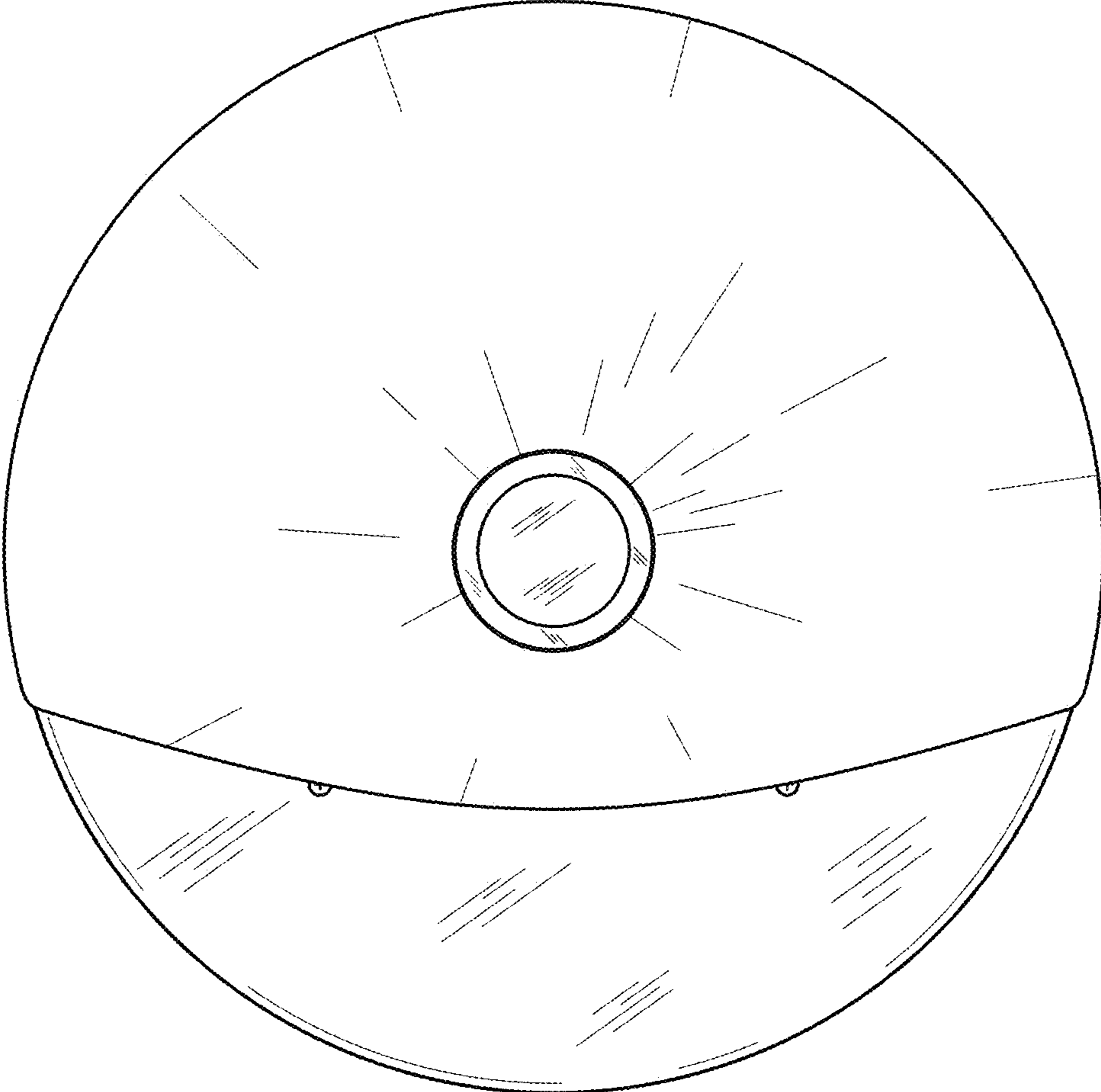


FIG. 5

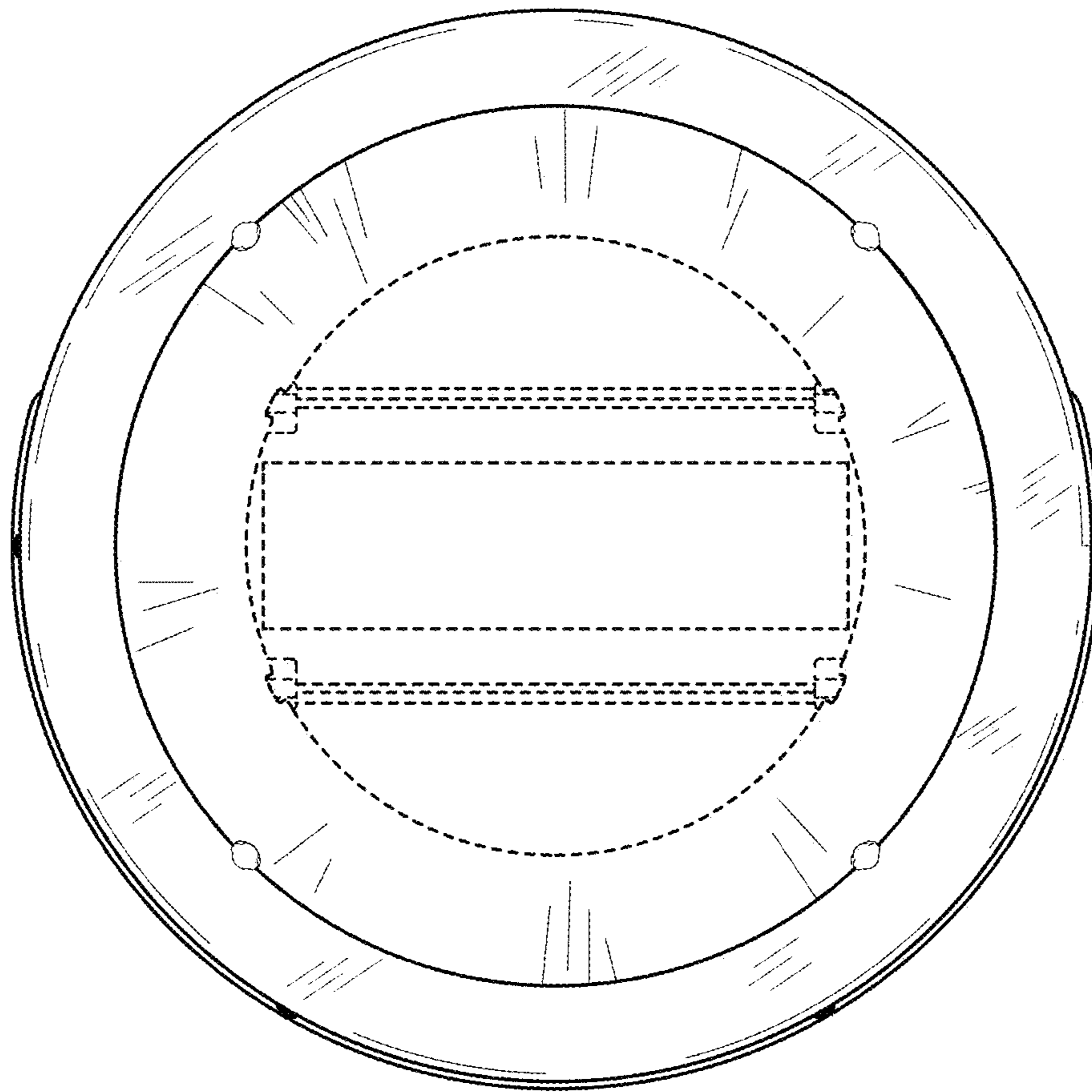


FIG. 6

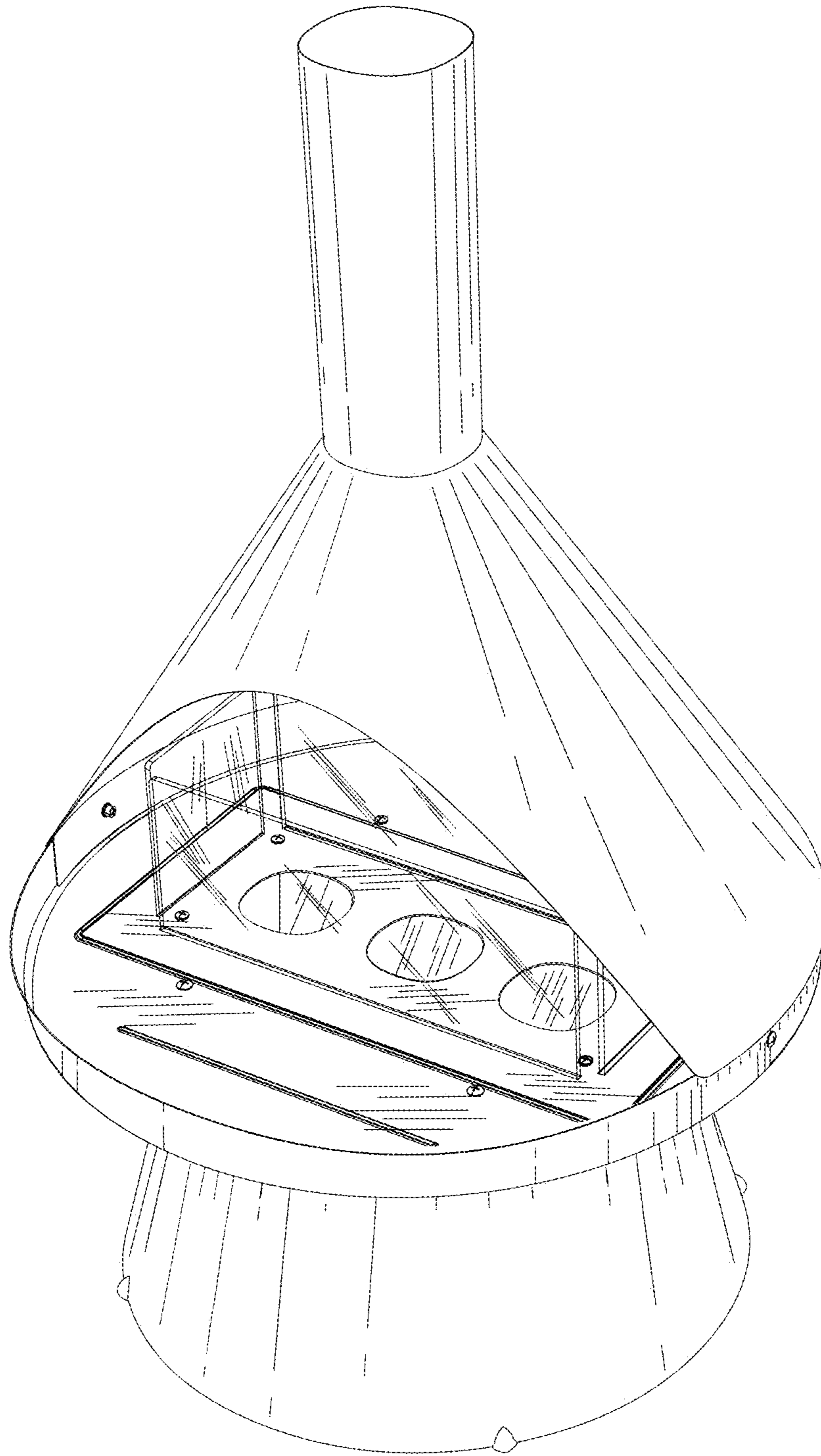


FIG. 7