



US00D962401S

(12) **United States Design Patent**
Kollmann et al.

(10) **Patent No.:** **US D962,401 S**

(45) **Date of Patent:** **** Aug. 30, 2022**

(54) **HEATING DEVICE**

(71) Applicant: **Robert Bosch GmbH**, Stuttgart (DE)

(72) Inventors: **Fabian Kollmann**, Stuttgart (DE);
Philipp Kupfer, Nuremberg (DE);
Markus Mottscheller, Nuremberg (DE)

(73) Assignee: **Robert Bosch GmbH**, Stuttgart (DE)

(**) Term: **15 Years**

(21) Appl. No.: **29/644,005**

(22) Filed: **Apr. 13, 2018**

(30) **Foreign Application Priority Data**

Oct. 13, 2017 (EM) 004400307

(51) **LOC (13) Cl.** **23-03**

(52) **U.S. Cl.**
USPC **D23/318**

(58) **Field of Classification Search**
USPC D23/314, 318, 319, 320, 322, 329, 333,
D23/334, 335, 336, 337, 338, 339, 340,
D23/341, 342, 317

CPC . F24C 7/10; F24H 1/10; F24H 9/2028; F24H
9/128; F24H 9/2021; F24H 9/2007; F24H
9/0005

See application file for complete search history.

(56) **References Cited**

U.S. PATENT DOCUMENTS

D249,684 S * 9/1978 Rams D14/214
D397,115 S * 8/1998 Gremchuck D14/214
D619,236 S * 7/2010 Schlag D23/351
D628,979 S * 12/2010 Yagi D14/214
D641,460 S * 7/2011 Choi D23/318
D714,259 S * 9/2014 Galler D14/221
D721,350 S * 1/2015 Kim D14/194
D731,633 S * 6/2015 Farone D23/364

D745,128 S * 12/2015 Farone D23/355
D766,409 S 9/2016 Buettner et al.
D768,831 S 10/2016 Buettner et al.
D768,832 S 10/2016 Buettner et al.
D769,425 S 10/2016 Buettner et al.
D769,426 S 10/2016 Buettner et al.
D769,427 S 10/2016 Buettner et al.
D769,428 S 10/2016 Buettner et al.
D770,021 S 10/2016 Buettner et al.
D770,604 S 11/2016 Buettner et al.
D773,020 S 11/2016 Buettner et al.
D831,804 S * 10/2018 Fritz D23/318
D840,006 S * 2/2019 Fritz D23/318
D840,007 S * 2/2019 Fritz D23/318

(Continued)

Primary Examiner — Ania Aman

(74) *Attorney, Agent, or Firm* — Maginot, Moore & Beck
LLP

(57) **CLAIM**

The ornamental design for a heating device, as shown and described.

DESCRIPTION

FIG. 1 is a perspective view of a heating device showing our new design;

FIG. 2 is a front elevational view of the heating device of FIG. 1;

FIG. 3 is a right side elevational view of the heating device of FIG. 1;

FIG. 4 is a bottom plan view of the heating device of FIG. 1;

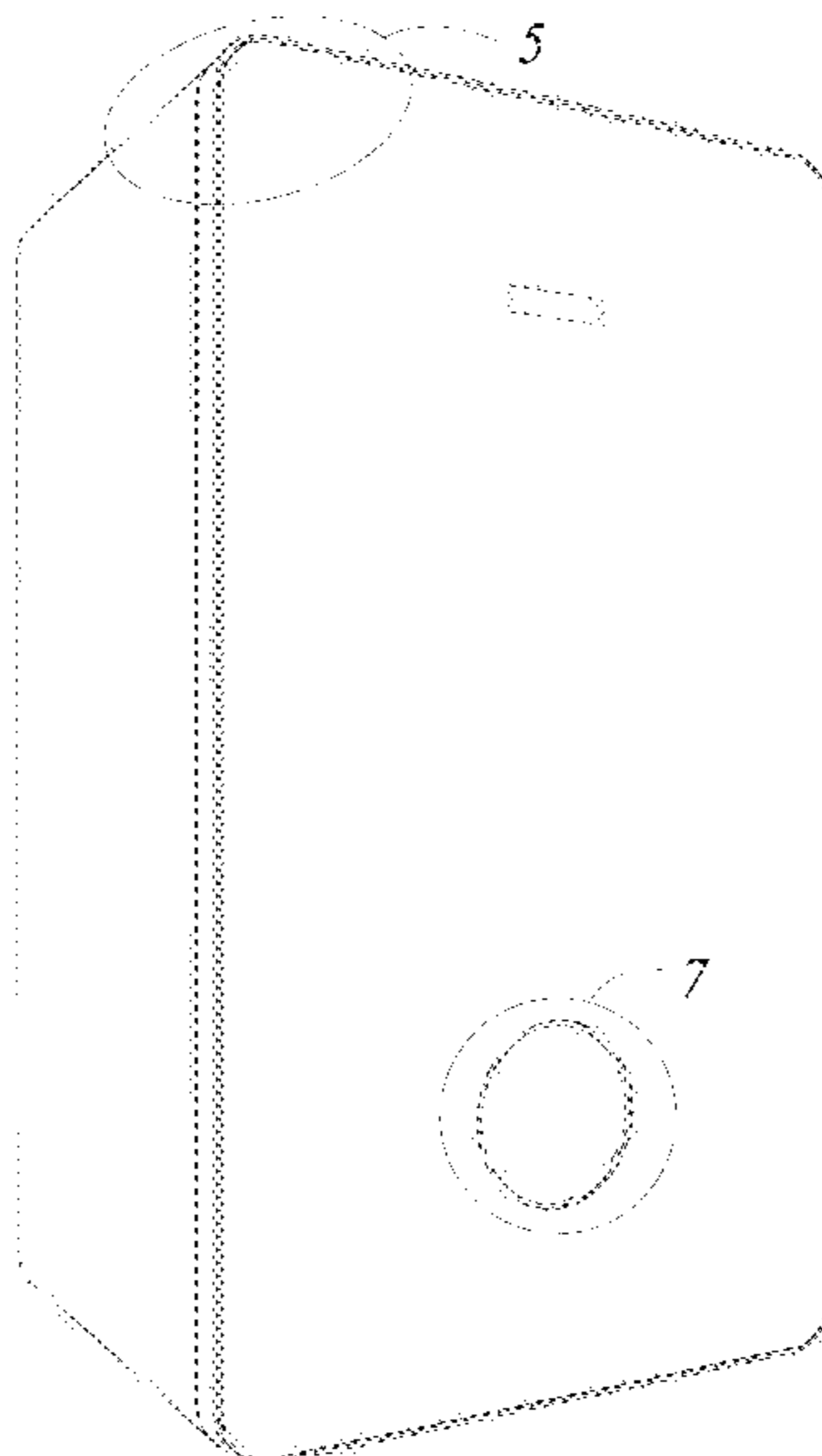
FIG. 5 is an enlarged view of portion 5 in FIG. 1;

FIG. 6 is an enlarged view of portion 6 in FIG. 2; and,

FIG. 7 is an enlarged view of portion 7 in FIG. 1.

The evenly spaced broken lines shown in the drawings illustrate portions of the heating device that form no part of the claimed design. The dash-dot-dash broken lines identifying the enlarged views form no part of the claimed design.

1 Claim, 7 Drawing Sheets



(56)

References Cited

U.S. PATENT DOCUMENTS

D841,790 S *	2/2019	Fritz	D23/318
D841,791 S *	2/2019	Fritz	D23/318
D841,792 S *	2/2019	Fritz	D23/318
D922,552 S *	6/2021	Fritz	D23/318
2011/0048237 A1 *	3/2011	Ahn	F24F 1/0071
			96/223
2012/0079995 A1 *	4/2012	Jacques	F24H 9/2007
			122/19.2
2013/0188940 A1 *	7/2013	Hacham-Yona	F24H 9/2021
			392/498

* cited by examiner

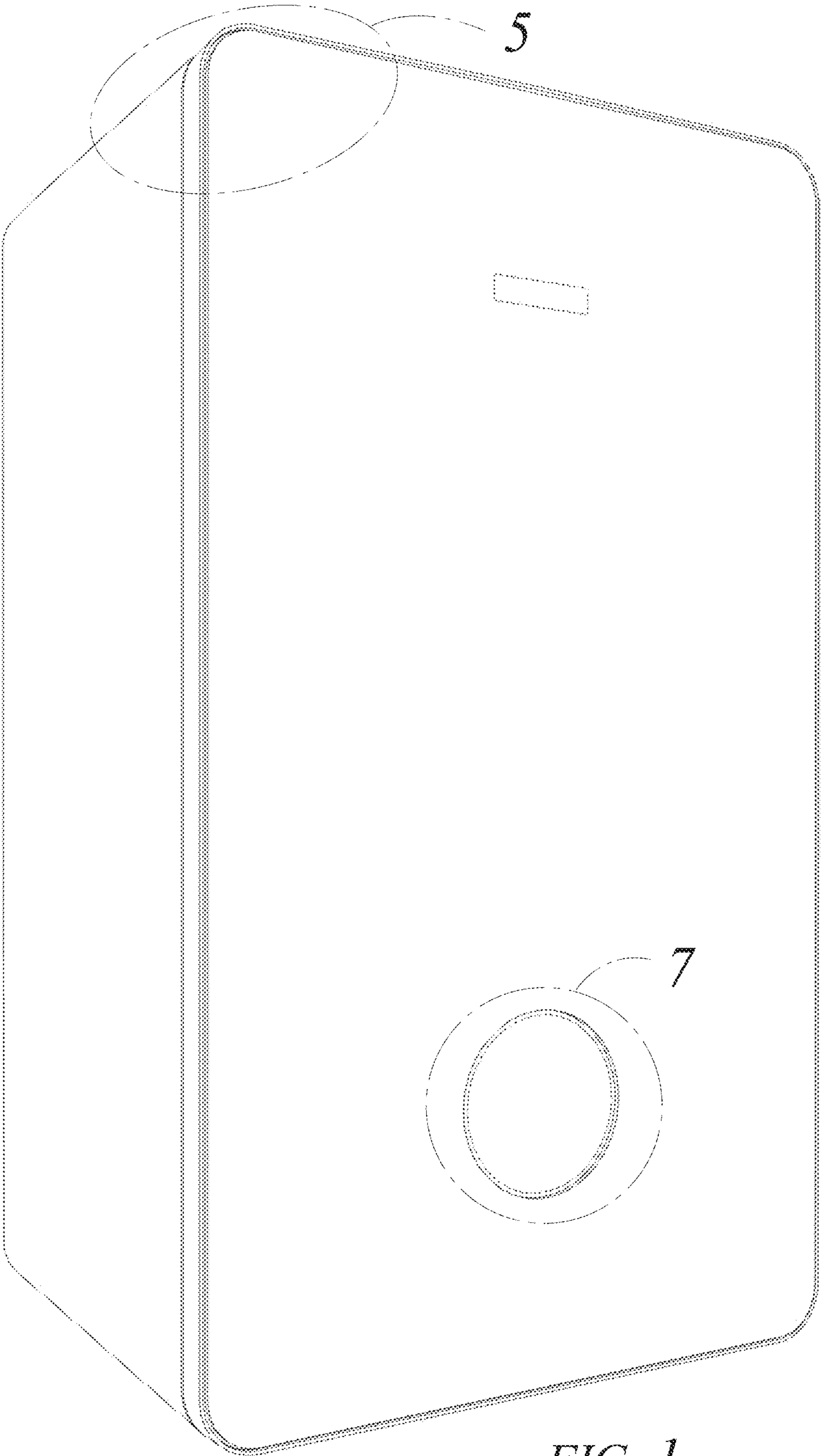


FIG. 1

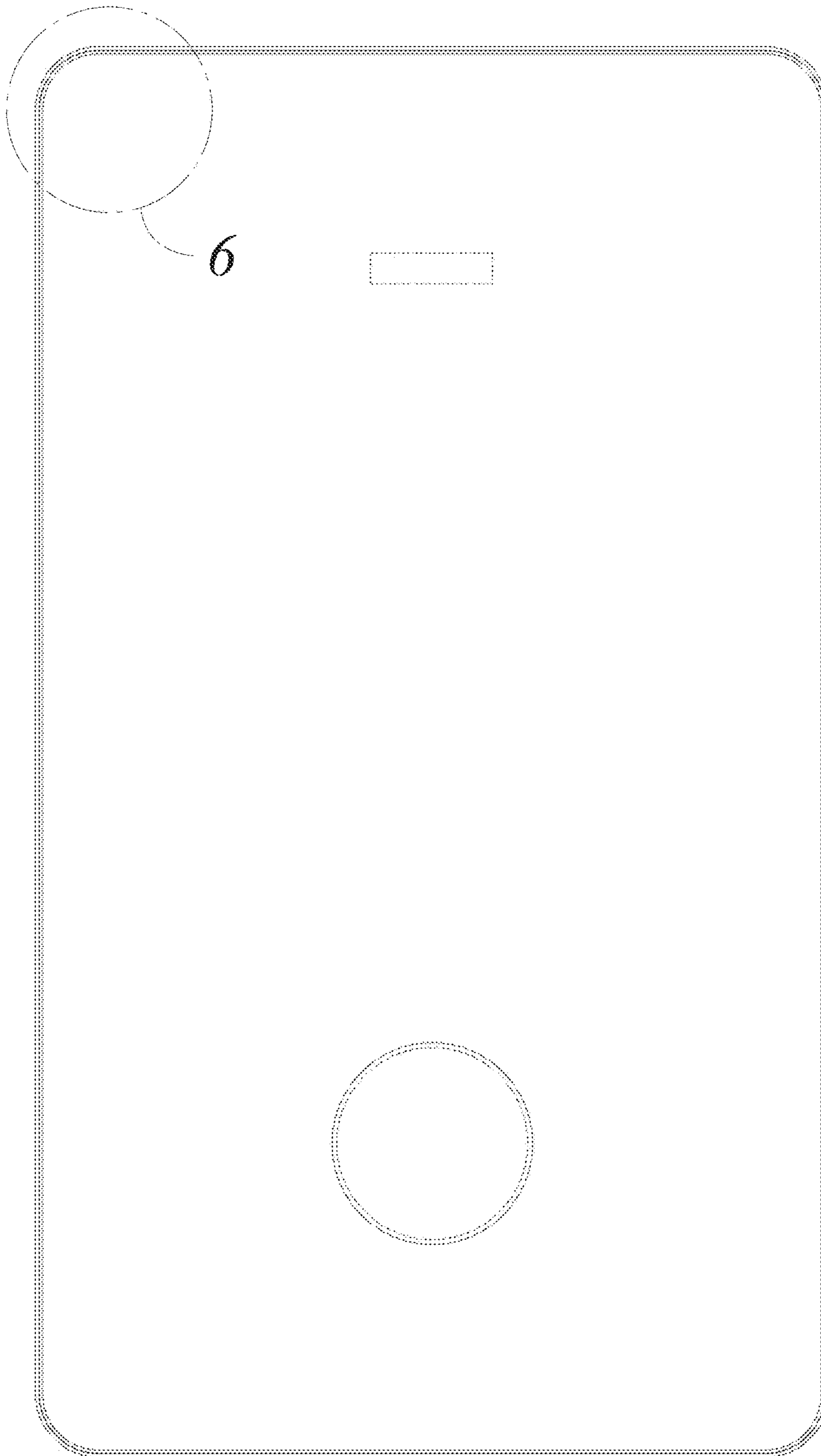


FIG. 2

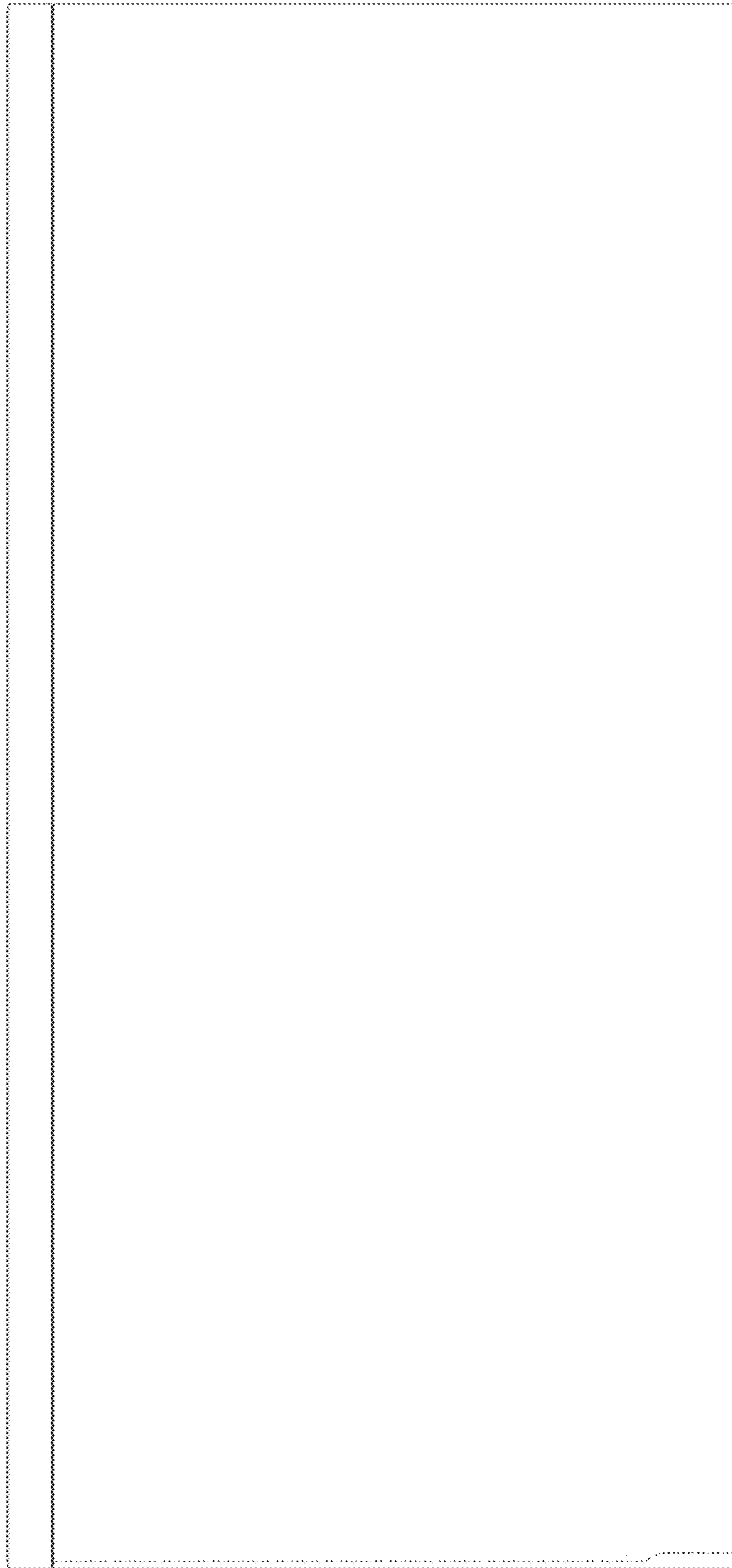


FIG. 3

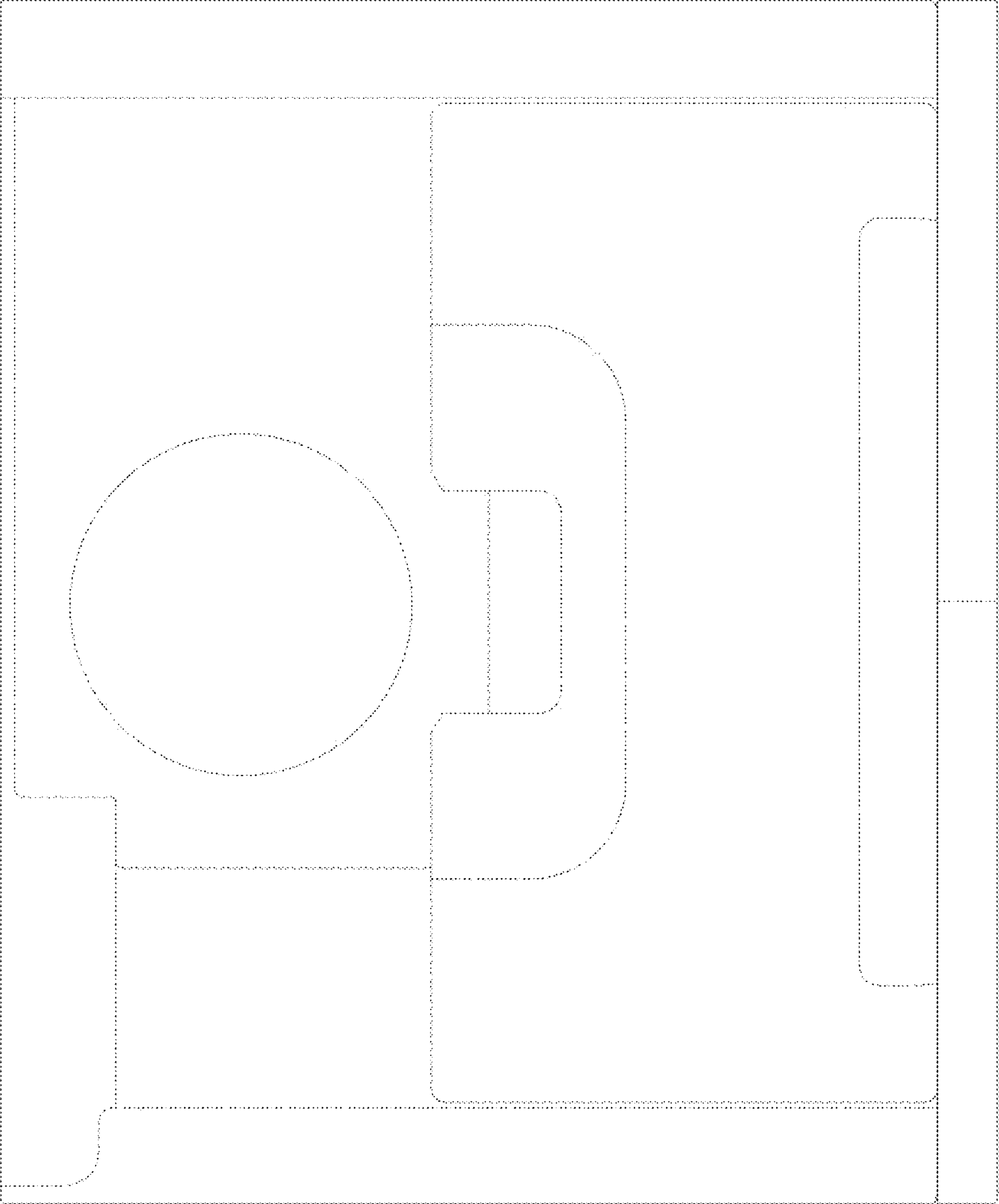


FIG. 4

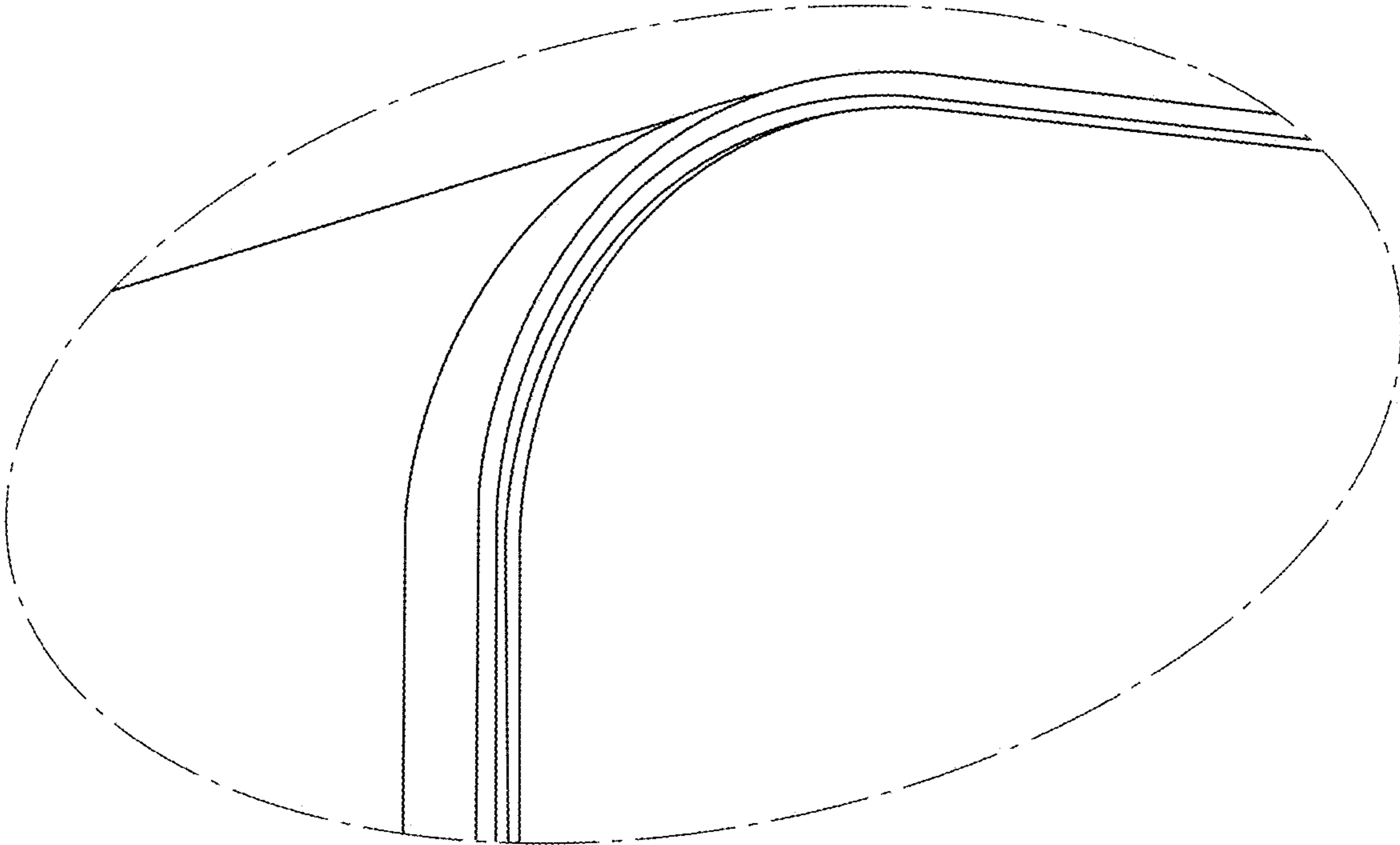


FIG. 5

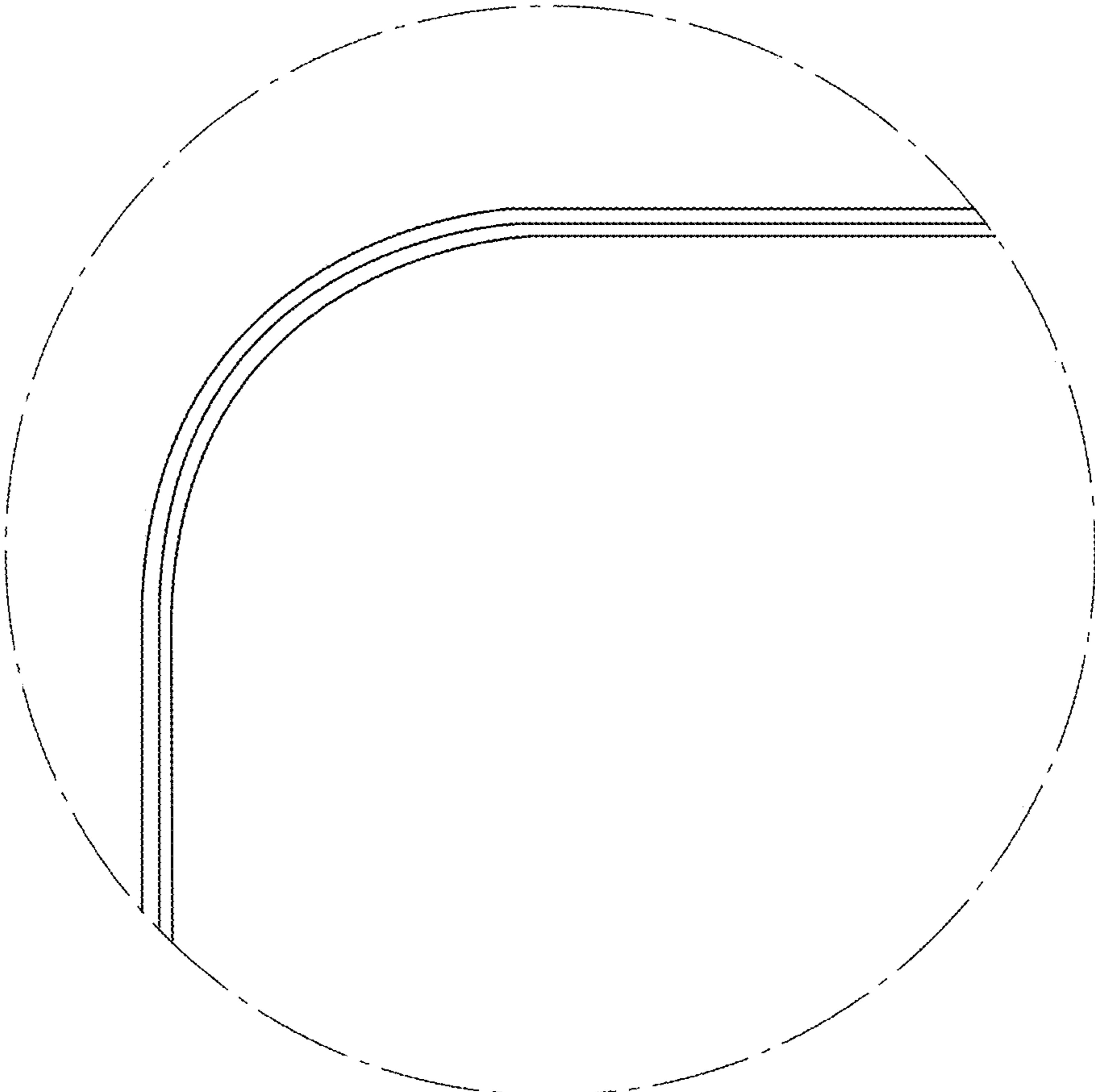


FIG. 6

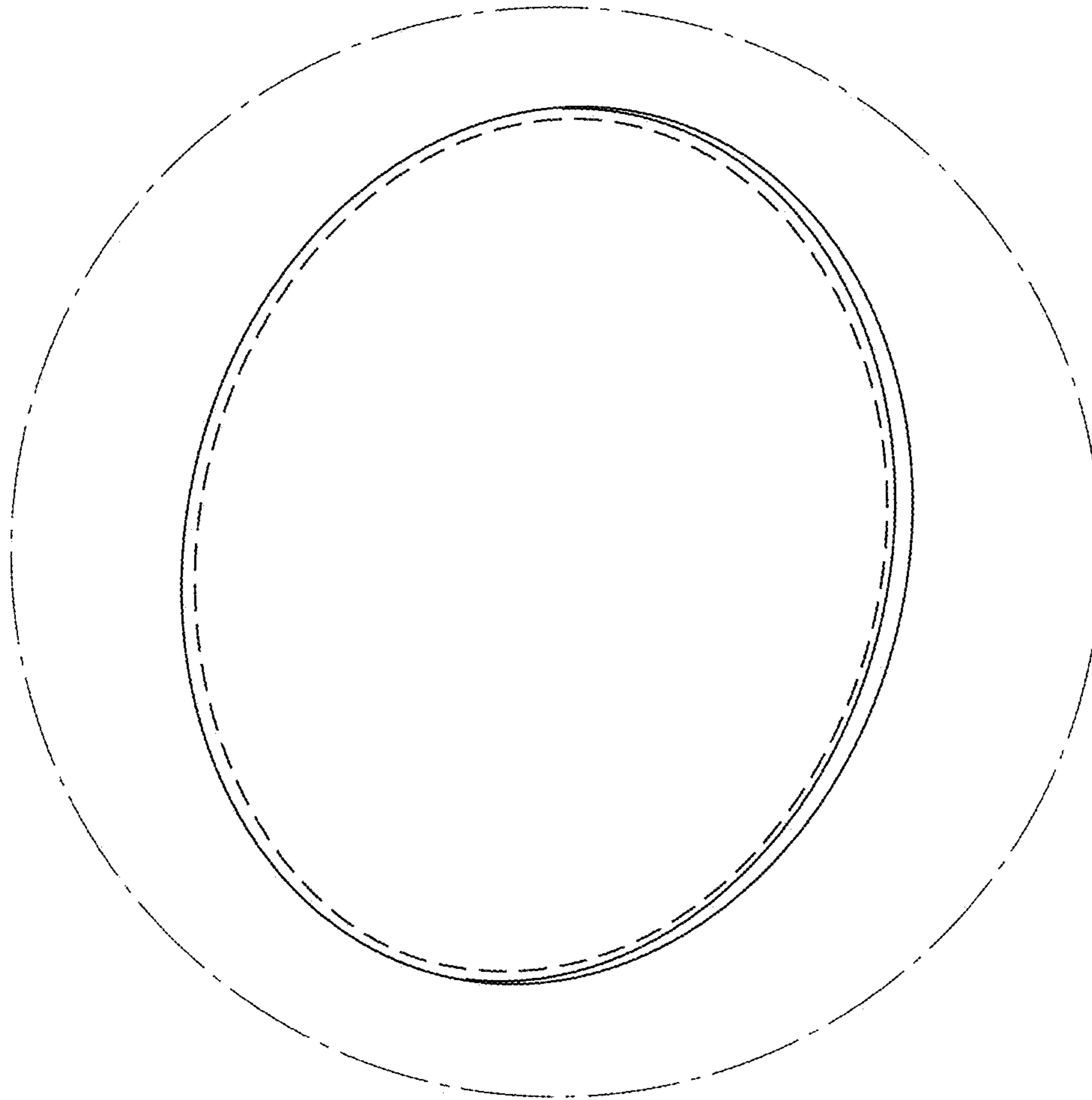


FIG. 7