



US00D962399S

(12) **United States Design Patent** (10) **Patent No.:** **US D962,399 S**
Thorne et al. (45) **Date of Patent:** **** Aug. 30, 2022**

(54) **LAVATORY BASIN**
(71) Applicant: **Bradley Fixtures Corporation**,
Menomonee Falls, WI (US)
(72) Inventors: **Scott Joseph Thorne**, Chicago, IL
(US); **Hyunchul Kim**, Chicago, IL
(US); **William L. Haas**, Richfield, WI
(US); **Cassandra Anne Schneider**,
Oconomowoc, WI (US)
(73) Assignee: **Bradley Fixtures Corporation**,
Menomonee Falls, WI (US)

10,041,236 B2 * 8/2018 Loberger E03C 1/0404
D840,003 S * 2/2019 Starck D23/284
D883,452 S * 5/2020 Belozerova D23/290
D892,990 S * 8/2020 Thorne D23/293.1
D896,931 S * 9/2020 Flowers D23/284

* cited by examiner

Primary Examiner — John A Voytek
(74) *Attorney, Agent, or Firm* — Boyle Fredrickson, S.C.

(57) **CLAIM**

The ornamental design for a lavatory basin, substantially as shown and described.

(**) Term: **15 Years**
(21) Appl. No.: **29/745,338**
(22) Filed: **Aug. 5, 2020**

DESCRIPTION

FIG. 1 is a front, raised perspective view of a lavatory basin according to the invention;
FIG. 2 is a left side view of the lavatory basin according to FIG. 1;
FIG. 3 is a right side view of the lavatory basin according to FIG. 1;
FIG. 4 is front view of the lavatory basin according to FIG. 1;
FIG. 5 is a rear side view of the lavatory basin according to FIG. 1;
FIG. 6 is a top view of the lavatory basin according to FIG. 1; and,
FIG. 7 is a bottom view of the lavatory basin according to FIG. 1.

The broken lines shown in the drawings form no part of the claimed design. Further, the lavatory basin is shown with a symbolic break in its width. The appearance of any portion of the lavatory basin between the break lines forms no part of the claimed design. The surface shading illustrated in the drawings is provided merely to highlight the contour of the design and is not part of the claimed design. All surfaces not shown form no pan of the claimed design.

1 Claim, 4 Drawing Sheets

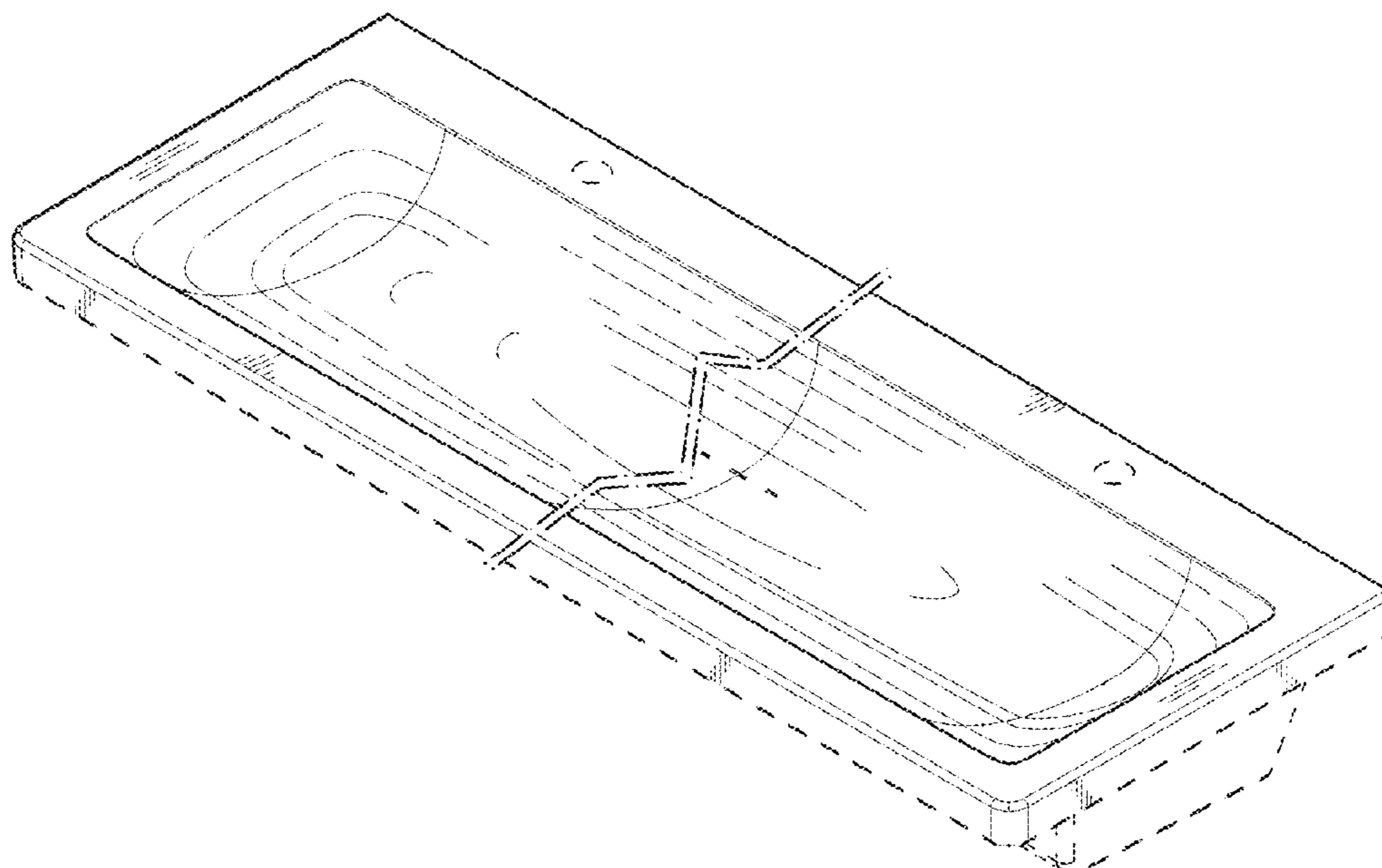
Related U.S. Application Data

(62) Division of application No. 29/619,491, filed on Sep. 29, 2017, now Pat. No. Des. 892,990.
(51) **LOC (13) Cl.** **23-02**
(52) **U.S. Cl.**
USPC **D23/290**
(58) **Field of Classification Search**
USPC D23/284, 293.1, 287-292, 303, 308
CPC A47K 1/04; A47B 77/06; A47J 47/20
See application file for complete search history.

References Cited

U.S. PATENT DOCUMENTS

D721,426 S * 1/2015 Bartlett D23/290
D735,837 S * 8/2015 Bartlett D23/290
D735,838 S * 8/2015 Bartlett D23/290
D745,122 S * 12/2015 Schonherr D23/284
D797,907 S * 9/2017 Esteve D23/293.1



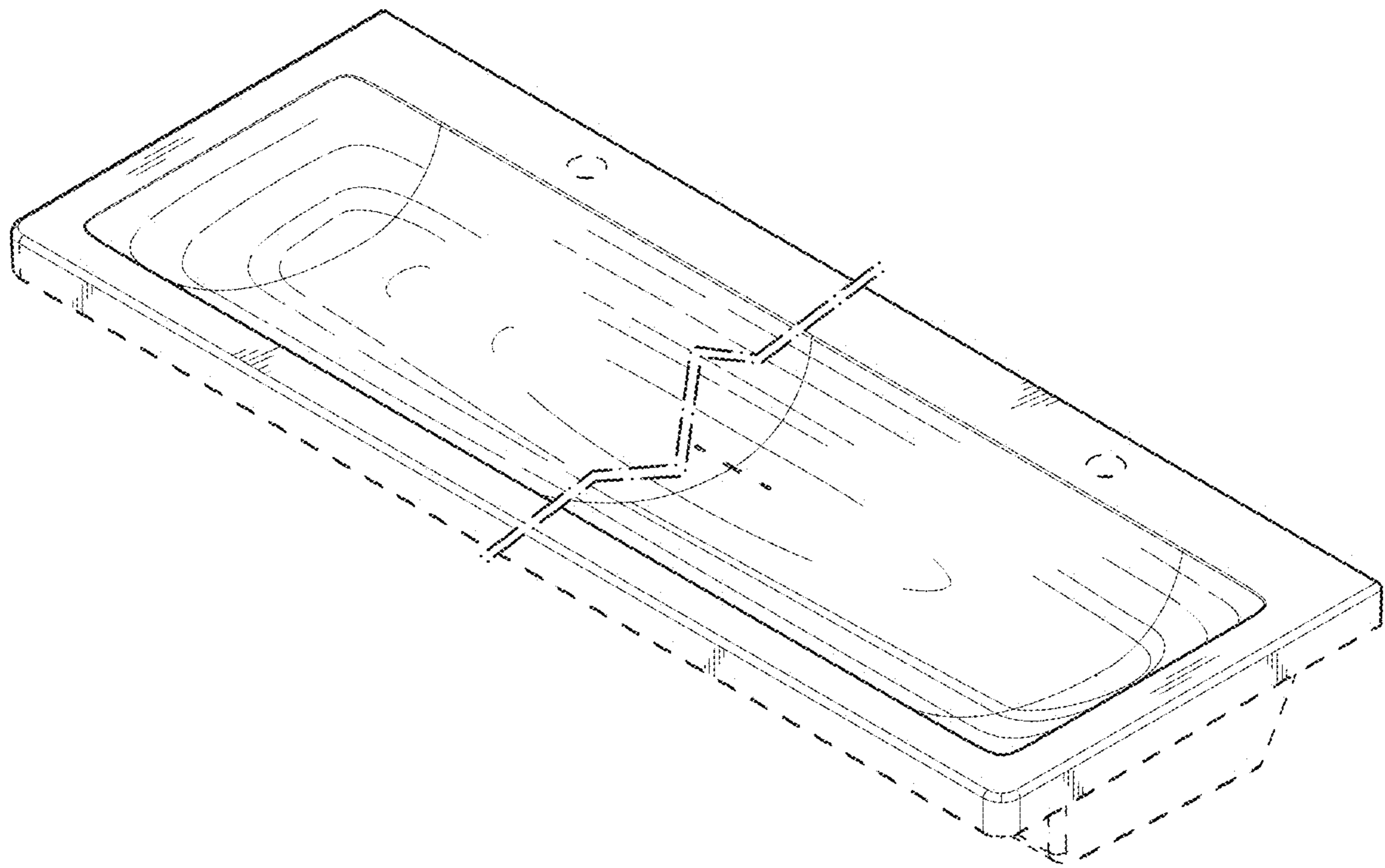


FIG. 1

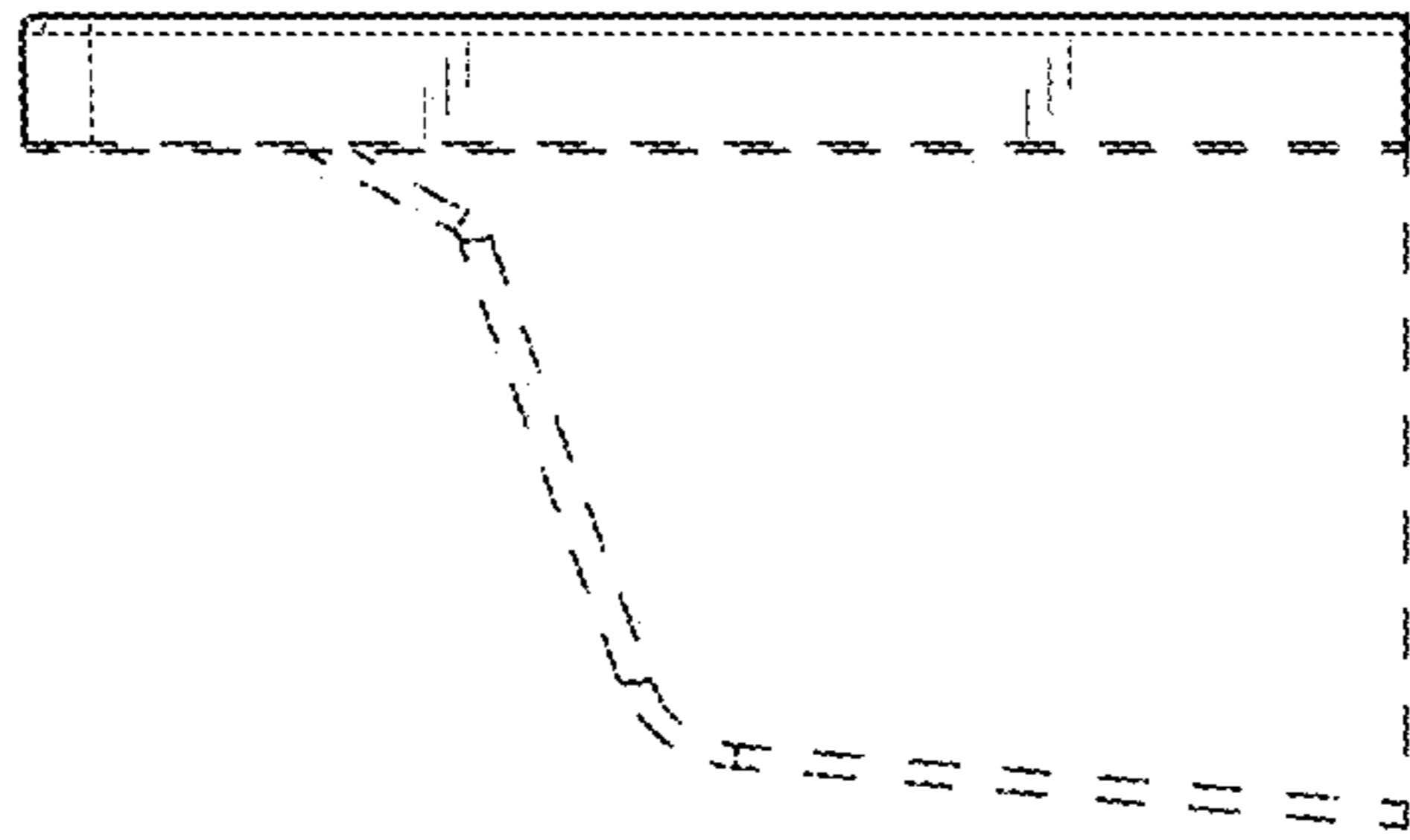


FIG. 2

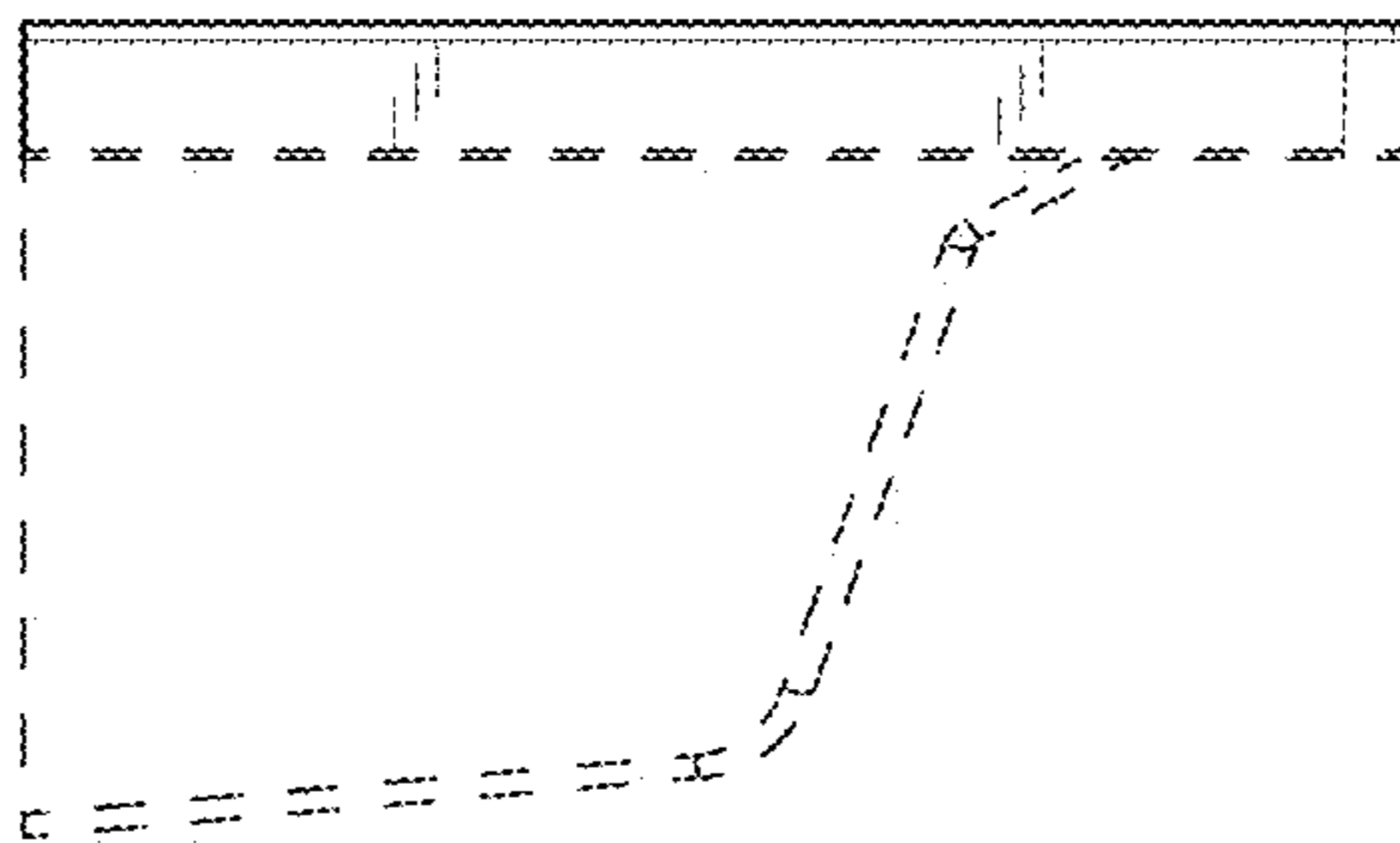


FIG. 3

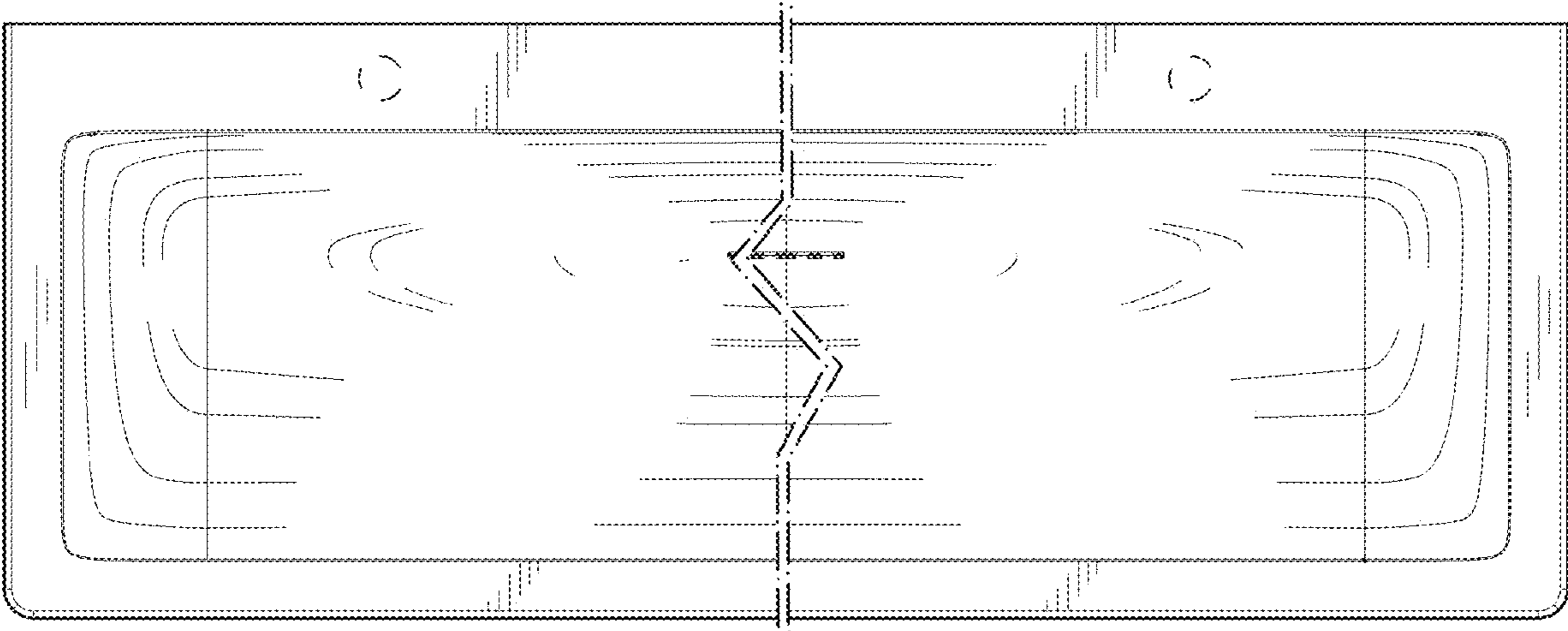


FIG. 4

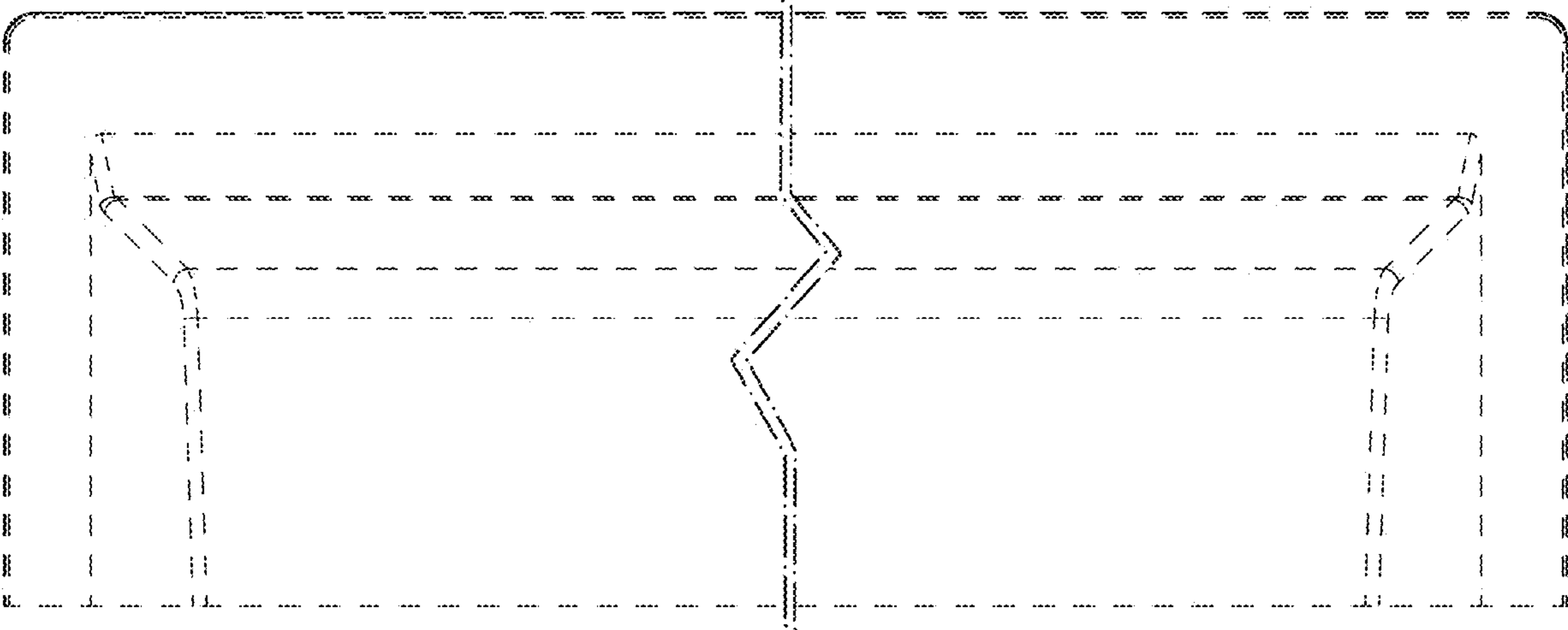


FIG. 5

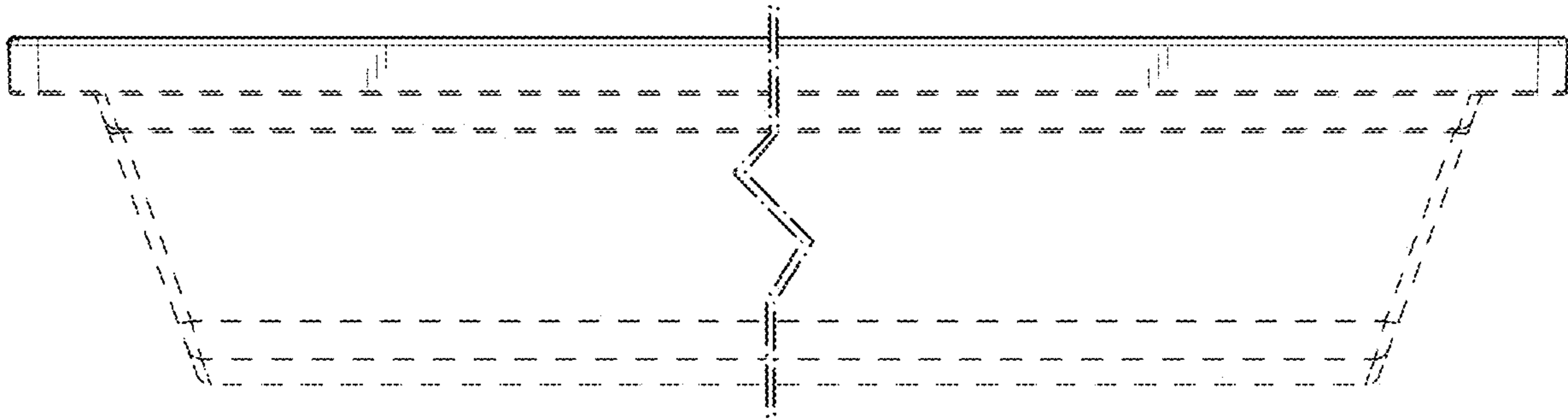


FIG. 6

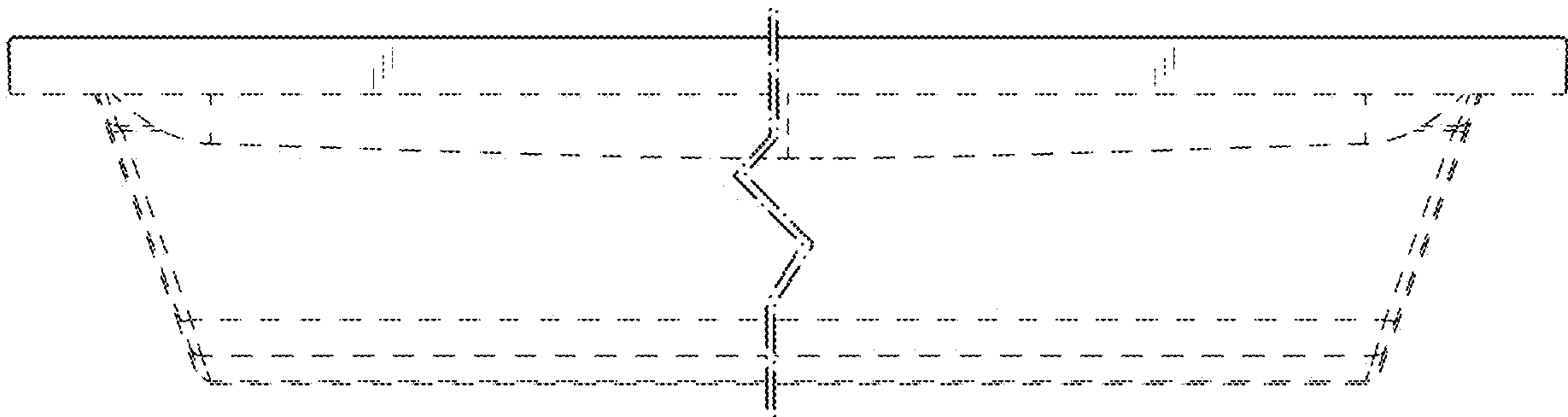


FIG. 7