



US00D962398S

(12) **United States Design Patent** (10) **Patent No.:** **US D962,398 S**
Barreto (45) **Date of Patent:** **** Aug. 30, 2022**

(54) **NOZZLE GUARD**
(71) Applicant: **Scope and Stack LLC**, Cove, OR (US)
(72) Inventor: **Adam Barreto**, Cove, OR (US)
(**) Term: **15 Years**
(21) Appl. No.: **29/684,536**
(22) Filed: **Mar. 21, 2019**
(51) **LOC (13) Cl.** **21-01**
(52) **U.S. Cl.**
USPC **D23/266**
(58) **Field of Classification Search**
USPC D23/207, 213, 214, 215, 223, 224, 225,
D23/226, 229, 230; D24/108, 110
CPC A61H 9/0021; A61H 33/00; B05B 1/00;
B05B 1/14; B05B 1/185; B05B 1/08;
B05B 1/02; B05B 1/26; B05B 12/002;
B05B 1/18; B05B 9/01
See application file for complete search history.

(56) **References Cited**

U.S. PATENT DOCUMENTS

2,404,590 A 7/1946 Nantz
3,455,514 A 7/1969 Fenley
3,463,403 A 8/1969 Marra
D243,769 S * 3/1977 Rocchio D23/227
4,579,318 A 4/1986 Keedy

(Continued)

FOREIGN PATENT DOCUMENTS

EP 2037174 3/2009
FR 2535636 5/1984

(Continued)

OTHER PUBLICATIONS

Blazer Big Shot Metal Turbo Nozzle Kit—2.25, Dec. 11, 2018,
Amazon.com, Jul. 3, 2021, URL: <https://www.amazon.com/Blazer-Shot-Metal-Turbo-Nozzle/dp/B07L9HGQ72> (Year: 2018).*

(Continued)

Primary Examiner — Jack Reickel
Assistant Examiner — Keith J Wilson
(74) *Attorney, Agent, or Firm* — Klarquist Sparkman,
LLP

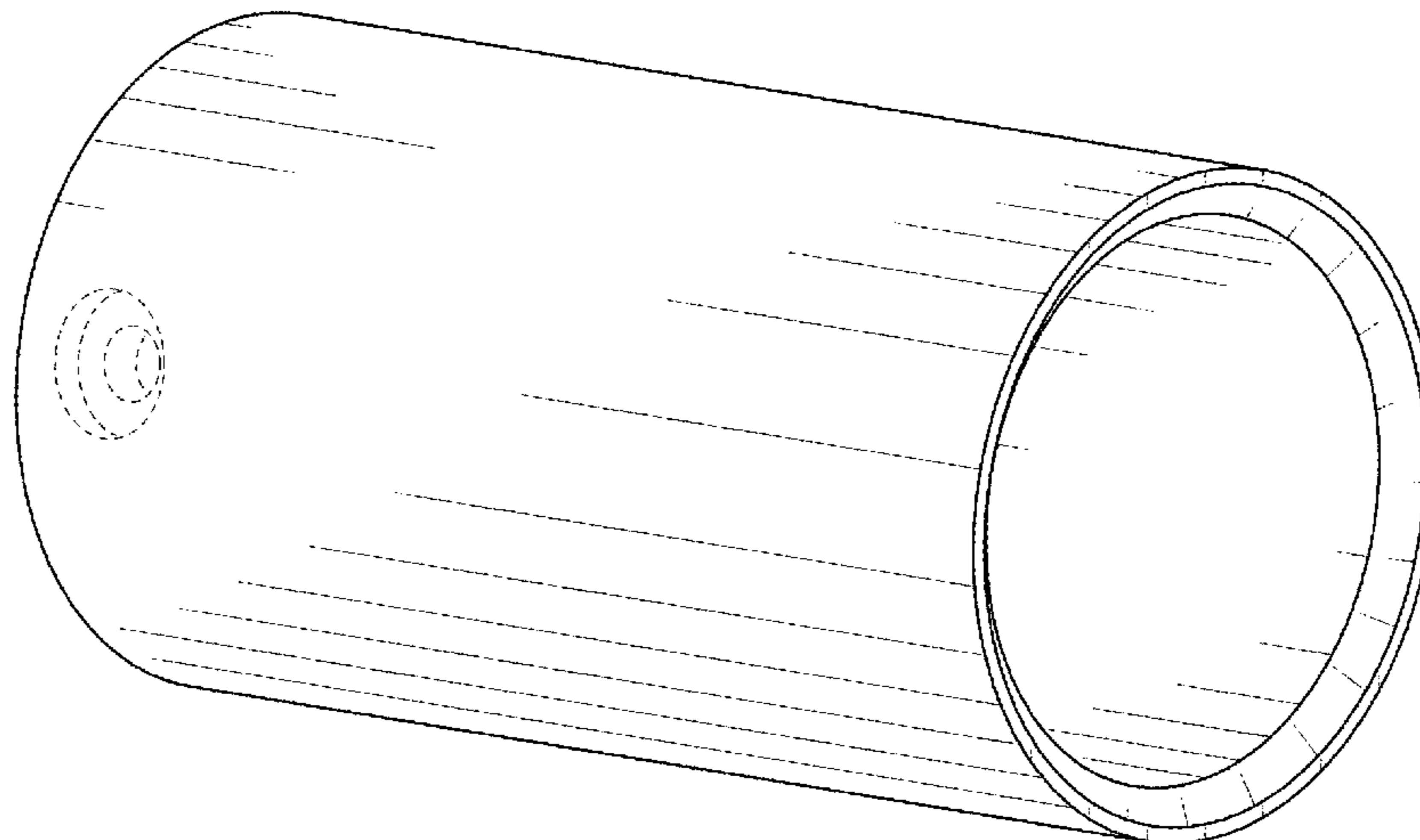
(57) **CLAIM**

I claim the ornamental design for a nozzle guard, as shown and described.

DESCRIPTION

FIG. 1 is a perspective view of the nozzle guard showing my new design, as viewed from the front, top, and one side, according to one embodiment.
FIG. 2 is a front end view thereof.
FIG. 3 is a rear end view thereof.
FIG. 4 is a left side view thereof.
FIG. 5 is a right side view thereof.
FIG. 6 is a top plan view thereof.
FIG. 7 is a bottom plan view thereof.
FIG. 8 is another perspective view thereof as viewed from the top, rear, and one side.
FIG. 9 is another perspective view thereof as viewed from the front, top, and one side; and,
FIG. 10 is a perspective view of the nozzle guard shown on an exemplary gas torch.
The broken lines in the drawings are for the purpose of illustrating environmental structure as well as portions of the design that form no part of the present claimed design.
The ornamental design includes ornamental design elements/features, shown in solid lines (claimed) and dashed lines (unclaimed). This disclosure includes all design elements/features individually and in all combinations and subcombinations. All such design elements/features may be claimed individually and in all combinations and subcombinations with each other in related applications.

1 Claim, 6 Drawing Sheets



(56)

References Cited

U.S. PATENT DOCUMENTS

4,585,410 A 4/1986 Baker et al.
D295,549 S * 5/1988 MacLeod D23/227
D347,259 S * 5/1994 Fewell D23/227
5,440,100 A 8/1995 Stuart et al.
D375,159 S * 10/1996 Johansson D24/176
D441,060 S * 4/2001 Lefroy-Brooks D23/266
D475,126 S * 5/2003 Bonne D23/266
D487,135 S * 2/2004 Lord D23/245
D519,190 S * 4/2006 Lord D23/238
D522,614 S * 6/2006 Ko D23/213
D535,357 S * 1/2007 Zhou D23/238
D550,326 S * 9/2007 Huang D23/213
7,284,931 B2 10/2007 Stratford
D574,932 S * 8/2008 Zhuang D23/266
D580,023 S * 11/2008 Gilbert D23/255
D583,015 S * 12/2008 Soriano D23/249
D713,508 S * 9/2014 Downey D23/238
D716,653 S * 11/2014 Balembois D9/435
D719,242 S * 12/2014 Kim D23/255
D723,667 S * 3/2015 Locke D23/266
D754,301 S * 4/2016 Bahler D23/255
D758,552 S * 6/2016 Rexach D23/255
D776,795 S * 1/2017 Lucero, Jr. D23/259
D780,993 S * 3/2017 Bramley D27/170
D797,257 S * 9/2017 Potter D23/255
D798,423 S * 9/2017 Aubin D23/266
D802,091 S * 11/2017 Bahler D23/213
D805,611 S * 12/2017 Rexach D23/257
D842,429 S * 3/2019 Huang D23/213
D842,430 S * 3/2019 Huang D23/213
D847,951 S * 5/2019 Zhang D23/238
D866,707 S * 11/2019 Eads D23/213
D866,708 S * 11/2019 Bahler D23/213
D867,522 S * 11/2019 Tentler D23/213
D867,523 S * 11/2019 Tentler D23/213
D867,524 S * 11/2019 Tentler D23/213
D867,525 S * 11/2019 Eads D23/213
D867,527 S * 11/2019 Eads D23/213
D870,234 S * 12/2019 Judge D23/213
D870,845 S * 12/2019 Eads D23/213
D874,613 S * 2/2020 Park D23/238
D878,519 S * 3/2020 Abbhagen D23/213
D886,251 S * 6/2020 Mezzalira D23/266
D900,983 S * 11/2020 Leung D23/266
D911,488 S * 2/2021 Spater D23/213
D924,355 S * 7/2021 Diefenbach D23/213
2007/0252022 A1 * 11/2007 Benstead B05B 1/1618
239/590.5
2009/0223597 A1 * 9/2009 Castro B67D 7/3209
141/392
2013/0119148 A1 * 5/2013 Eley B05B 1/042
239/11
2015/0298154 A1 10/2015 Morgan et al.

2016/0136659 A1 * 5/2016 Erickson B05B 1/1618
239/443
2018/0003376 A1 * 1/2018 Thieffault F21S 13/12
2021/0137239 A1 * 5/2021 Carlucci A45D 20/12

FOREIGN PATENT DOCUMENTS

GB 854534 A * 11/1960 B21C 37/16
JP 2003-166703 6/2003
WO WO 2018/138084 A1 8/2018

OTHER PUBLICATIONS

KOOZIE Thick Foam Can Cooler, Nov. 21, 2020, amazon.com, Nov. 22, 2021, URL: <https://www.amazon.com/KOOZIE-Original-Insulated-Non-Collapsible-Personalized/dp/B08QDPCRS7> (Year: 2020).*

CSBD Blank Beer Can Huggers, Mar. 11, 2016, amazon.com, Nov. 22, 2021, URL: <https://www.amazon.com/dp/B07RT6VXN7> (Year: 2016).*

WOTOW Bike Tire CO2 Inflators Kits, Quick Inflate Bicycle Pumps Nozzle with Insulated Sleeve, Oct. 27, 2019 <https://www.amazon.com/WOTOW-Inflators-Insulated-Glueless-Cartridge/dp/B07ZND8PTT> (Year: 2019).*

Hazet 903SLG-017 Plastic Sleeve, Mar. 27, 2017, amazon.com, Nov. 29, 2021, URL: <https://www.amazon.com/Hazet-903SLG-017-Plastic-Sleeve/dp/B001C9Z41S>(Year: 2017).*

Westinghouse Lighting 7037100 Socket Covers, Jan. 16, 2007, amazon.com, Nov. 29, 2021, URL: <https://www.amazon.com/Westinghouse-Lighting-7037100-Socket-Covers/dp/B00002NACK/> (Year: 2007).*

Creative Hobbies 2 Inch Tall White Plastic Candle Covers Sleeves, Apr. 12, 2016, amazon.com, Nov. 29, 2021, URL: <https://www.amazon.com/Creative-Hobbies-Plastic-Sleeves-Chandelier/dp/B07DLBL6J> (Year: 2016).*

Allstar Performance ALL18565-10 Reducer Bushing, Jun. 23, 2010, amazon.com, Nov. 29, 2021, URL: <https://www.amazon.com/Allstar-Performance-ALL18565-10-Reducer-Bushing/dp/B00F0BKZVI> (Year: 2010).*

Kohler K-34842 Metal Sleeve, Jan. 6, 2015, amazon.ca, Apr. 7, 2022, URL: <https://www.amazon.ca/Kohler-34842-K-34842-Metal-Sleeve/dp/B0014SQWR2/> (Year: 2015).*

10Pcs 8Mm LM8UU Linear Ball Bearing, Apr. 30, 2018, amazon.ca, Apr. 7, 2022, URL: <https://www.amazon.ca/Linear-Bearing-Double-Bushing-Printer/dp/B07CRLSS7N/> (Year: 2018).*

SPE 9419 Spectre Performance 9419 3" Diameter 6" Length Aluminum Tube, Jun. 13, 2014, amazon.ca, Apr. 7, 2022, URL: <https://www.amazon.ca/Spectre-Performance-3-Inch-Diameter-Aluminum/dp/B004AIZ8U0/> (Year: 2014).*

Exhaust Pipe Silencer, 51 mm Universal Motorcycle Exhaust Pipe, Dec. 2, 2020, amazon.ca, Apr. 7, 2022, URL: <https://www.amazon.ca/dp/B08PFRQ7FV> (Year: 2020).*

* cited by examiner

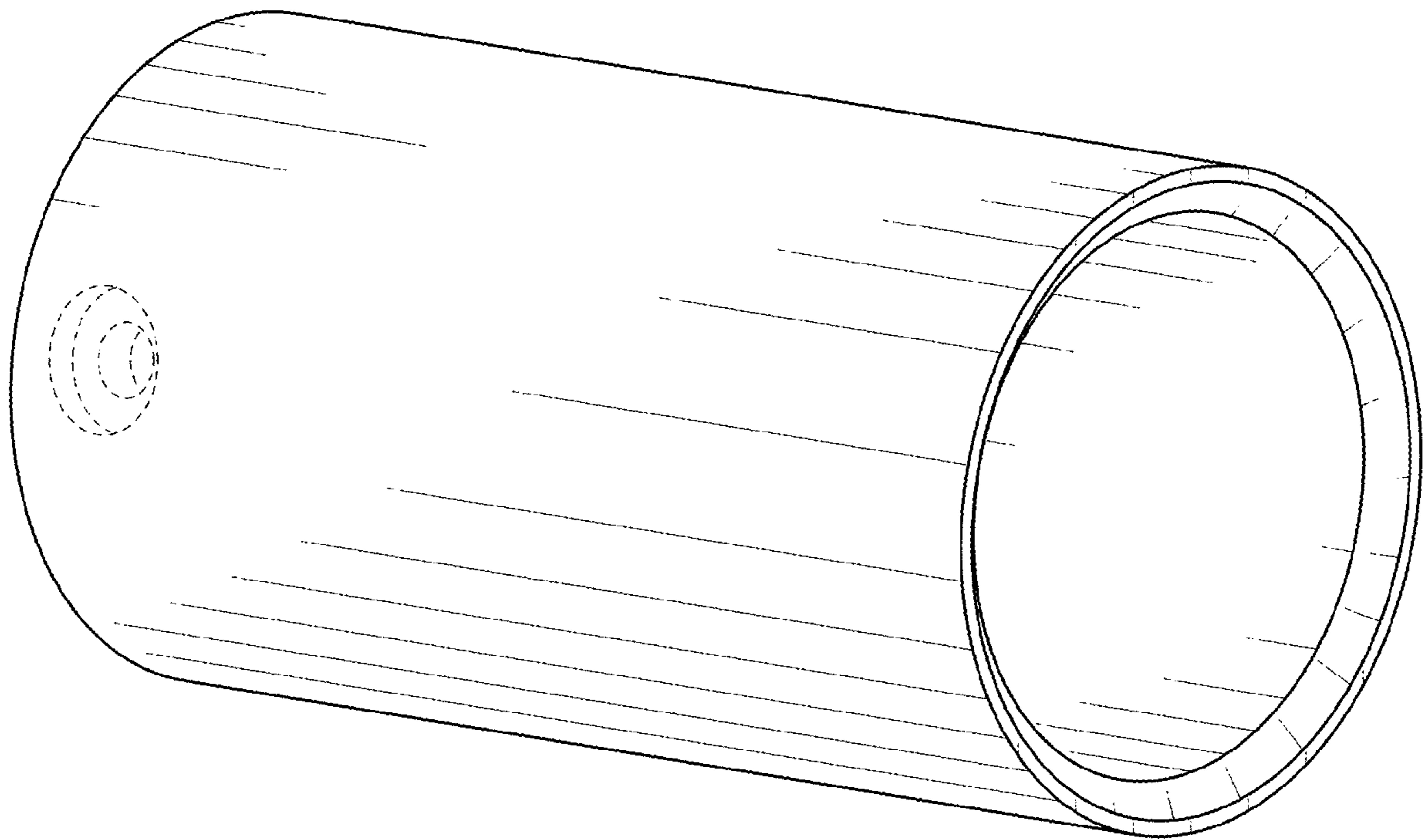


FIG. 1

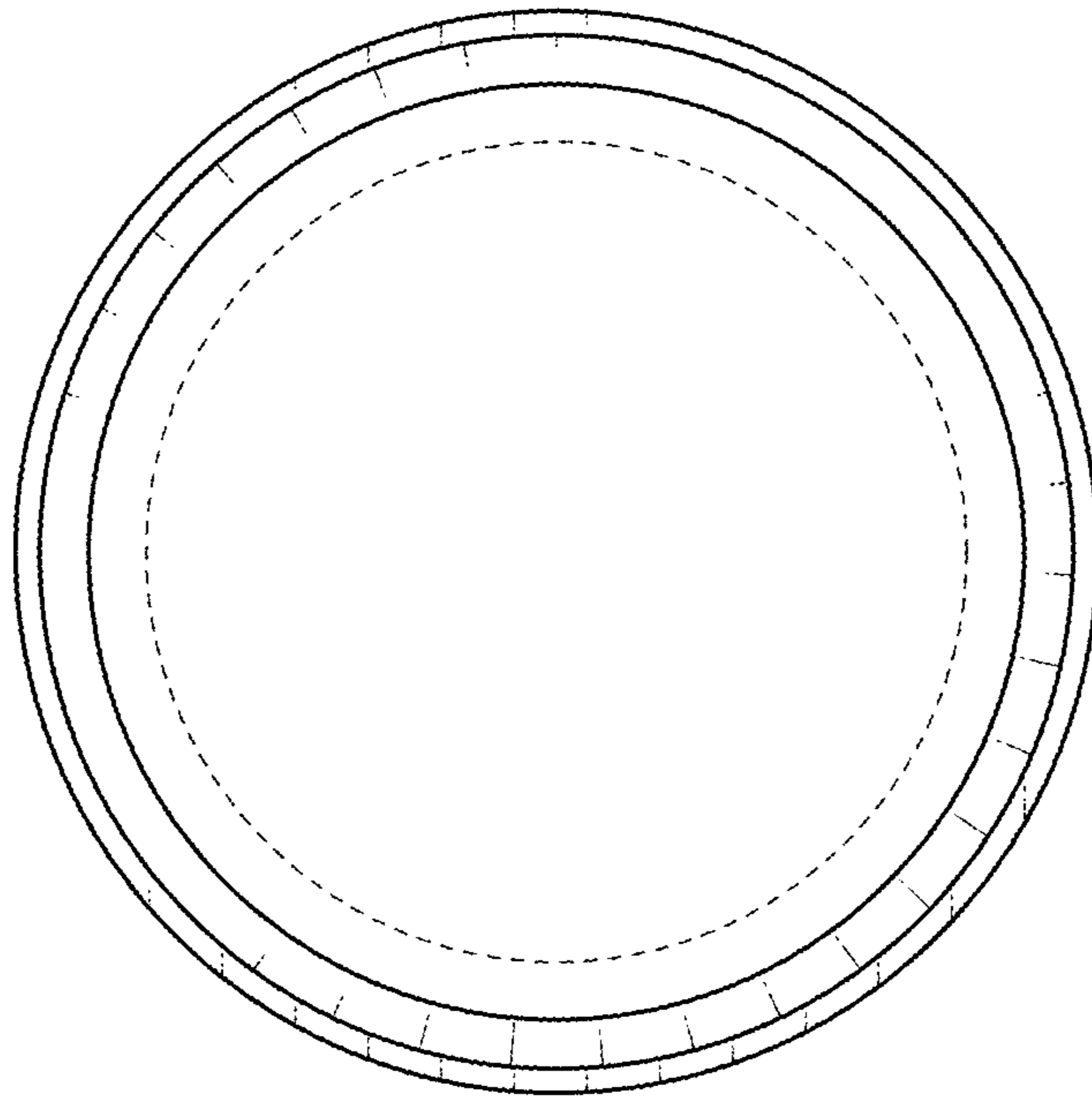


FIG. 2

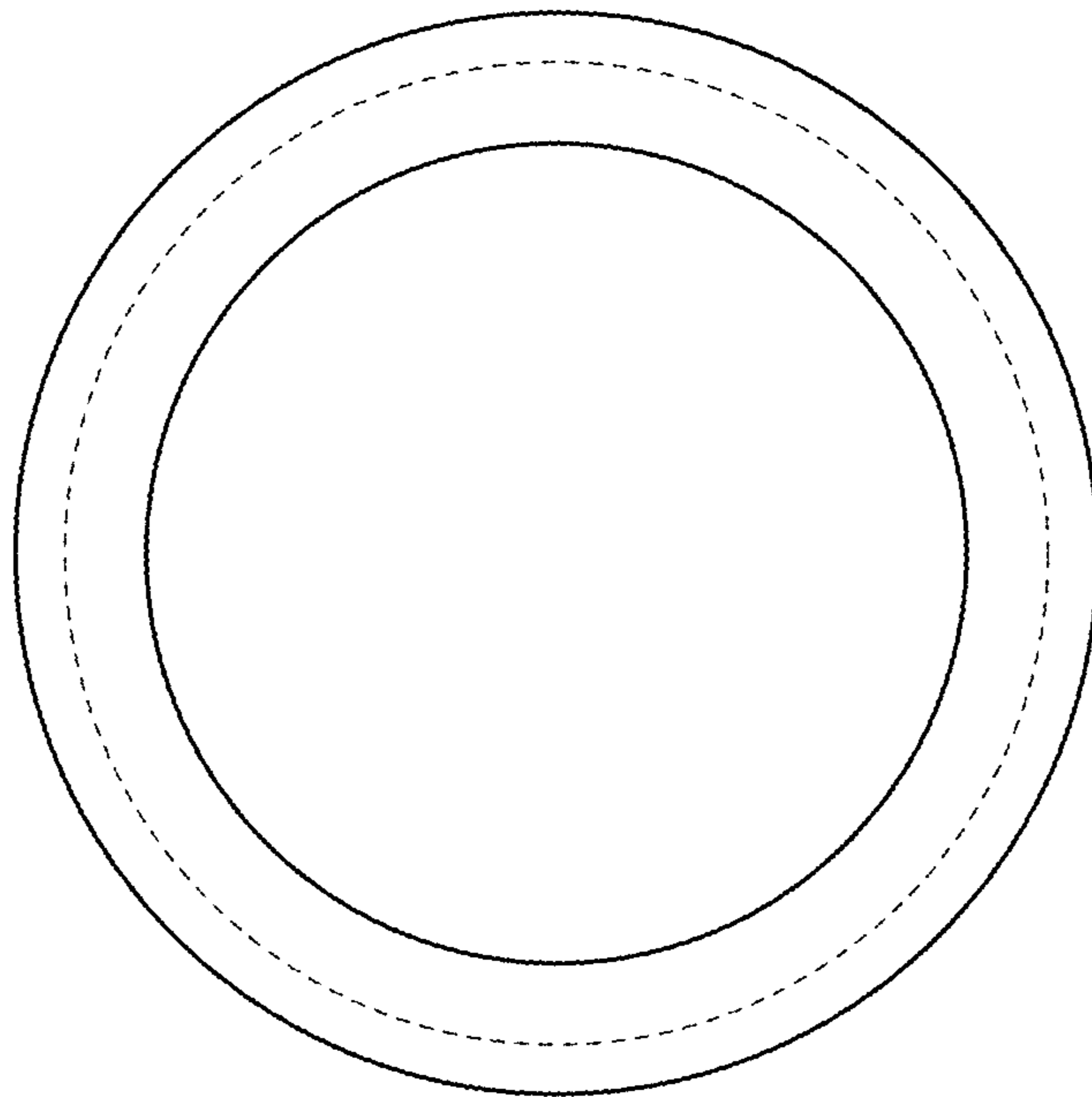


FIG. 3

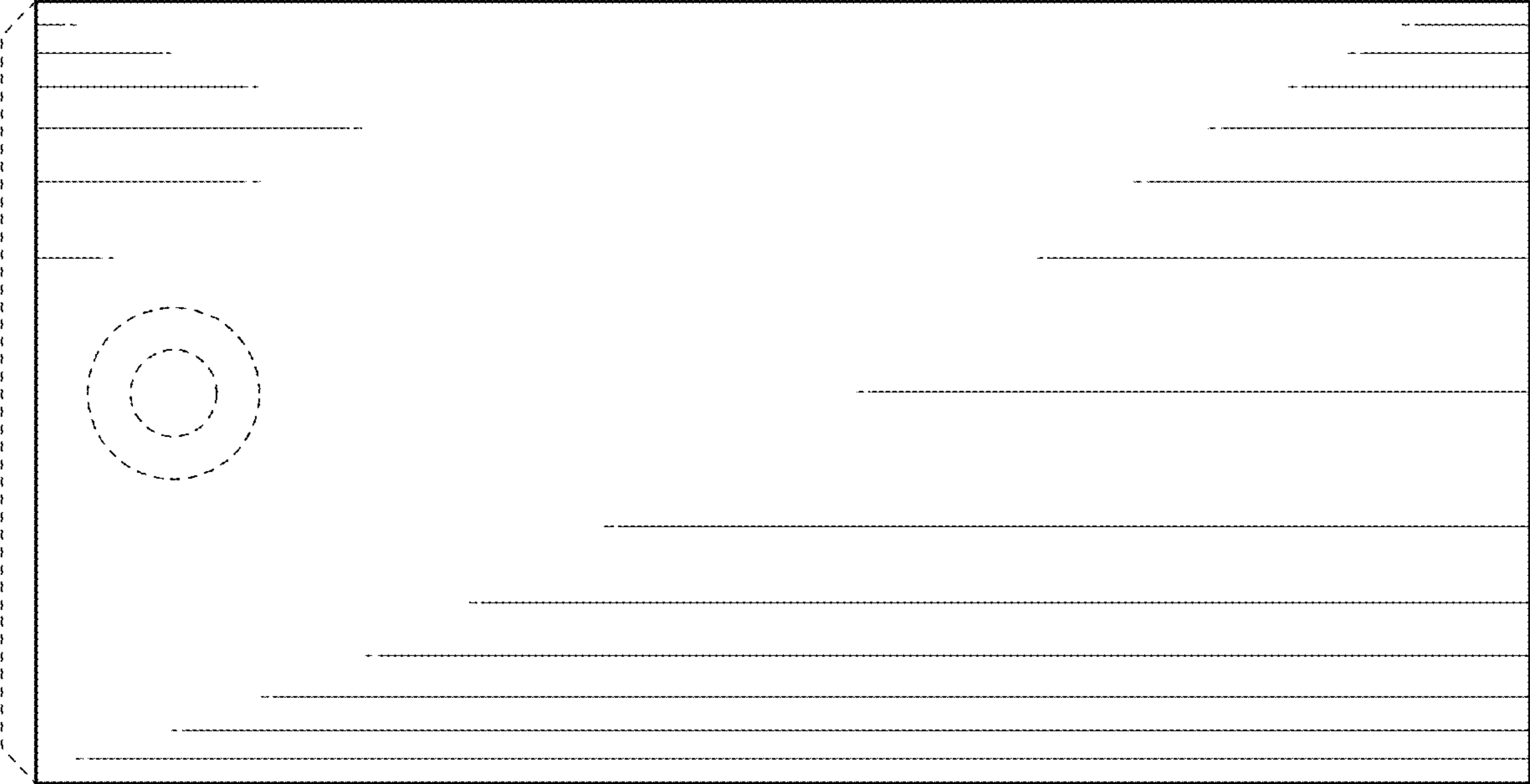


FIG. 4

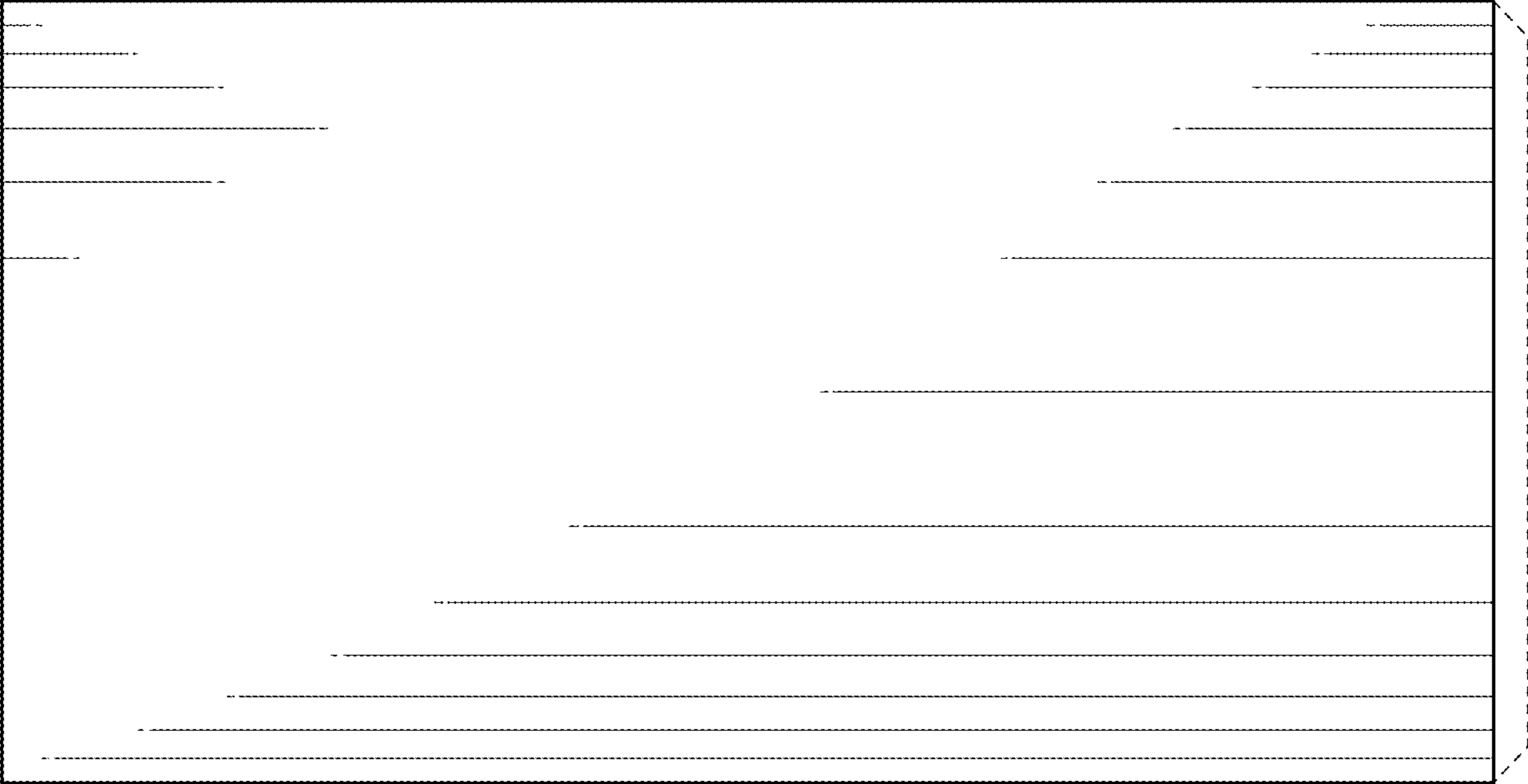


FIG. 5

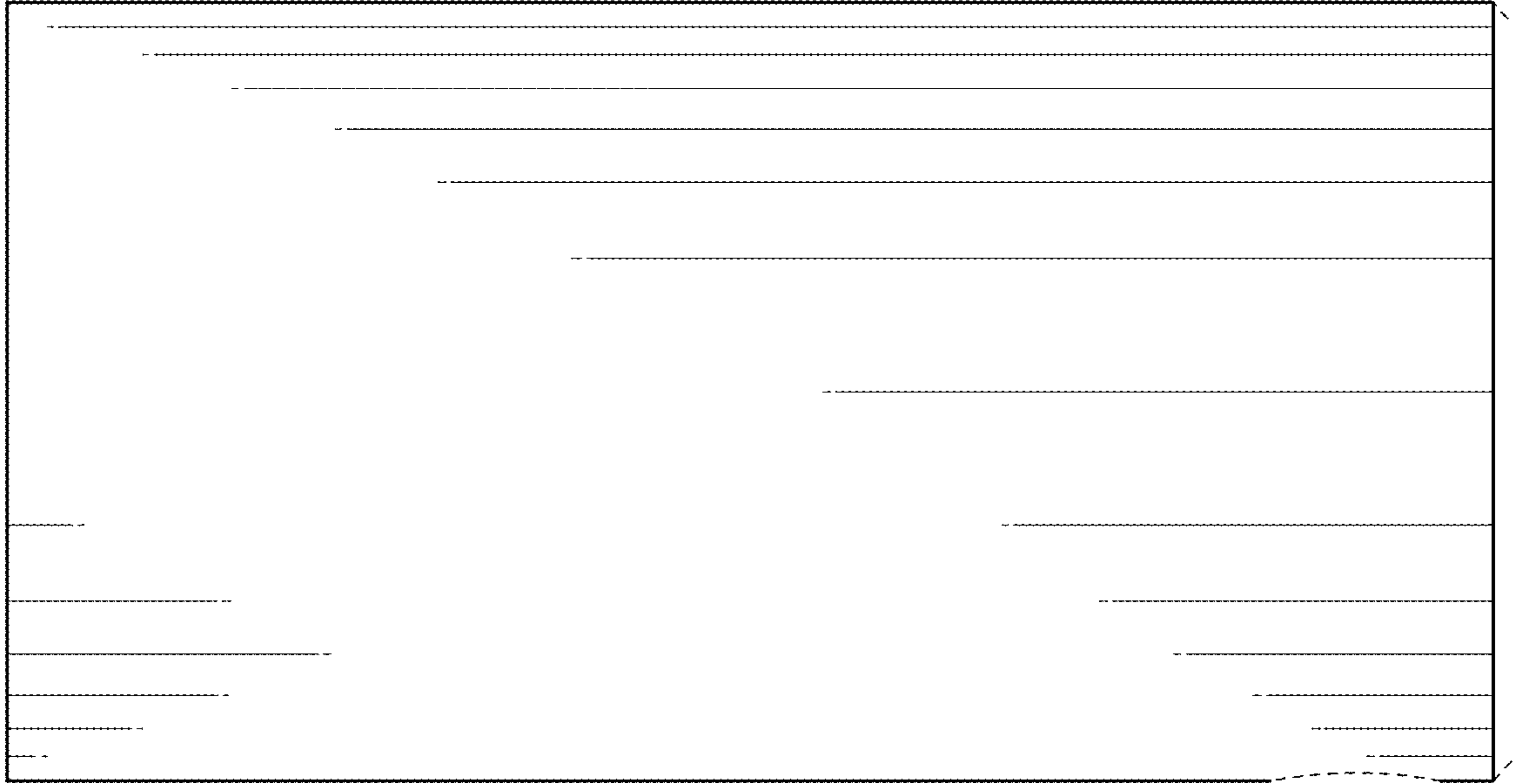


FIG. 7

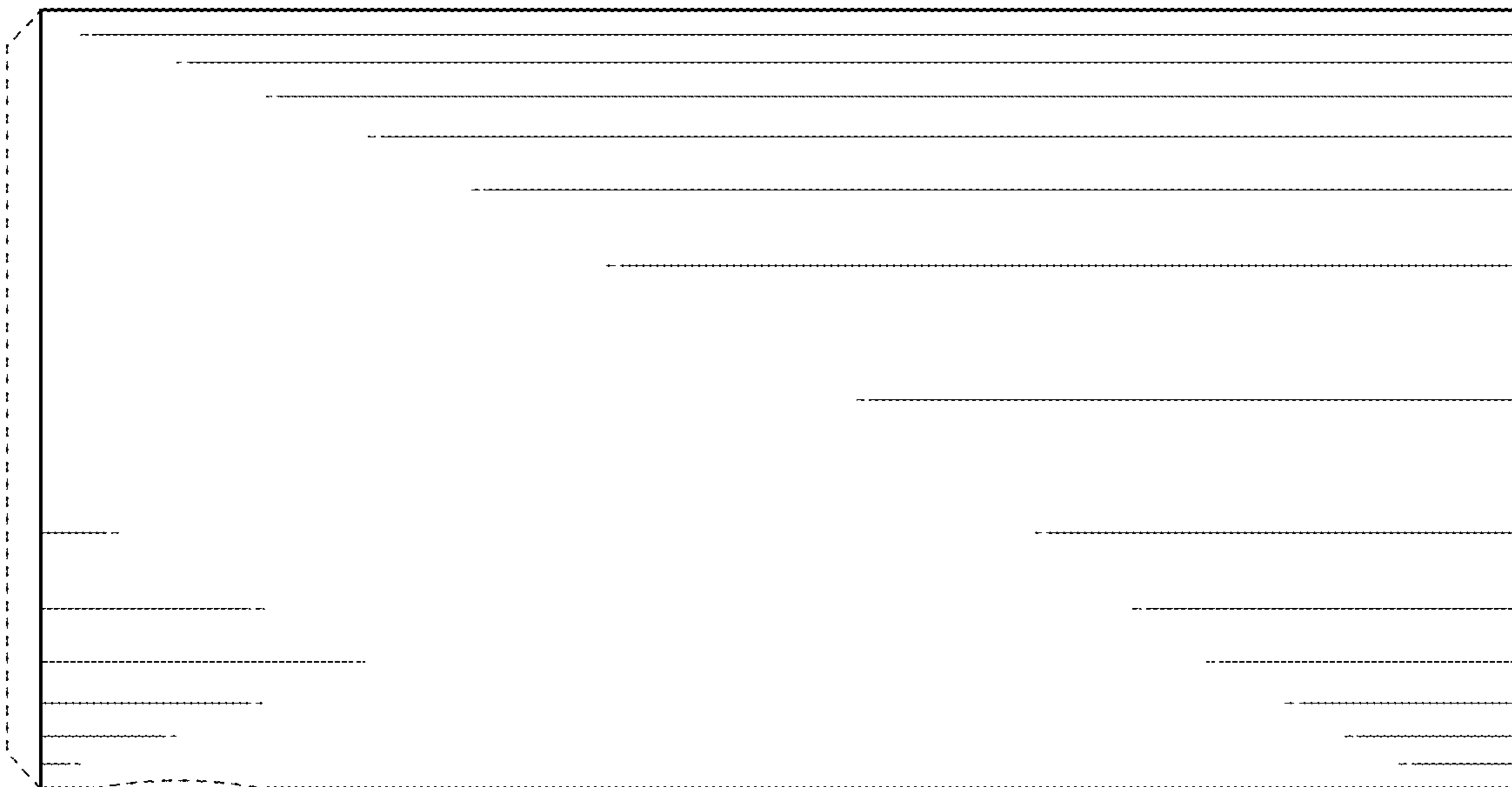


FIG. 6

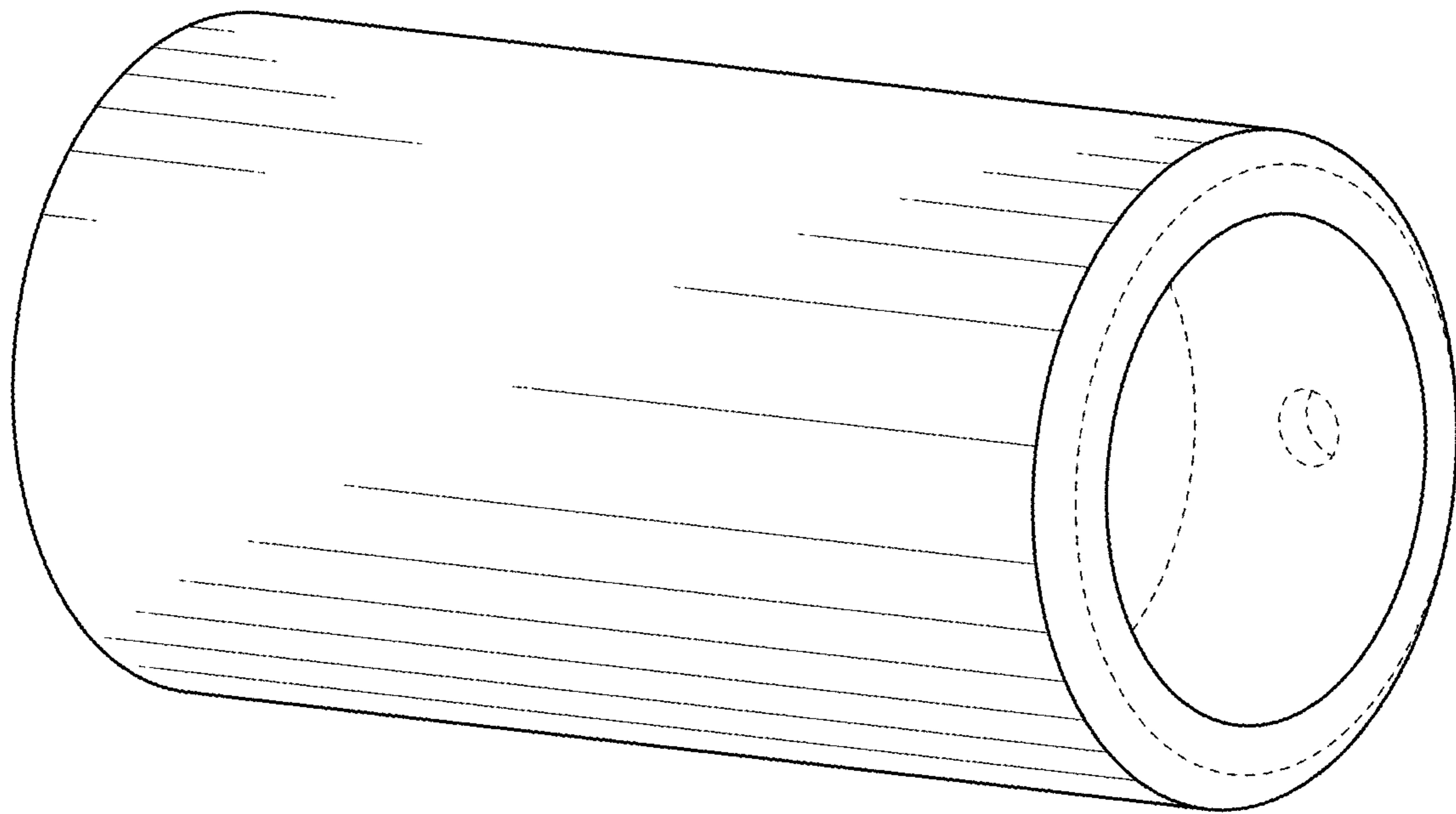


FIG. 8

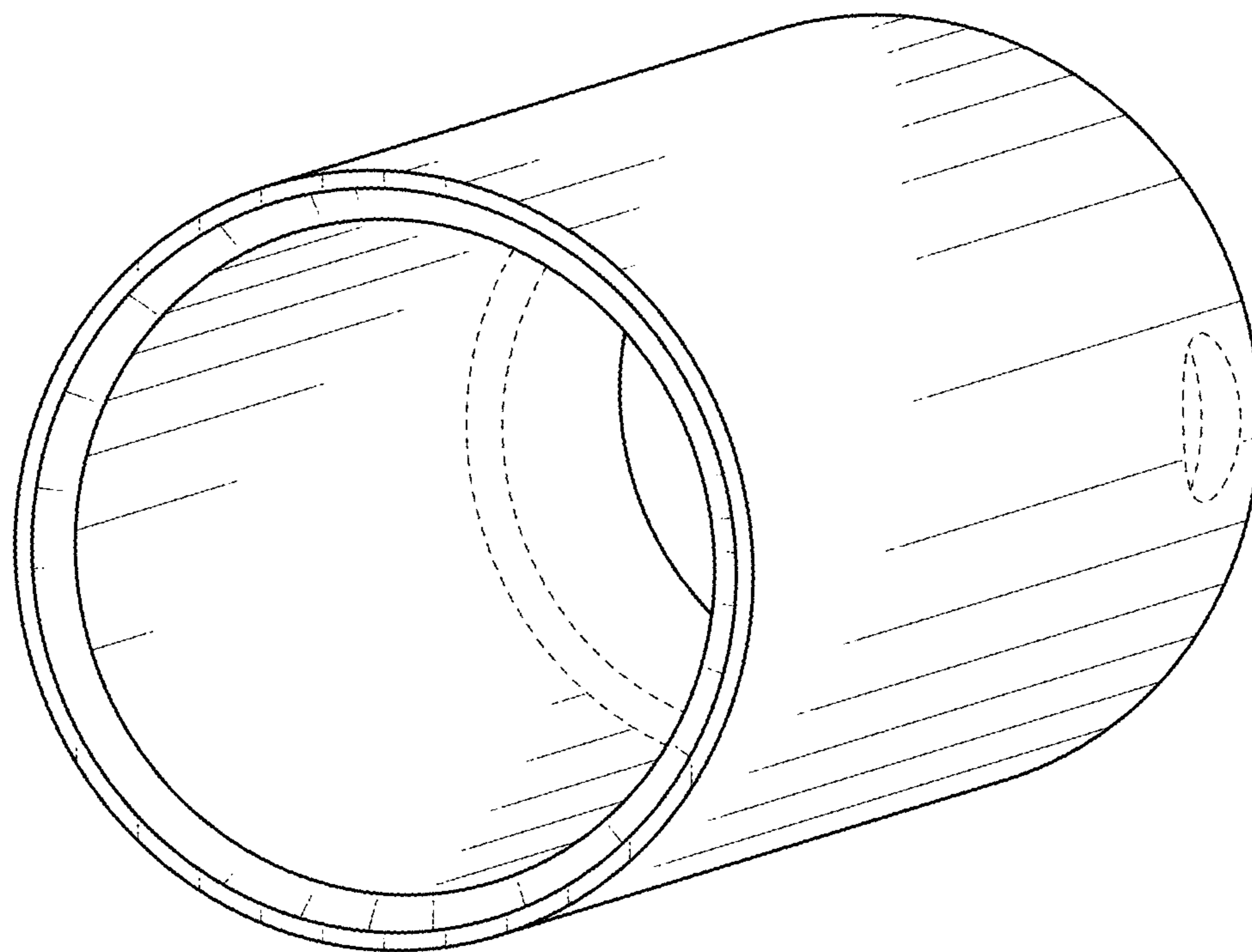


FIG. 9

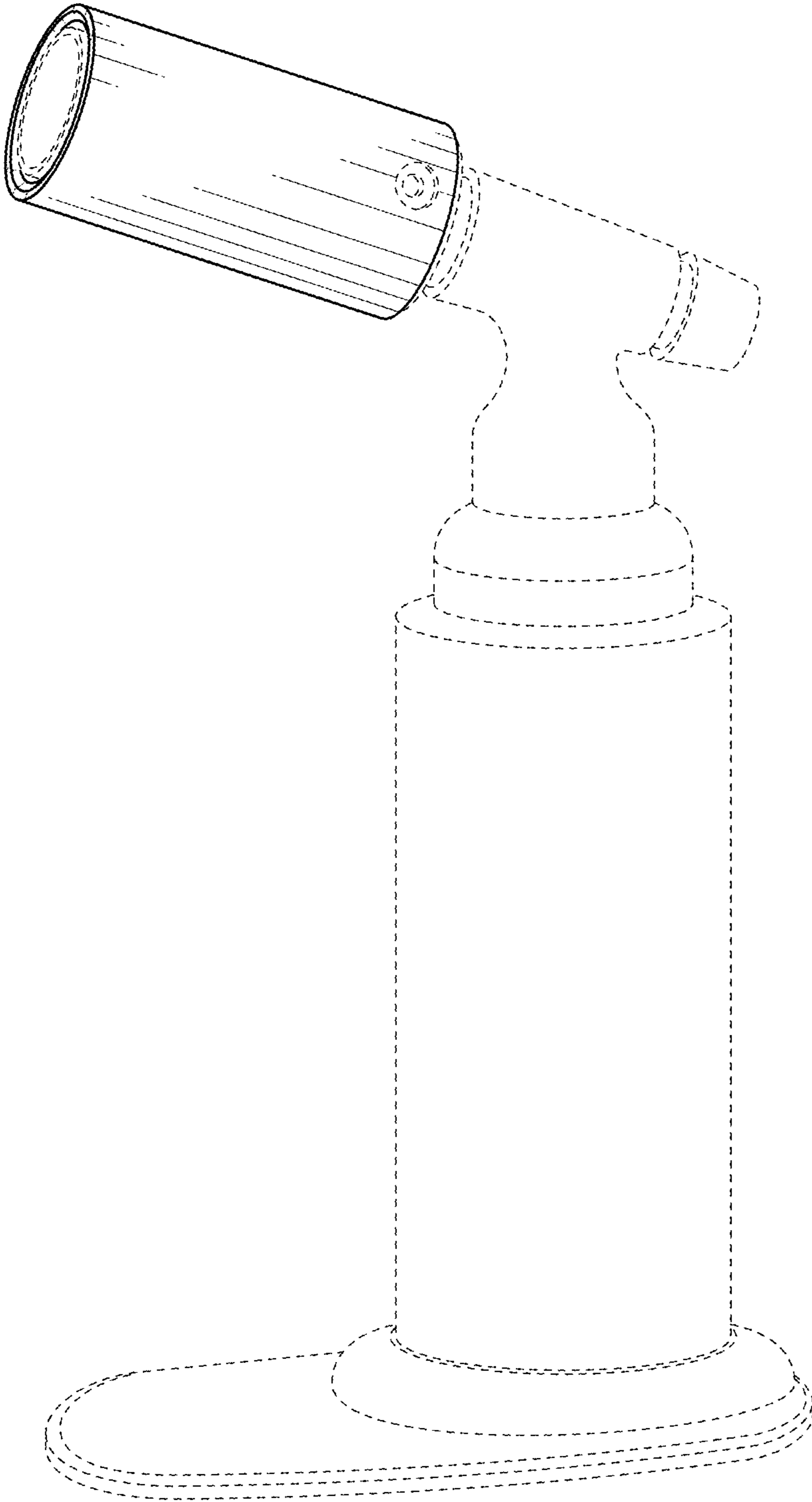


FIG. 10