



US00D962397S

(12) **United States Design Patent** (10) **Patent No.:** **US D962,397 S**
Spangler et al. (45) **Date of Patent:** **** Aug. 30, 2022**

(54) **FAUCET SPOUT**
(71) Applicant: **DELTA FAUCET COMPANY**,
Indianapolis, IN (US)
(72) Inventors: **Anthony G. Spangler**, Indianapolis, IN
(US); **Benjamin David Stoler**, Carmel,
IN (US)
(73) Assignee: **DELTA FAUCET COMPANY**,
Indianapolis, IN (US)
(**) Term: **15 Years**
(21) Appl. No.: **29/762,612**
(22) Filed: **Dec. 17, 2020**
(51) **LOC (13) Cl.** **23-01**
(52) **U.S. Cl.**
USPC **D23/255**
(58) **Field of Classification Search**
USPC D23/238, 239, 240, 241, 242, 243, 246,
D23/247, 249, 250, 251, 252, 253, 254,
D23/255, 256, 257
CPC E03C 1/00; E03C 1/01; E03C 1/02; E03C
1/023; E03C 1/04; E03C 1/0401; E03C
1/0403; E03C 1/0404; E03C 1/0412;
E03C 1/05; E03C 1/042; F16K 31/60
See application file for complete search history.

D816,806 S * 5/2018 Potter D23/255
D820,415 S * 6/2018 McKeone D23/255
D839,394 S * 1/2019 Mai D23/255
D856,492 S * 8/2019 Spangler D23/257
D857,176 S * 8/2019 Spangler D23/255
D890,303 S * 7/2020 Potter D23/238
D895,073 S * 9/2020 Johnson D23/255
D896,349 S * 9/2020 Kuang D23/242
D929,546 S * 8/2021 Weber D23/257
D940,276 S * 1/2022 Lazarini D23/238

FOREIGN PATENT DOCUMENTS

CN 202030145582.9 * 4/2020
CN 202030424076.3 * 7/2020
CN 202030479950.3 * 8/2020
NZ 423035 * 5/2017

* cited by examiner

Primary Examiner — Samantha Wood

(74) *Attorney, Agent, or Firm* — Nirav D. Parikh; Jeffrey L. Doyle

(57) **CLAIM**

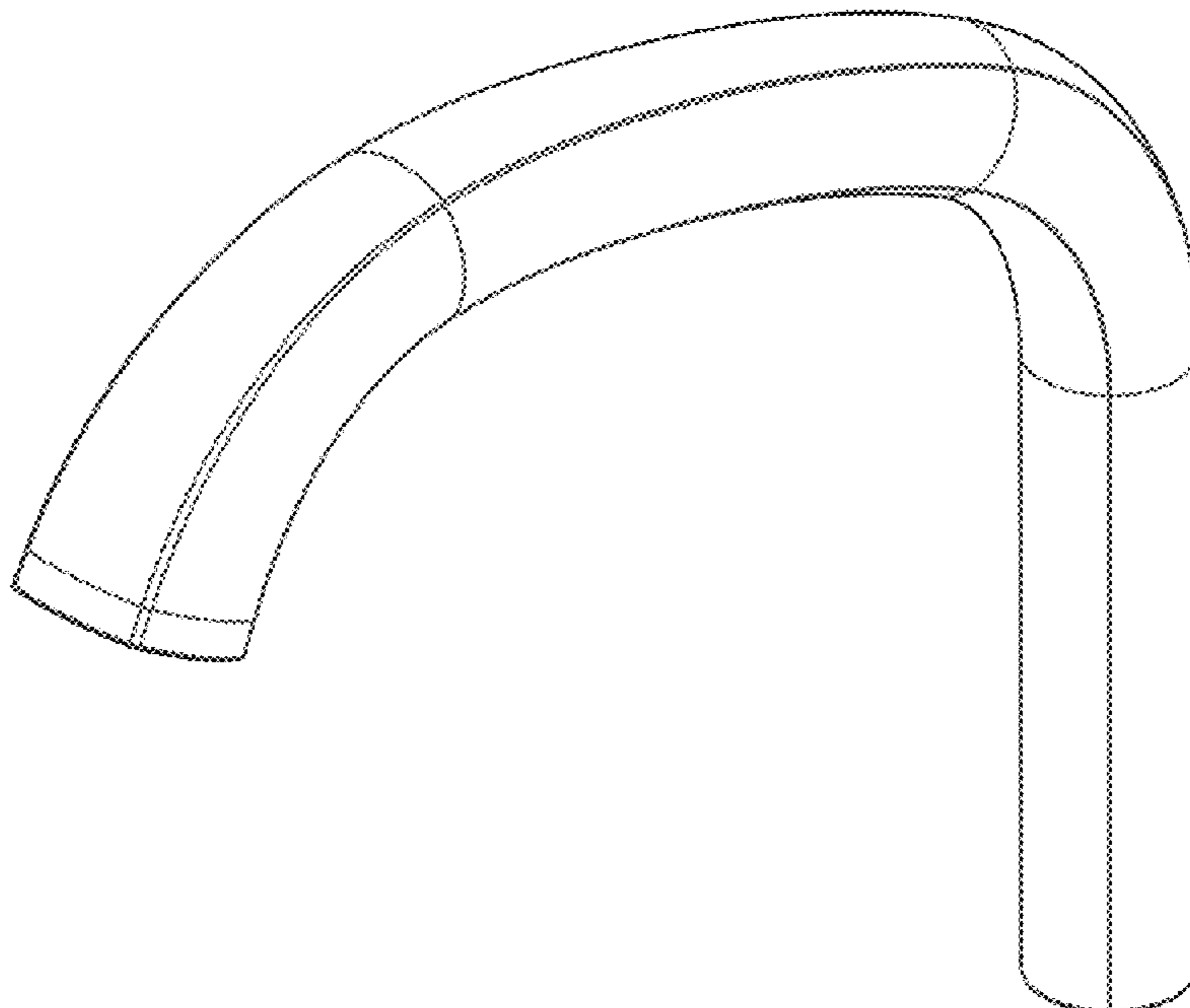
The ornamental design for a faucet spout, as shown and described.

DESCRIPTION

FIG. 1 is a front perspective view of a faucet spout showing our new design;
FIG. 2 is a rear perspective view thereof;
FIG. 3 is a front elevational view thereof;
FIG. 4 is a left side view thereof;
FIG. 5 is a rear view thereof;
FIG. 6 is a right side view thereof;
FIG. 7 is a top plan view thereof; and,
FIG. 8 is a bottom view thereof.

1 Claim, 4 Drawing Sheets

(56) **References Cited**
U.S. PATENT DOCUMENTS
D441,840 S * 5/2001 Meylan D23/243
D482,102 S * 11/2003 Wettstein D23/238
D553,714 S * 10/2007 Demmer D7/398
D635,220 S * 3/2011 Rubin D23/238
D652,899 S * 1/2012 Citterio D23/255



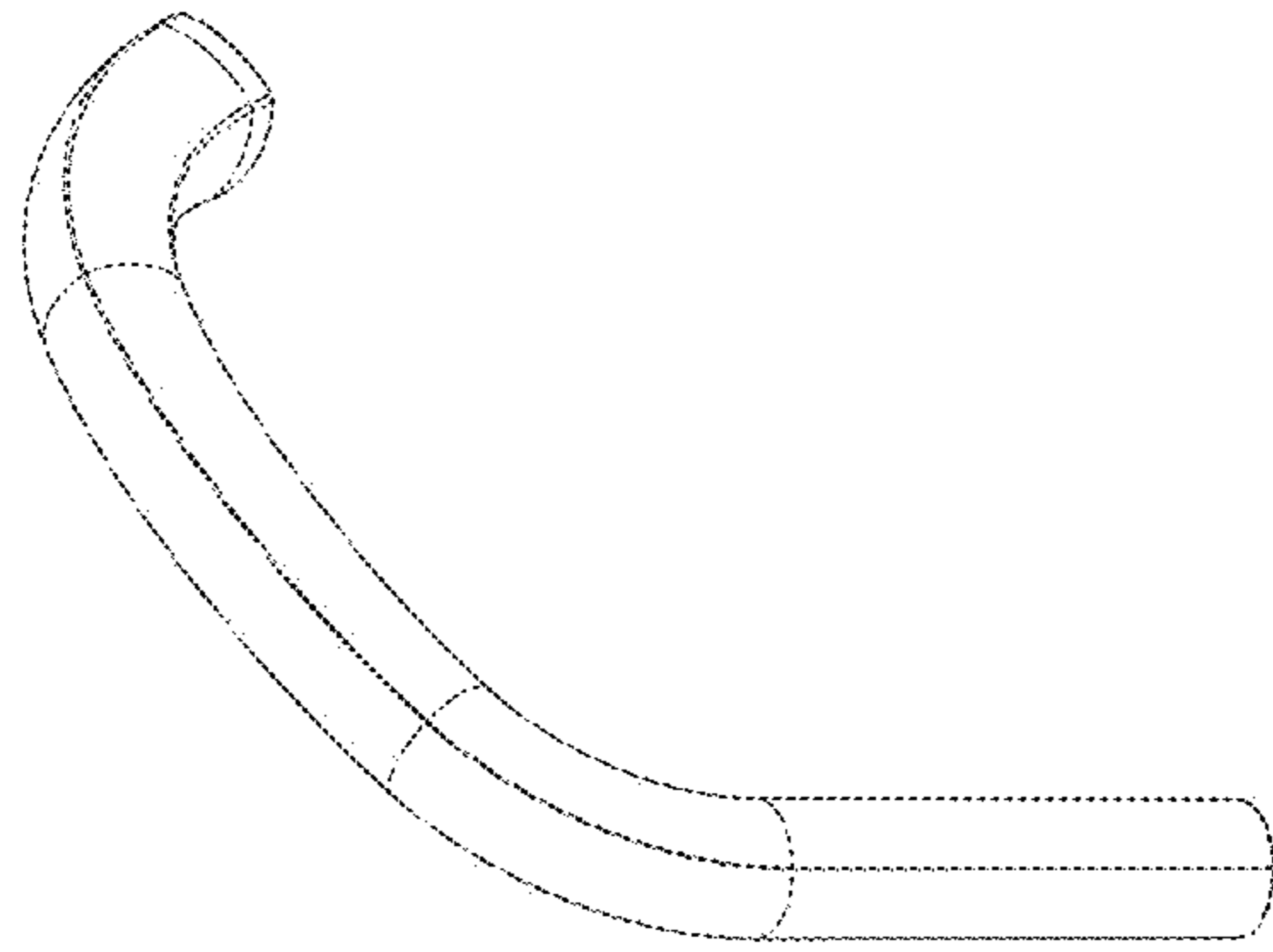


FIG - 2

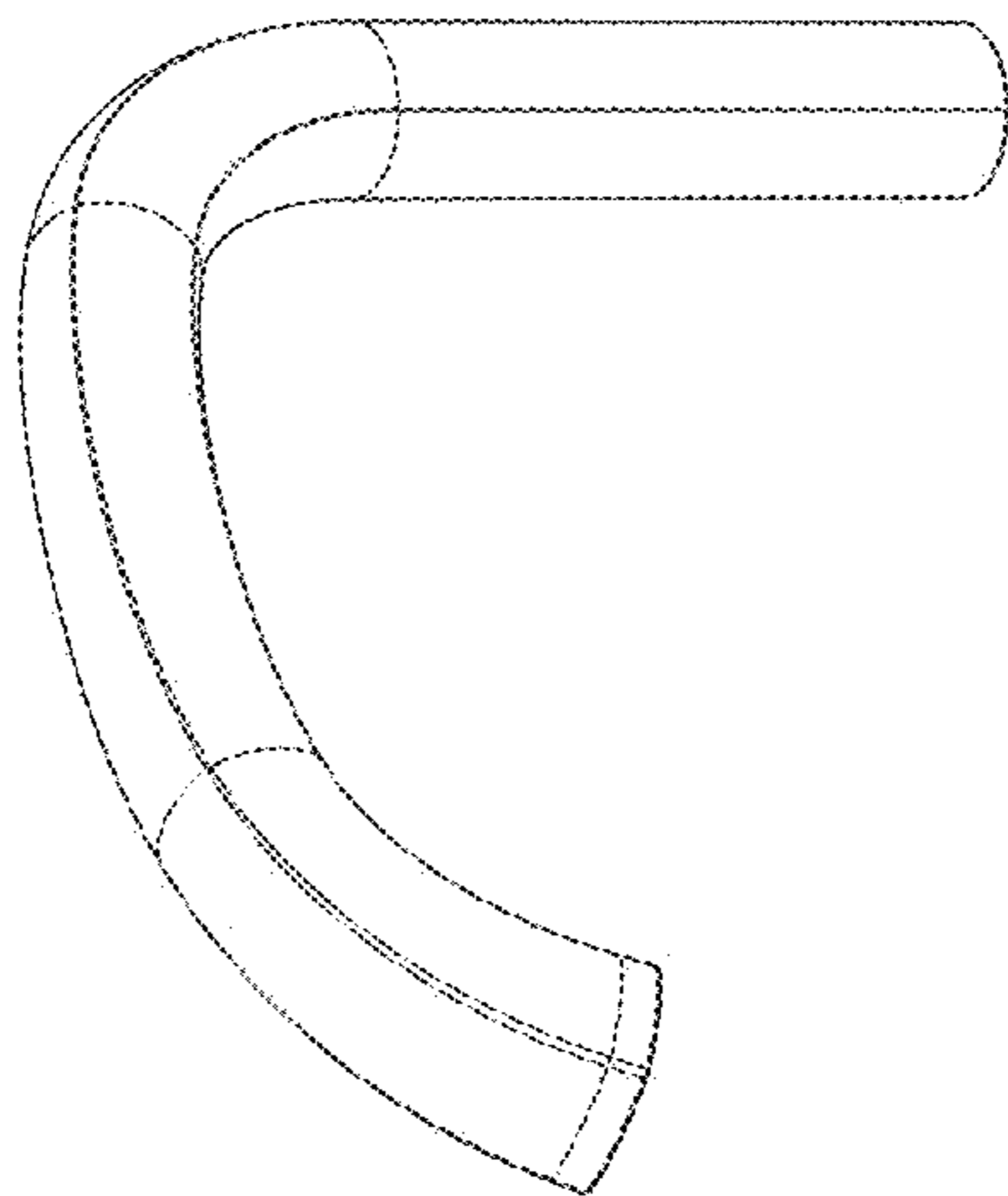


FIG - 1

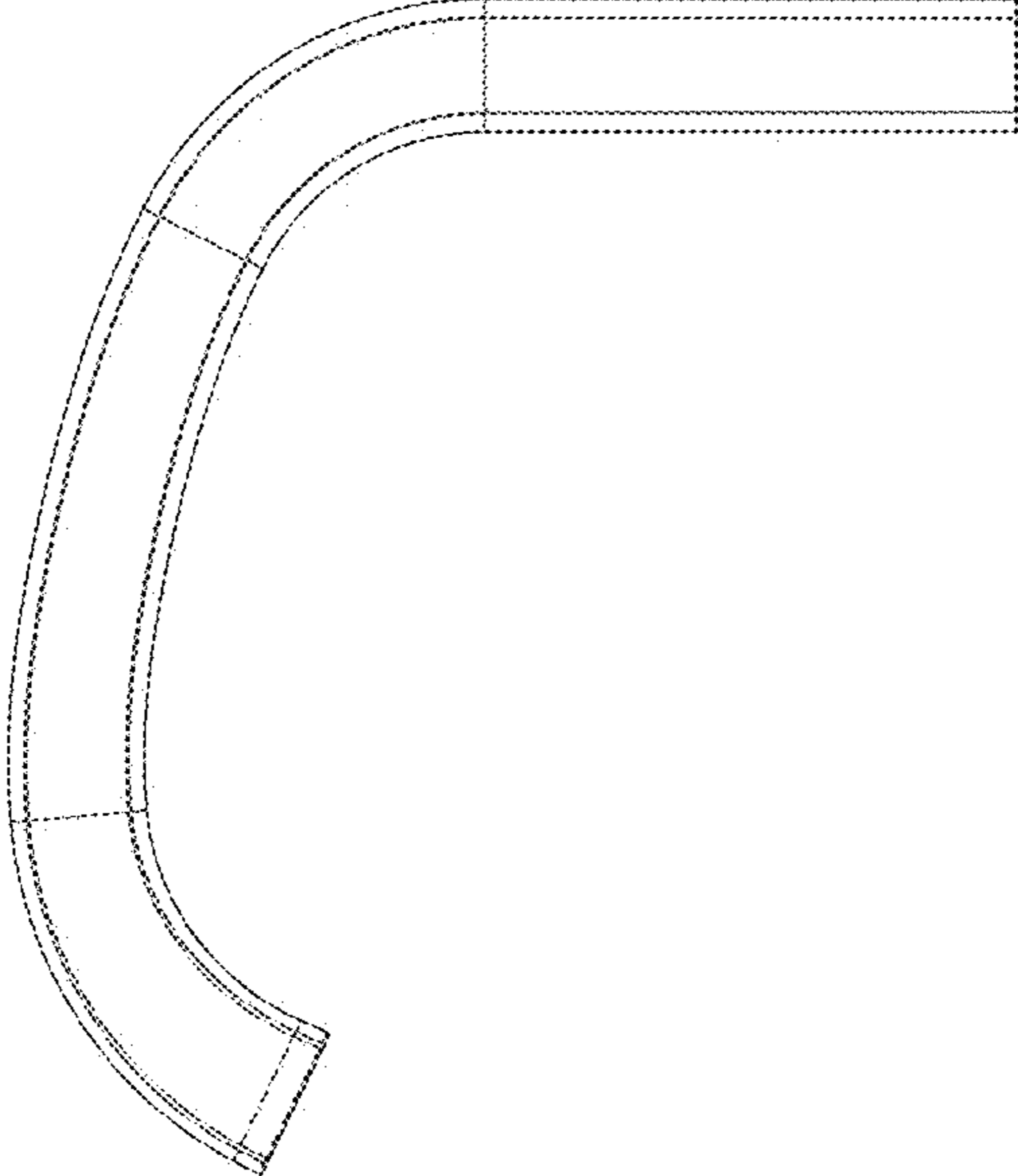


FIG - 4

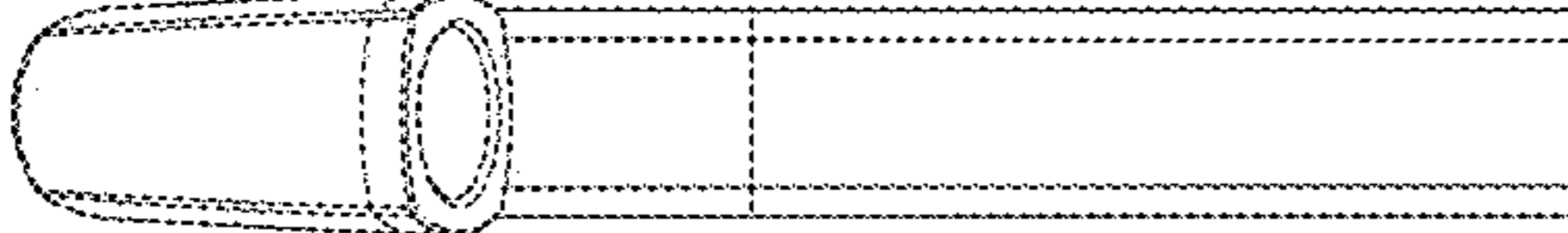


FIG - 3

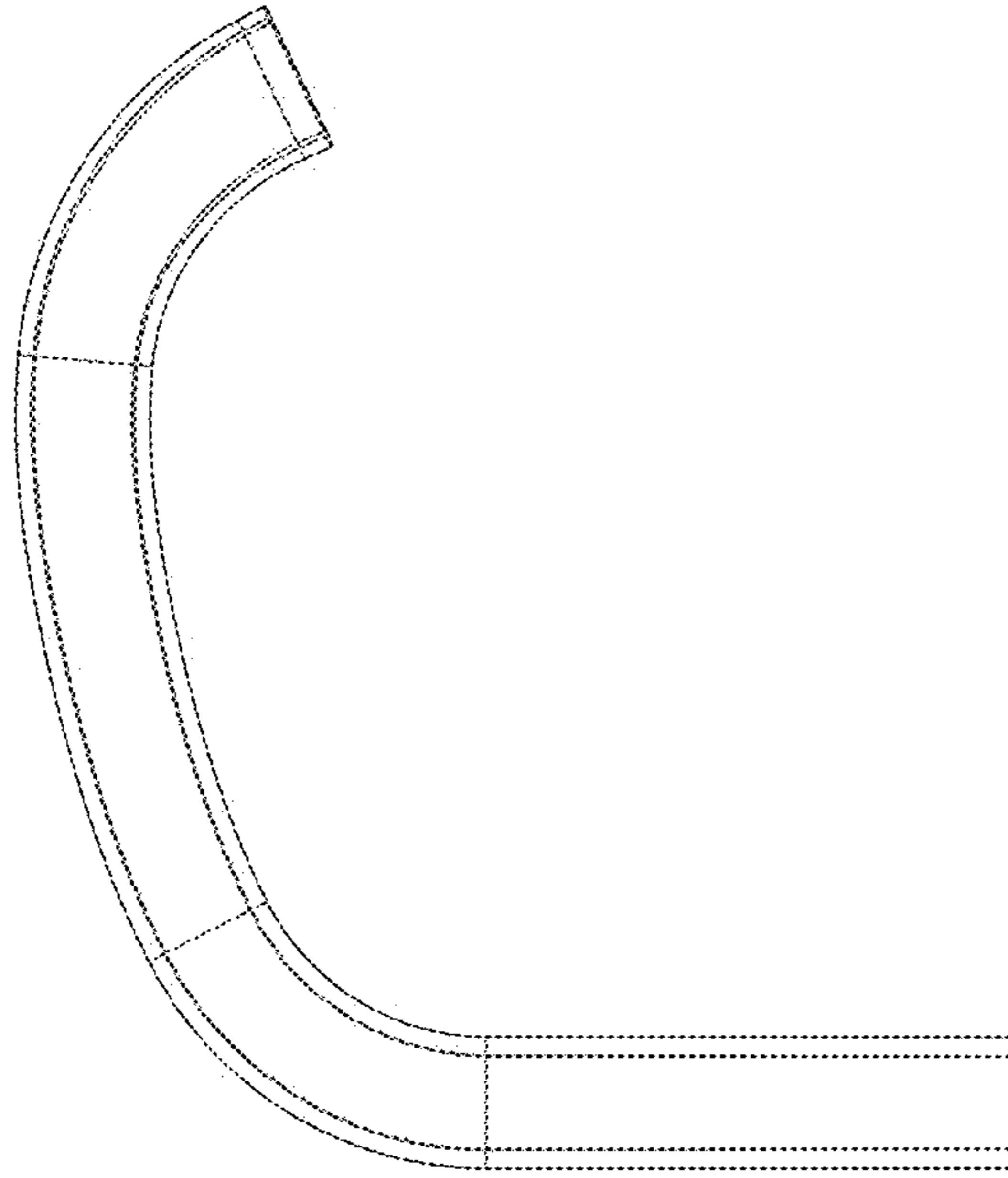


FIG - 6

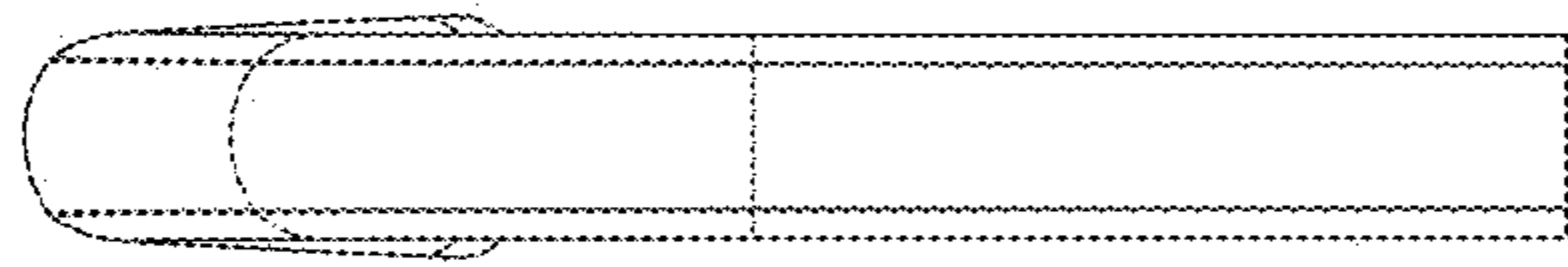


FIG - 5

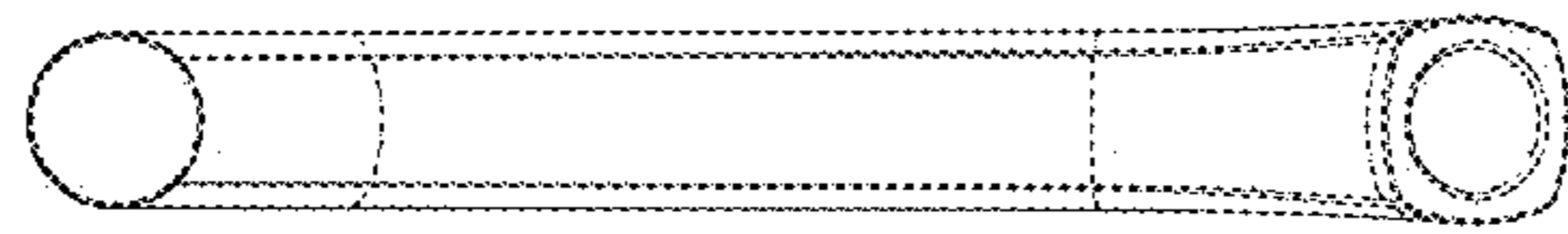


FIG - 8

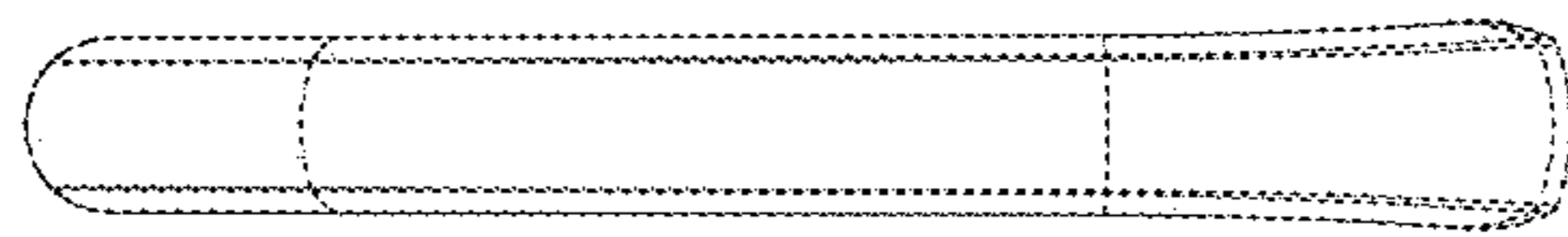


FIG - 7