



US00D962396S

(12) **United States Design Patent**
Chen

(10) **Patent No.:** **US D962,396 S**

(45) **Date of Patent:** **** Aug. 30, 2022**

(54) **FAUCET HANDLE**

(71) Applicant: **Wenzhou Yutong Technology Co., Ltd.**, Zhejiang (CN)

(72) Inventor: **Hui Chen**, Ruian (CN)

(**) Term: **15 Years**

(21) Appl. No.: **29/765,038**

(22) Filed: **Jan. 5, 2021**

(51) **LOC (13) Cl.** **23-01**

(52) **U.S. Cl.**
USPC **D23/252**

(58) **Field of Classification Search**
USPC D23/238–243, 249–250, 252;
D8/307–308

See application file for complete search history.

(56) **References Cited**

U.S. PATENT DOCUMENTS

D596,713 S * 7/2009 Haug D23/252
D922,536 S * 6/2021 Ao D23/252
D926,017 S * 7/2021 Xinrui D8/308
D930,795 S * 9/2021 Guo D23/252

D935,000 S * 11/2021 Zhen D23/250
D940,832 S * 1/2022 Qi D23/252
D941,428 S * 1/2022 Lazarini D23/250
D941,432 S * 1/2022 Elser D23/252

* cited by examiner

Primary Examiner — Robert A Delehanty

(74) *Attorney, Agent, or Firm* — Xiaofang Zhong; Law Office of Xiaofang Zhong, PLLC

(57) **CLAIM**

The ornamental design for a faucet handle, as shown and described.

DESCRIPTION

FIG. 1 is a perspective view of a faucet handle showing my new design;

FIG. 2 is a front elevational view thereof;

FIG. 3 is a back elevational view thereof;

FIG. 4 is a right-side elevational view thereof;

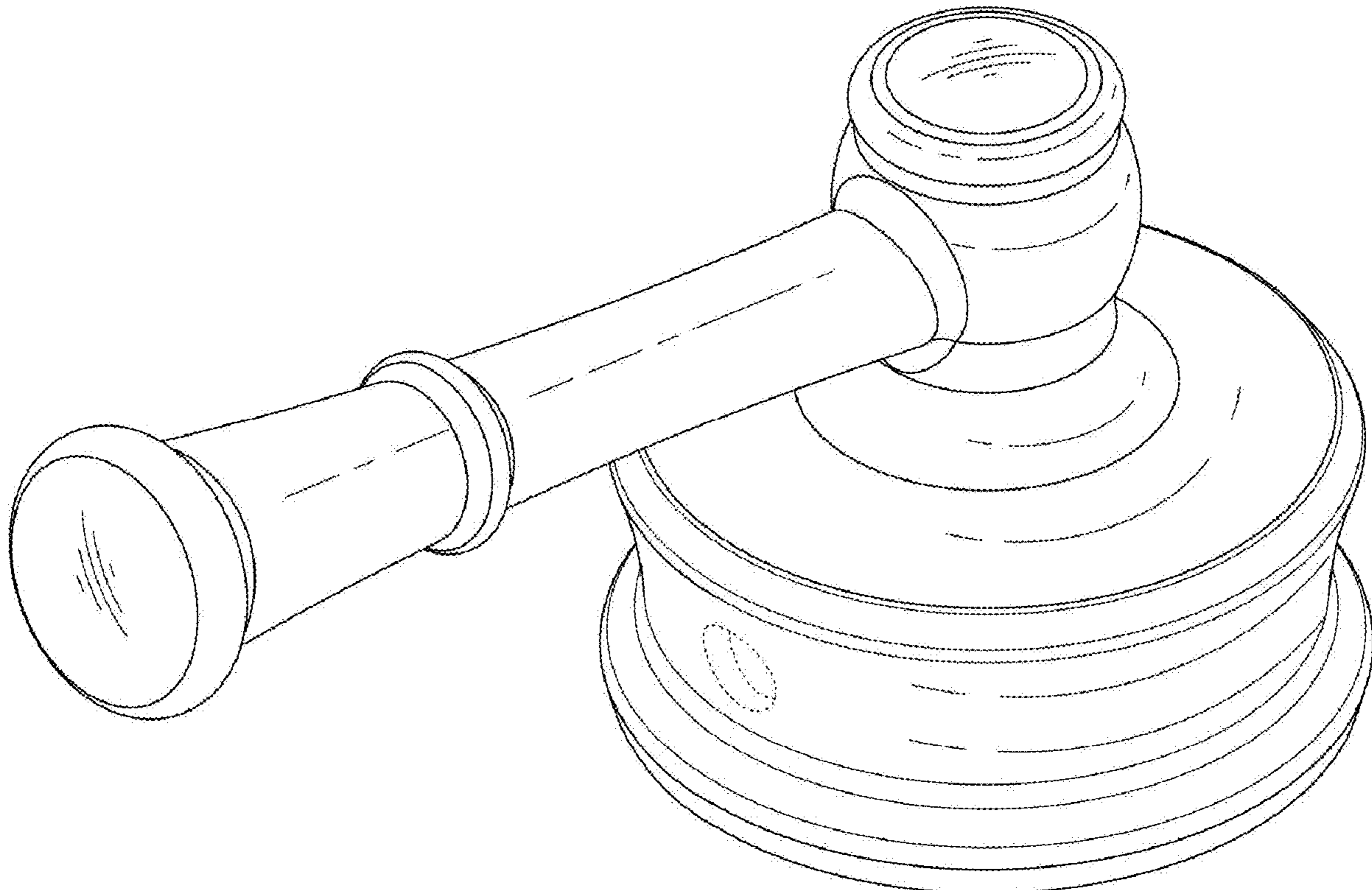
FIG. 5 is a left-side elevational view thereof;

FIG. 6 is a top plan view thereof; and,

FIG. 7 is a bottom plan view thereof.

The broken lines in the drawings depict part of the faucet handle that form no part of the claimed design.

1 Claim, 5 Drawing Sheets



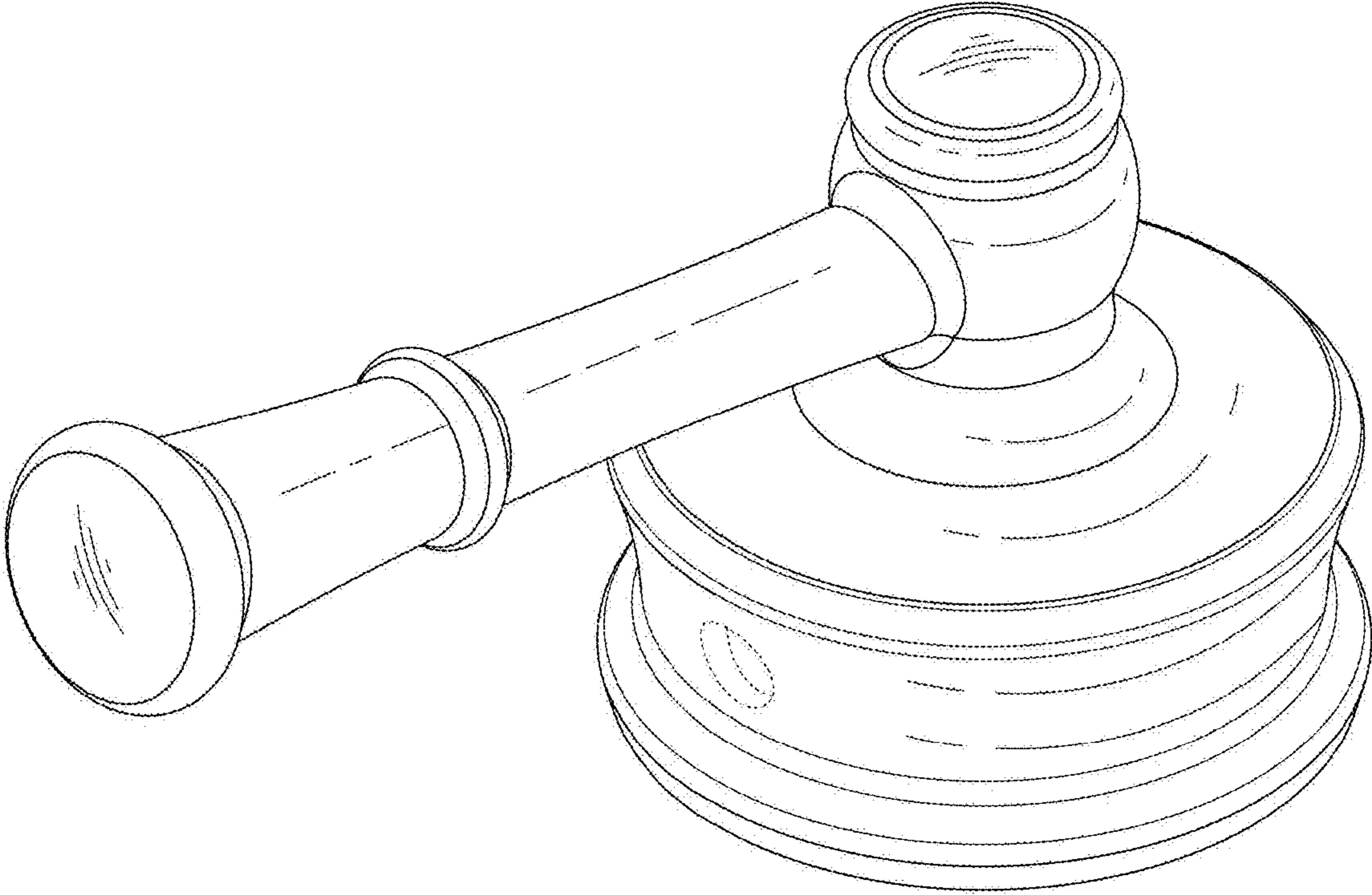


FIG. 1

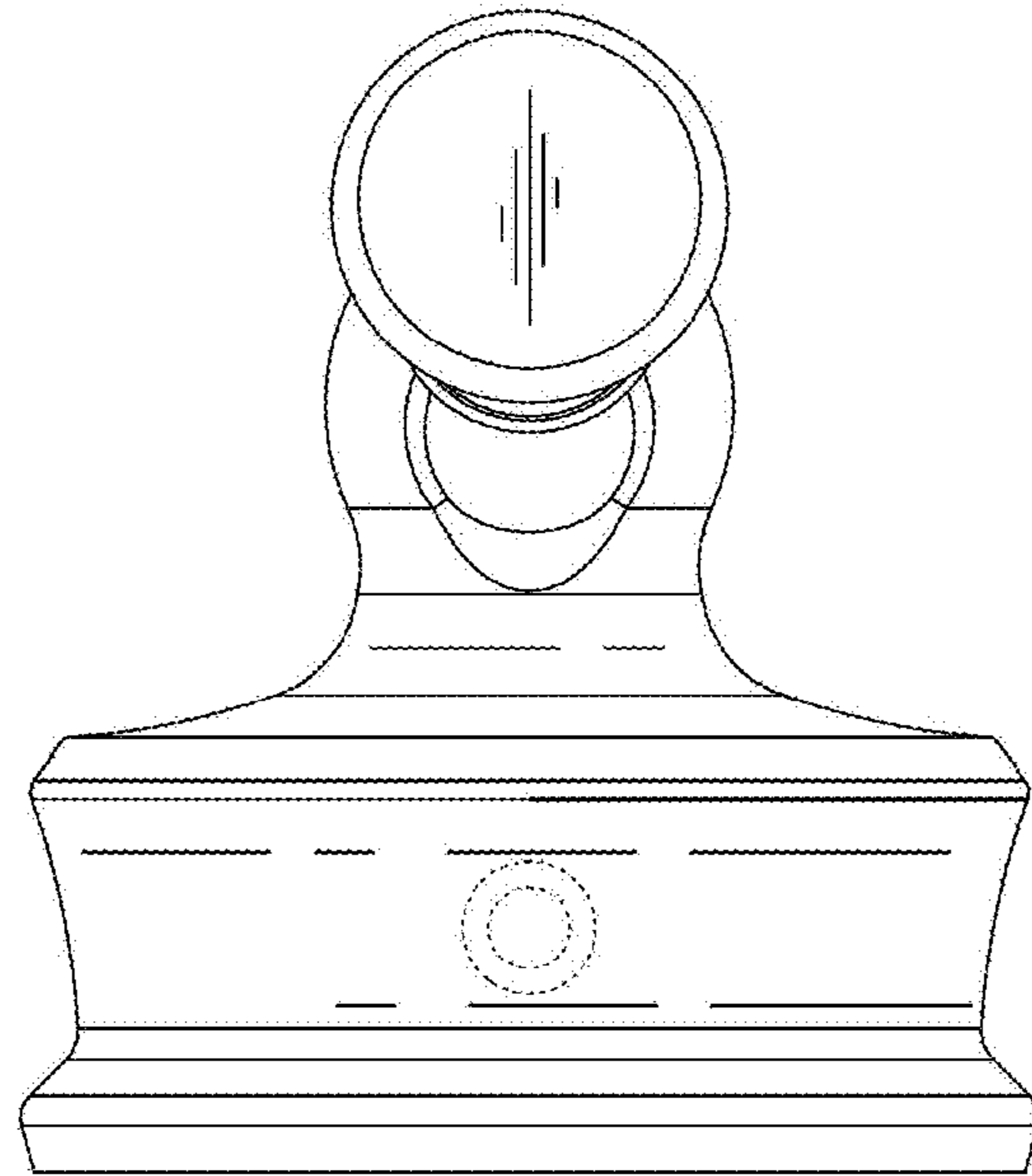


FIG. 2

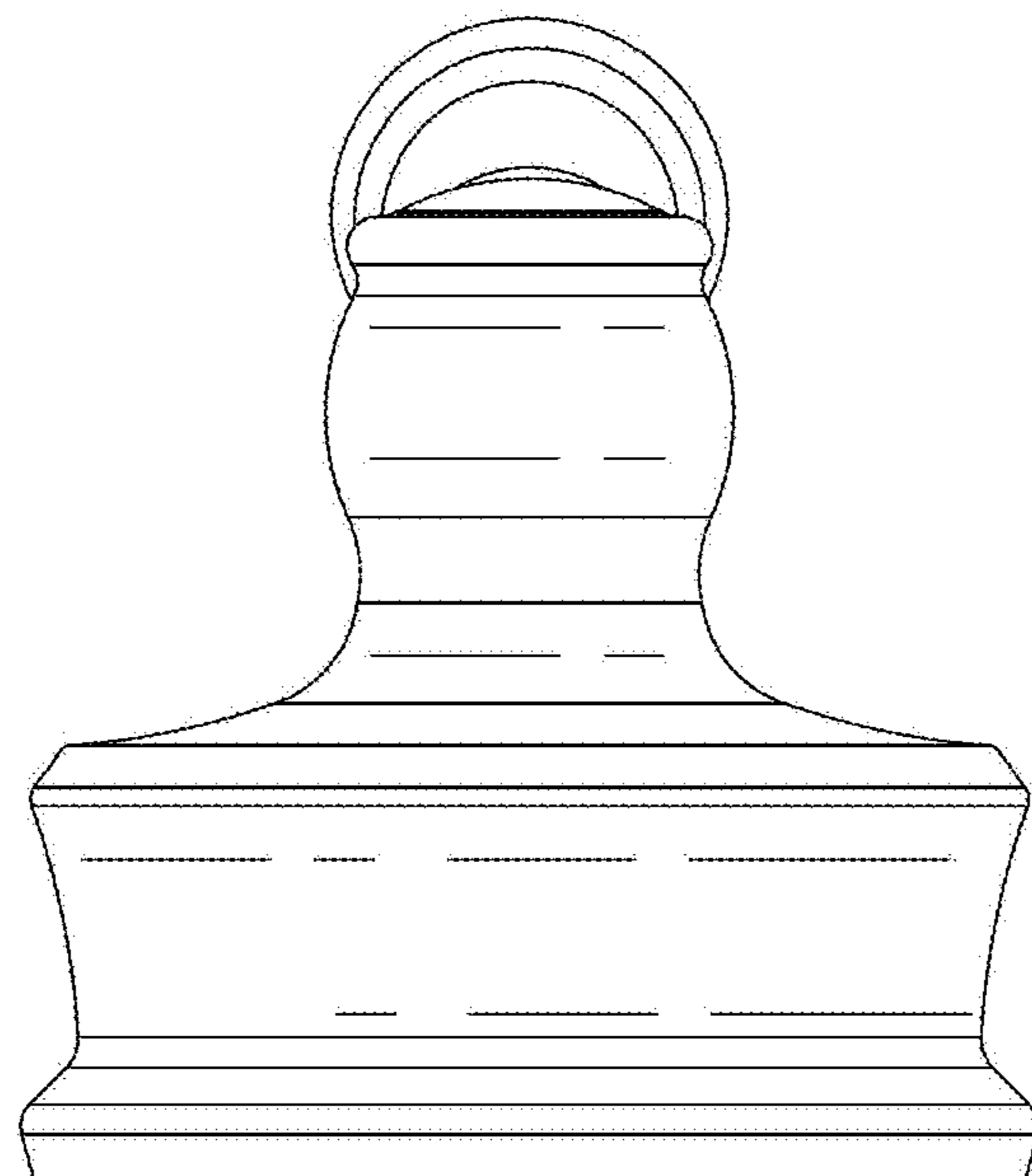


FIG. 3

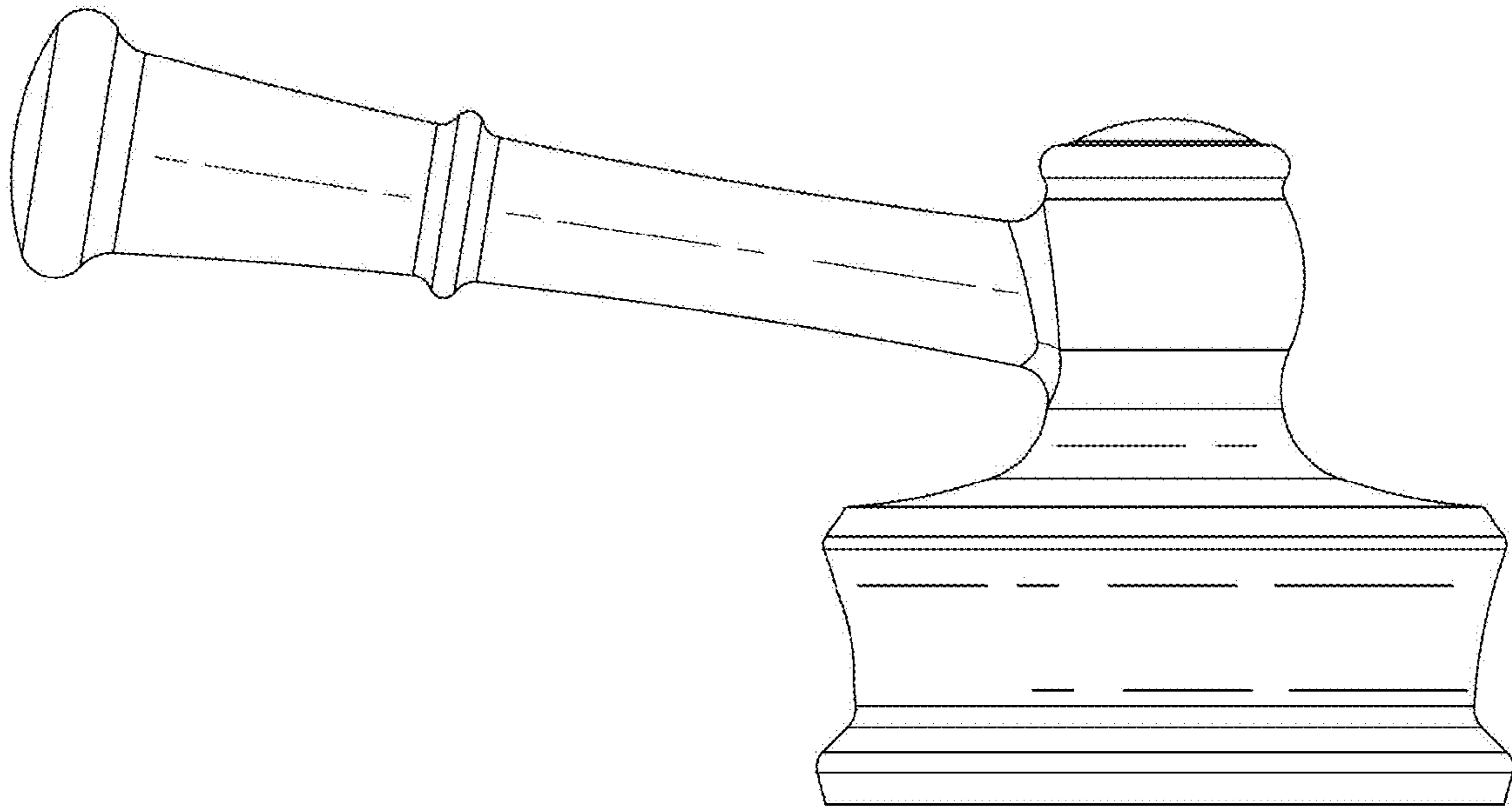


FIG. 4

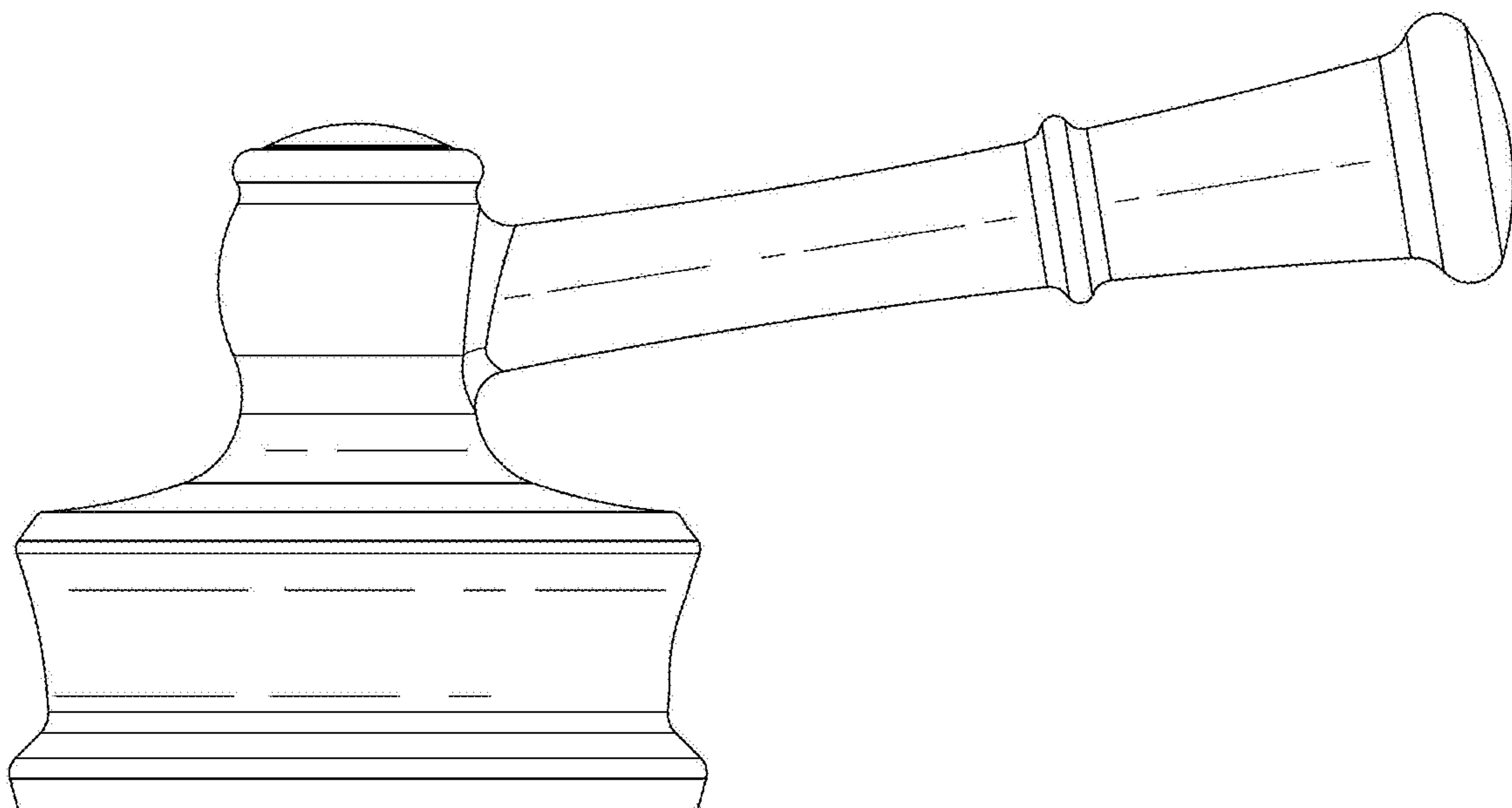


FIG. 5

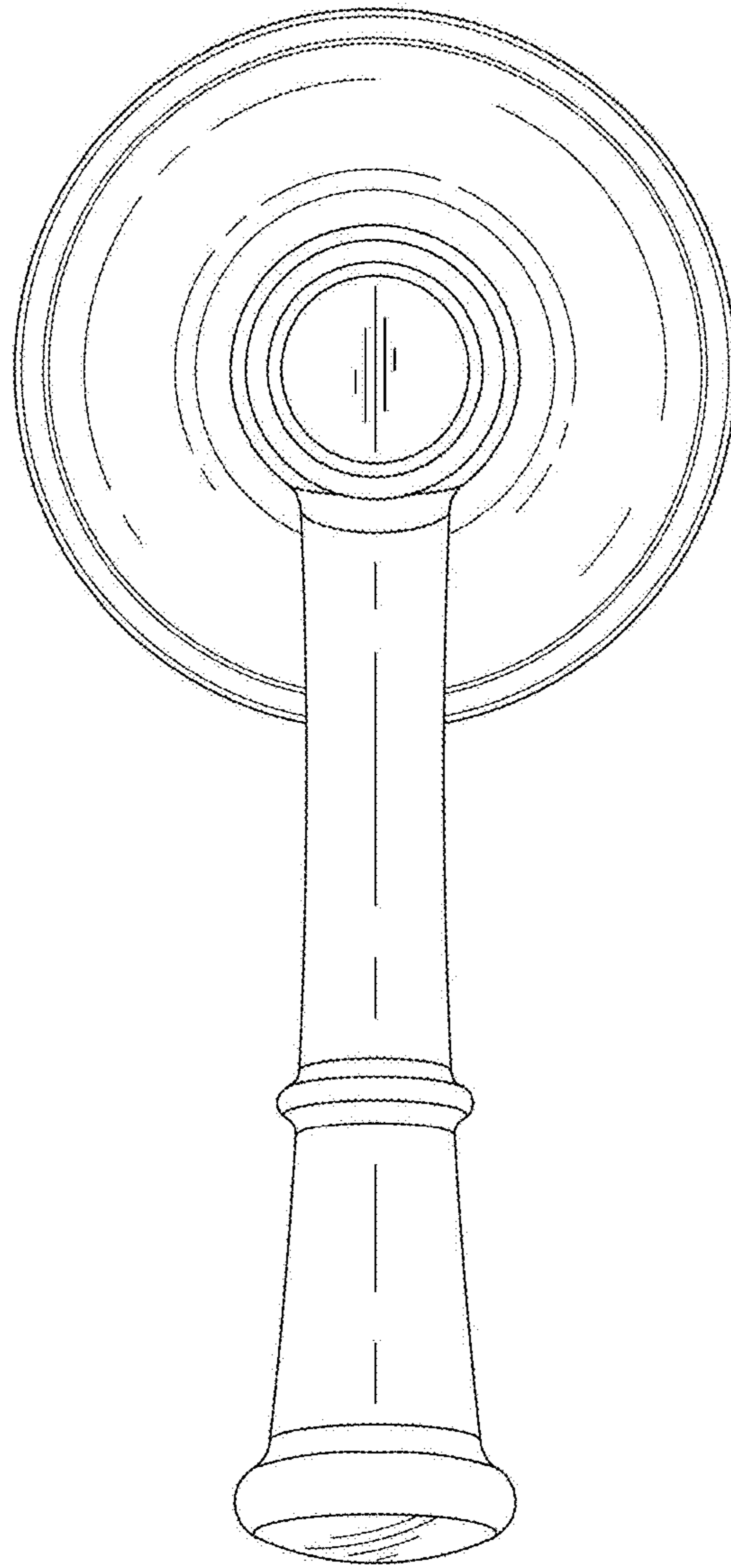


FIG. 6

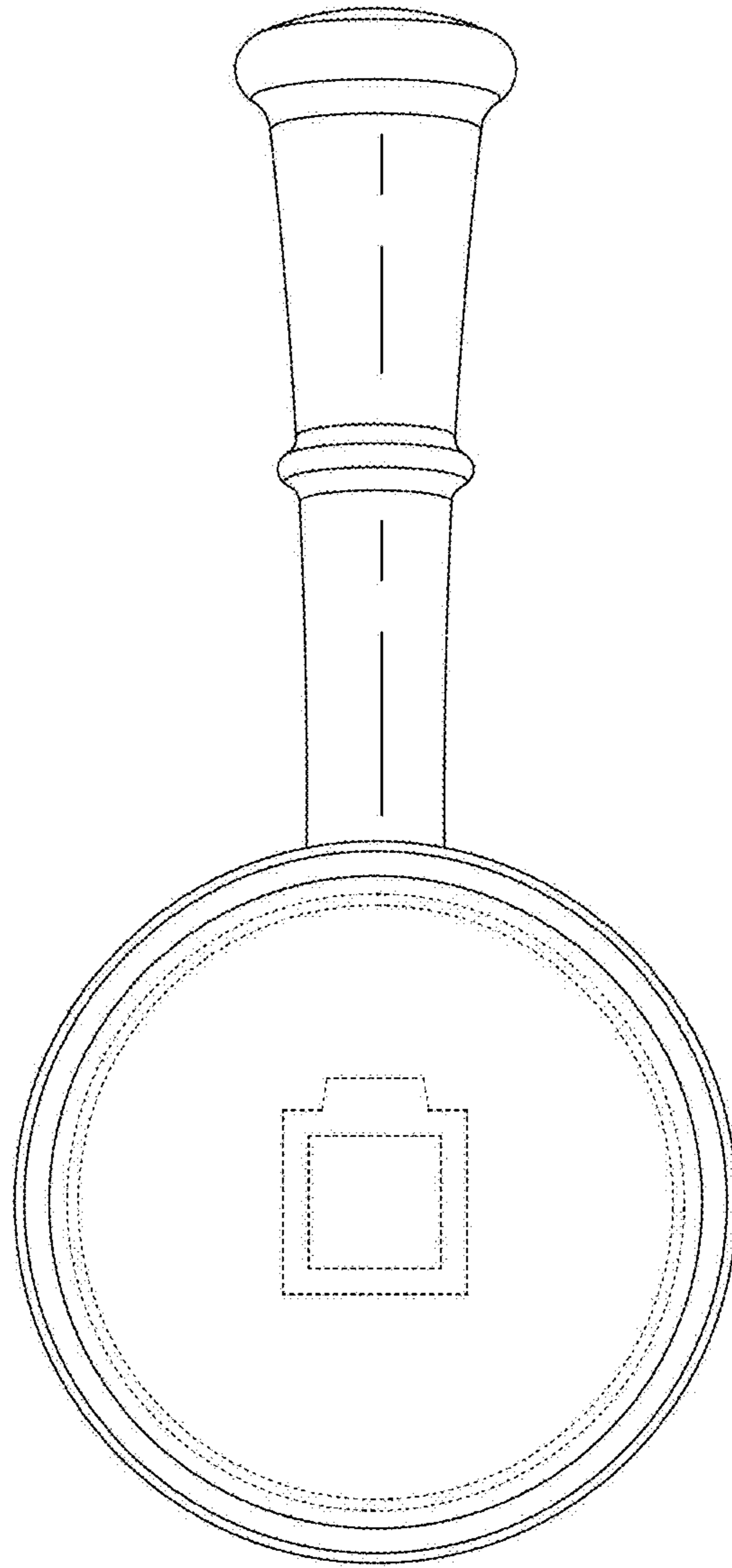


FIG. 7