



US00D962395S

(12) **United States Design Patent**  
**Chen**

(10) **Patent No.:** **US D962,395 S**

(45) **Date of Patent:** **\*\* Aug. 30, 2022**

(54) **FAUCET HANDLE**

(71) Applicant: **Wenzhou Yutong Technology Co., Ltd.**, Zhejiang (CN)

(72) Inventor: **Hui Chen**, Ruian (CN)

(\*\*) Term: **15 Years**

(21) Appl. No.: **29/765,034**

(22) Filed: **Jan. 5, 2021**

(51) **LOC (13) Cl.** ..... **23-01**

(52) **U.S. Cl.**  
USPC ..... **D23/252**

(58) **Field of Classification Search**  
USPC ..... D23/238–243, 249–250, 252;  
D8/307–308

See application file for complete search history.

(56) **References Cited**

**U.S. PATENT DOCUMENTS**

D648,829 S \* 11/2011 Gao ..... D23/252  
D757,908 S \* 5/2016 Fritz ..... D23/252

D812,197 S \* 3/2018 Garland ..... D23/252  
D936,184 S \* 11/2021 Lazarini ..... D23/252  
D941,433 S \* 1/2022 Upadhyaya ..... D23/252

\* cited by examiner

*Primary Examiner* — Robert A Delehanty

(74) *Attorney, Agent, or Firm* — Xiaofang Zhong; Law Office of Xiaofang Zhong, PLLC

(57) **CLAIM**

The ornamental design for a faucet handle, as shown and described.

**DESCRIPTION**

FIG. 1 is a perspective view of a faucet handle showing my new design;

FIG. 2 is a front elevational view thereof;

FIG. 3 is a back elevational view thereof;

FIG. 4 is a right-side elevational view thereof;

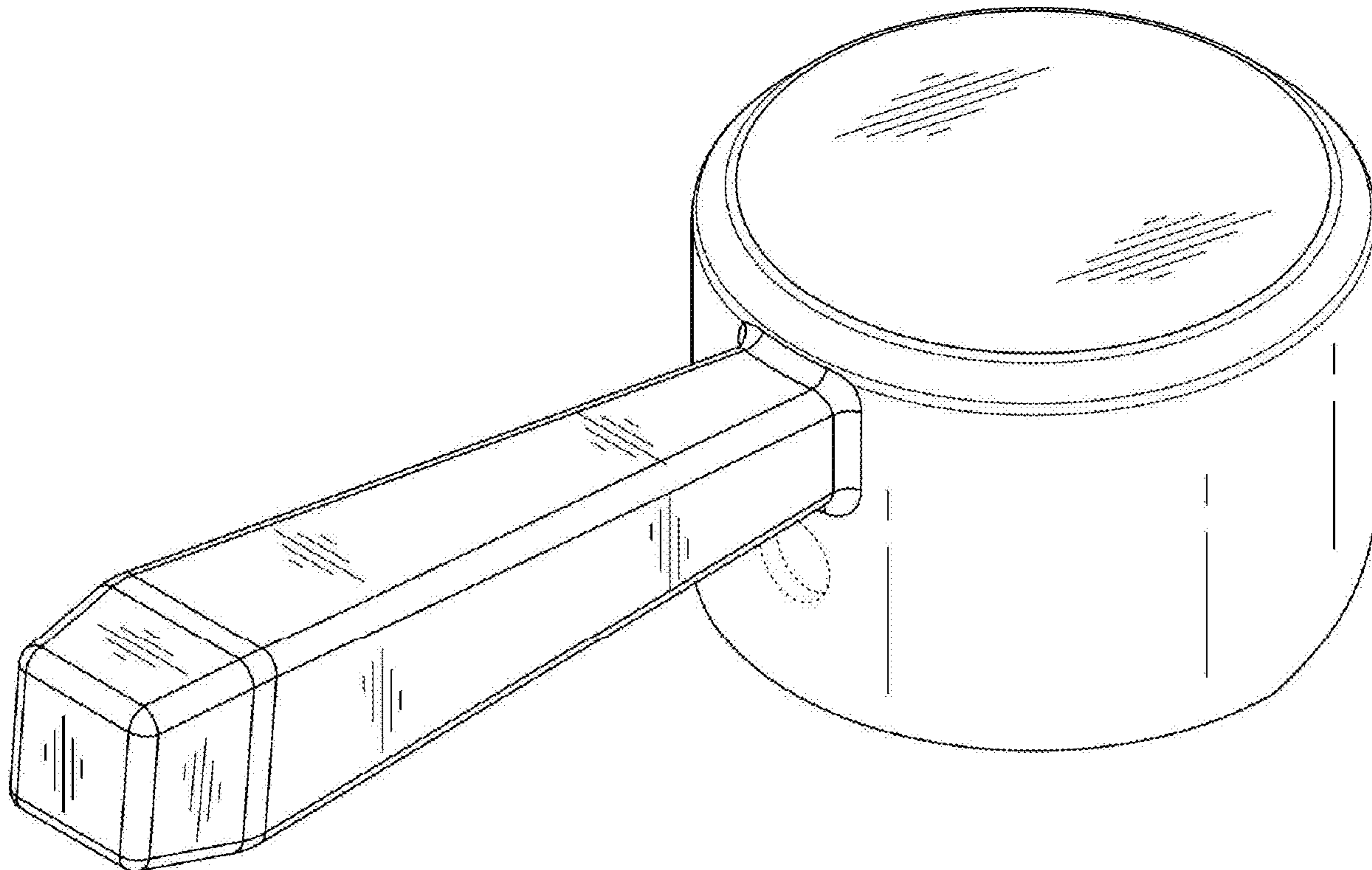
FIG. 5 is a left-side elevational view thereof;

FIG. 6 is a top plan view thereof; and,

FIG. 7 is a bottom plan view thereof.

The broken lines in the drawings depict part of the faucet handle that form no part of the claimed design.

**1 Claim, 5 Drawing Sheets**



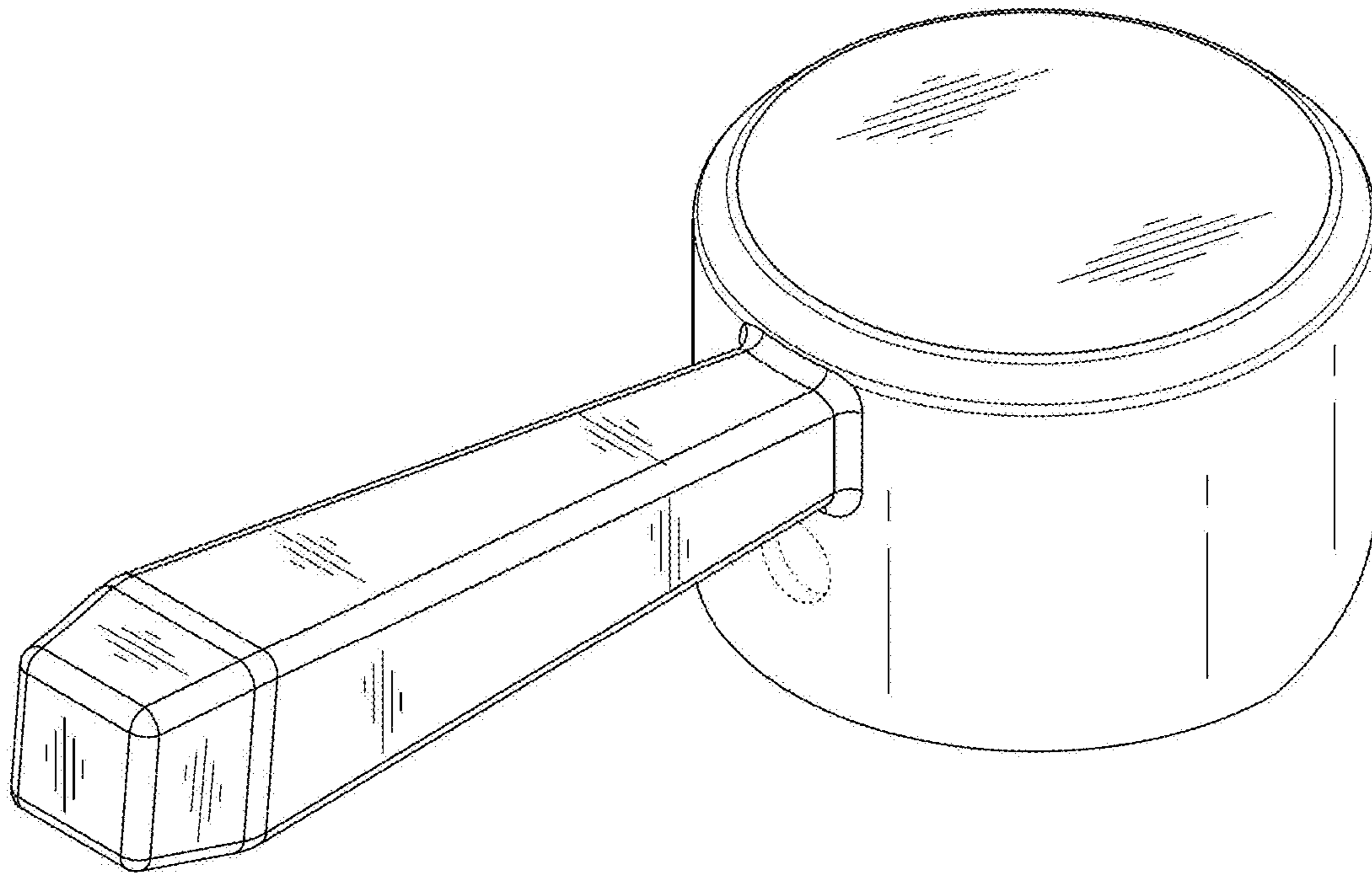


FIG. 1

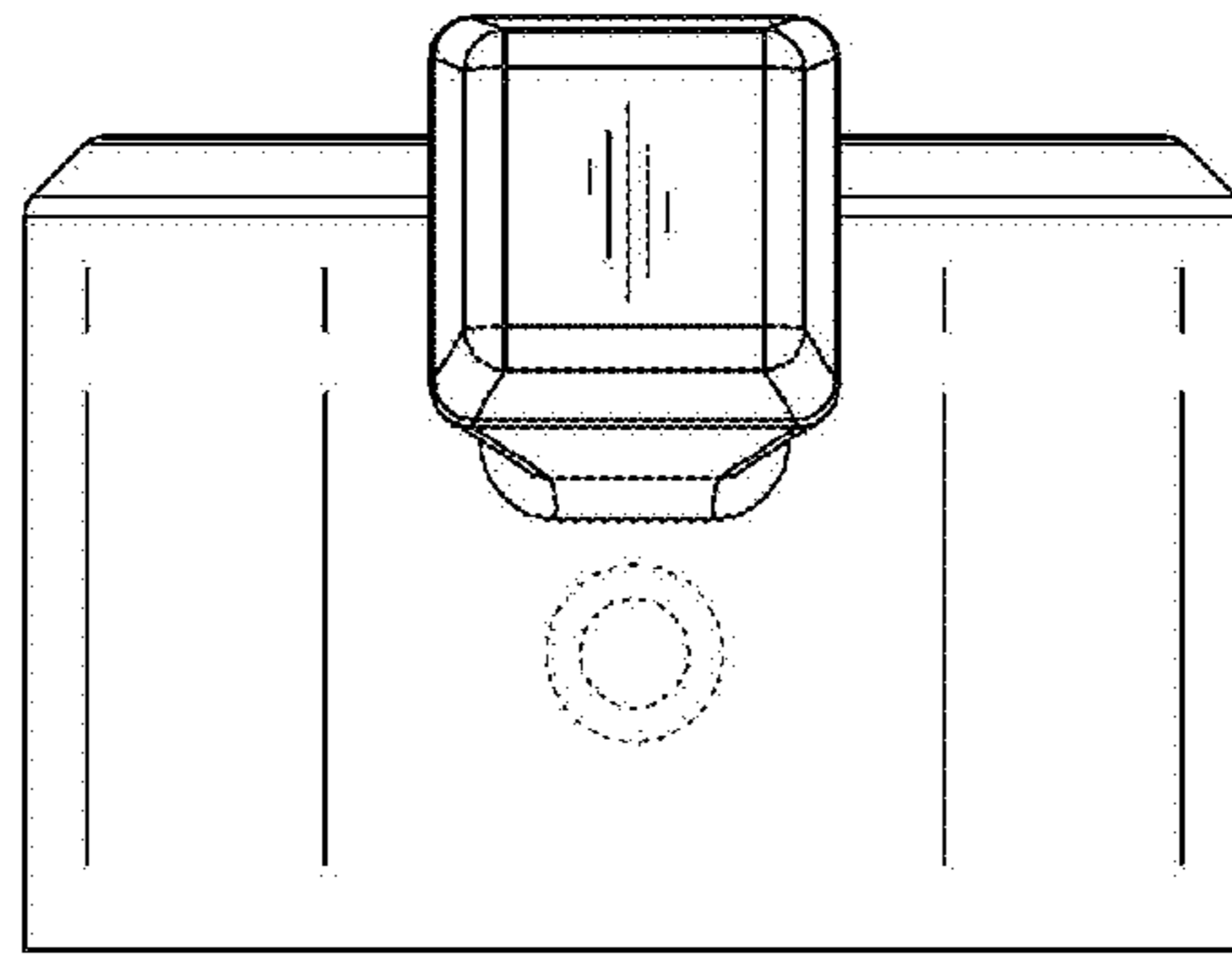


FIG. 2

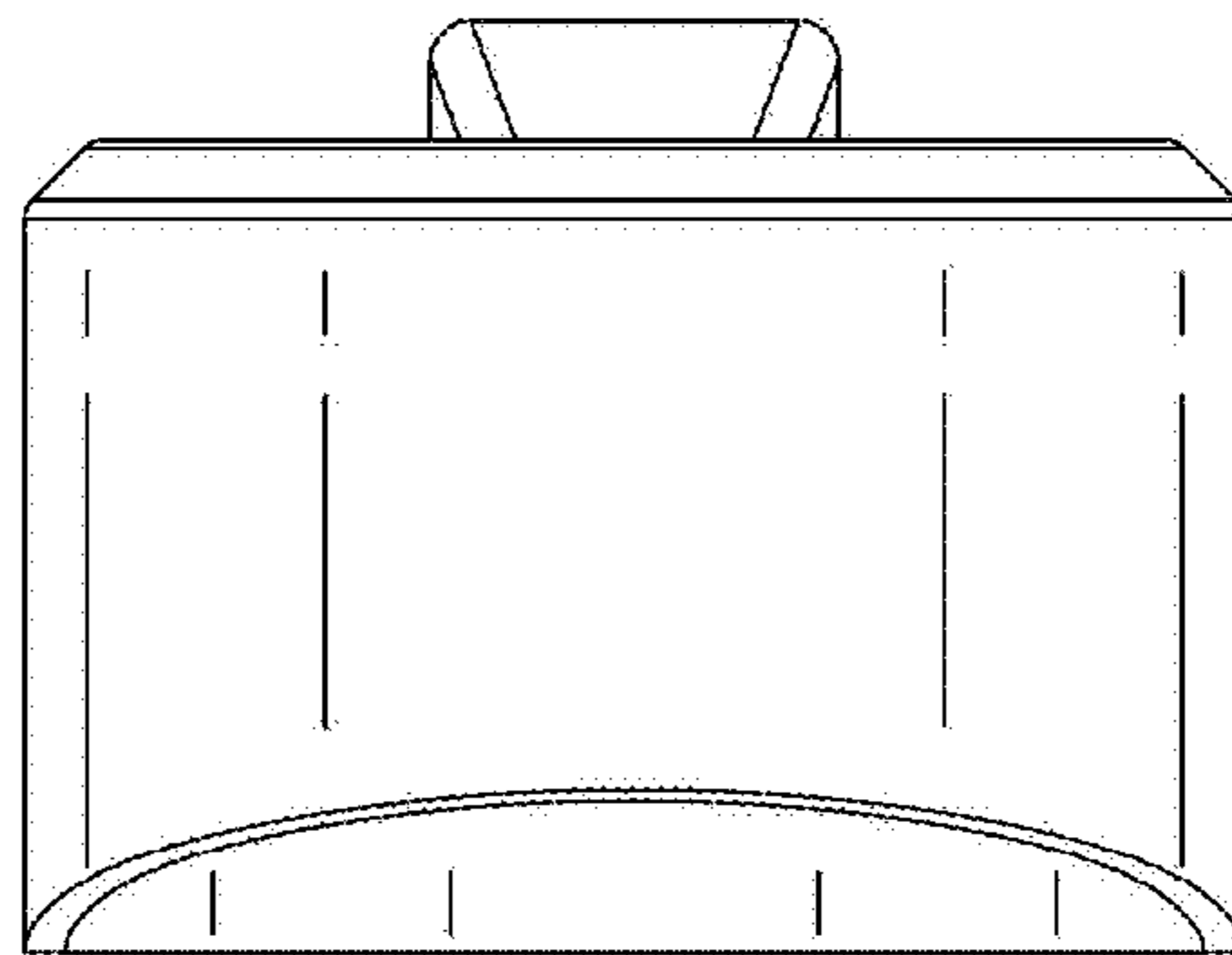


FIG. 3

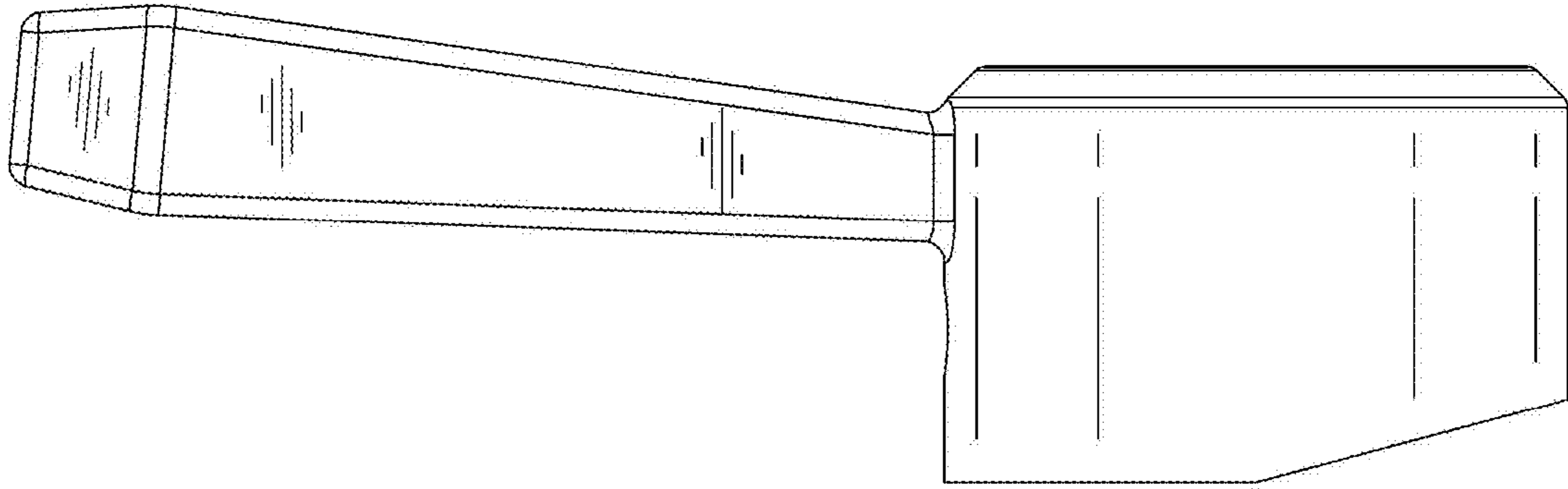


FIG. 4

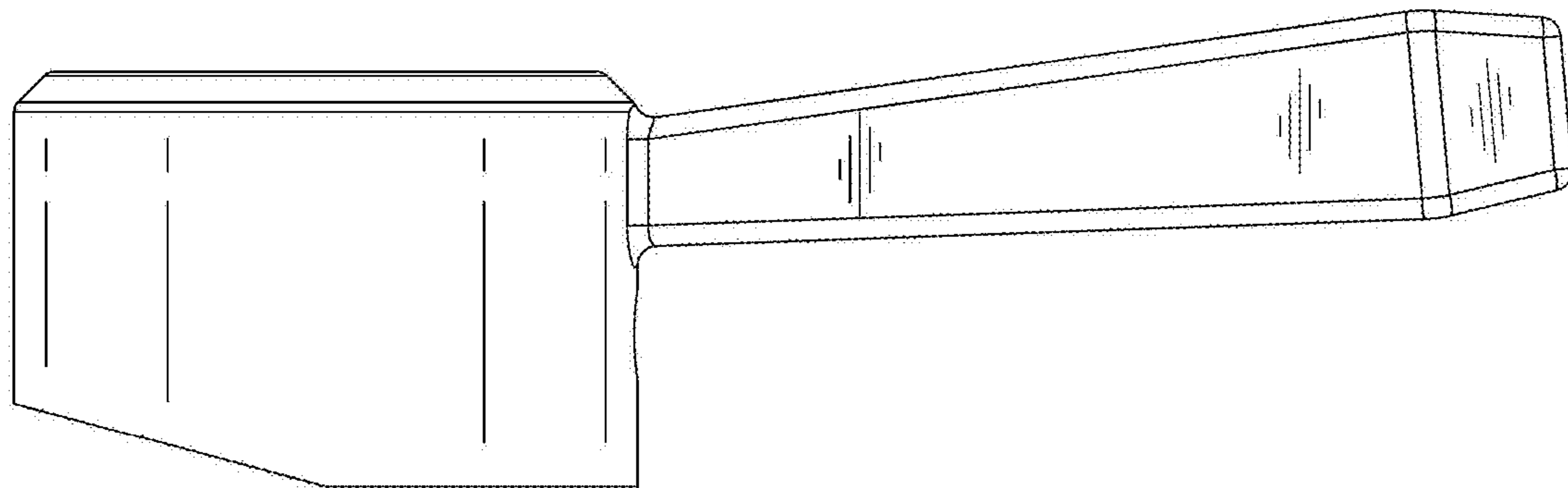


FIG. 5

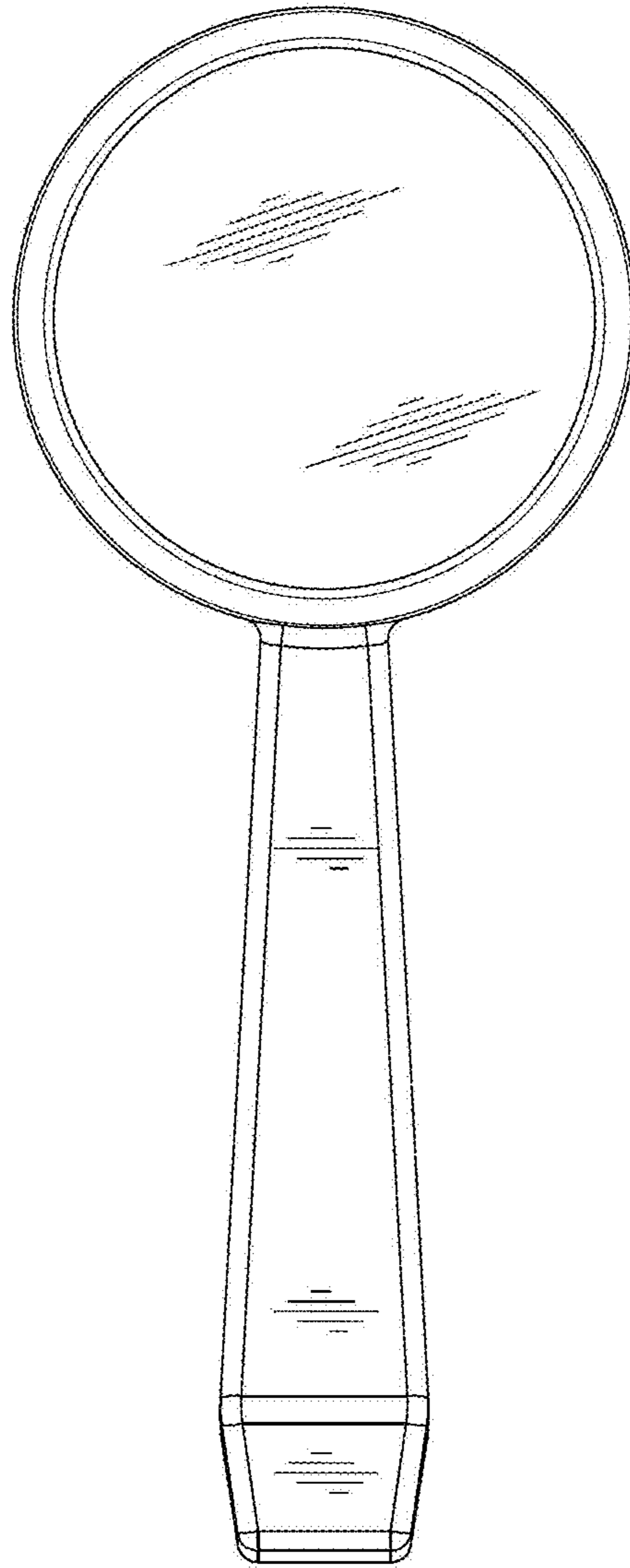


FIG. 6

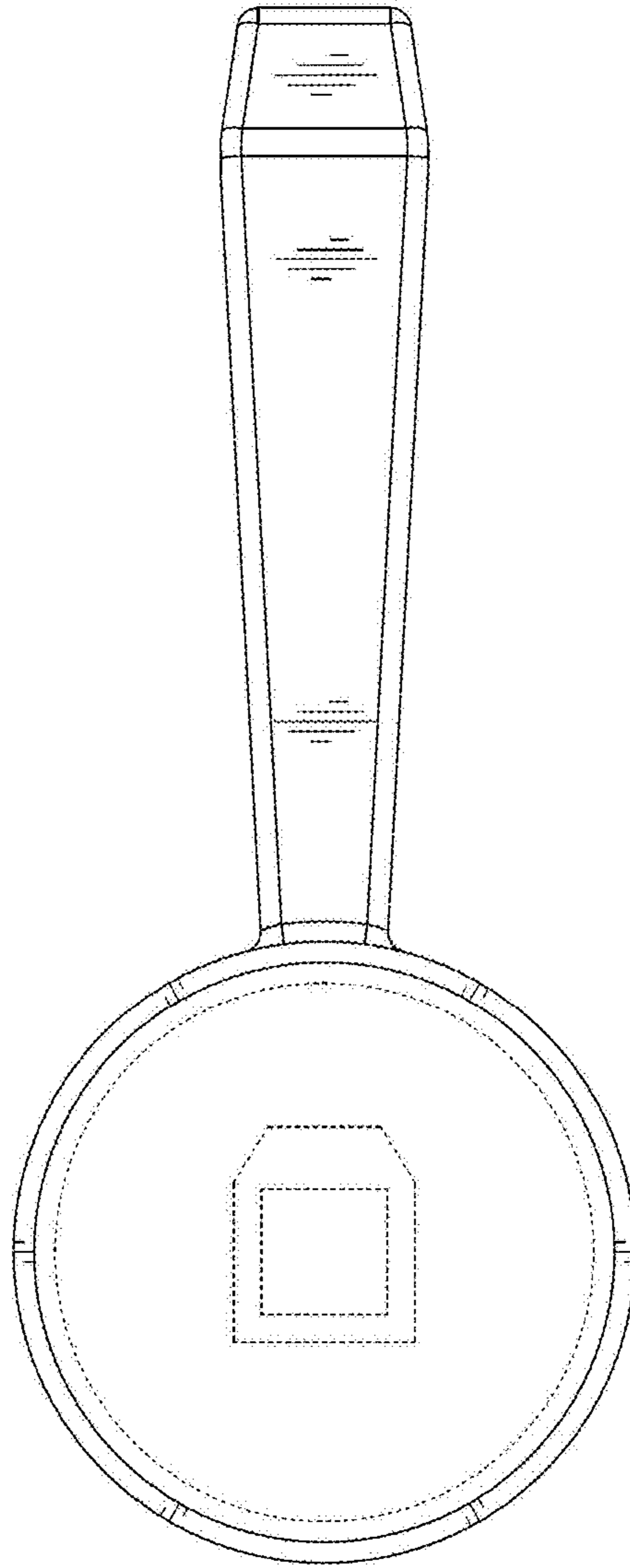


FIG. 7