

US00D962393S

(12) **United States Design Patent** (10) **Patent No.:** **US D962,393 S**
Eads et al. (45) **Date of Patent:** **** Aug. 30, 2022**

(54) **FAUCET BODY**

(71) Applicant: **DELTA FAUCET COMPANY**,
Indianapolis, IN (US)

(72) Inventors: **Thad Eads**, Urbana, IN (US); **Celine Kwok Garland**, Zionsville, IN (US)

(73) Assignee: **DELTA FAUCET COMPANY**,
Indianapolis, IN (US)

(**) Term: **15 Years**

(21) Appl. No.: **29/770,646**

(22) Filed: **Feb. 15, 2021**

(51) **LOC (13) Cl.** **23-01**

(52) **U.S. Cl.**
USPC **D23/238; D23/249**

(58) **Field of Classification Search**
USPC D23/238, 239, 240, 241, 242, 243, 246,
D23/247, 249, 250, 251, 252, 253, 254,
D23/255, 256, 257
CPC E03C 1/00; E03C 1/01; E03C 1/02; E03C
1/023; E03C 1/04; E03C 1/0401; E03C
1/0404; E03C 1/0412; E03C 1/042; E03C
1/05; F16K 31/60
See application file for complete search history.

D594,093 S * 6/2009 Tsai D23/249
D661,377 S * 6/2012 Vish D23/255
D736,352 S * 8/2015 Voorhuis D23/238
D820,399 S * 6/2018 Garland D23/238
D863,507 S * 10/2019 Zhang D23/238
D877,861 S * 3/2020 Garland D23/242
D902,357 S * 11/2020 Eads D23/255
D924,365 S * 7/2021 Lazarini D23/238

FOREIGN PATENT DOCUMENTS

CN 201730390753 * 8/2017
CN 201930232035.1 * 5/2019
CN 201930654349.0 * 11/2019

* cited by examiner

Primary Examiner — Samantha Wood

(74) *Attorney, Agent, or Firm* — Nirav D. Parikh; Jeffrey L. Doyle

(57) **CLAIM**

The ornamental design for a faucet body, as shown and described.

DESCRIPTION

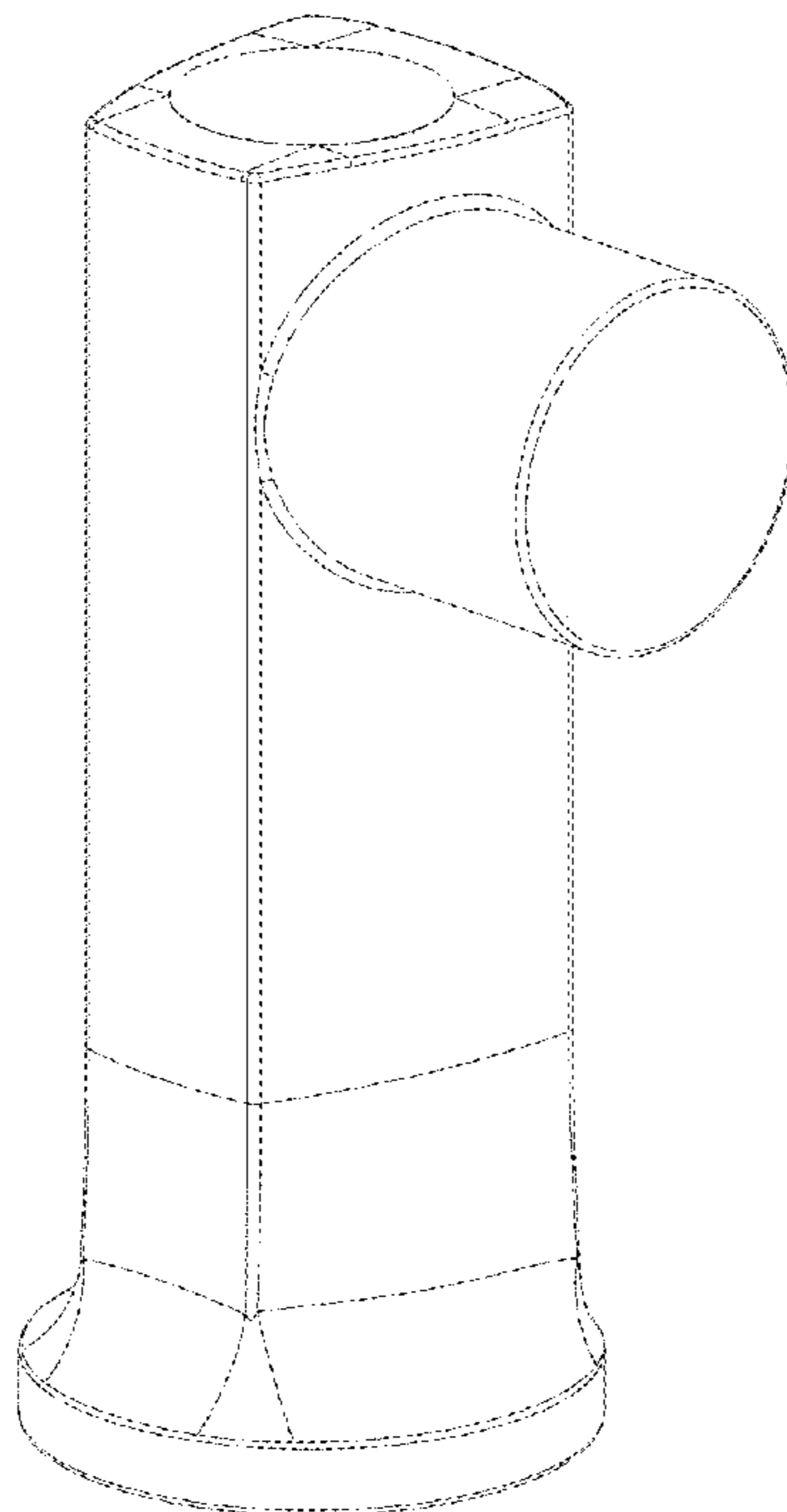
FIG. 1 is a front perspective view of a faucet body showing our new design;
FIG. 2 is a rear perspective view thereof;
FIG. 3 is a front elevational view thereof;
FIG. 4 is a left side view thereof;
FIG. 5 is a rear view thereof;
FIG. 6 is a right side view thereof;
FIG. 7 is a top plan view thereof; and,
FIG. 8 is a bottom view thereof.

1 Claim, 4 Drawing Sheets

(56) **References Cited**

U.S. PATENT DOCUMENTS

D482,102 S * 11/2003 Wettstein D23/238
D540,910 S * 4/2007 Blomstrom D23/257
D541,384 S * 4/2007 Citterio D23/249
D570,451 S * 6/2008 Dolan D23/242
D581,496 S * 11/2008 Dolan D23/255



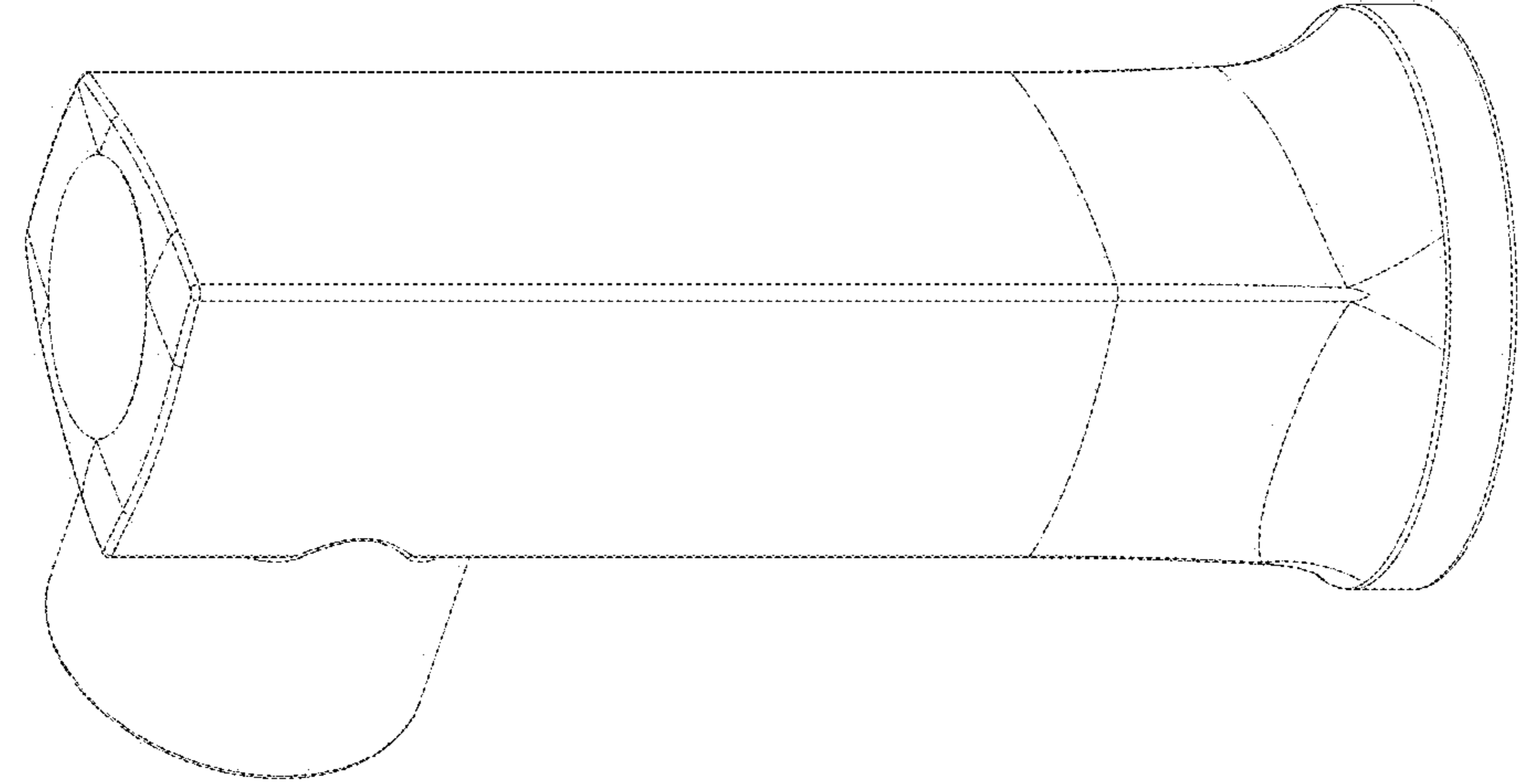


FIG - 2

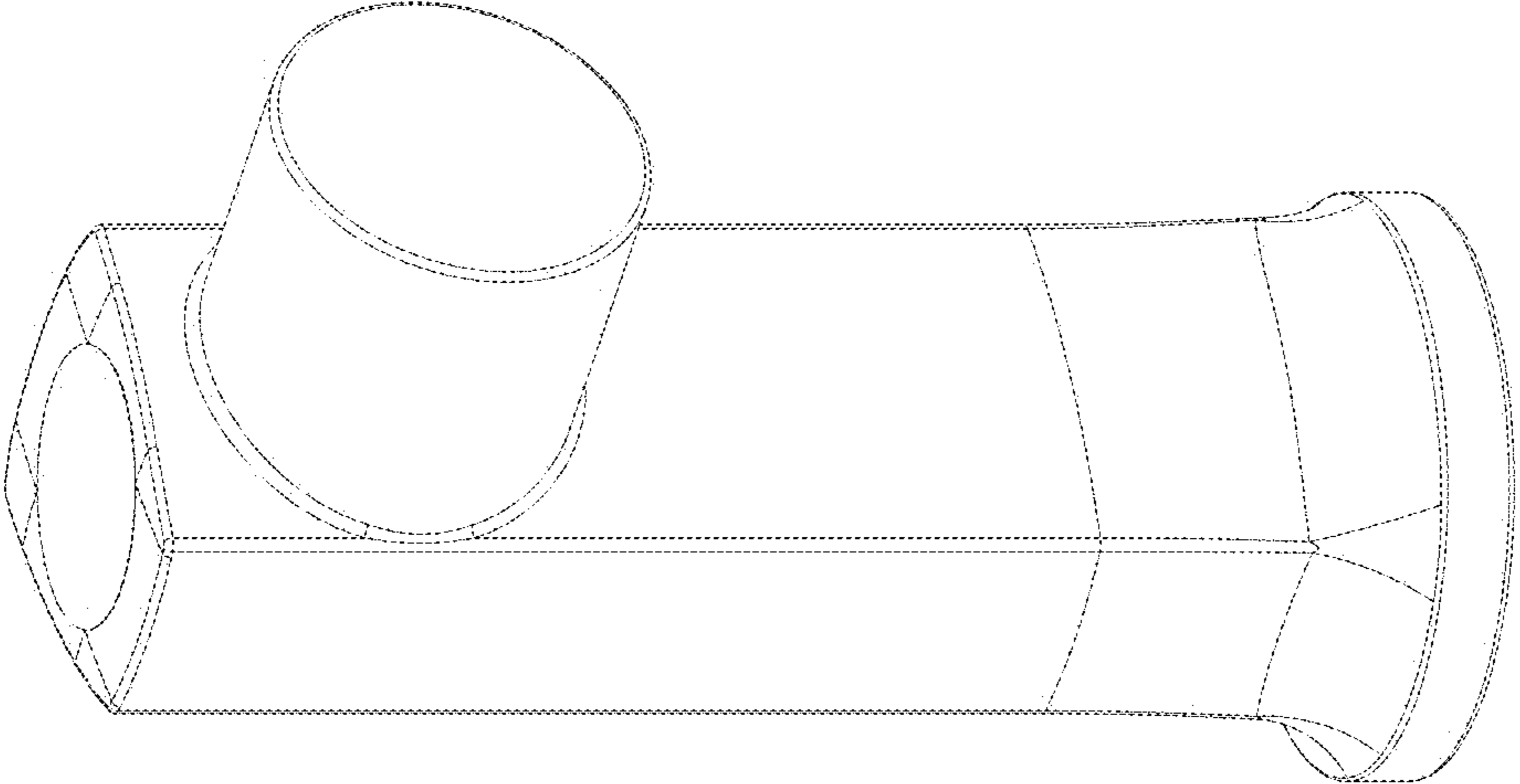


FIG - 1

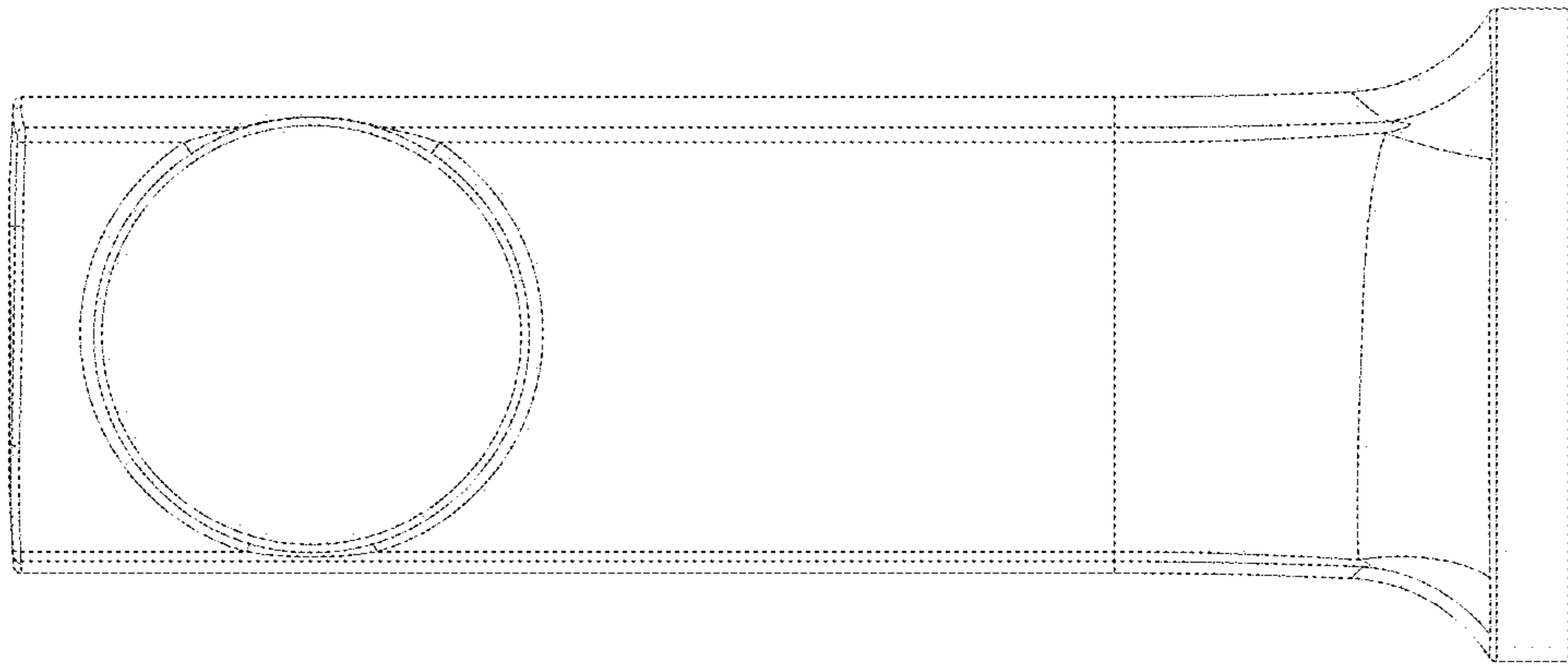


FIG - 4

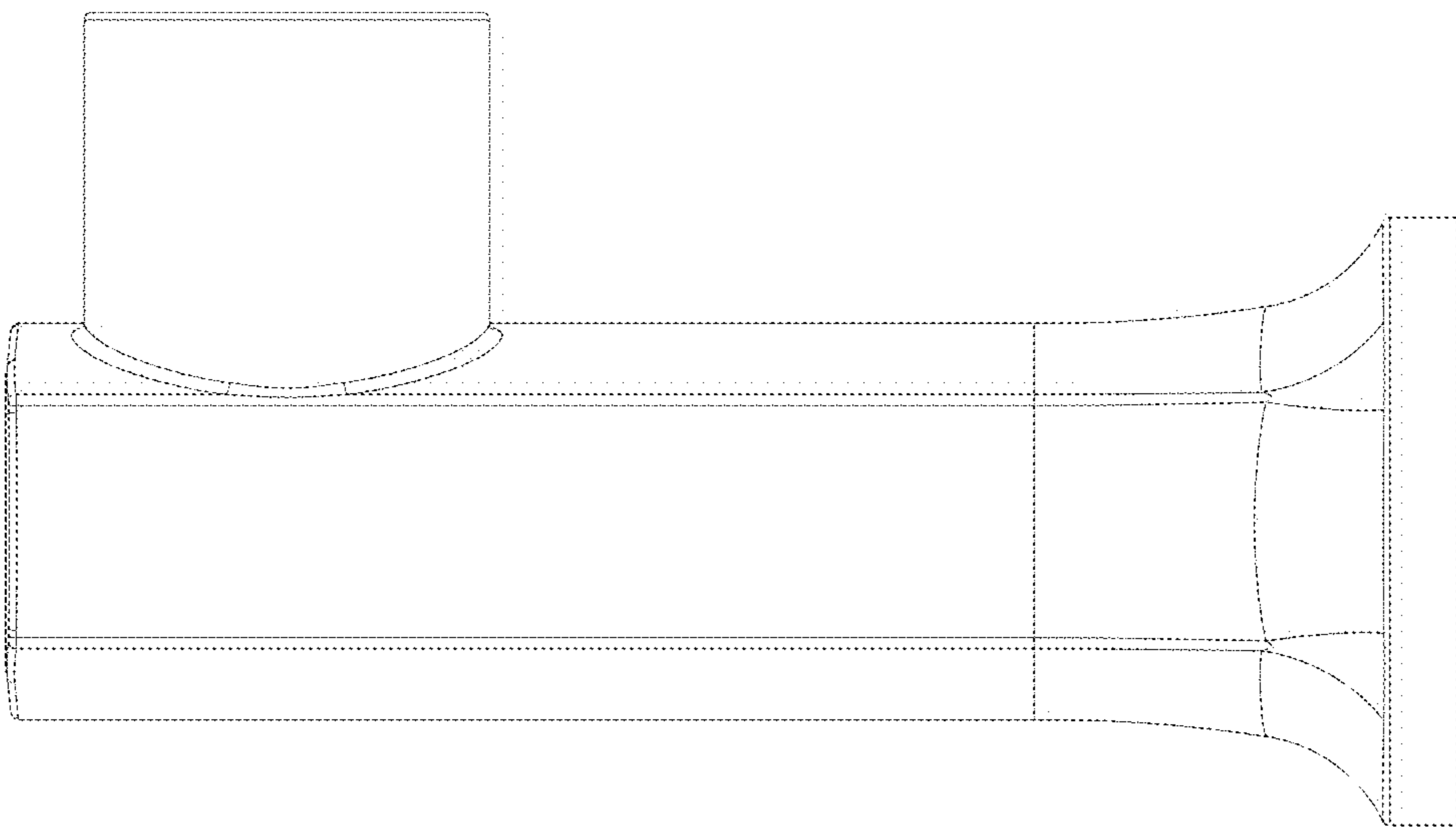


FIG - 3

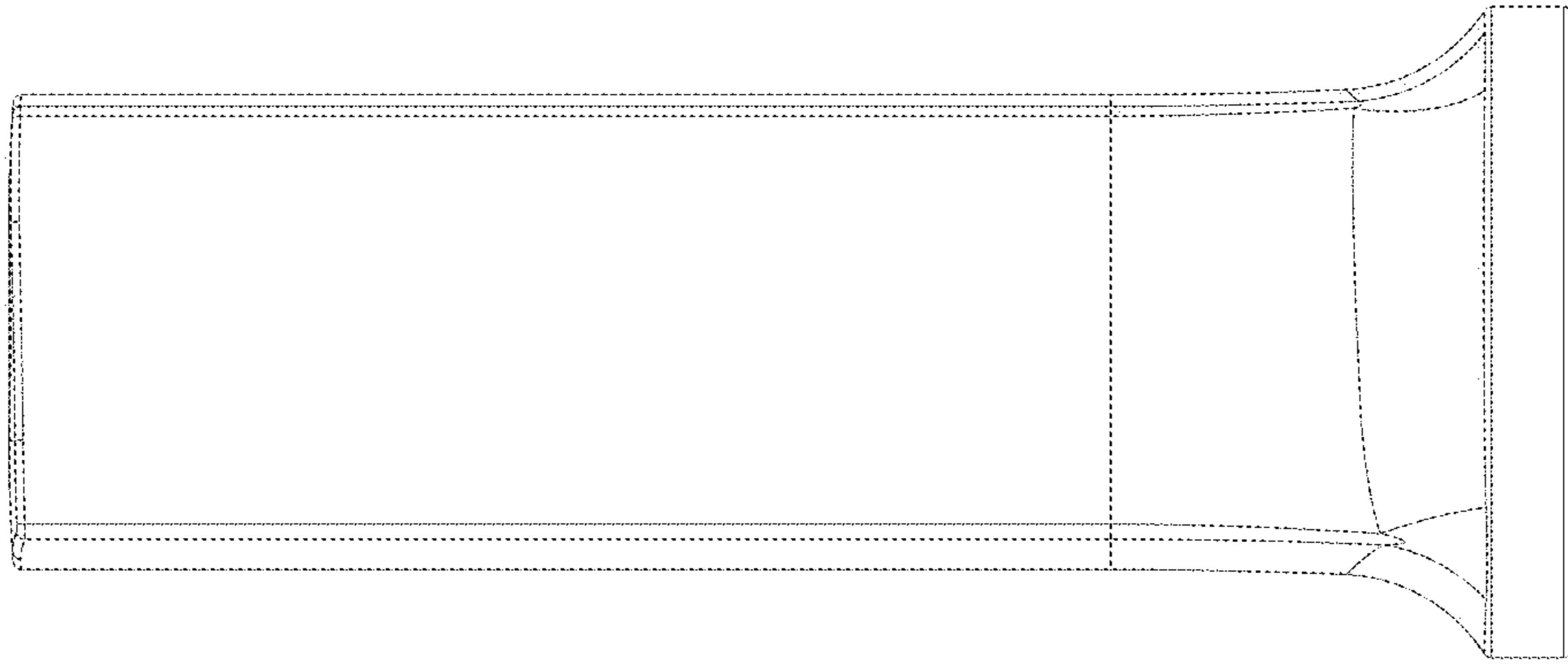


FIG - 6

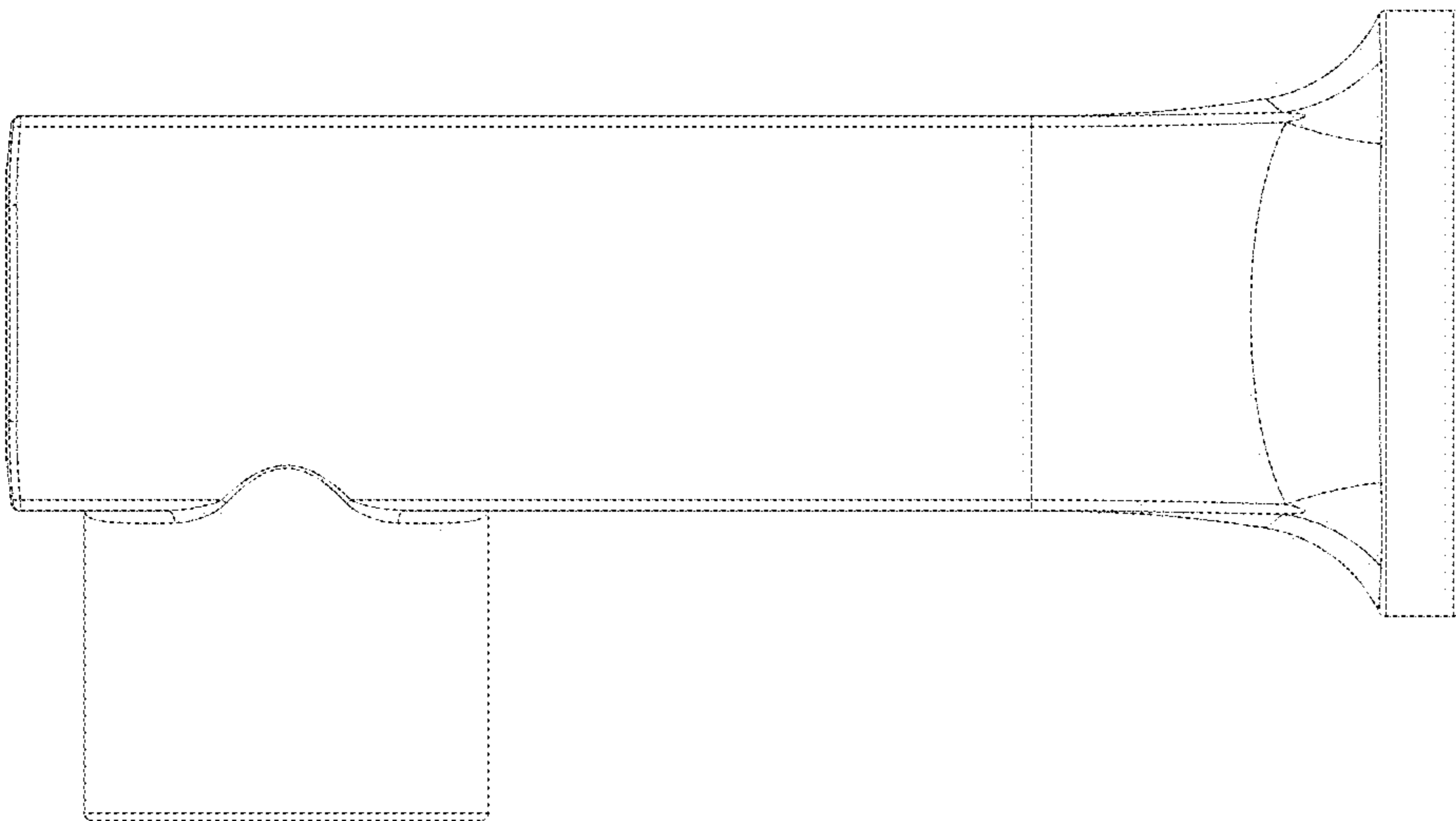


FIG - 5

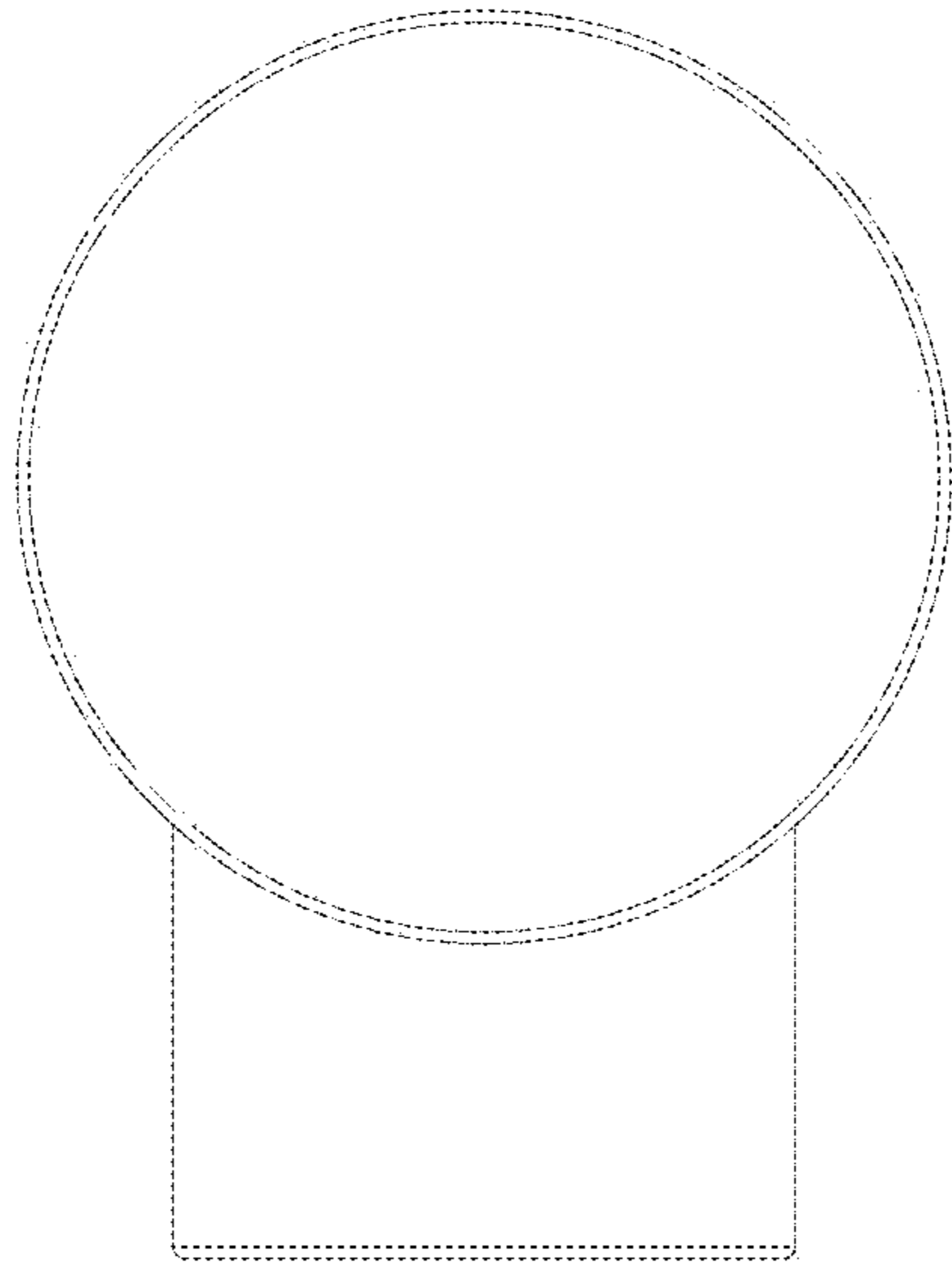


FIG - 8

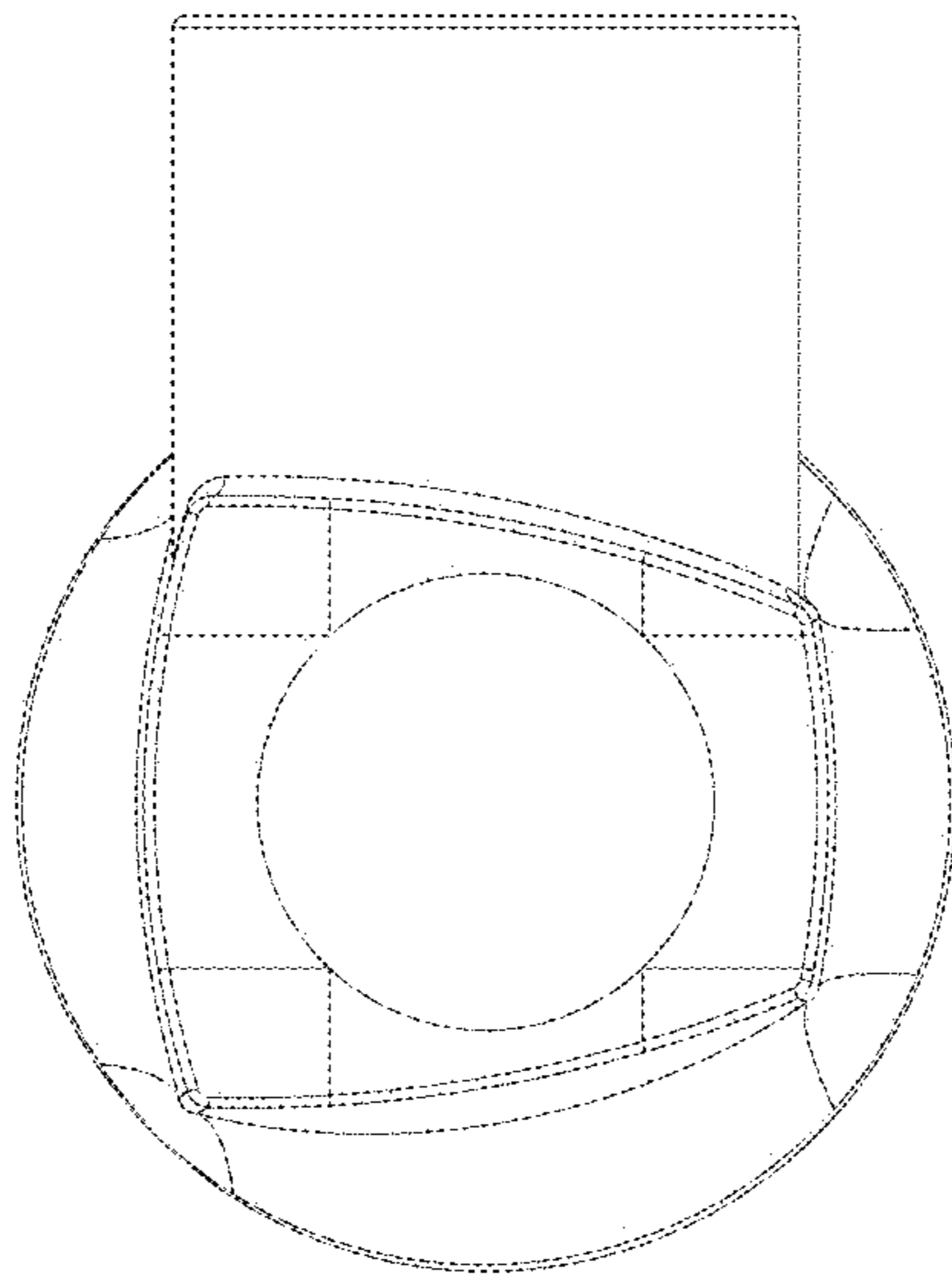


FIG - 7