



US00D962391S

(12) **United States Design Patent** (10) **Patent No.:** **US D962,391 S**
Stoler (45) **Date of Patent:** **** Aug. 30, 2022**

(54) **FAUCET**
(71) Applicant: **DELTA FAUCET COMPANY,**
Indianapolis, IN (US)
(72) Inventor: **Benjamin David Stoler,** Carmel, IN
(US)
(73) Assignee: **DELTA FAUCET COMPANY,**
Indianapolis, IN (US)

D591,834 S * 5/2009 Williams D23/252
D611,124 S * 3/2010 Schoenherr D23/238
D786,405 S * 5/2017 Schaubach D23/238
D828,508 S * 9/2018 Fritz D23/238
D840,508 S * 2/2019 Garland D23/238
D858,714 S * 9/2019 Garland D23/249
D870,852 S * 12/2019 Eads D23/238
D873,379 S * 1/2020 Fritz D23/238
D873,380 S * 1/2020 Judge D23/238
D930,792 S * 9/2021 Fritz D23/238
D939,050 S * 12/2021 Stoler D23/226
2021/0062483 A1* 3/2021 Yan E03C 1/0409

(**) Term: **15 Years**

FOREIGN PATENT DOCUMENTS

(21) Appl. No.: **29/760,426**

CN 201330612828 * 12/2013

(22) Filed: **Dec. 1, 2020**

* cited by examiner

(51) **LOC (13) Cl.** **23-01**

Primary Examiner — Samantha Wood

(52) **U.S. Cl.**
USPC **D23/238**

(74) *Attorney, Agent, or Firm* — Nirav D. Parikh; Jeffrey L. Doyle

(58) **Field of Classification Search**
USPC D23/257, 249, 233, 238, 239, 240, 241,
D23/242, 243, 250, 251, 252, 253, 254,
D23/255, 259

CPC E03C 1/01; E03C 1/0409; E03C 1/025;
E03C 1/0408; E03C 1/04; E03C 1/0401;
E03C 1/0402; E03C 1/0405; E03C
1/0412; Y10T 137/5339; Y10T 137/6014;
Y10T 137/6021

See application file for complete search history.

(57) **CLAIM**

The ornamental design for a faucet, as shown and described.

DESCRIPTION

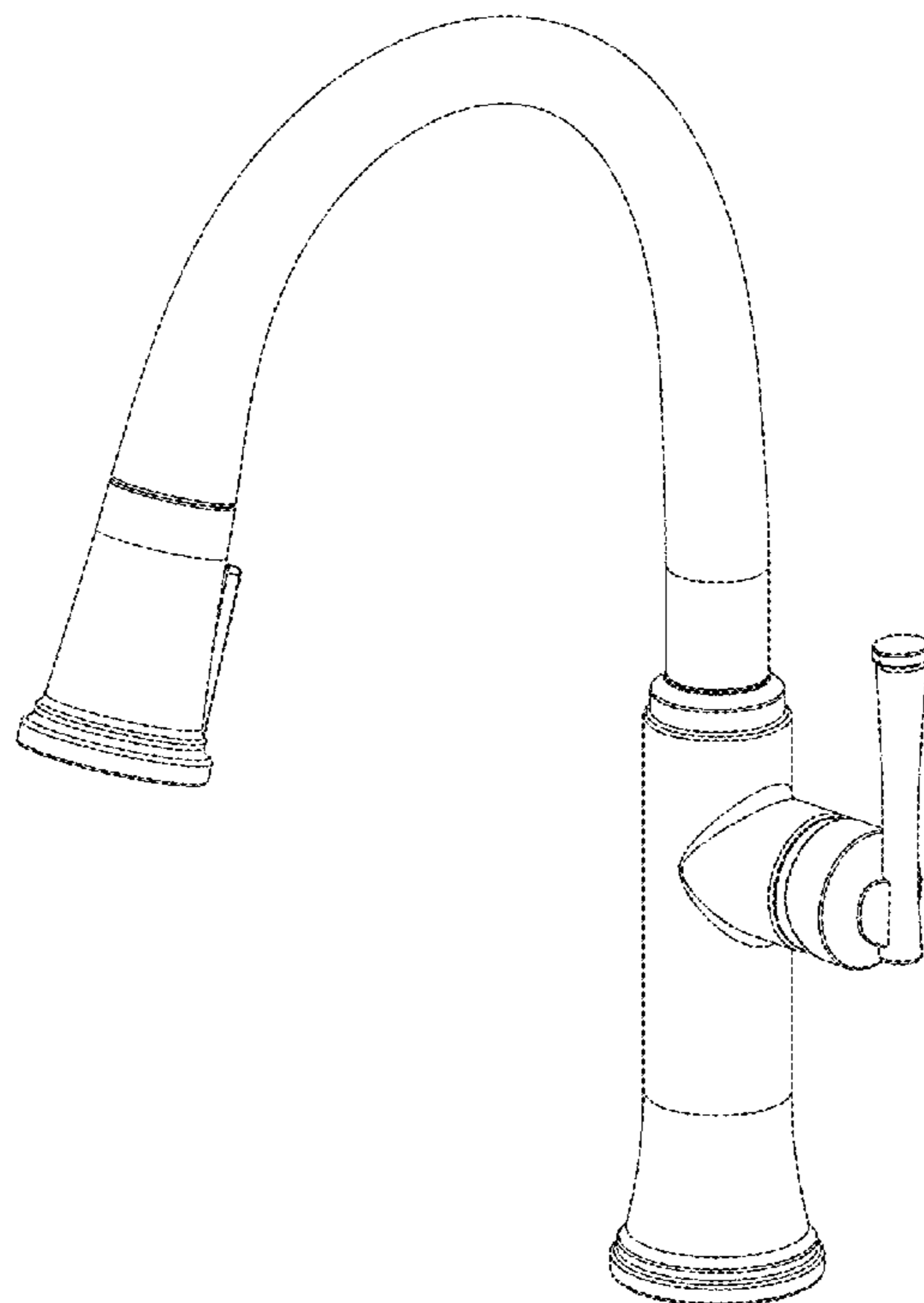
FIG. 1 is a front perspective view of a faucet showing my new design;
FIG. 2 is a rear perspective view thereof;
FIG. 3 is a front elevational view thereof;
FIG. 4 is a left side view thereof;
FIG. 5 is a rear view thereof;
FIG. 6 is a right side view thereof;
FIG. 7 is a top plan view thereof; and,
FIG. 8 is a bottom view thereof.

(56) **References Cited**

U.S. PATENT DOCUMENTS

D357,730 S * 4/1995 Saperstein D23/252
D474,957 S * 5/2003 Singtoroj D8/308
D564,634 S * 3/2008 Kirar D23/255

1 Claim, 4 Drawing Sheets



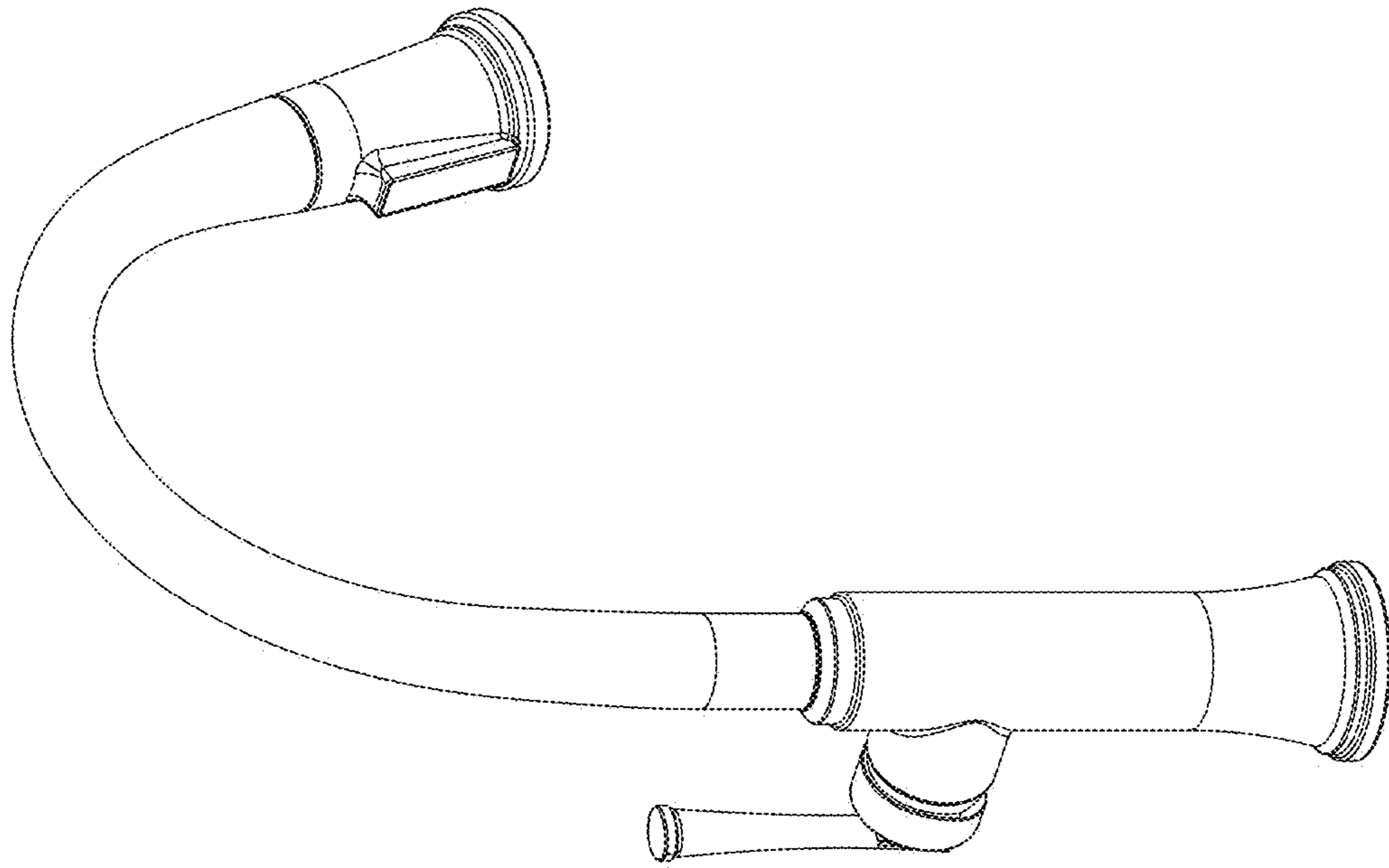


FIG - 2

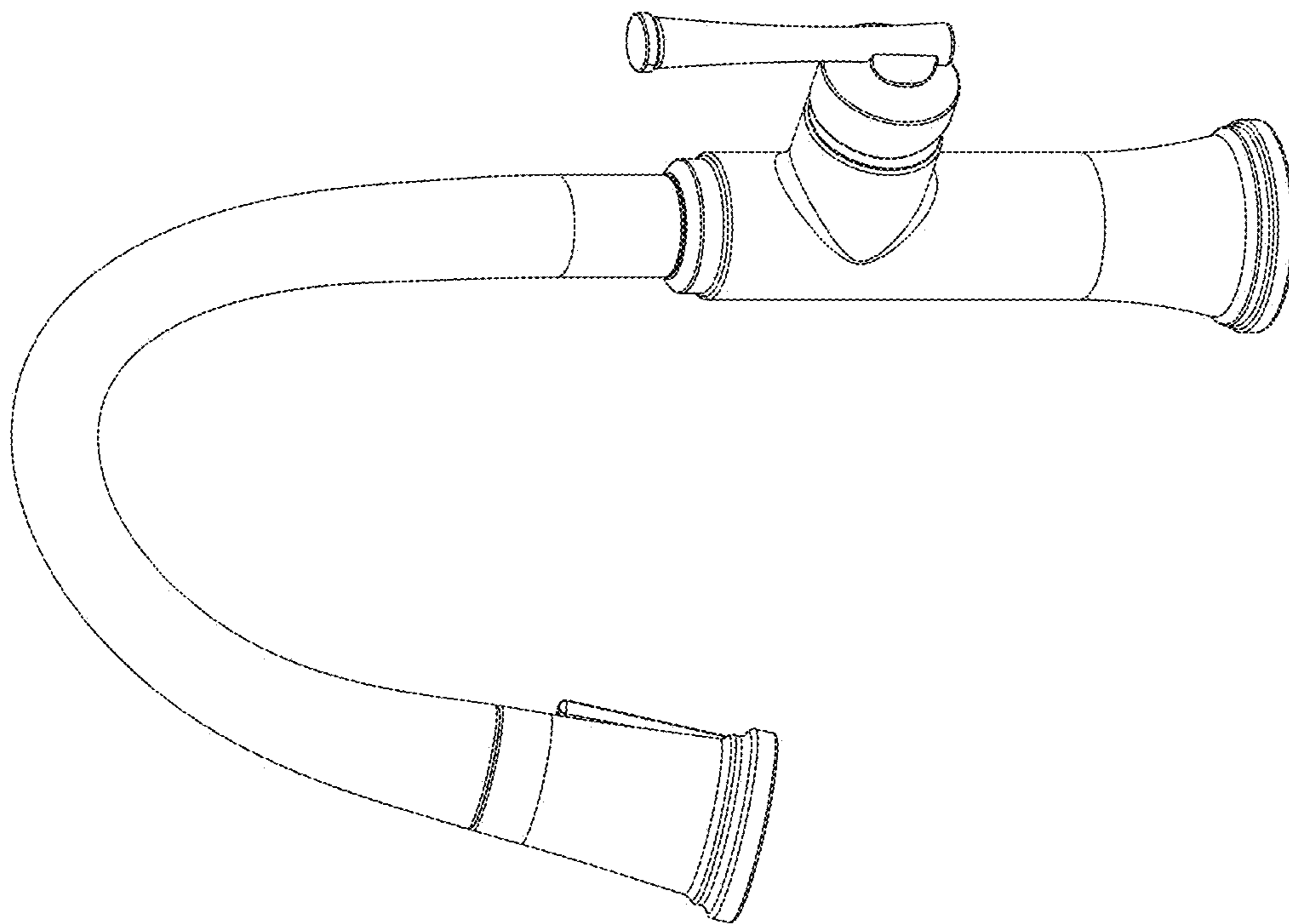


FIG - 1

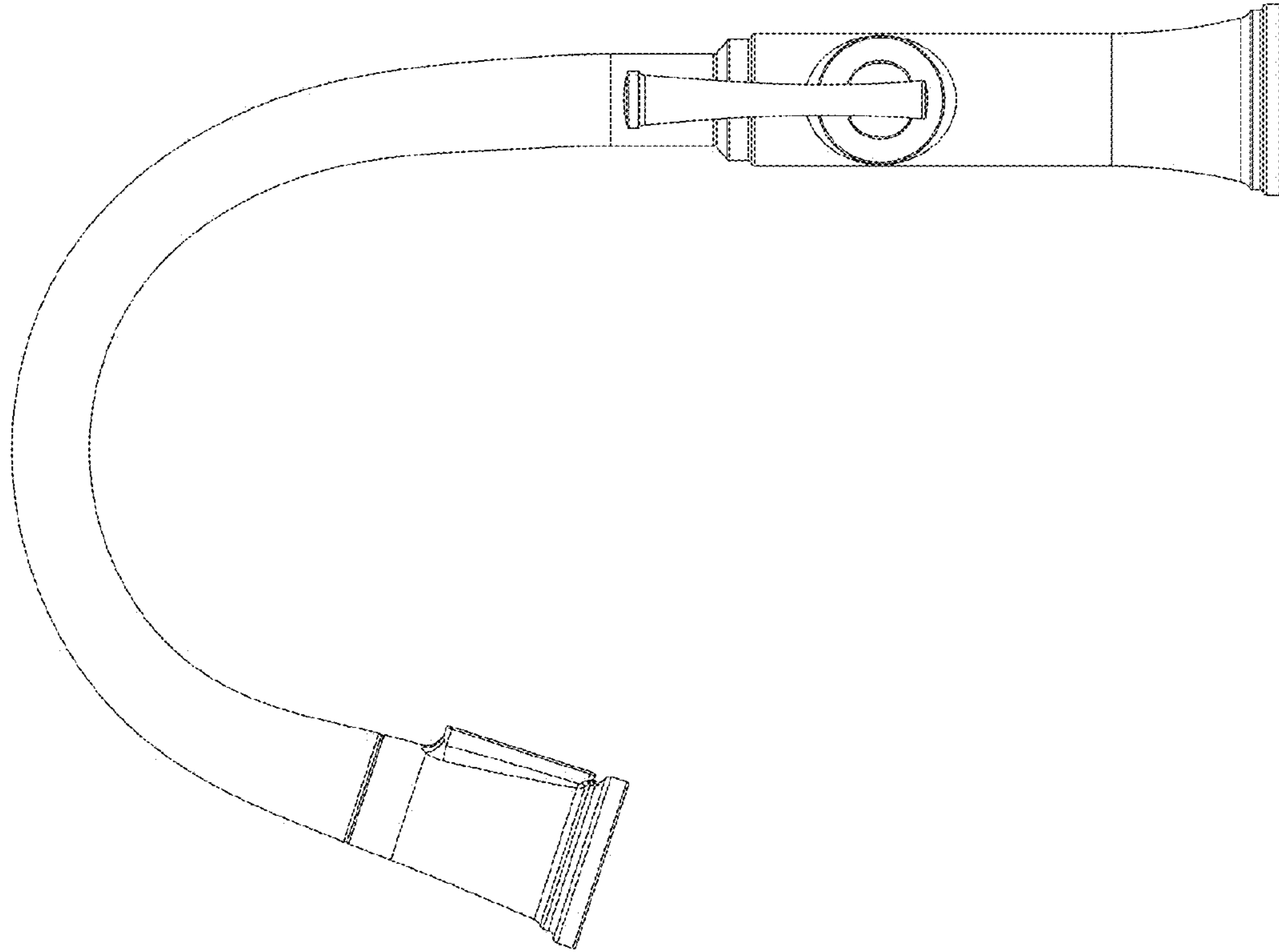


FIG - 4

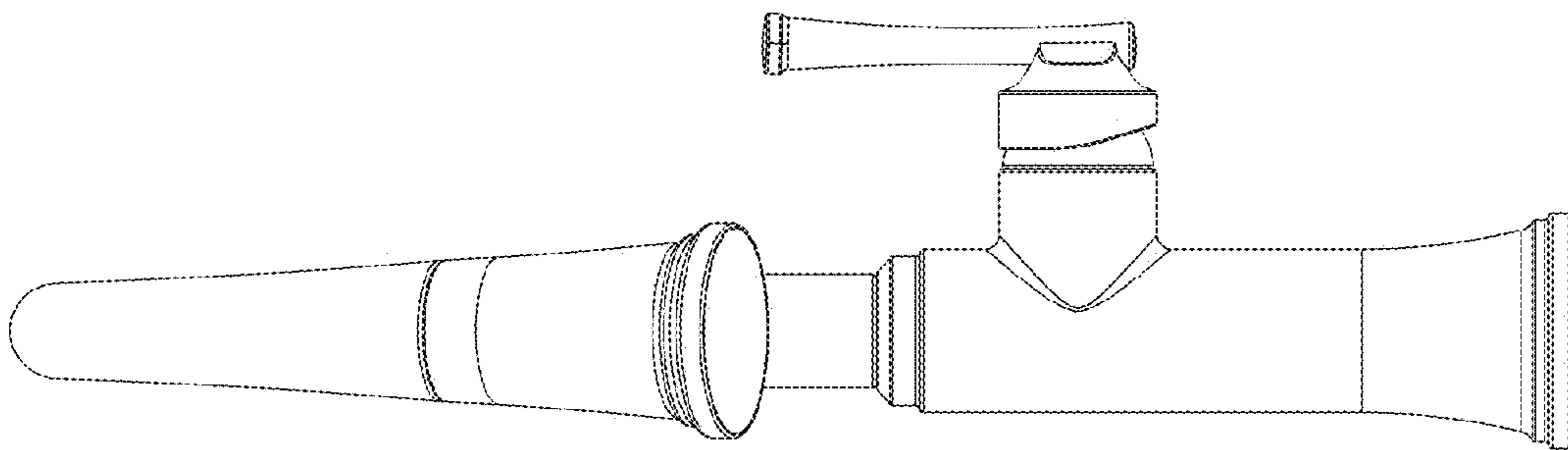


FIG - 3

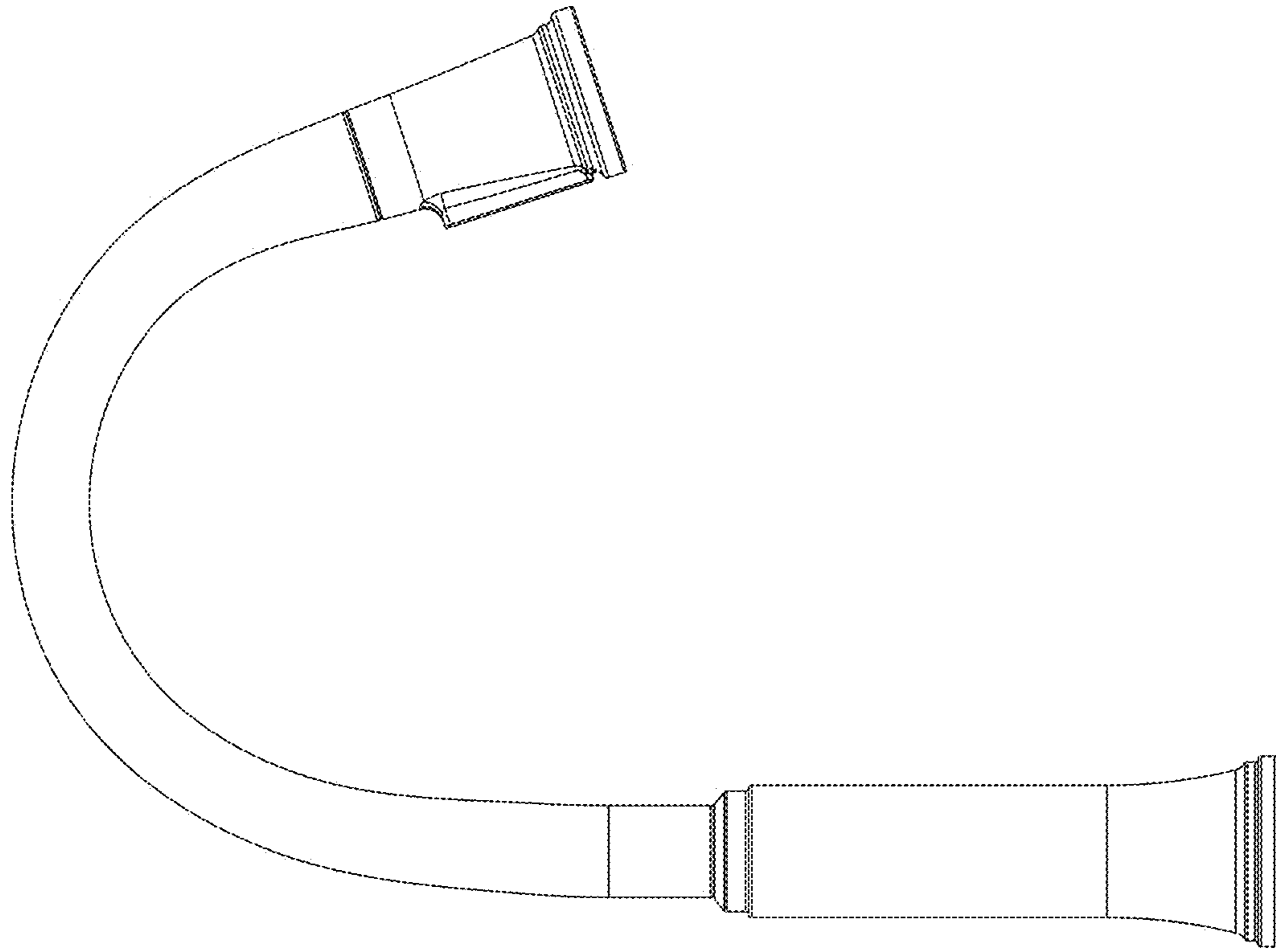


FIG - 6

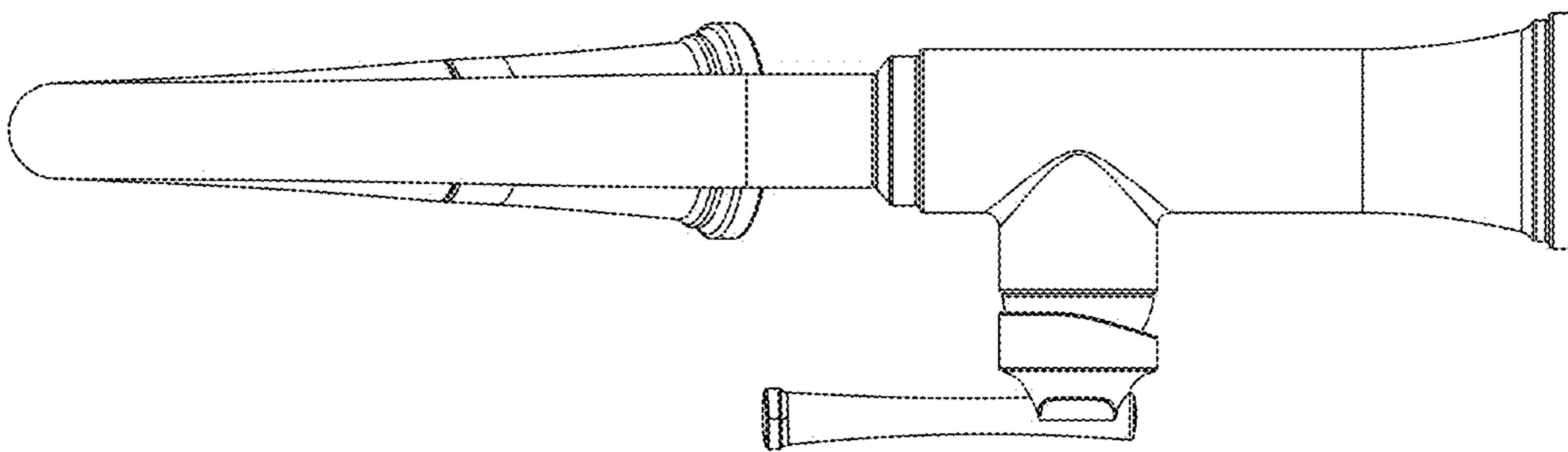


FIG - 5

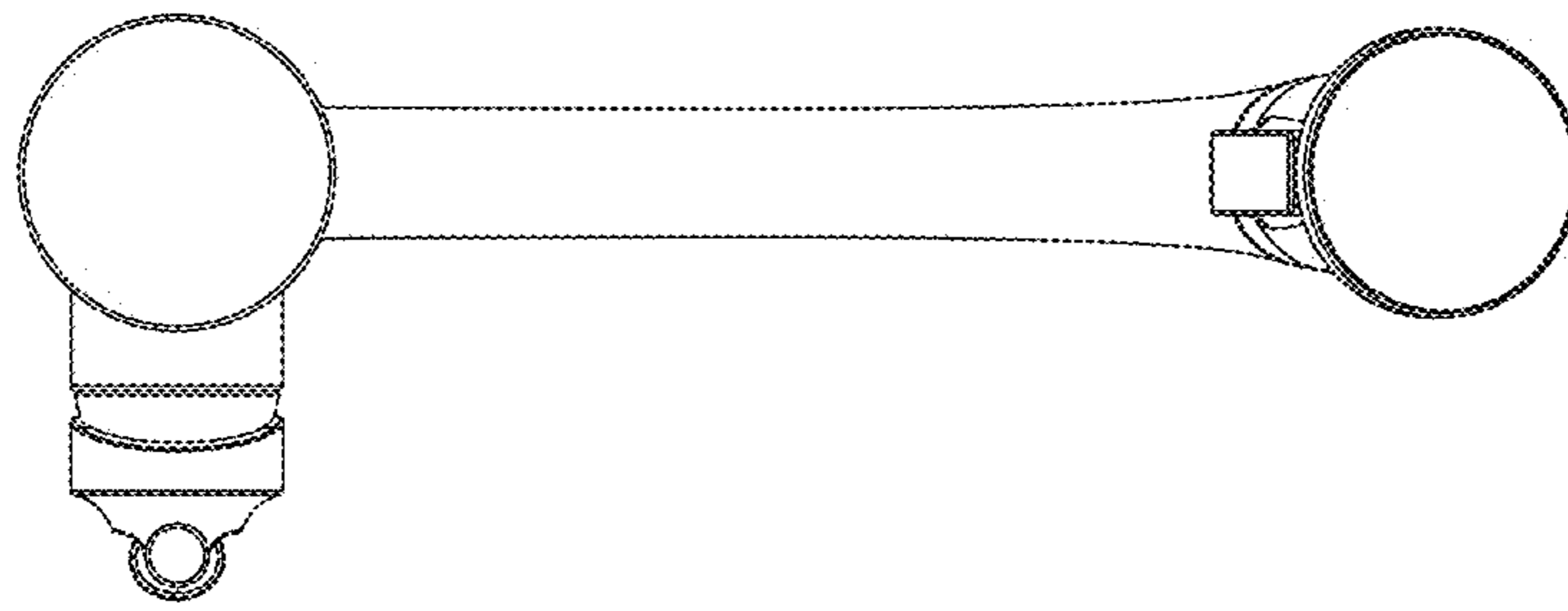


FIG - 8

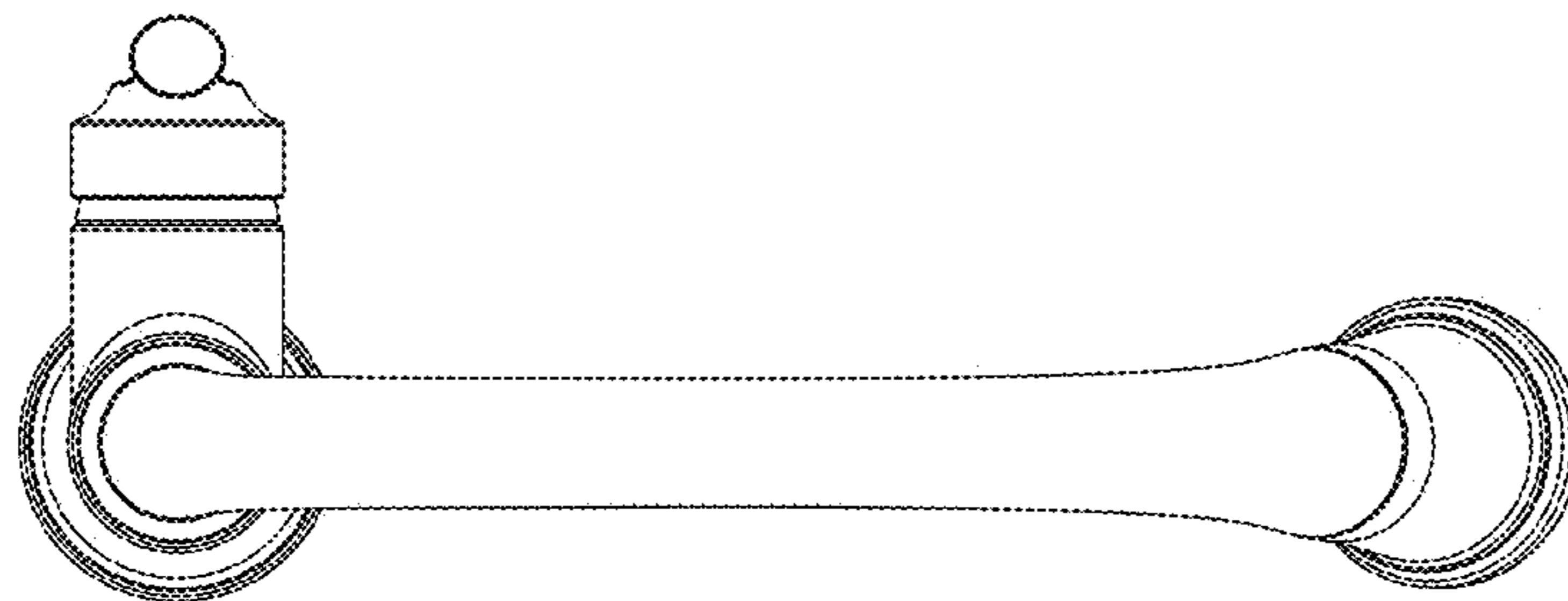


FIG - 7