

US00D962388S

(12) **United States Design Patent** (10) **Patent No.:** **US D962,388 S**
Wynalda, Jr. (45) **Date of Patent:** **** Aug. 30, 2022**

(54) **ELECTROSTATIC DISINFECTING SPRAYER**

(71) Applicant: **WYNDSCENT, LLC**, Belmont, MI (US)

(72) Inventor: **Robert M. Wynalda, Jr.**, Comstock Park, MI (US)

(73) Assignee: **Electrimist, LLC**, Belmont, MI (US)

(**) Term: **15 Years**

(21) Appl. No.: **29/749,975**

(22) Filed: **Sep. 10, 2020**

(51) **LOC (13) Cl.** **23-01**

(52) **U.S. Cl.**
USPC **D23/223**

(58) **Field of Classification Search**
USPC D23/208, 213, 214, 223, 225, 226;
D32/18, 21, 24
CPC .. B05B 5/00; B05B 5/025; B05B 5/03; B05B 5/035; B05B 5/16; B05B 5/1691; B05B 7/00; B05B 7/02; B05B 7/12; B05B 7/129; B05B 7/24; B05B 7/2464; B05B 7/2475; B05B 9/00; B05B 9/005; B05B 9/01; B05B 9/0403; B05B 9/0426; B05B 9/08; B05B 9/085; B05B 9/0861; B05B 12/002

See application file for complete search history.

(56) **References Cited**

U.S. PATENT DOCUMENTS

3,947,659	A	3/1976	Ono	
D271,613	S *	11/1983	Watkins	D23/225
D302,876	S *	8/1989	Ikeda	D32/18
D334,972	S *	4/1993	Berfield	D23/225
D524,404	S	7/2006	Mineau et al.	
D619,215	S	7/2010	Havlovitz et al.	
D660,527	S *	5/2012	Kawase	D32/18
D743,000	S *	11/2015	Moya	D23/225
D770,015	S	10/2016	Wright	

D809,100	S *	1/2018	Hong	D8/2
9,878,337	B1 *	1/2018	Hong	B05B 7/0075
D812,327	S *	3/2018	Houghton	D32/18
D865,304	S *	10/2019	Sugie	D32/18
D922,523	S *	6/2021	Havlovitz	D23/223
11,167,300	B1	11/2021	Leifeste et al.	
2010/0006671	A1	1/2010	Seabase et al.	
2012/0006431	A1	1/2012	Gilpatrick	
2016/0236217	A1	8/2016	Jenkins	
2016/0303335	A1 *	10/2016	Hong	A61M 15/0025

(Continued)

OTHER PUBLICATIONS

Ryobi Cordless Fogger-Mister, Jan. 1, 2019, Home Depot, site visited Apr. 11, 2022: <https://www.homedepot.com/p/RYOBI-ONE-18V-Cordless-Battery-Fogger-Mister-with-2-0-Ah-Battery-and-Charger-P2850/307244559> (Year: 2019).*

(Continued)

Primary Examiner — Jack Reickel
Assistant Examiner — Bobby W Jones, II
(74) *Attorney, Agent, or Firm* — Fred Zollinger

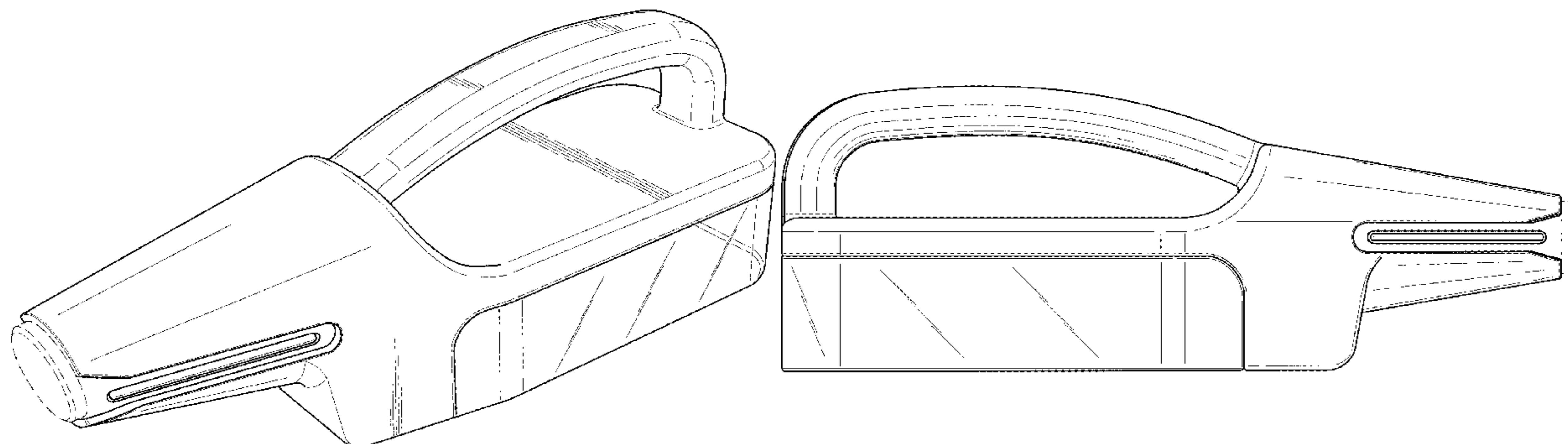
(57) **CLAIM**

The ornamental design for an electrostatic disinfecting sprayer, as shown and described.

DESCRIPTION

FIG. 1 is a front, top right perspective view of an electrostatic disinfecting sprayer showing my new design. FIG. 2 is a rear, right, top perspective view thereof. FIG. 3 is a front elevation view thereof. FIG. 4 is a rear elevation view thereof. FIG. 5 is a top plan view thereof. FIG. 6 is a bottom plan view thereof. FIG. 7 is a left side elevation view thereof; and, FIG. 8 is a right side elevation view thereof. The subject matter depicted in broken lines forms no part of the claimed design.

1 Claim, 7 Drawing Sheets



(56)

References Cited

U.S. PATENT DOCUMENTS

2017/0291181 A1 10/2017 Wright
2017/0320078 A1 11/2017 Jordan et al.
2018/0051964 A1 2/2018 Forsythe et al.
2020/0056721 A1* 2/2020 Lam B05B 7/0815
2020/0121867 A1 4/2020 Wright
2022/0016656 A1 1/2022 Helmberger et al.

OTHER PUBLICATIONS

Black-Decker Dustbuster, Oct. 3, 2019, Amazon, site visited Apr. 11, 2022: <https://www.amazon.com/dp/B07T17TDLR/> (Year: 2019).*

Wynalda, U.S. Appl. No. 29/743,342, filed Jul. 21, 2020.

Victory Innovations Cordless Electrostatic Handheld Sprayer, Jan. 16, 2017, Amazon, site visited Apr. 11, 2022: <https://www.amazon.com/dp/B0754SXWTS/> (Year: 2017).

ProMist Nano Steam Gun, Jul. 9, 2020, YouTube, site visited Apr. 11, 2022: <https://www.youtube.com/watch?v=BvR4BT9-SJo> (Year: 2020).

* cited by examiner

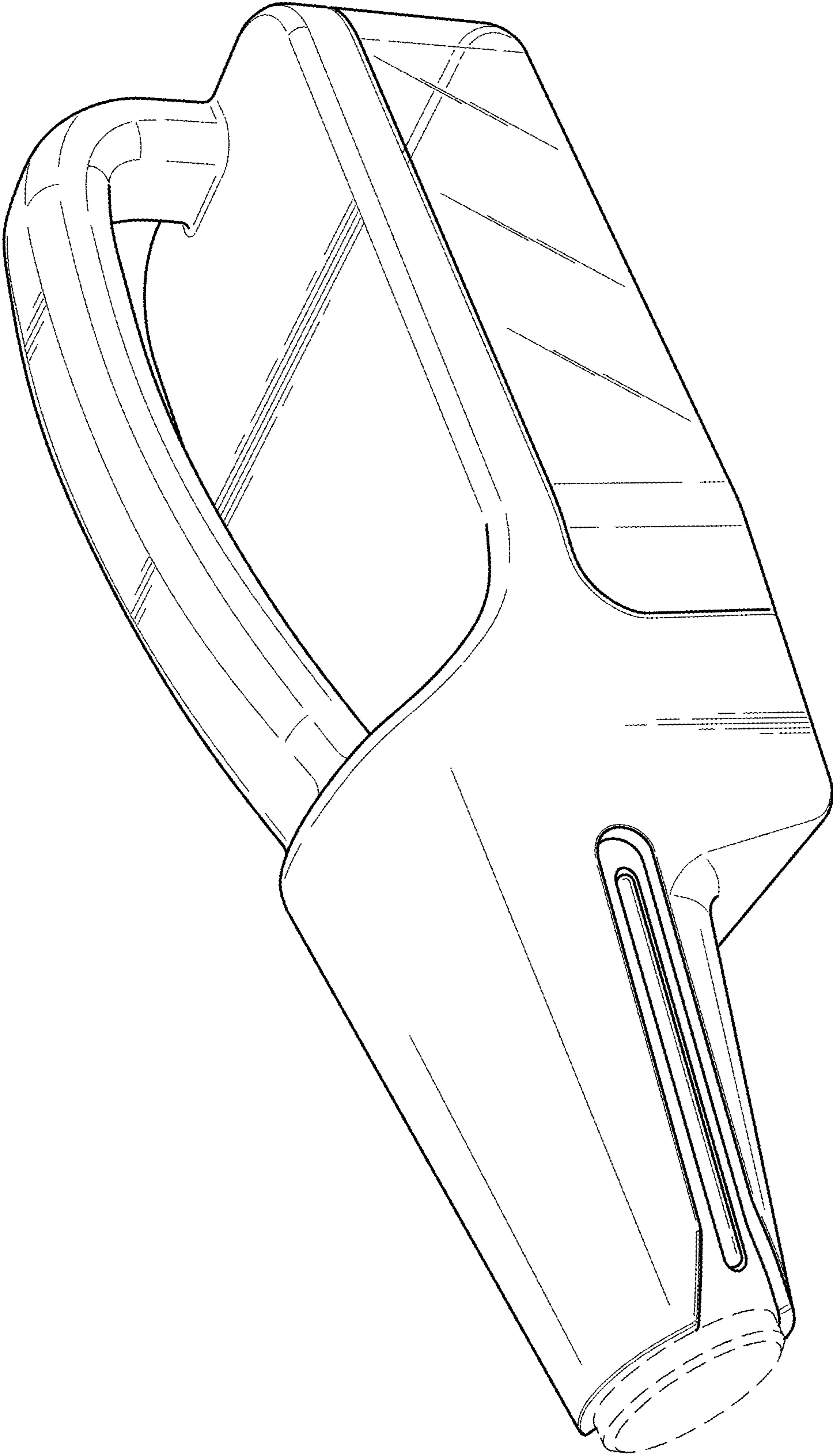


FIG. 1

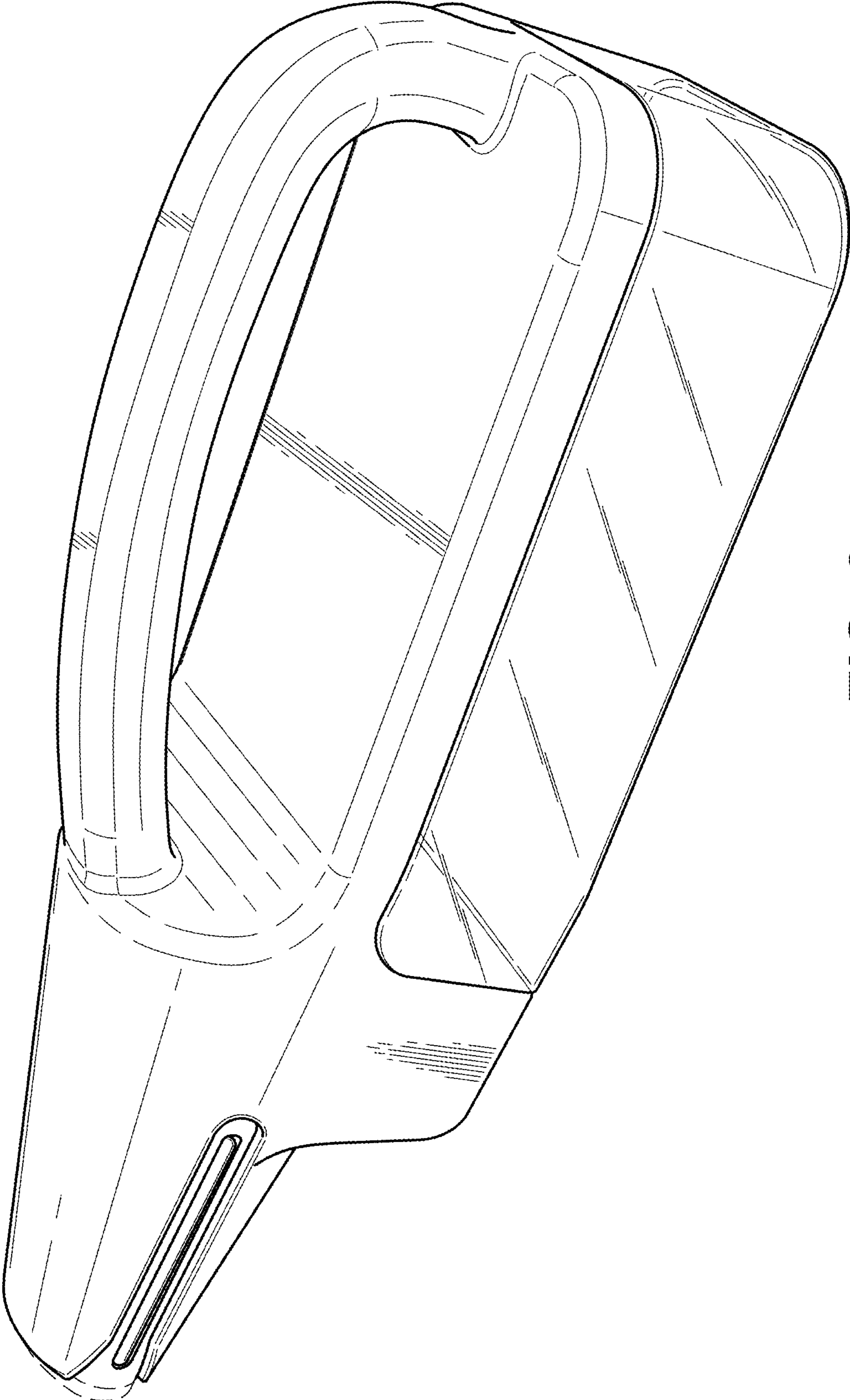


FIG. 2

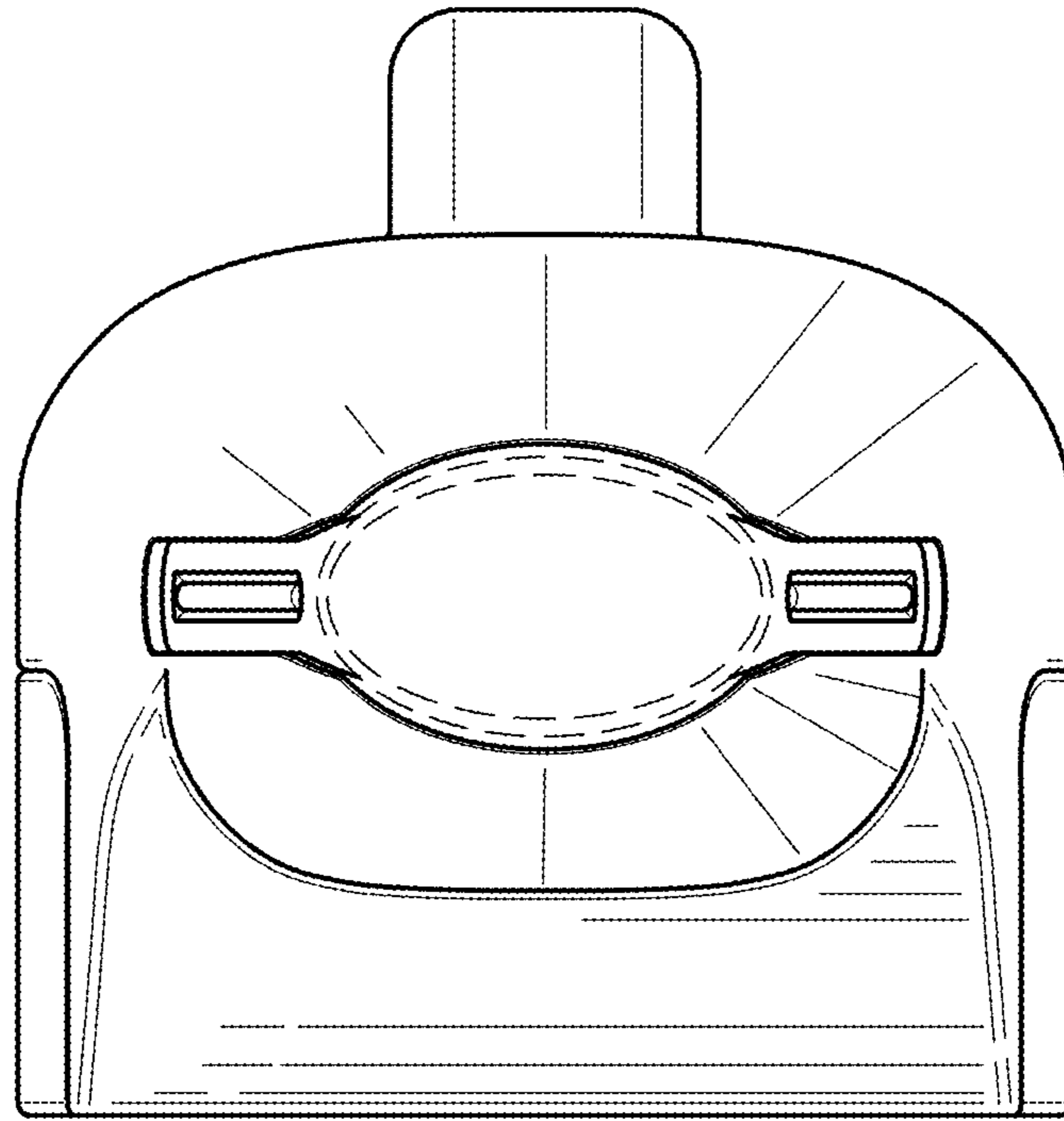


FIG. 3

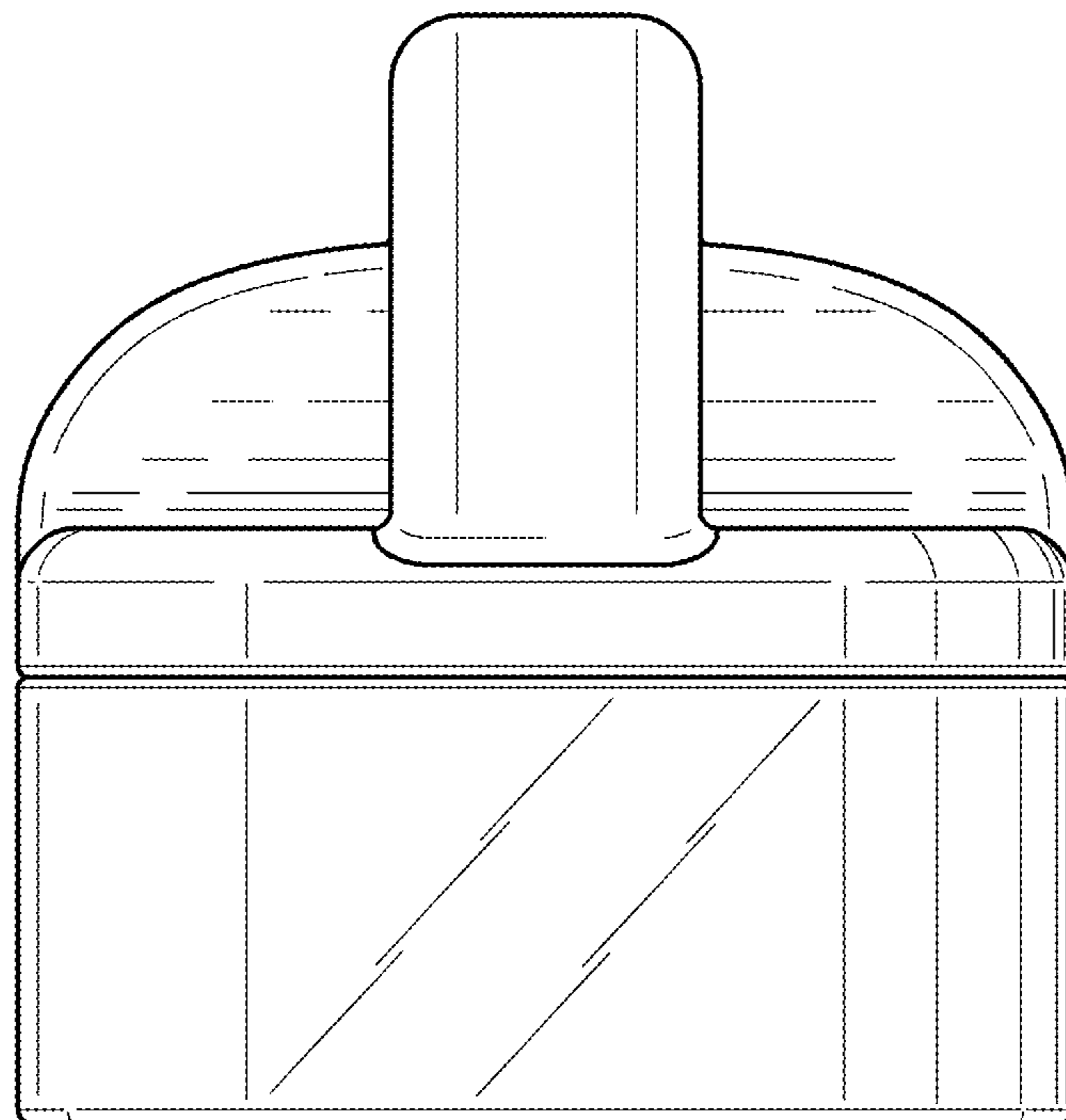


FIG. 4

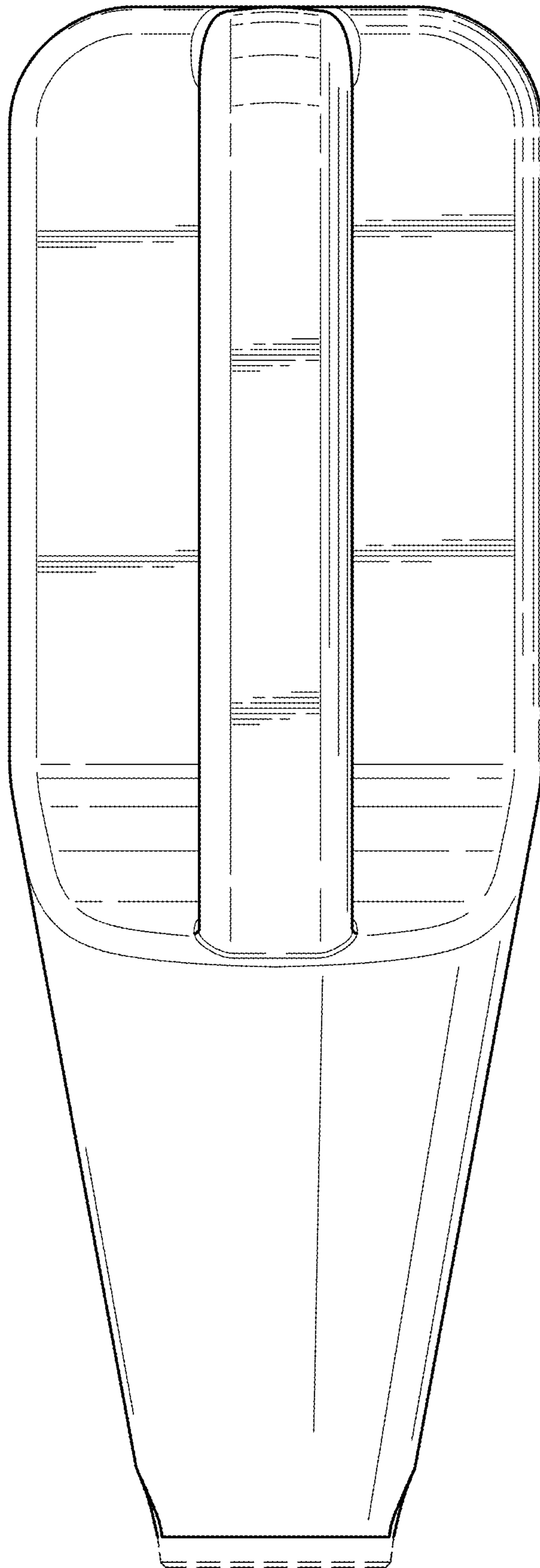


FIG. 5

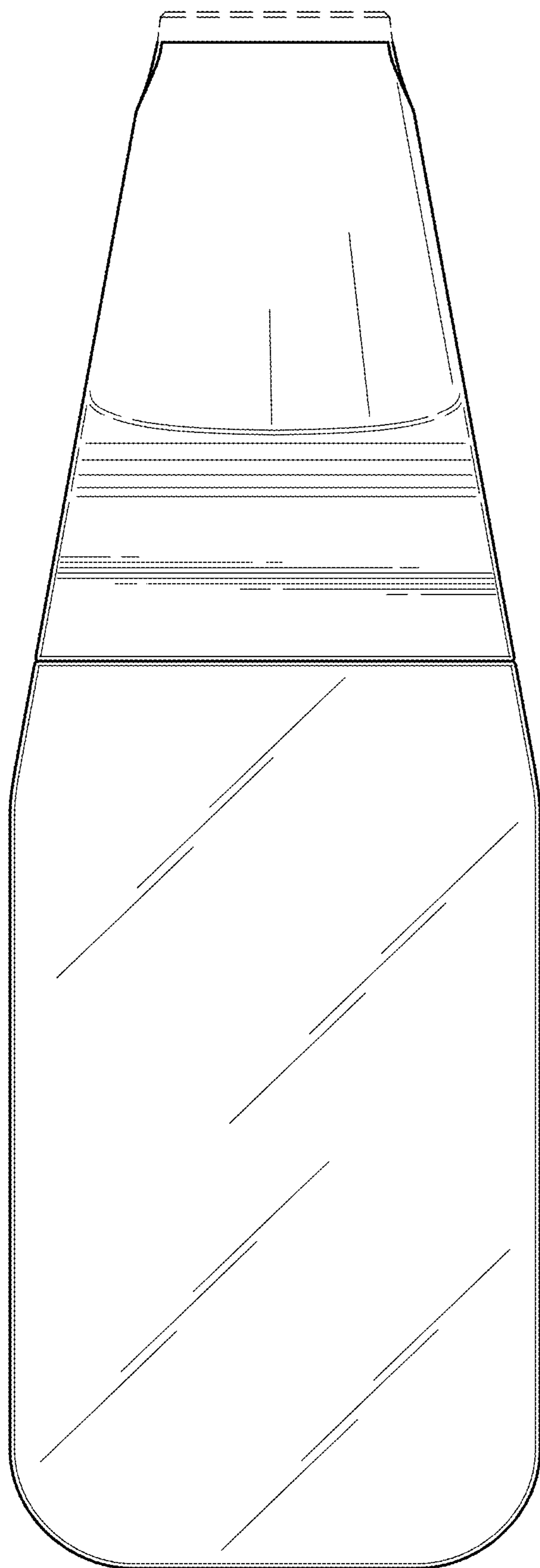


FIG. 6

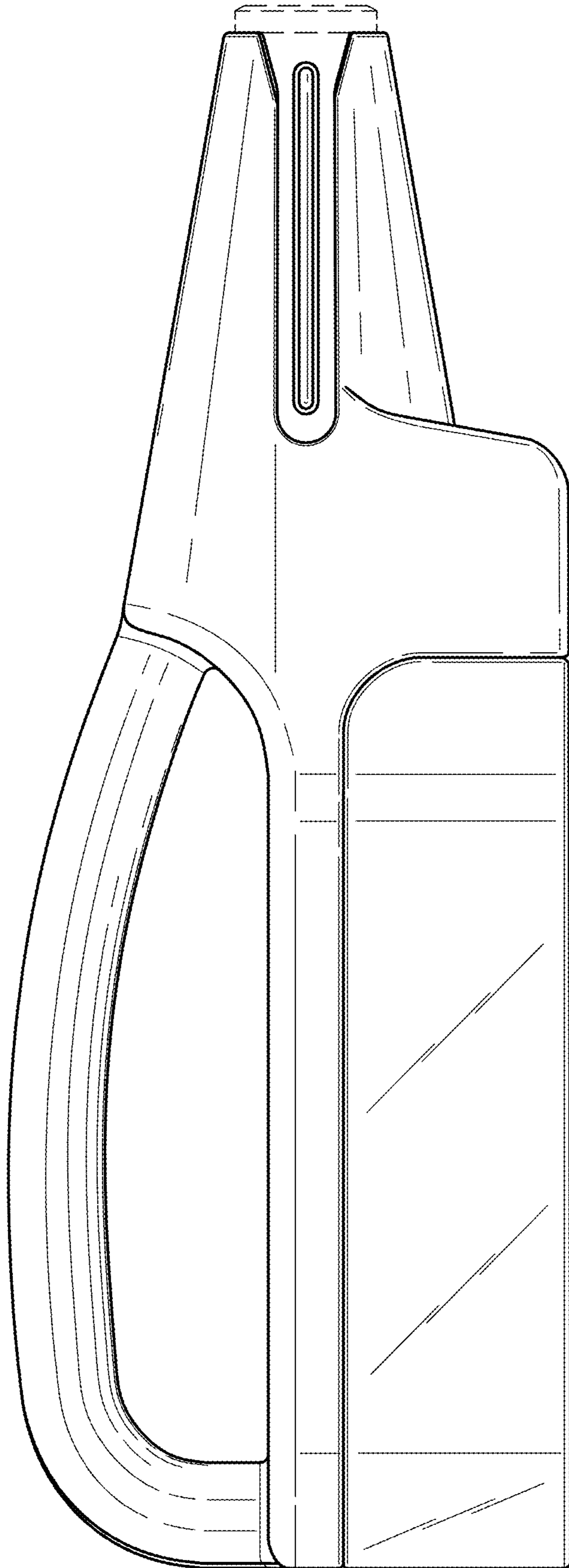


FIG. 7

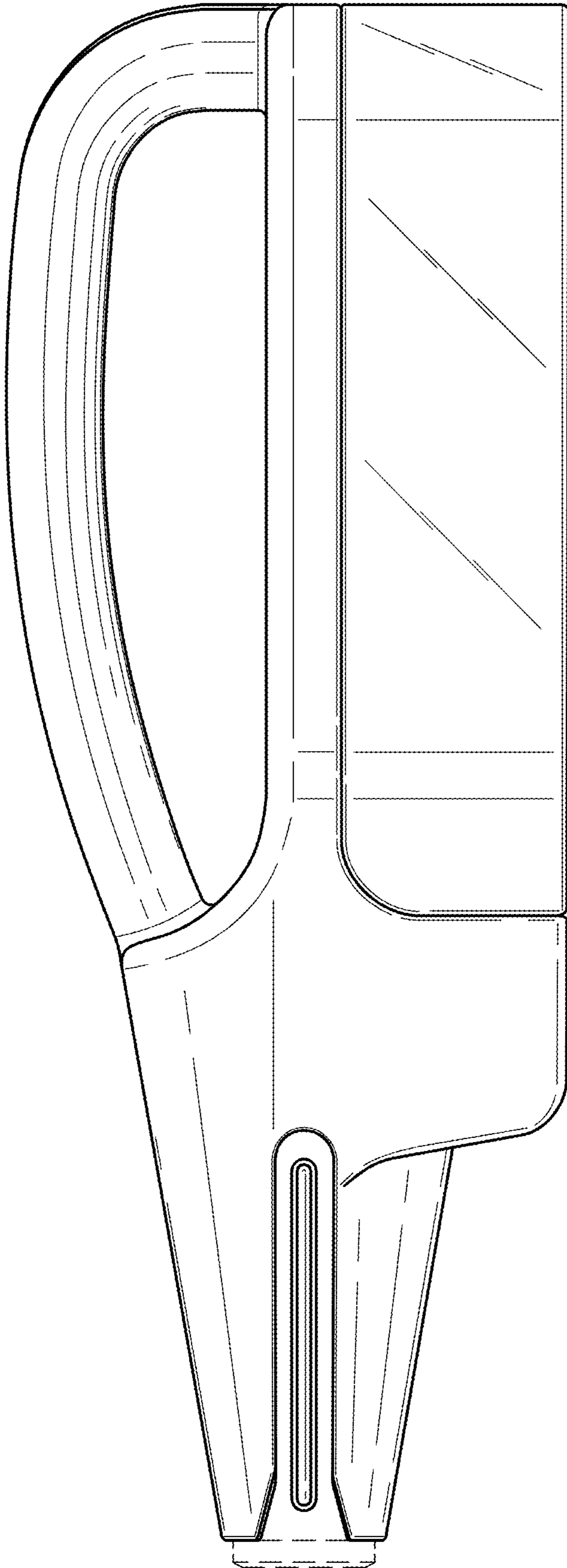


FIG. 8