



US00D962387S

(12) **United States Design Patent**
Wynalda, Jr.

(10) **Patent No.:** **US D962,387 S**

(45) **Date of Patent:** **** Aug. 30, 2022**

(54) **ELECTROSTATIC DISINFECTING SPRAYER**

(71) Applicant: **WYNDSCENT, LLC**, Belmont, MI (US)

(72) Inventor: **Robert M. Wynalda, Jr.**, Comstock Park, MI (US)

(73) Assignee: **Electrimist, LLC**, Belmont, MI (US)

(**) Term: **15 Years**

(21) Appl. No.: **29/743,342**

(22) Filed: **Jul. 21, 2020**

(51) **LOC (13) Cl.** **23-01**

(52) **U.S. Cl.**
USPC **D23/223**

(58) **Field of Classification Search**
USPC D23/208, 213, 214, 223, 225, 226;
D32/18, 21, 24
CPC .. B05B 5/00; B05B 5/025; B05B 5/03; B05B
5/035; B05B 5/16; B05B 5/1691; B05B
7/00; B05B 7/02; B05B 7/12; B05B
7/129; B05B 7/24; B05B 7/2464; B05B
7/2475; B05B 9/00; B05B 9/005; B05B
9/01; B05B 9/0403; B05B 9/0426; B05B
9/08; B05B 9/085; B05B 9/0861; B05B
12/002

See application file for complete search history.

(56) **References Cited**

U.S. PATENT DOCUMENTS

3,947,659 A *	3/1976	Ono	A45D 20/00 392/404
D271,613 S	11/1983	Watkins		
D302,876 S	8/1989	Ikeda et al.		
D334,972 S	4/1993	Berfield et al.		
D524,404 S *	7/2006	Mineau	D23/213
D619,215 S *	7/2010	Havlovitz	D23/225
D660,527 S	5/2012	Kawase et al.		
D743,000 S	11/2015	Moya et al.		

(Continued)

OTHER PUBLICATIONS

Victory Innovations Cordless Electrostatic Handheld Sprayer, Jan. 16, 2017, Amazon, site visited Apr. 11, 2022: <https://www.amazon.com/dp/B0754SXWTS/> (Year: 2017).*

(Continued)

Primary Examiner — Jack Reickel

Assistant Examiner — Bobby W Jones, II

(74) *Attorney, Agent, or Firm* — Fred Zollinger

(57) **CLAIM**

The ornamental design for an electrostatic disinfecting sprayer, as shown and described.

DESCRIPTION

FIG. 1 is a front, top left perspective view of a first embodiment of the electrostatic disinfecting sprayer showing my new design.

FIG. 2 is a rear, right, top perspective view thereof.

FIG. 3 is a front elevation view thereof.

FIG. 4 is a rear elevation view thereof.

FIG. 5 is a top plan view thereof.

FIG. 6 is a bottom plan view thereof.

FIG. 7 is a left side elevation view thereof.

FIG. 8 is a right side elevation view thereof.

FIG. 9 is a front, top left perspective view of a second embodiment of the electrostatic disinfecting sprayer showing my new design.

FIG. 10 is a rear, right, top perspective view thereof.

FIG. 11 is a front elevation view thereof.

FIG. 12 is a rear elevation view thereof.

FIG. 13 is a top plan view thereof.

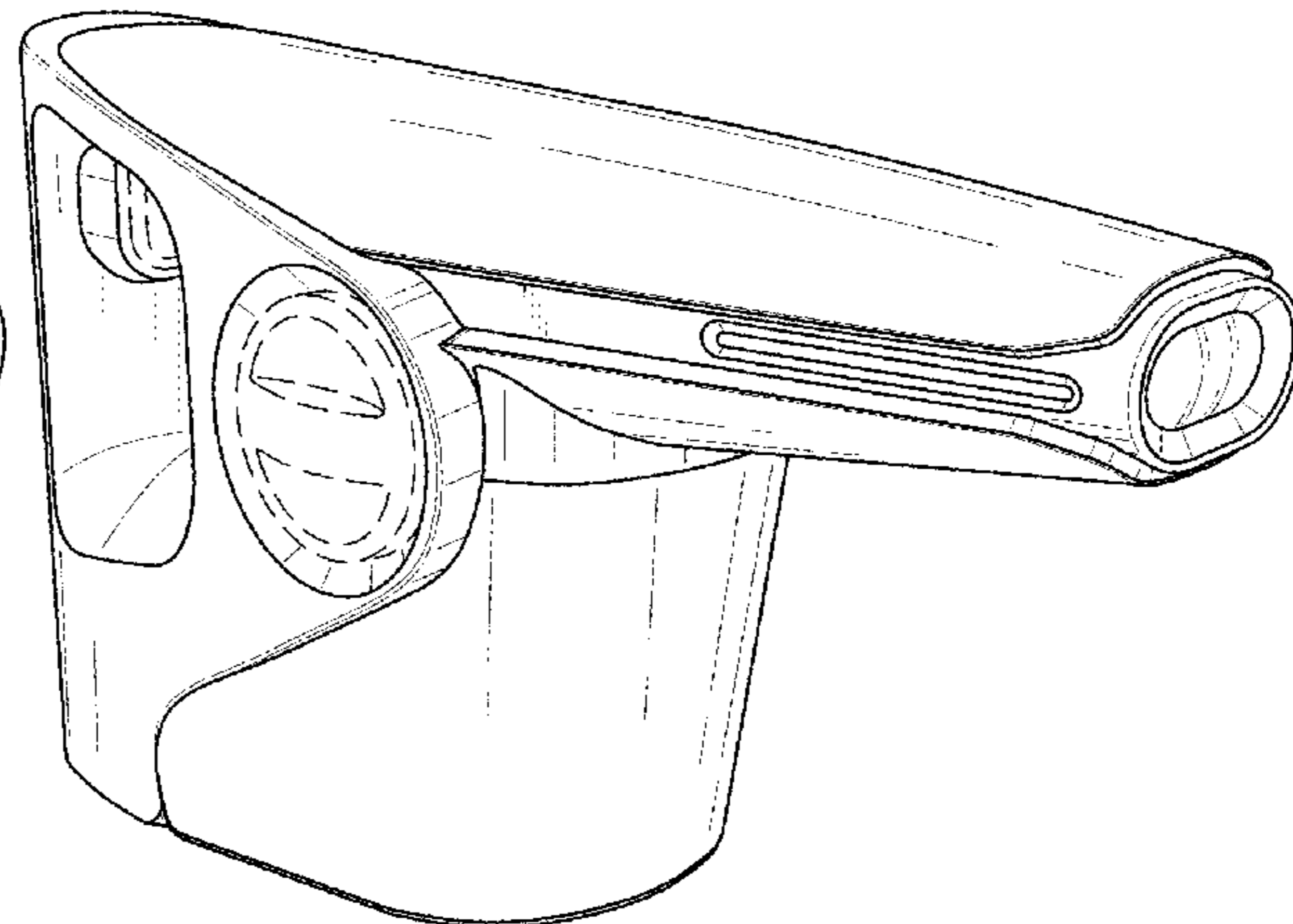
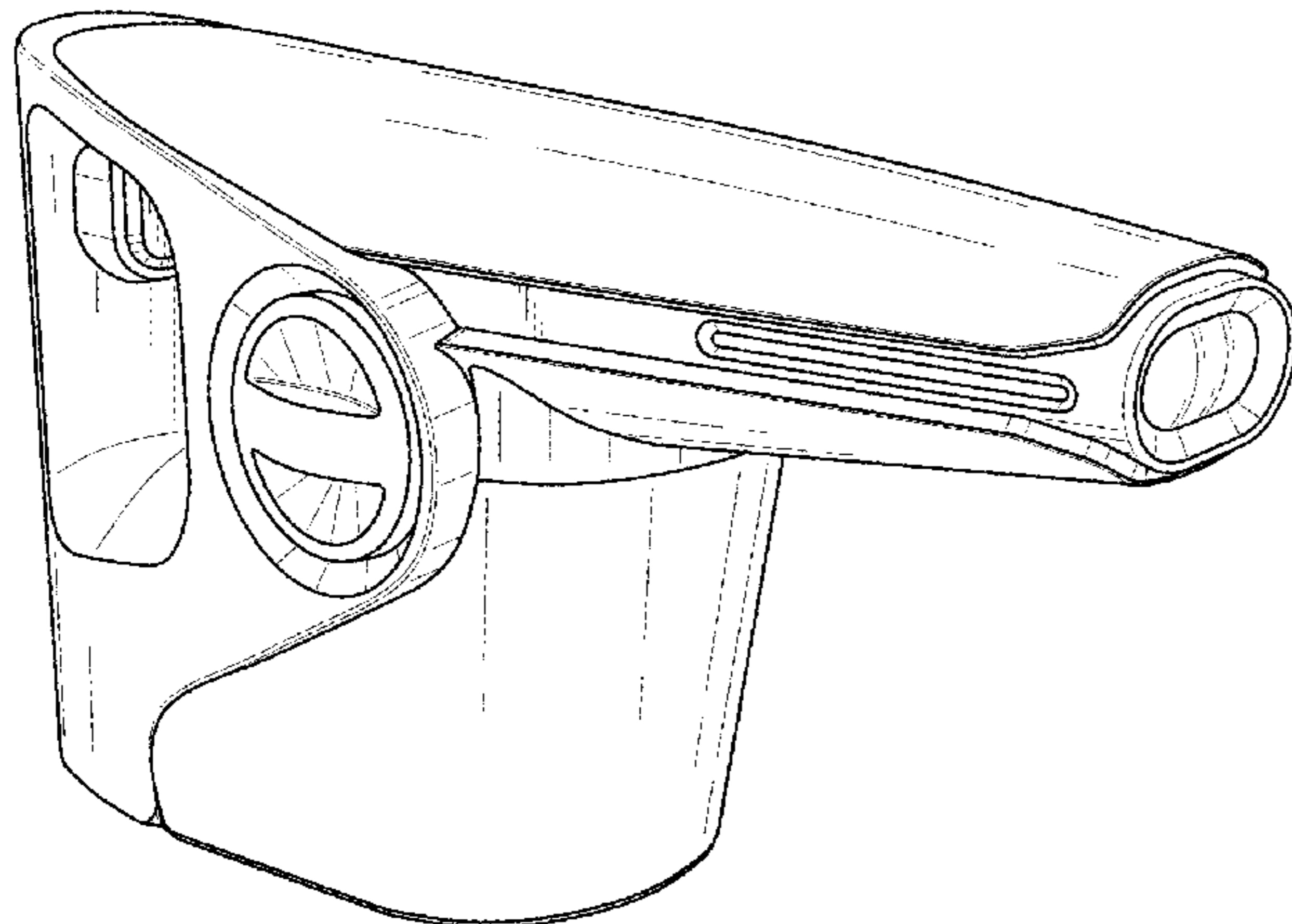
FIG. 14 is a bottom plan view thereof.

FIG. 15 is a left side elevation view thereof; and,

FIG. 16 is a right side elevation view thereof.

The subject matter depicted in broken lines forms no part of the claimed design.

1 Claim, 14 Drawing Sheets



(56)

References Cited

U.S. PATENT DOCUMENTS

D770,015 S * 10/2016 Wright D23/223
D809,100 S 1/2018 Hong
9,878,337 B1 1/2018 Hong
D812,327 S 3/2018 Houghton
D865,304 S 10/2019 Sugie et al.
D922,523 S 6/2021 Havlovitz et al.
11,167,300 B1 * 11/2021 Leifeste B05B 11/3057
2010/0006671 A1 * 1/2010 Seabase B05B 15/20
239/327
2012/0006431 A1 * 1/2012 Gilpatrick B05B 1/1654
137/565.01
2016/0236217 A1 * 8/2016 Jenkins A47L 11/4005
2016/0303335 A1 10/2016 Hong
2017/0291181 A1 * 10/2017 Wright B05B 9/0861
2017/0320078 A1 * 11/2017 Jordan B05B 7/2416
2018/0051964 A1 * 2/2018 Forsythe B05B 9/0403
2020/0056721 A1 2/2020 Lam
2020/0121867 A1 * 4/2020 Wright B05B 5/0533
2022/0016656 A1 * 1/2022 Helmberger B05B 9/0426

OTHER PUBLICATIONS

ProMist Nano Steam Gun, Jul. 9, 2020, YouTube, site visited Apr. 11, 2022: <https://www.youtube.com/watch?v=BvR4BT9-SJo> (Year: 2020).*

Wynalda, U.S. Appl. No. 29/749,975, filed Sep. 10, 2020.

Ryobi Cordless Fogger-Mister, Jan. 1, 2019, Home Depot, site visited Apr. 11, 2022: <https://www.homedepot.com/p/RYOBI-ONE-18V-Cordless-Battery-Fogger-Mister-with-2-0-Ah-Battery-and-Charger-P2850/307244559> (Year: 2019).

Black-Decker Dustbuster, Oct. 3, 2019, Amazon, site visited Apr. 11, 2022: <https://www.amazon.com/dp/B07T17TDLR/> (Year: 2019).

* cited by examiner

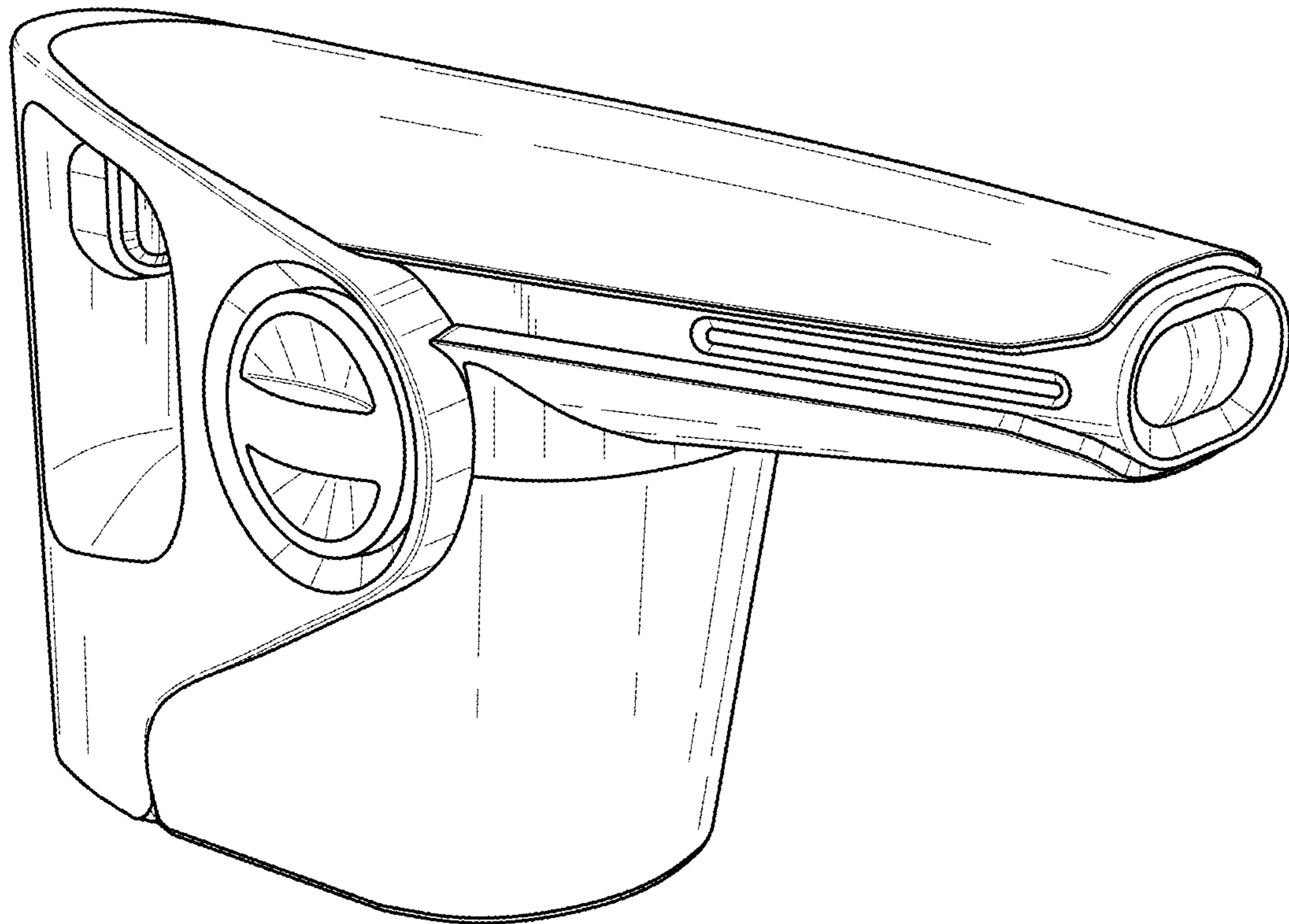


FIG. 1

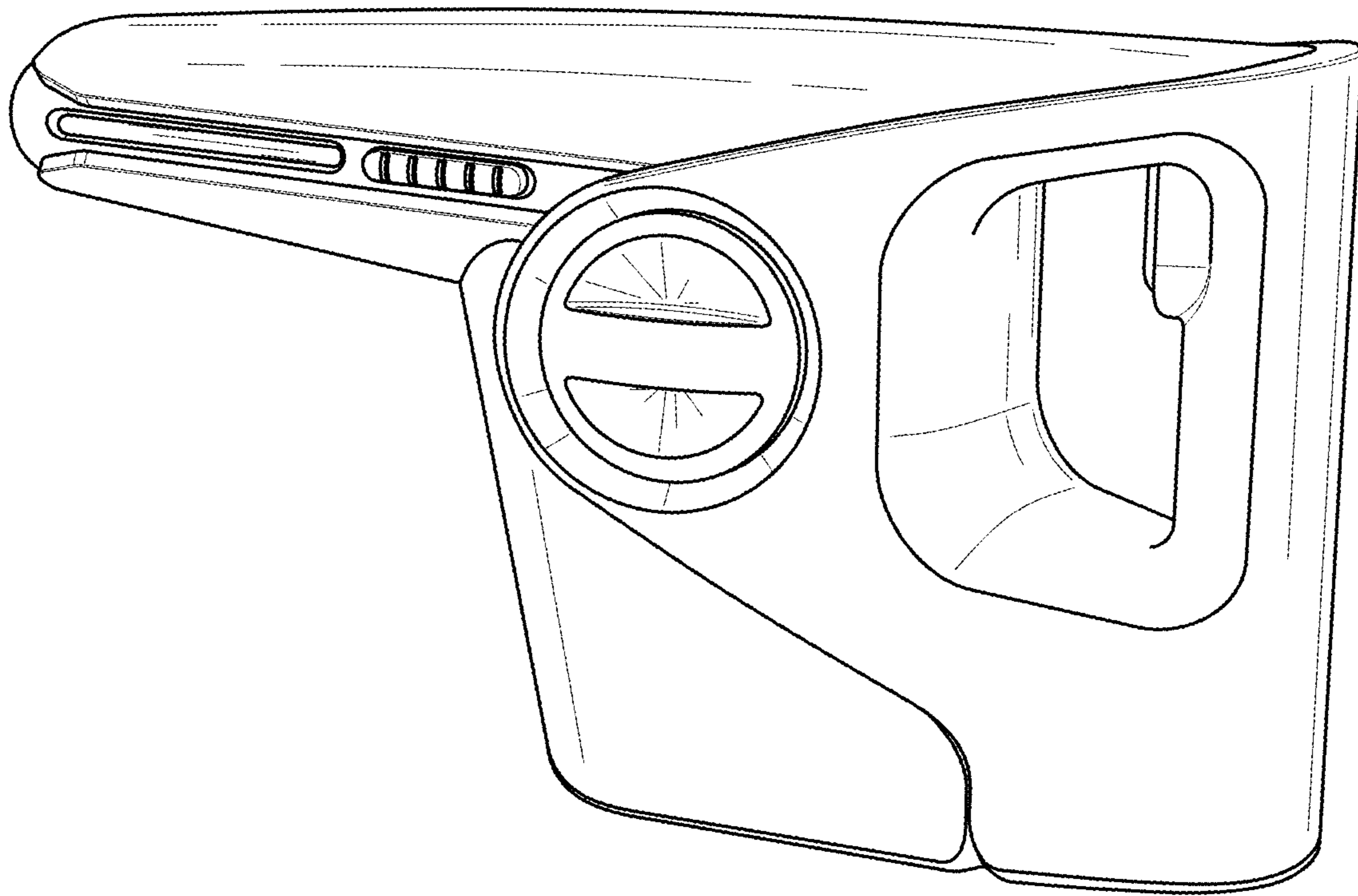


FIG. 2

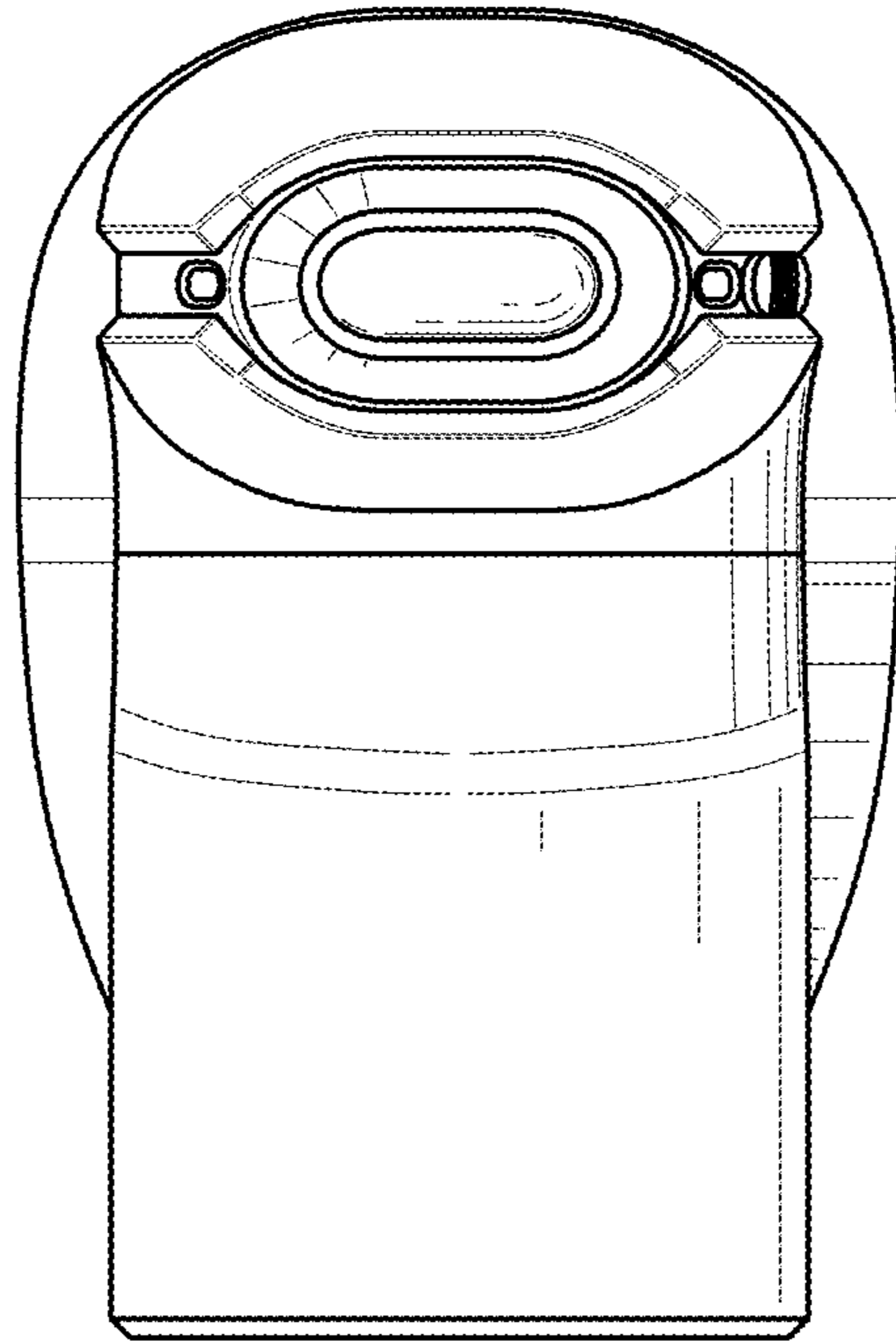


FIG. 3

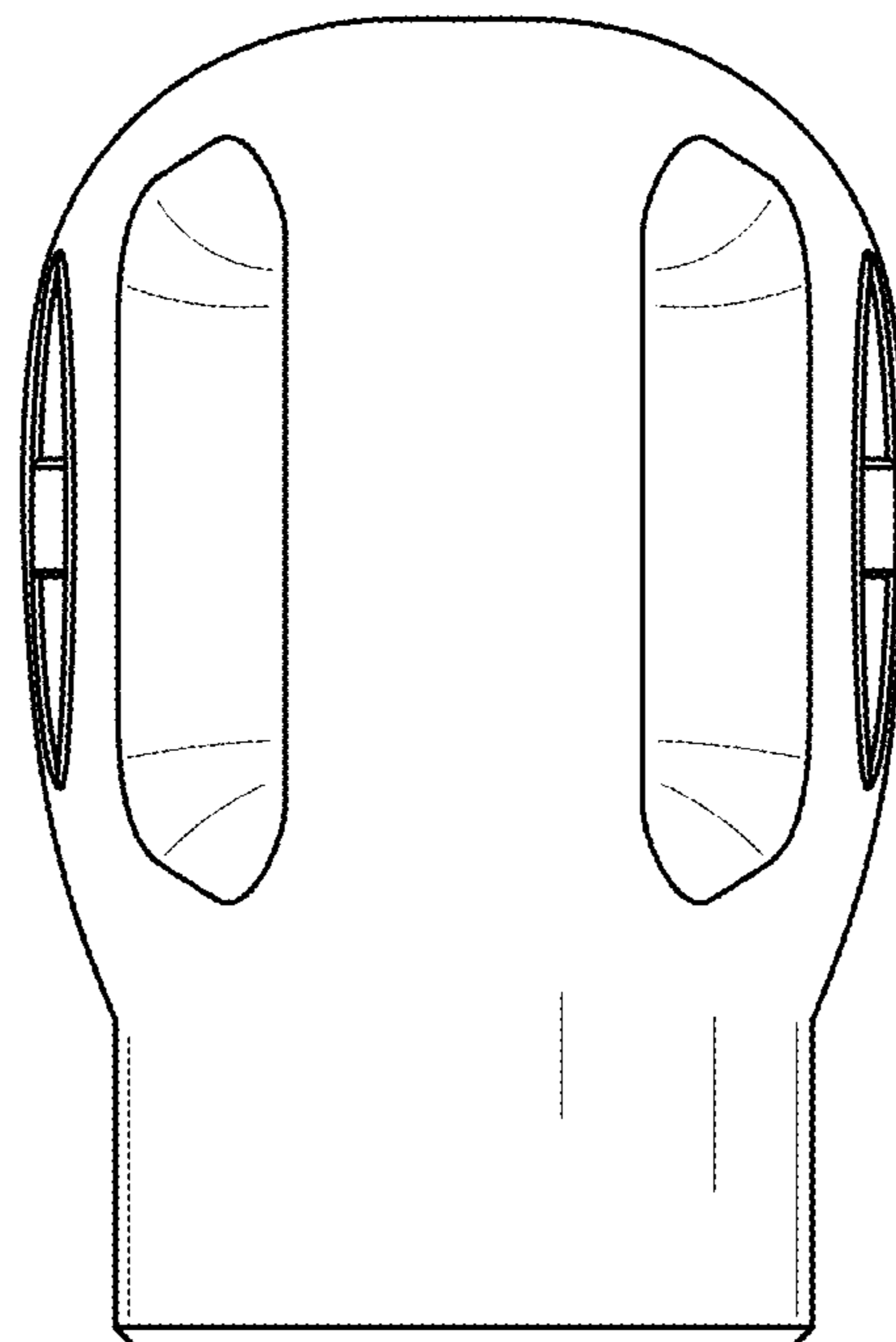


FIG. 4

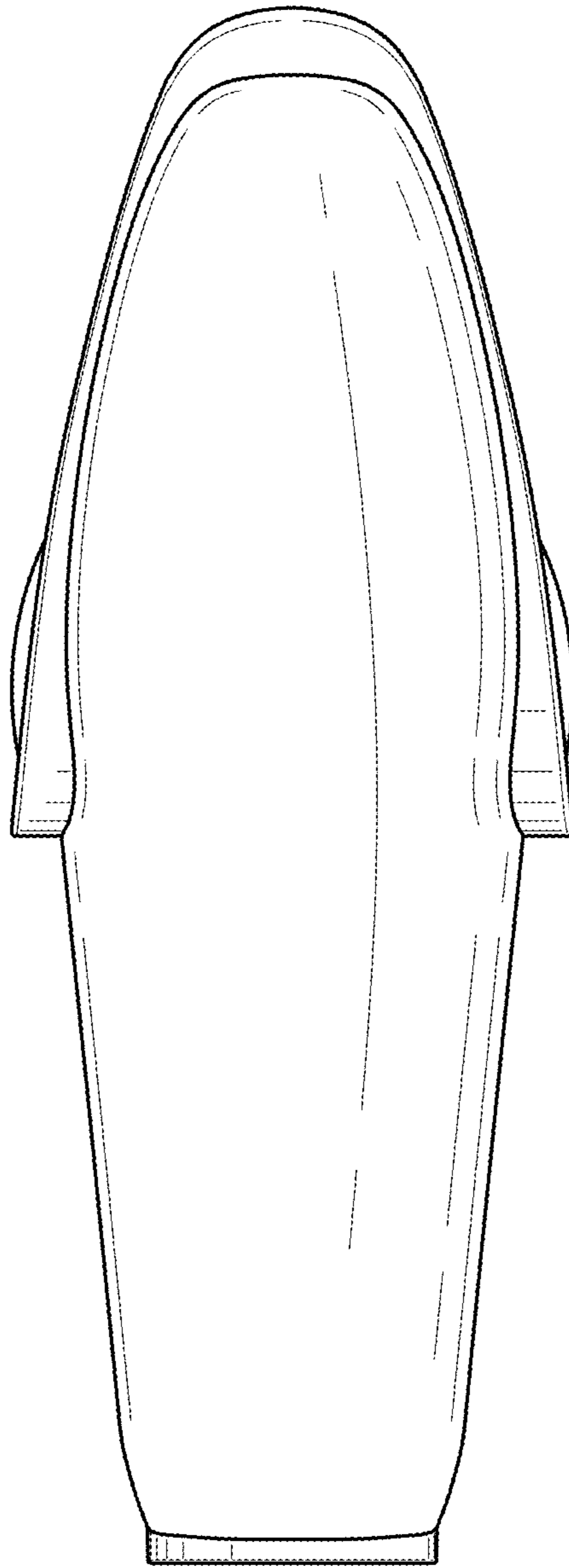


FIG. 5

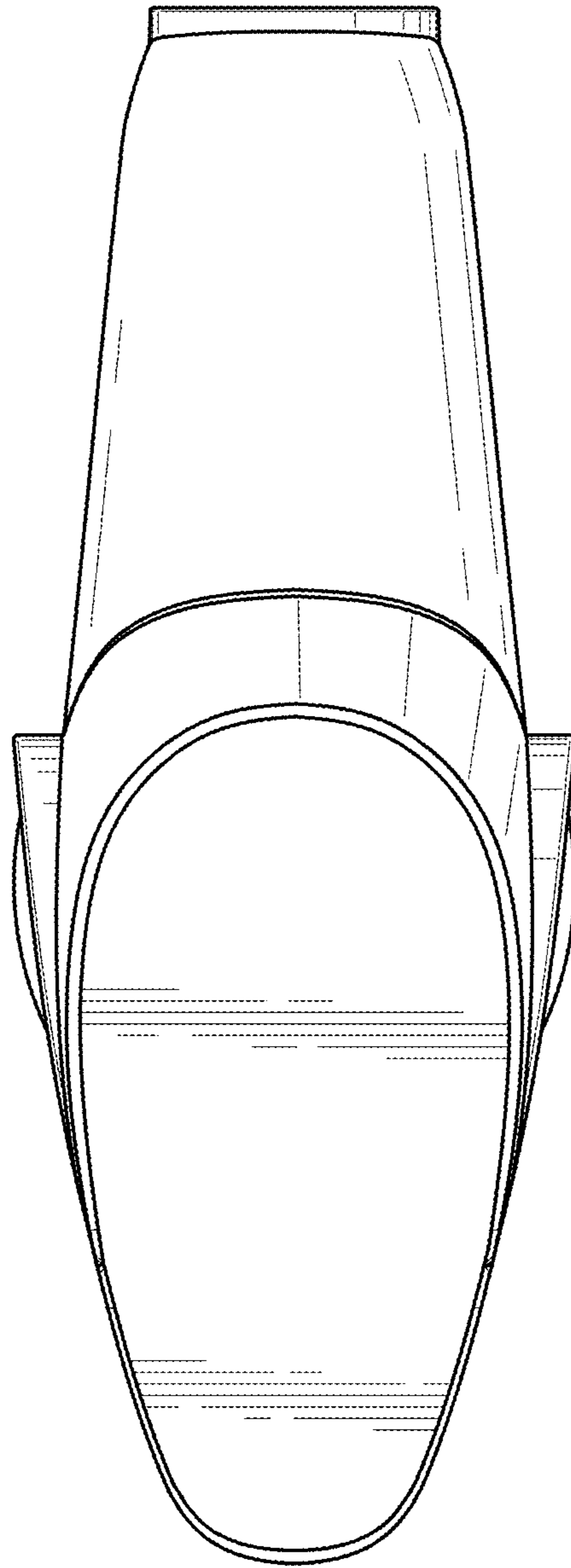


FIG. 6

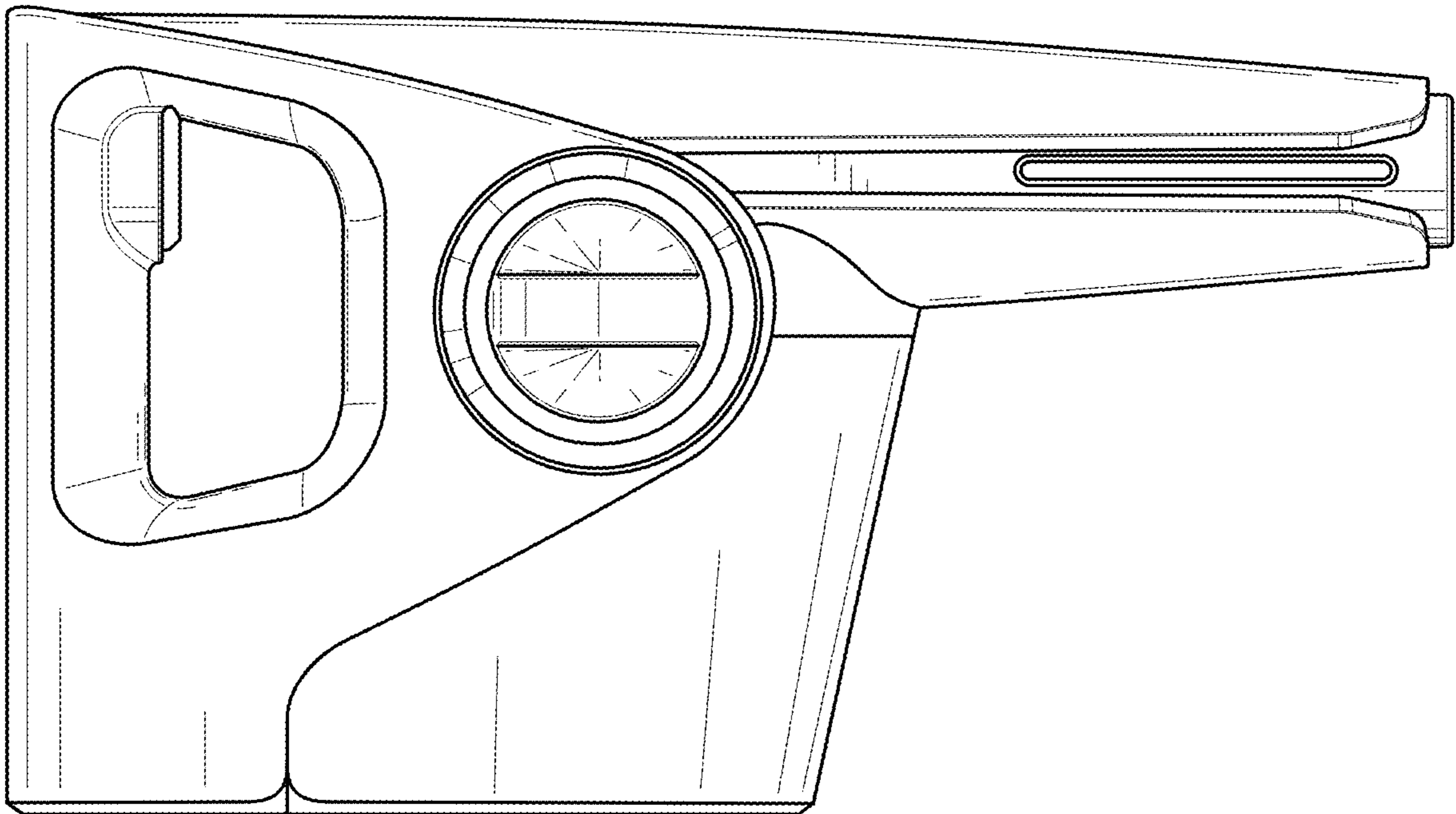


FIG. 7

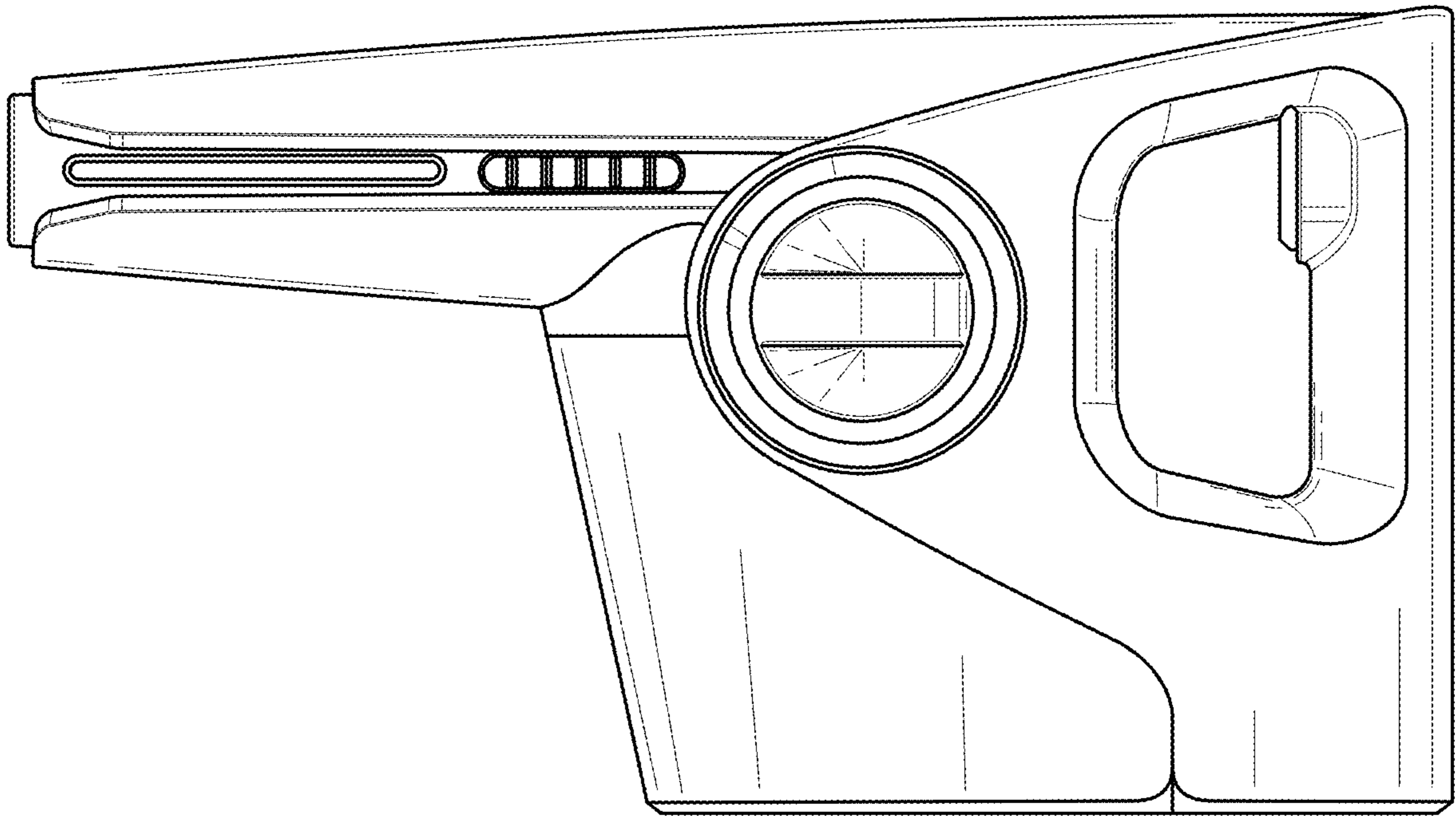


FIG. 8

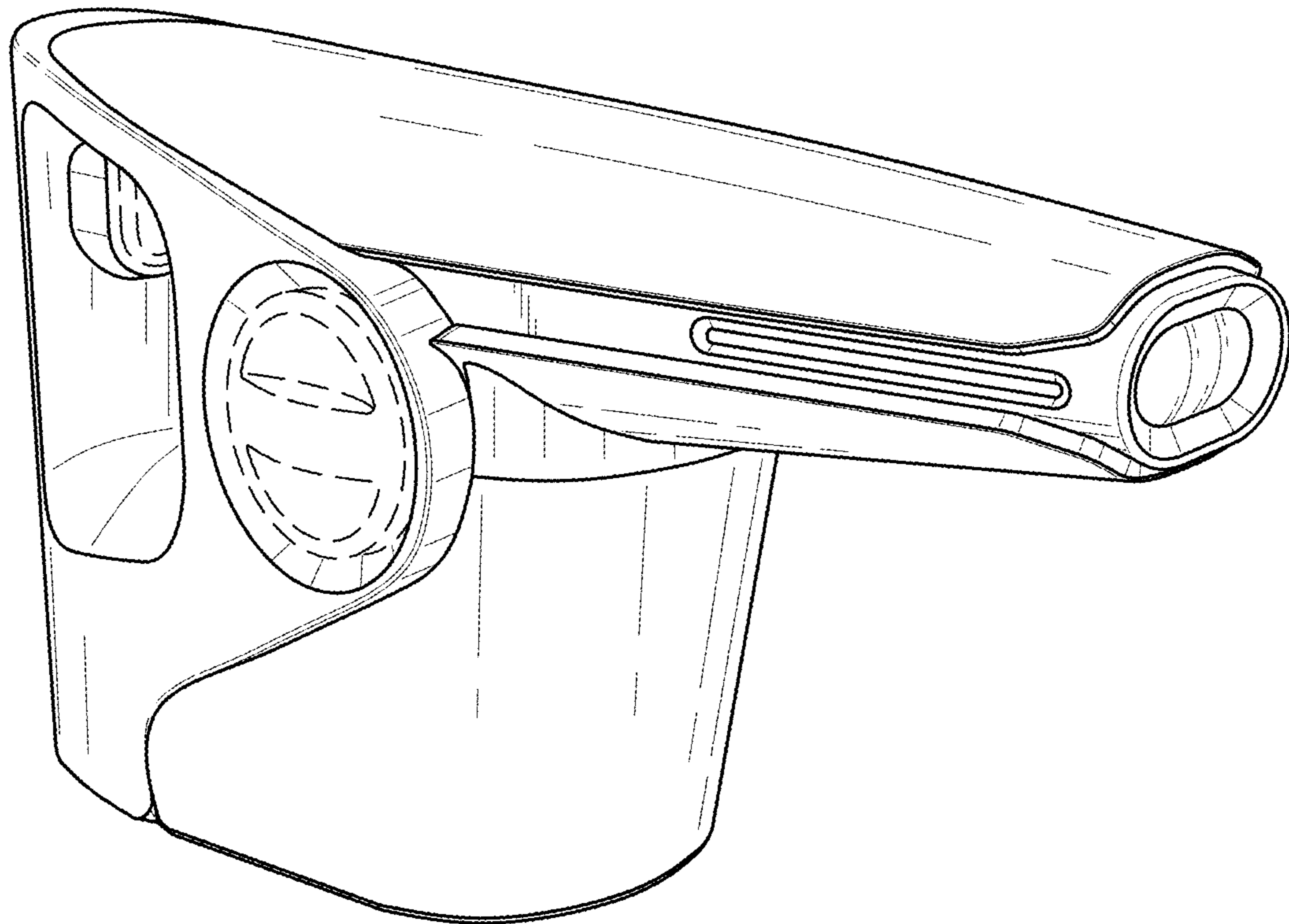


FIG. 9

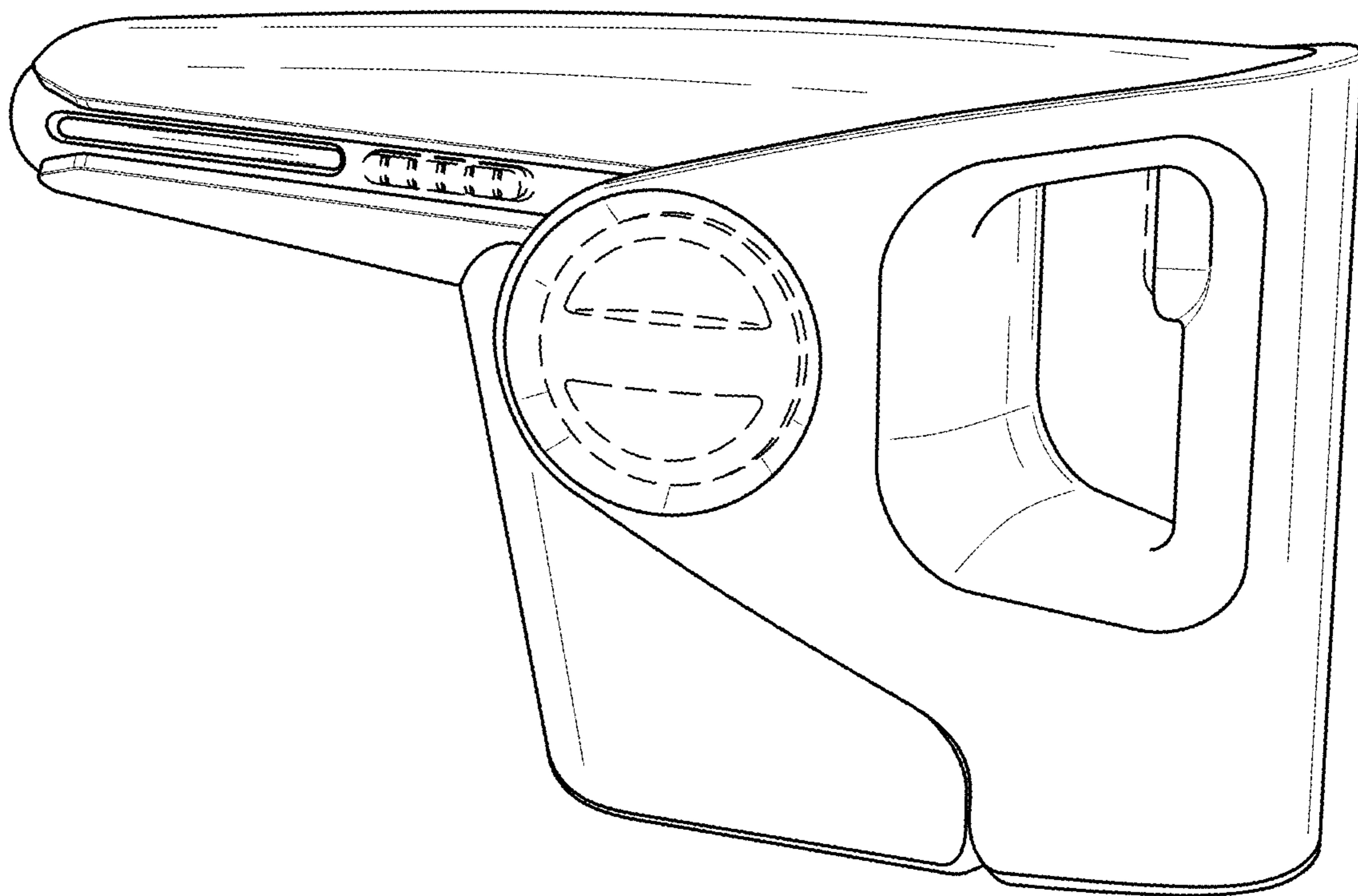


FIG. 10

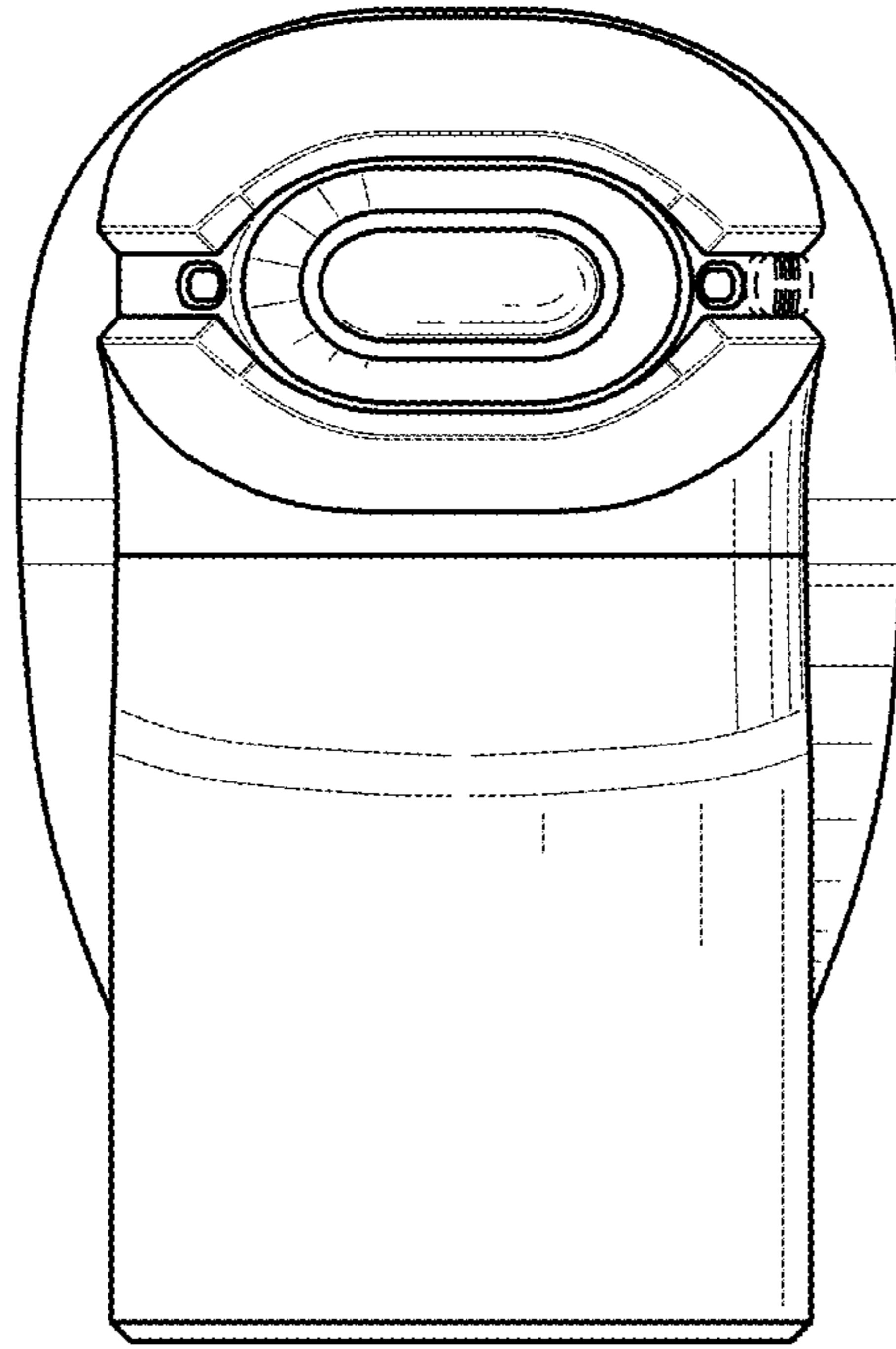


FIG. 11

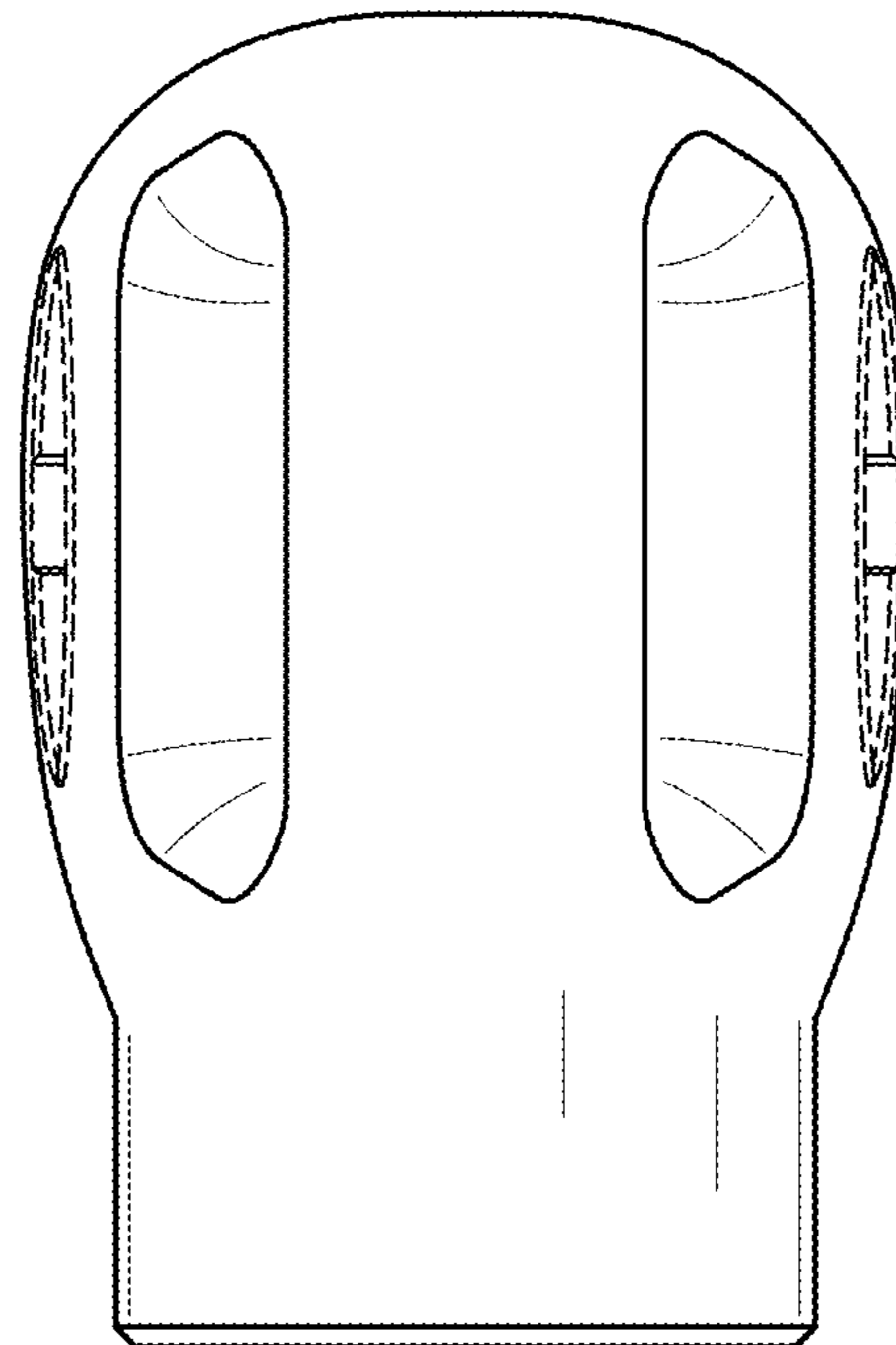


FIG. 12

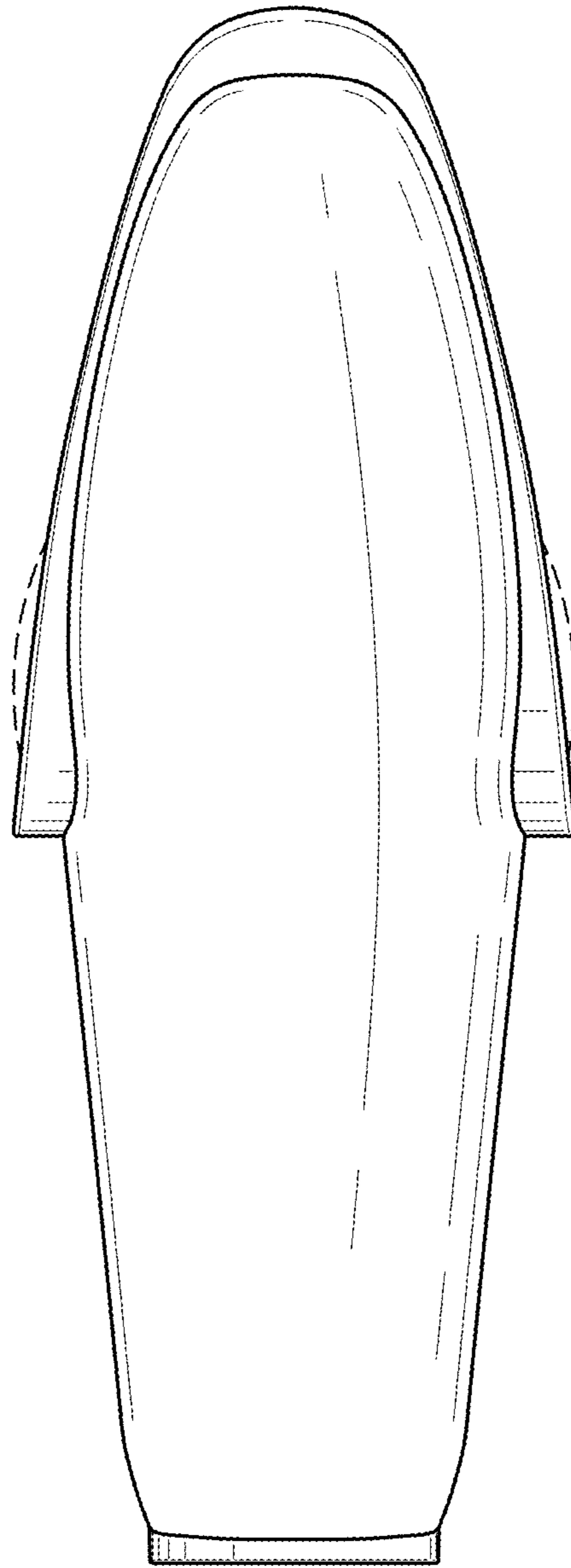


FIG. 13

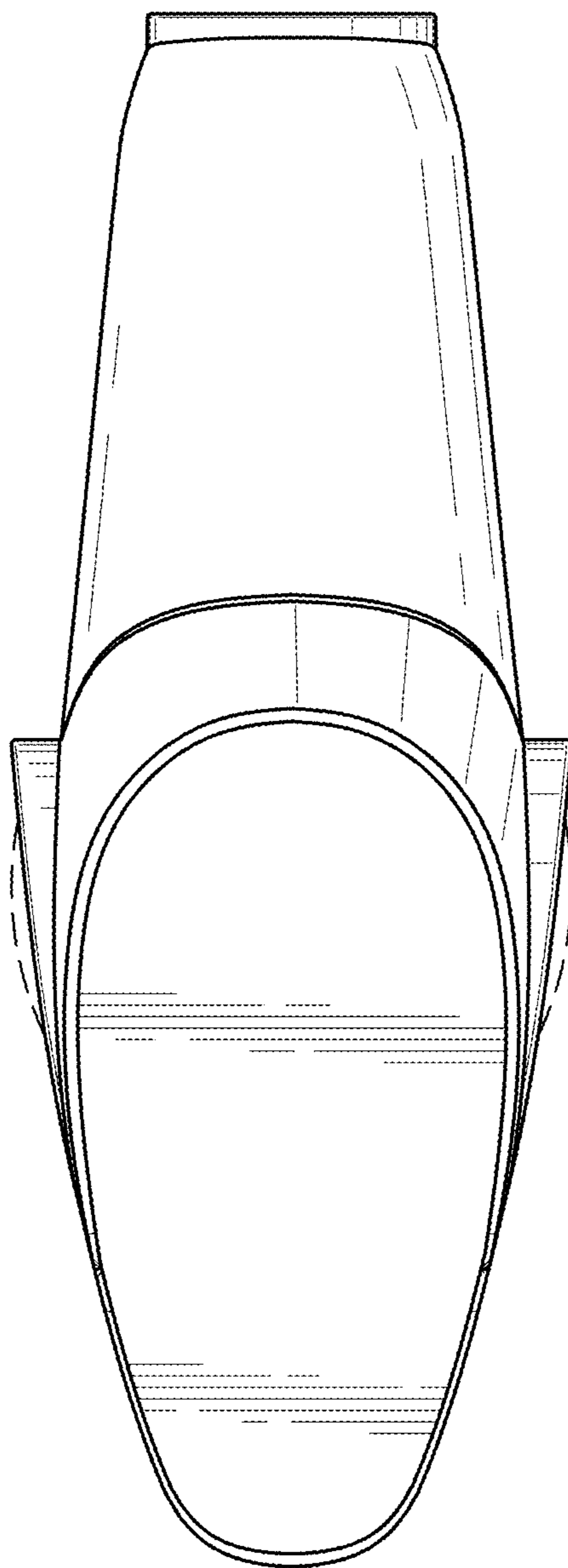


FIG. 14

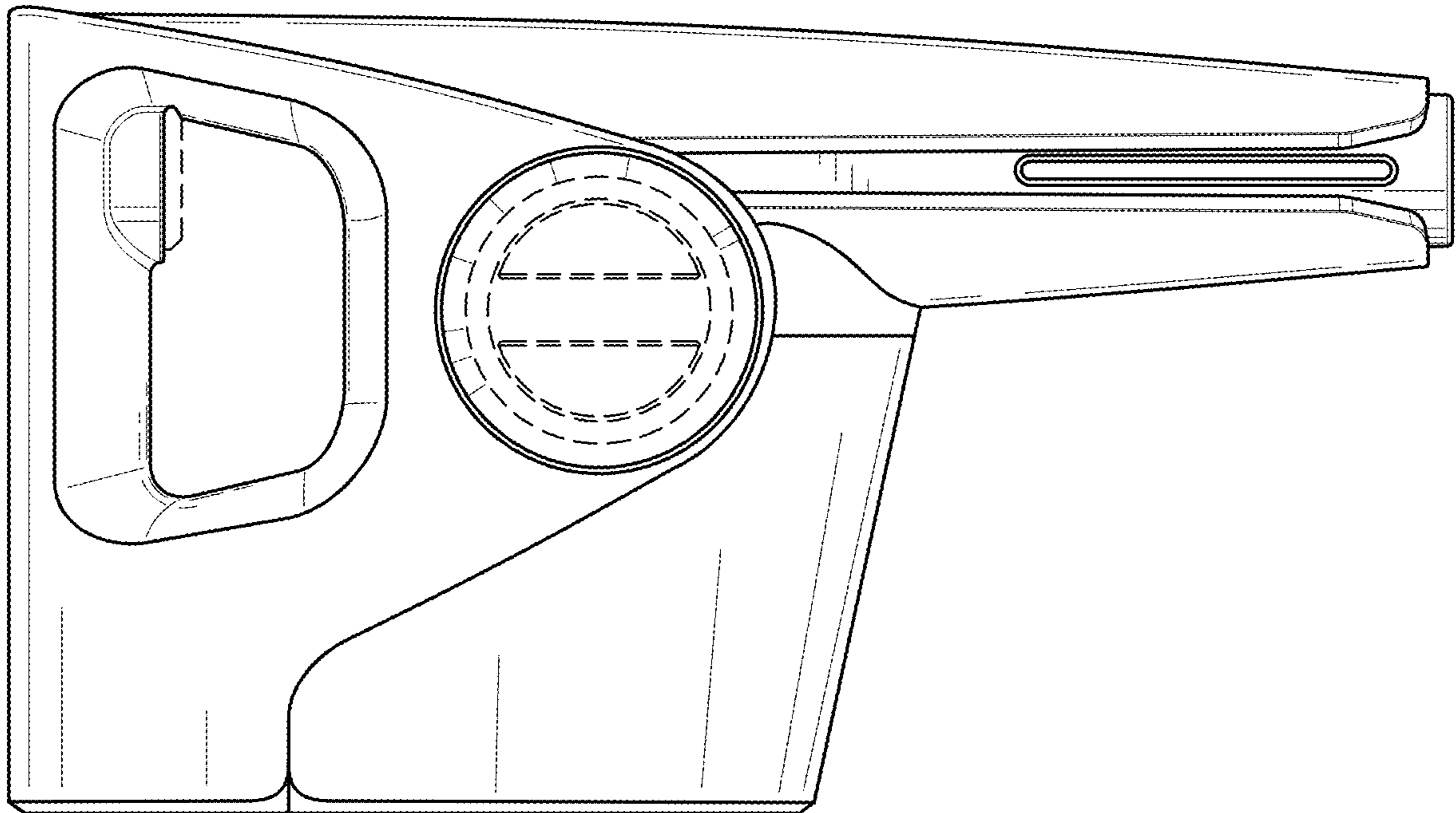


FIG. 15

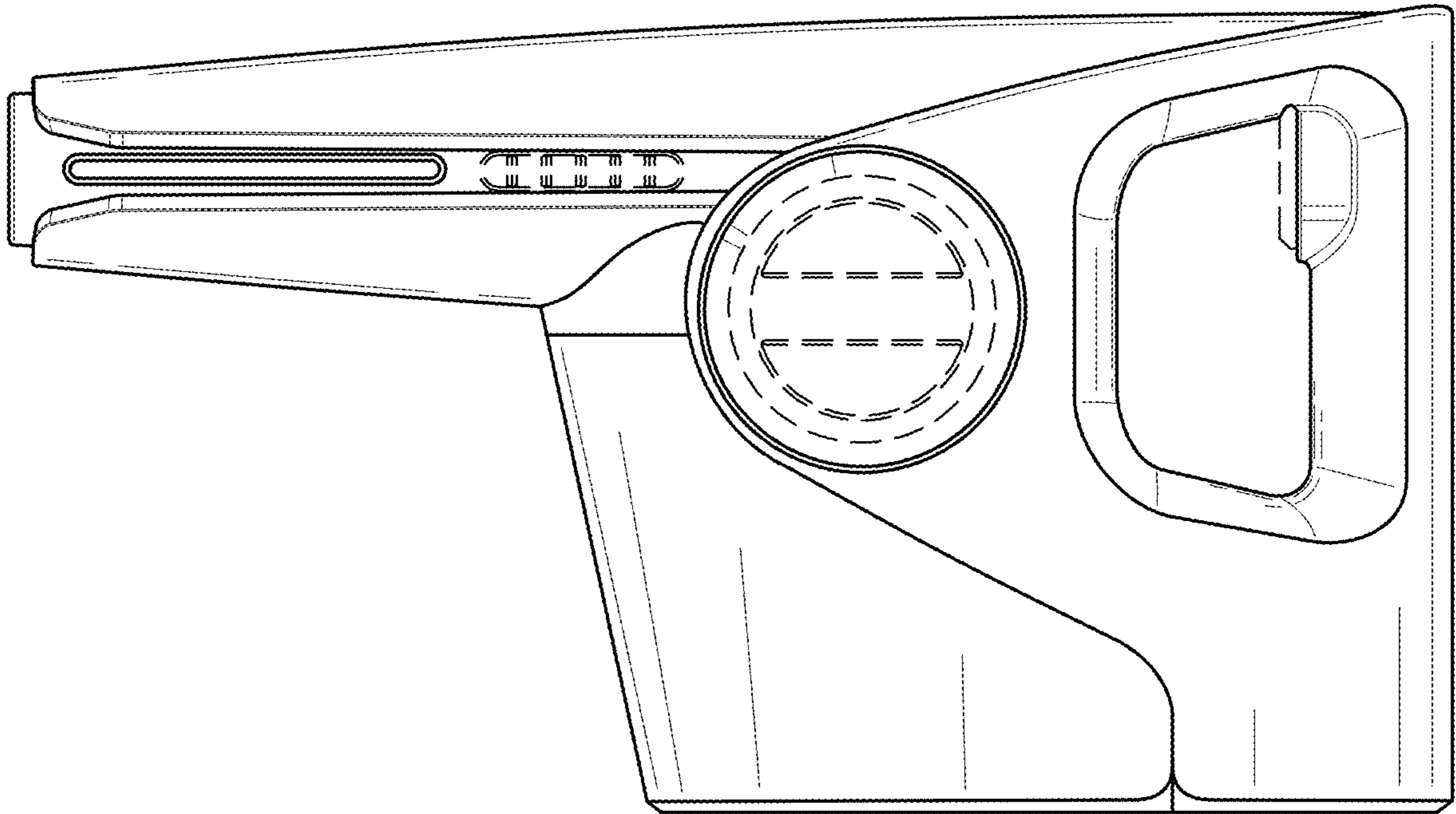


FIG. 16