

US00D962386S

(12) **United States Design Patent** (10) **Patent No.:** **US D962,386 S**  
**Wang** (45) **Date of Patent:** **\*\* Aug. 30, 2022**

13  
(54) **WATER TOY**

10,610,794 B1 \* 4/2020 Ruggiero ..... A63G 31/007  
D896,928 S \* 9/2020 Day ..... D23/261  
D900,267 S \* 10/2020 Zhang ..... E04H 4/0025  
D21/815

(71) Applicant: **Le Wang**, Shenzhen (CN)

(72) Inventor: **Le Wang**, Shenzhen (CN)

(Continued)

(\*\*) Term: **15 Years**

OTHER PUBLICATIONS

(21) Appl. No.: **29/735,843**

Beistle Plastic Novelty Inflatable Shark Party Buffet, Jun. 27, 2016, amazon.ca, Feb. 3, 2022, URL: <https://www.amazon.ca/Beistle-52135-Inflatable-Buffer-Multicolored/dp/B01AGA9HLQ/> (Year: 2016).\*

(22) Filed: **May 26, 2020**

(Continued)

(51) **LOC (13) Cl.** ..... **23-01**

(52) **U.S. Cl.**

USPC ..... **D23/214**

(58) **Field of Classification Search**

USPC ..... D23/213, 214, 215, 222, 223, 224, 226,  
D23/229, 230; D21/815

CPC ..... A61H 9/0021; A61H 33/00; B05B 1/00;  
B05B 1/14; B05B 1/185; B05B 1/08;  
B05B 1/02; B05B 1/26; B05B 12/002;  
B05B 1/18; B05B 9/01

See application file for complete search history.

*Primary Examiner* — Jack Reickel

*Assistant Examiner* — Keith J Wilson

(57)

**CLAIM**

The ornamental design for a water toy, as shown and described.

**DESCRIPTION**

FIG. 1 is a front and top perspective view of a water toy, showing my new design;

FIG. 2 is a rear and bottom perspective view thereof;

FIG. 3 is a front elevational view thereof;

FIG. 4 is a rear elevational view thereof;

FIG. 5 is a left side elevational view thereof;

FIG. 6 is a right side elevational view thereof;

FIG. 7 is a top plan view thereof;

FIG. 8 is a bottom plan view thereof;

FIG. 9 is an enlarged view of a portion indicated in FIG. 1;

FIG. 10 is an enlarged view of a portion indicated in FIG. 2;

and,

FIG. 11 is an enlarged view of a portion indicated in FIG. 4.

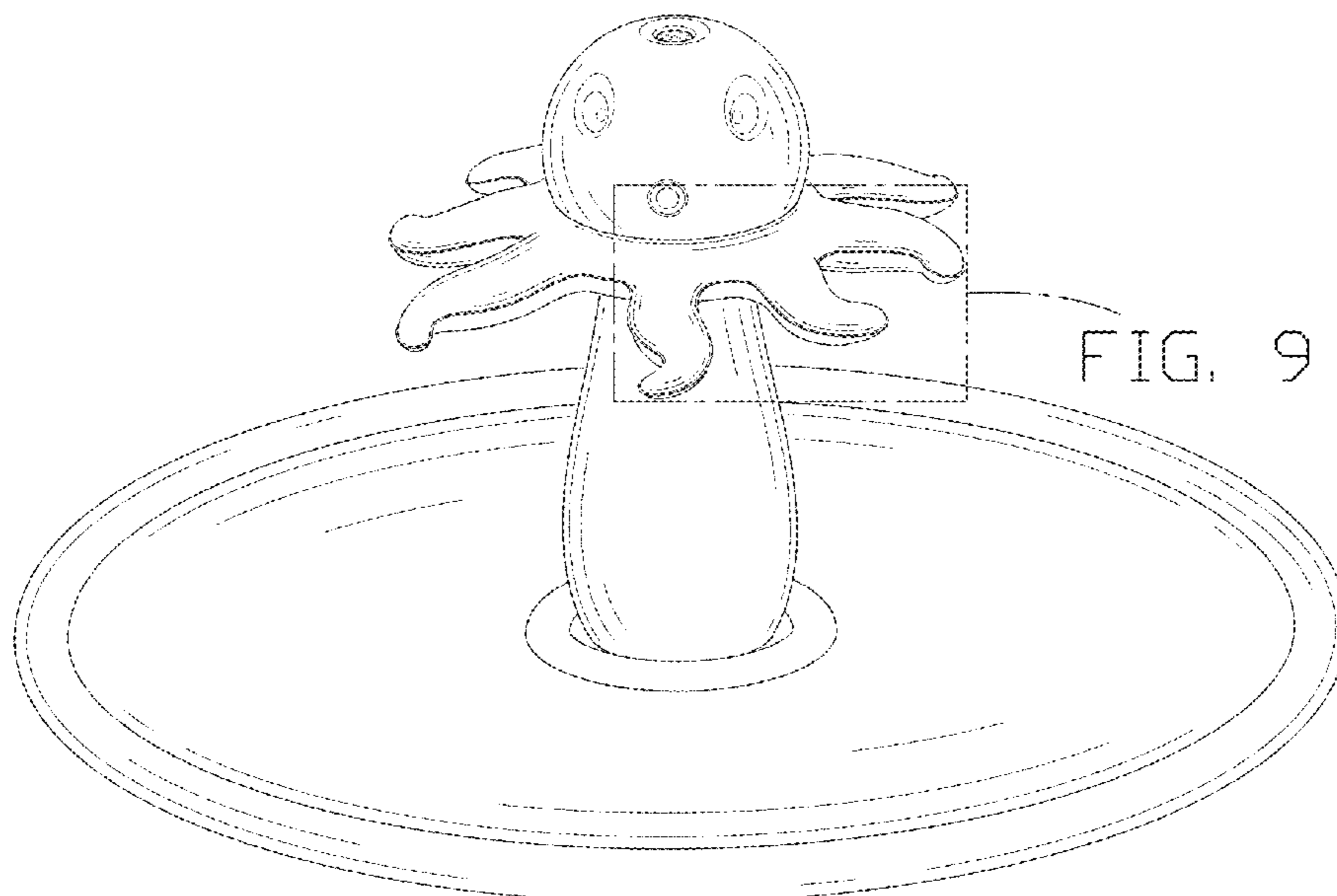
The broken lines in the figures illustrate portions of the article that form no part of the claimed design. The dash dot dash lines in FIGS. 1, 2, 4 and 9-11 are for the purpose of depicting the boundary lines of the enlarged view and form no part of the claim.

(56) **References Cited**

U.S. PATENT DOCUMENTS

D314,034 S \* 1/1991 Young ..... D21/816  
4,982,959 A \* 1/1991 Rudell ..... A63F 9/00  
273/443  
D330,139 S \* 10/1992 Bloom ..... 5/655  
D381,057 S \* 7/1997 Strawcutter ..... D21/814  
5,672,123 A \* 9/1997 Rudell ..... A63B 5/22  
239/289  
6,808,457 B1 \* 10/2004 Paukert ..... A63G 3/00  
297/180.15  
D626,883 S \* 11/2010 Rosario ..... D11/118  
D736,323 S \* 8/2015 Wai Shing ..... D21/419  
D825,452 S \* 8/2018 Catania ..... D13/102  
D858,858 S \* 9/2019 Lian ..... D26/101  
D876,275 S \* 2/2020 Huang ..... D11/118  
D879,506 S \* 3/2020 King ..... D6/592

**1 Claim, 11 Drawing Sheets**



(56)

**References Cited**

U.S. PATENT DOCUMENTS

D919,731	S *	5/2021	Han	.....	D21/816
D928,286	S *	8/2021	Huang	.....	D23/214
D929,528	S *	8/2021	Huang	.....	D21/815
D936,788	S *	11/2021	Lei	.....	D23/214
D937,378	S *	11/2021	Zhou	.....	D21/816
D947,309	S *	3/2022	Hsu	.....	D21/815
2007/0041179	A1 *	2/2007	Barthelmess	.....	A41G 1/007 362/123
2010/0034992	A1 *	2/2010	Kaluzny	.....	A41G 1/007 428/18
2015/0020449	A1 *	1/2015	Suchecki	.....	A47G 7/041 47/65.7
2019/0293272	A1 *	9/2019	Hoelscher	.....	F21V 21/32

OTHER PUBLICATIONS

Amscan 393092 Serveware, Tropical Palm Tree Inflatable Cooler, Feb. 23, 2013, amazon.ca, Feb. 3, 2022, URL: <https://www.amazon.ca/Amscan-Palm-Tree-Inflatable-Cooler/dp/B0026IJDTI/> (Year: 2013).\*

Palm Tree Sprinkle and Splash Water Play Pad, Mar. 3, 2022, amazon.ca, May 3, 2022, URL: <https://www.amazon.ca/Sprinkle-Inflatable-Outdoor-Backyard-Sprinkler/dp/B09TP4KZ9P/> (Year: 2022).\*

Splash Pad for Kids—70" Large Unique Inflatable Splash Pad Sprinkler, Jan. 7, 2022, amazon.ca, May 3, 2022, URL: <https://www.amazon.ca/Splash-Pad-Kids-Inflatable-Sprinkler/dp/B09PYK9S9L/> (Year: 2022).\*

Inflatable Sprinkler for Kids Toddlers Cactus Yard Sprinkler Toy, Jun. 4, 2021, amazon.ca, May 3, 2022, URL: <https://www.amazon.ca/Inflatable-Sprinkler-Toddlers-Backyard-Splashing/dp/B096MJJ55N/> (Year: 2021).\*

Shenzhen Hongchengdaguojiwuliuyouxiangongwsi, water toy, <https://www.amazon.com/dp/B086JPL62Q>.  
Le Wang, Authorization.

\* cited by examiner

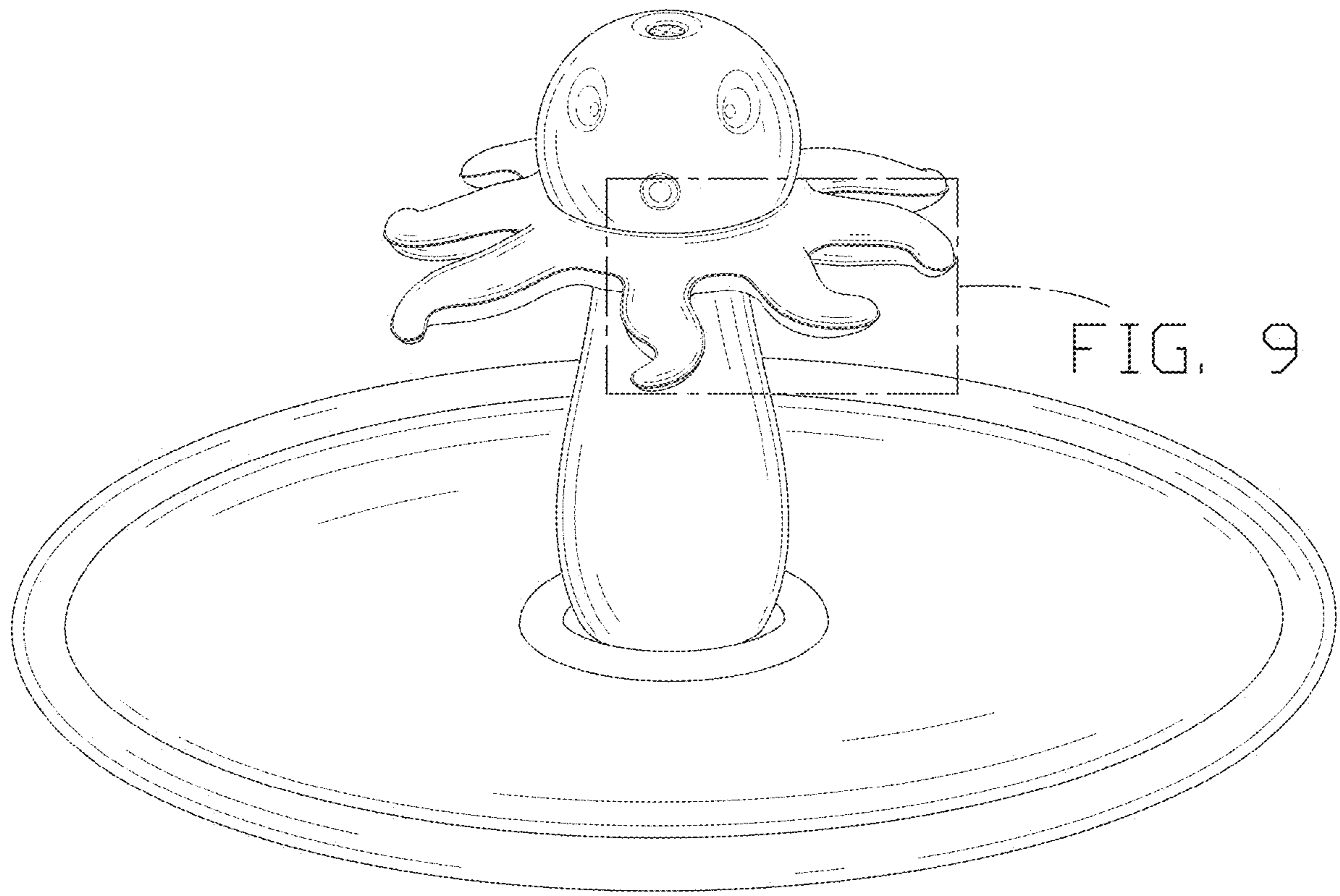


FIG. 1

FIG. 10

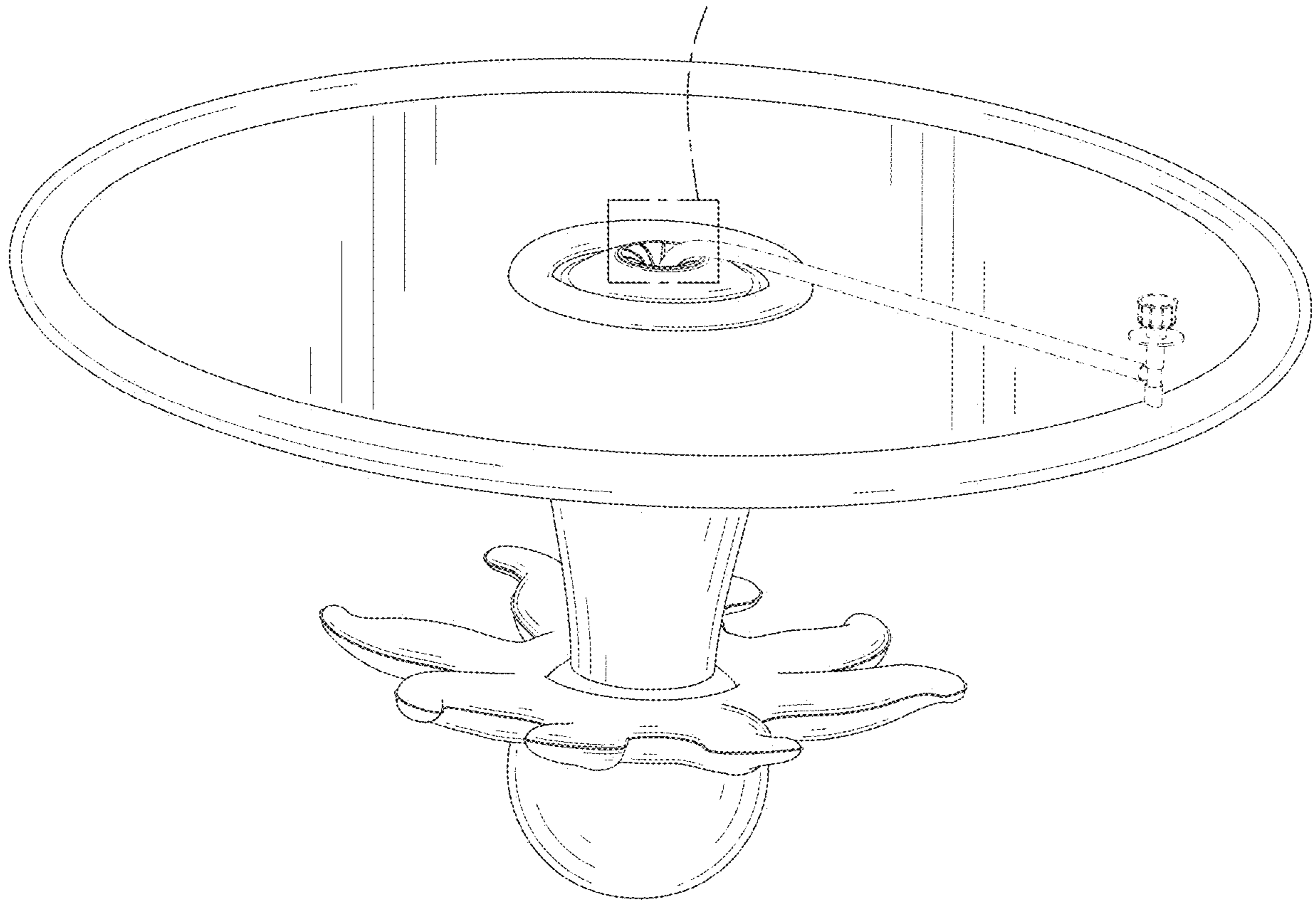


FIG. 2

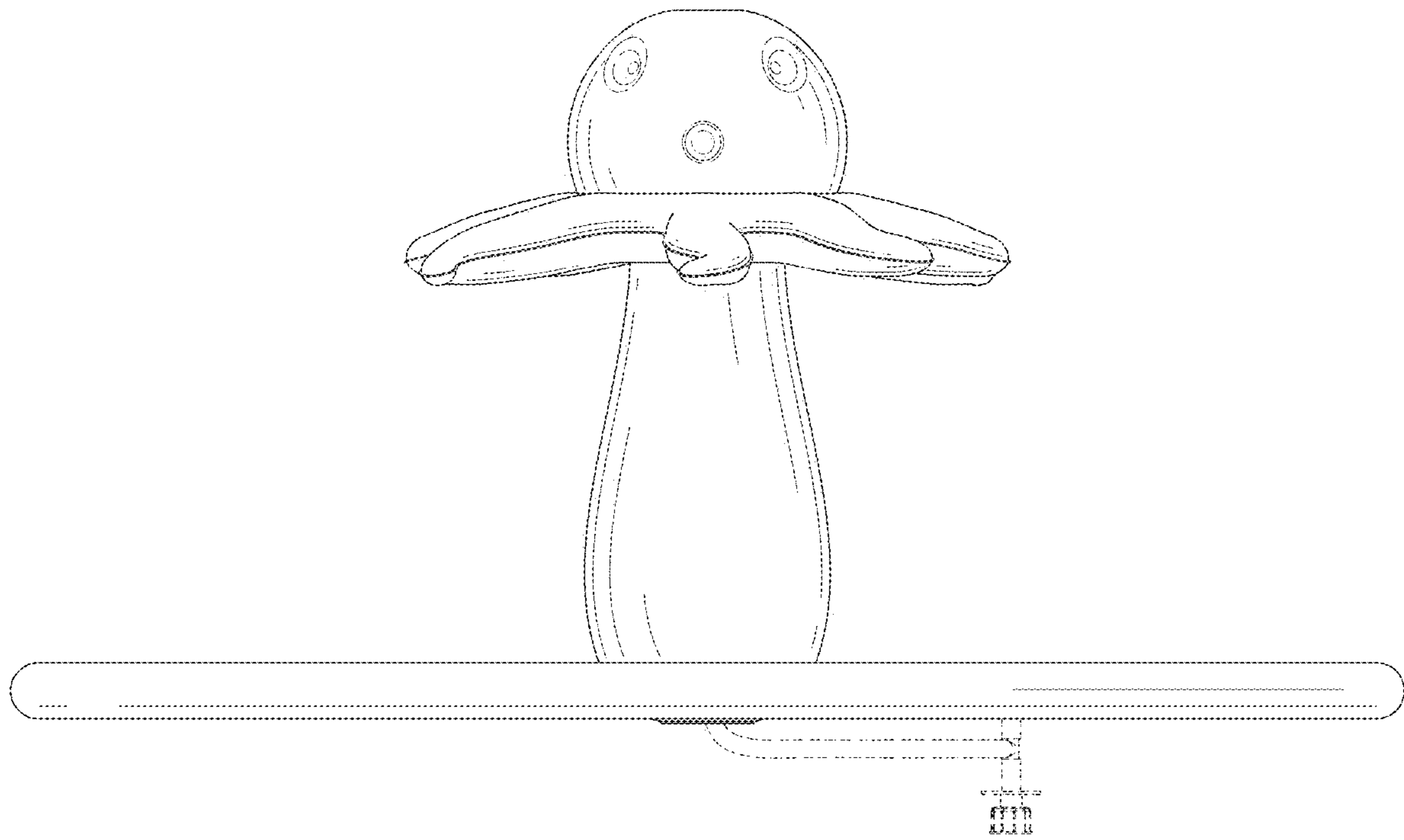


FIG. 3



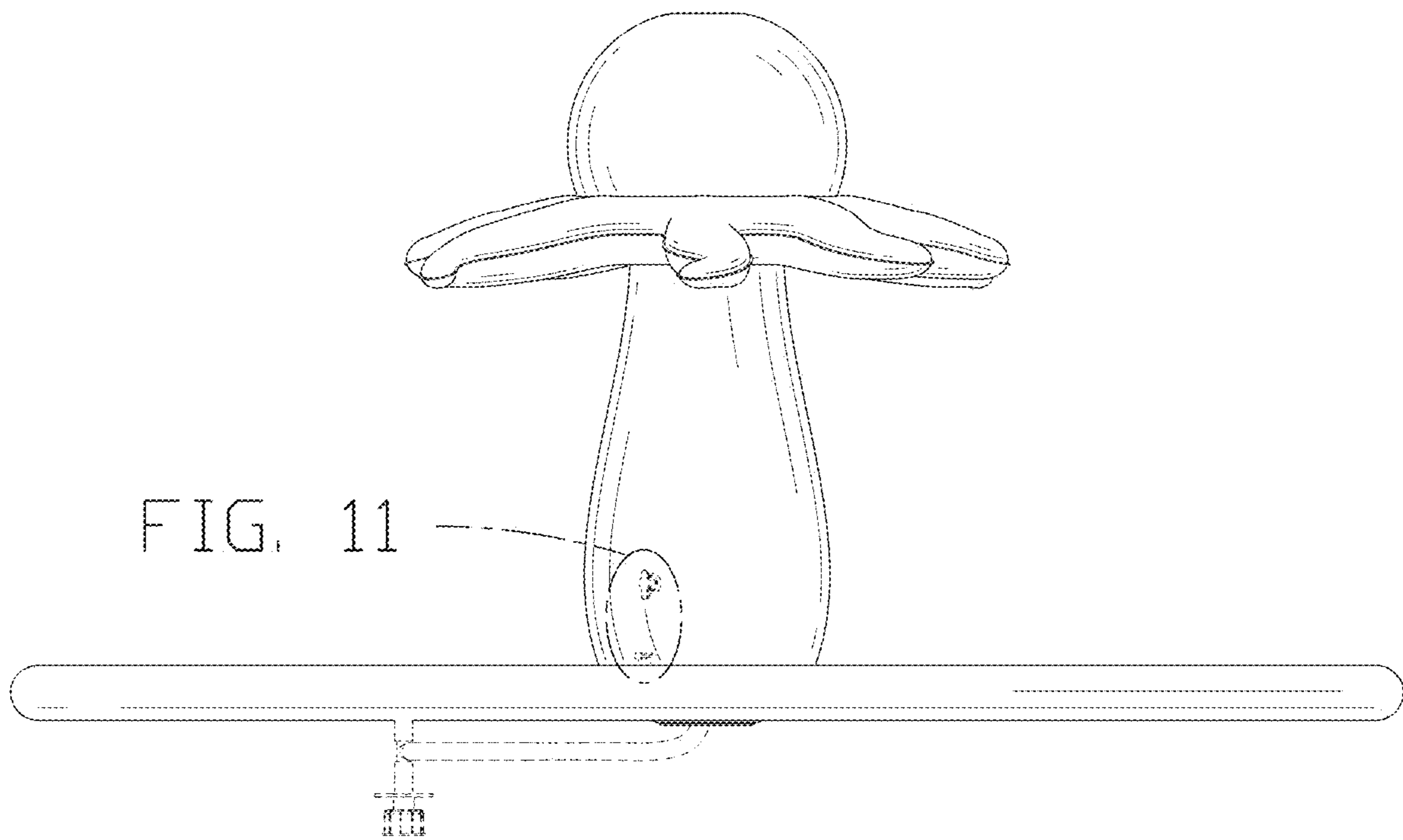


FIG. 4

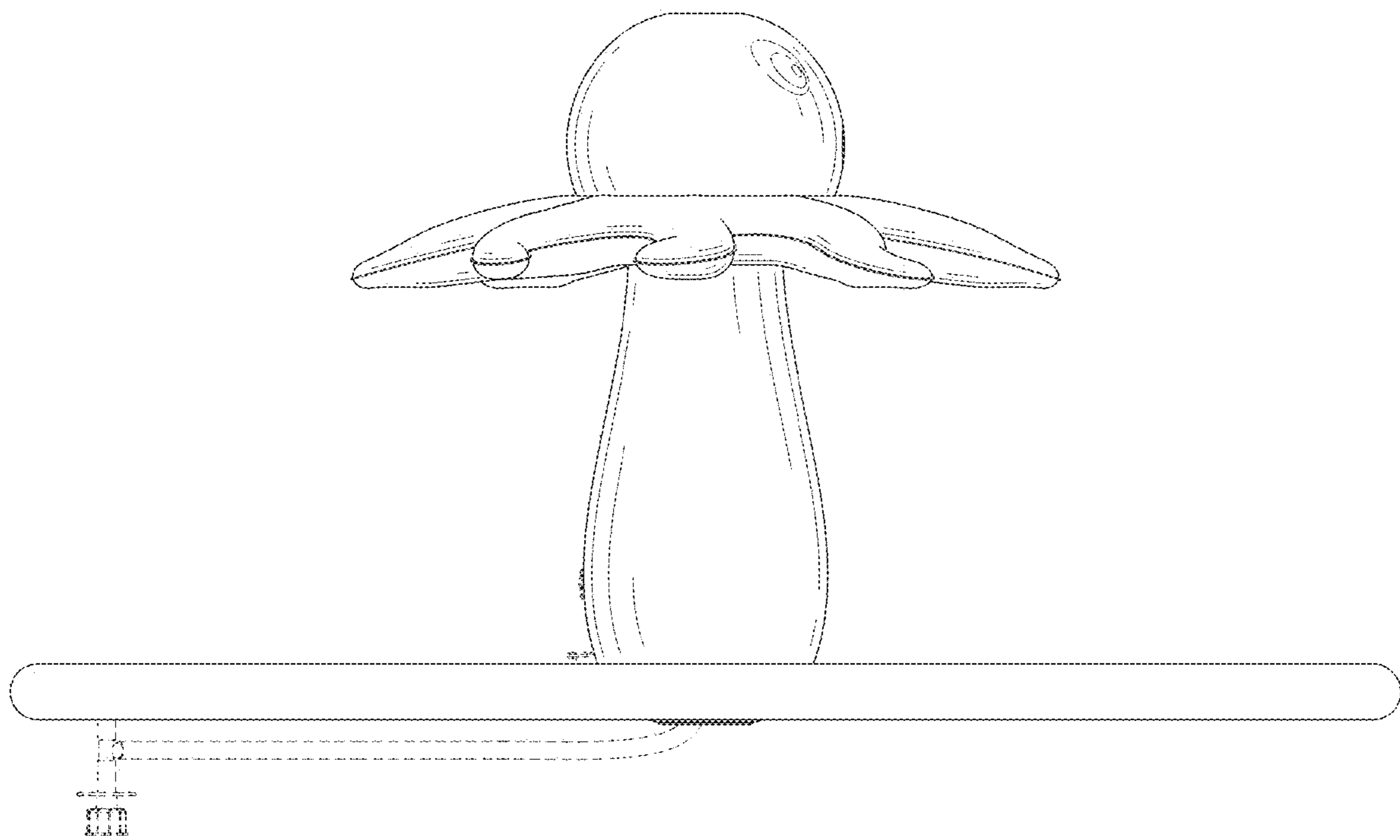


FIG. 5

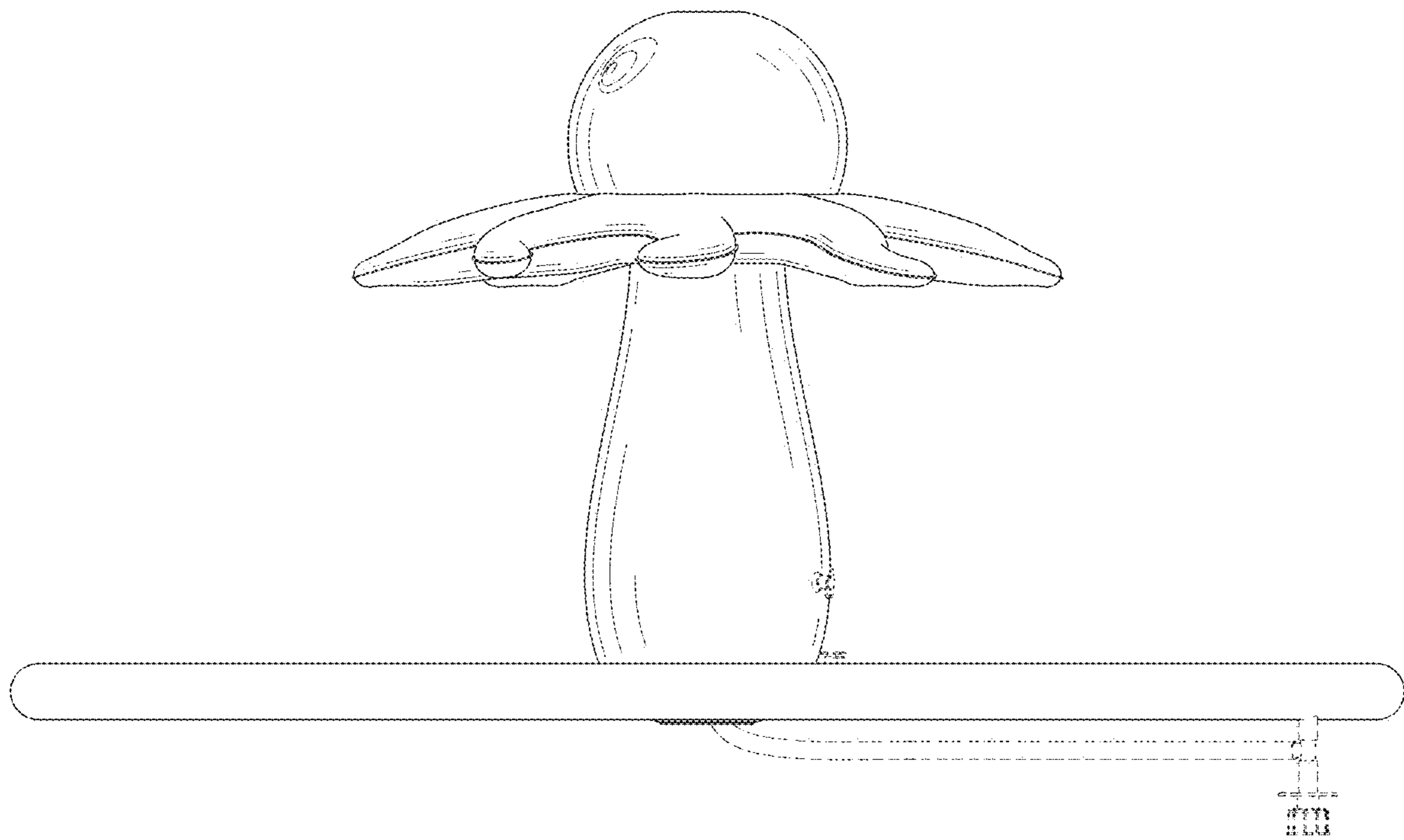


FIG. 6



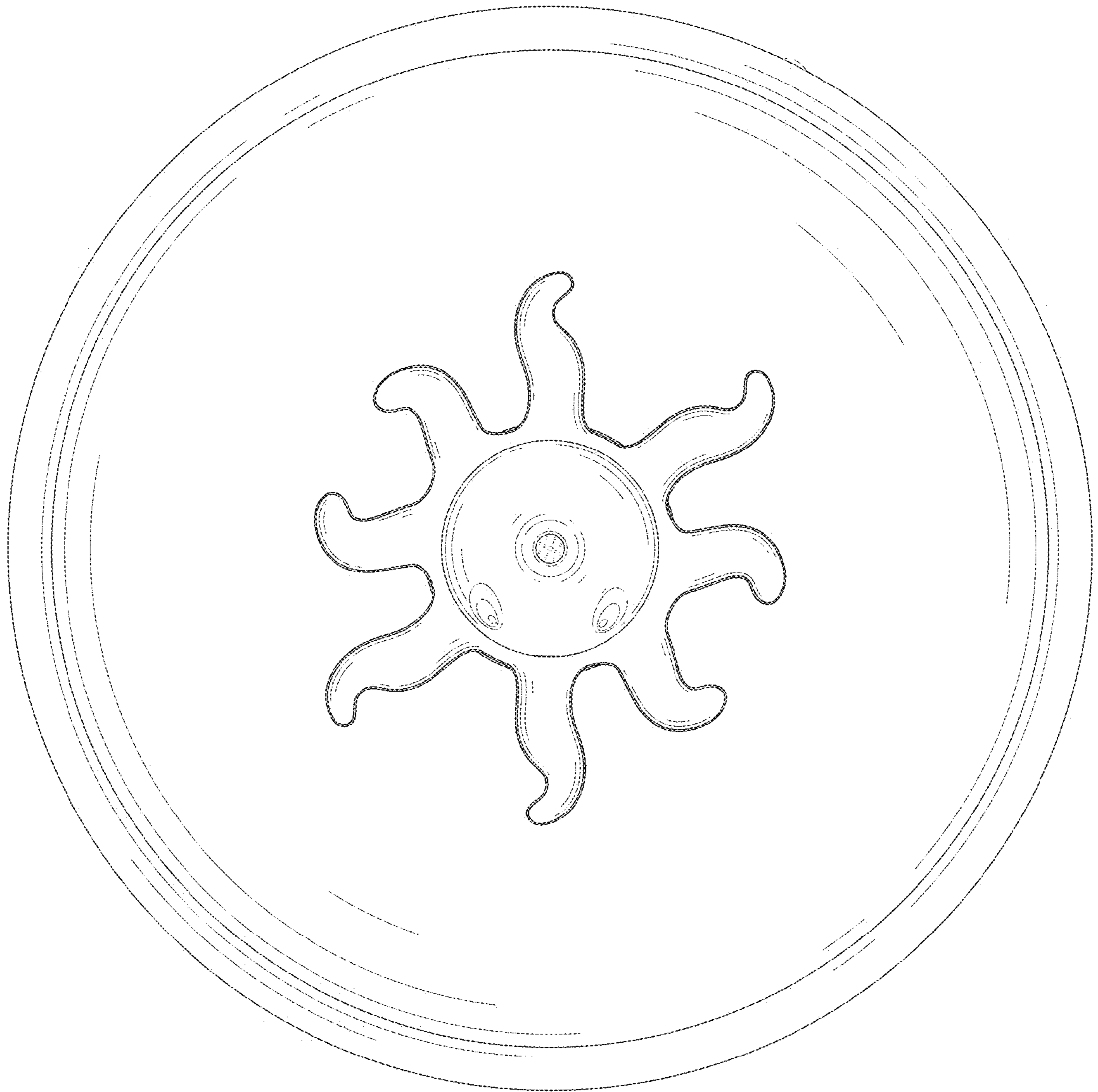


FIG. 7

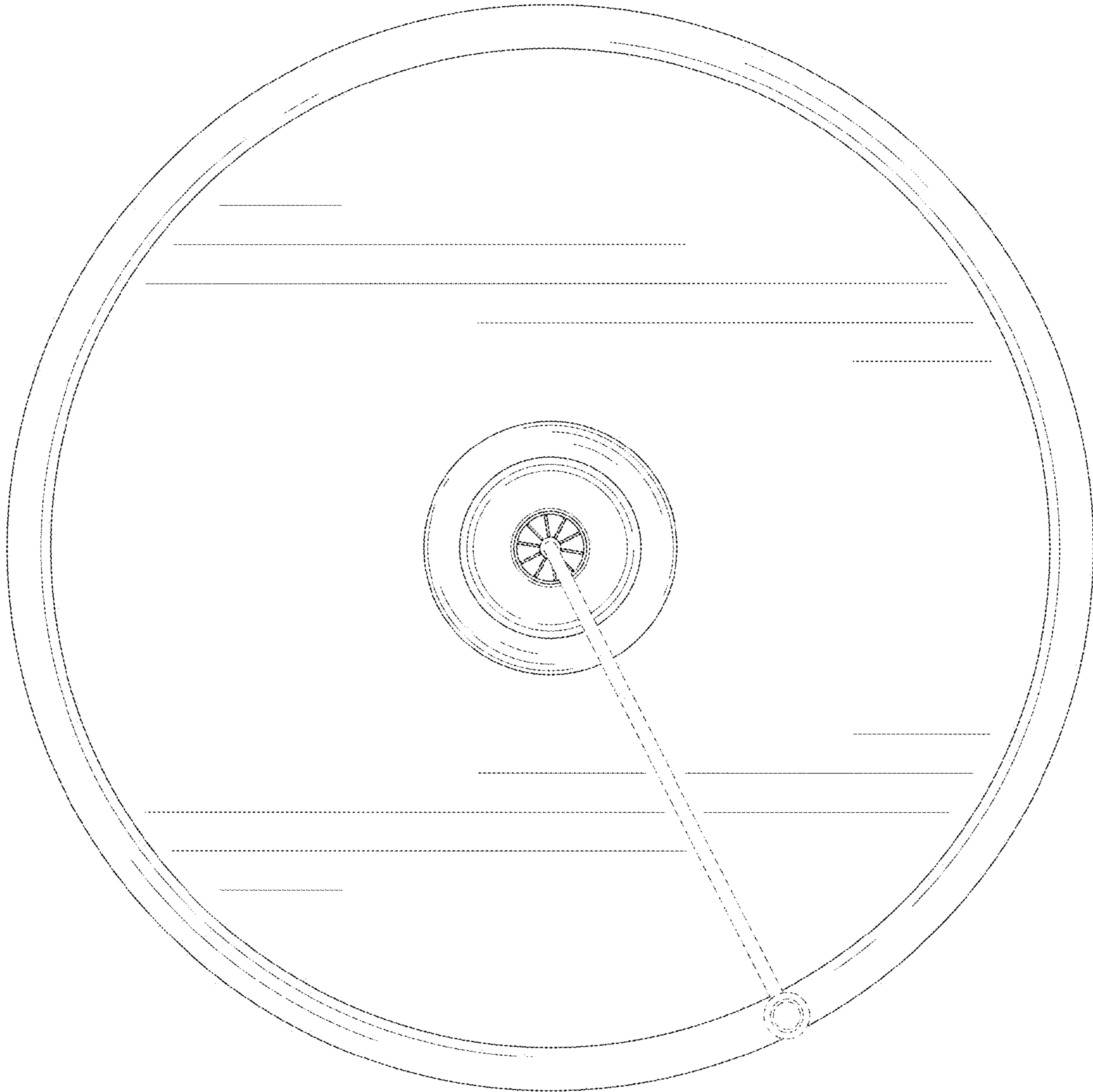


FIG. 8

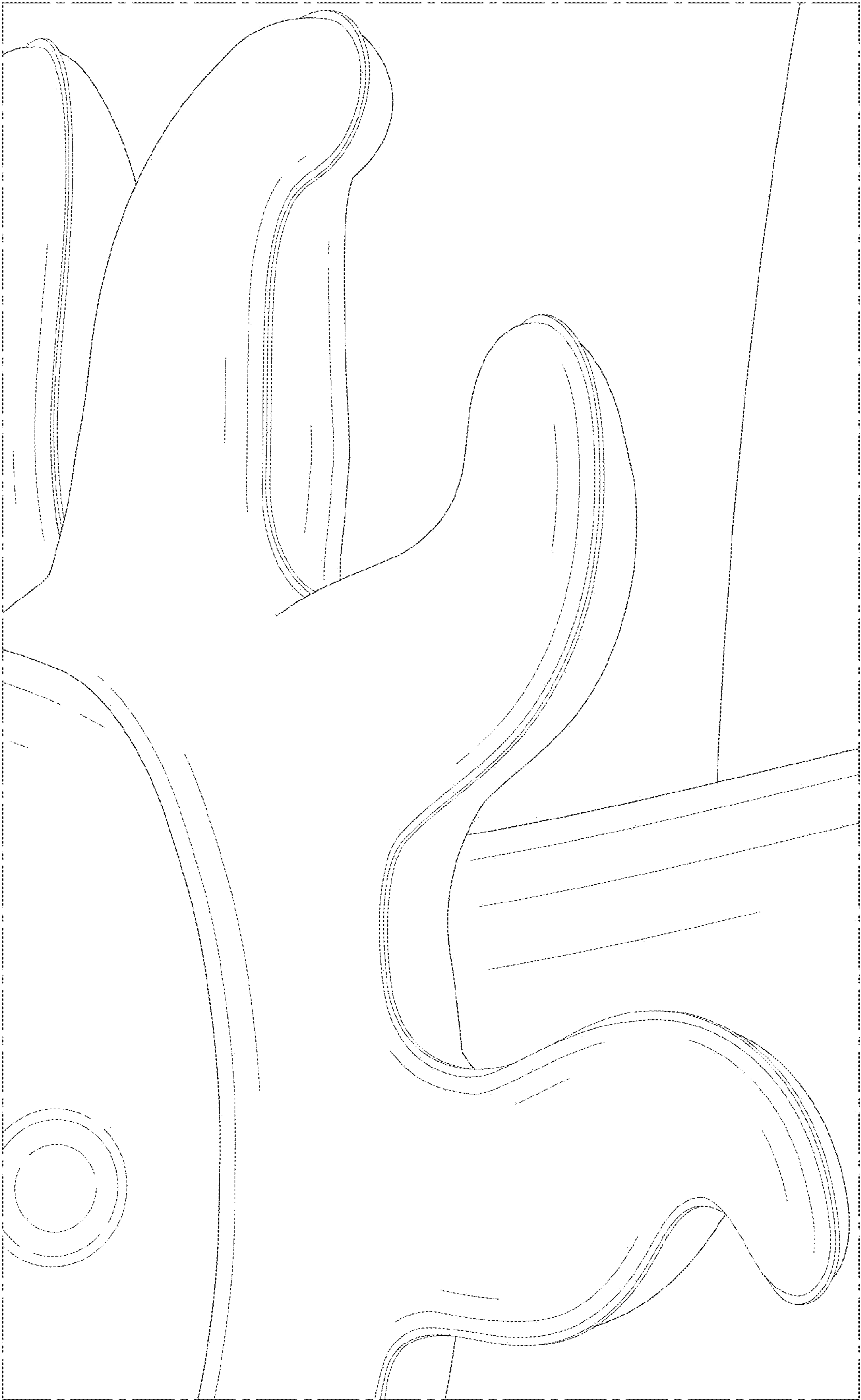


FIG. 9

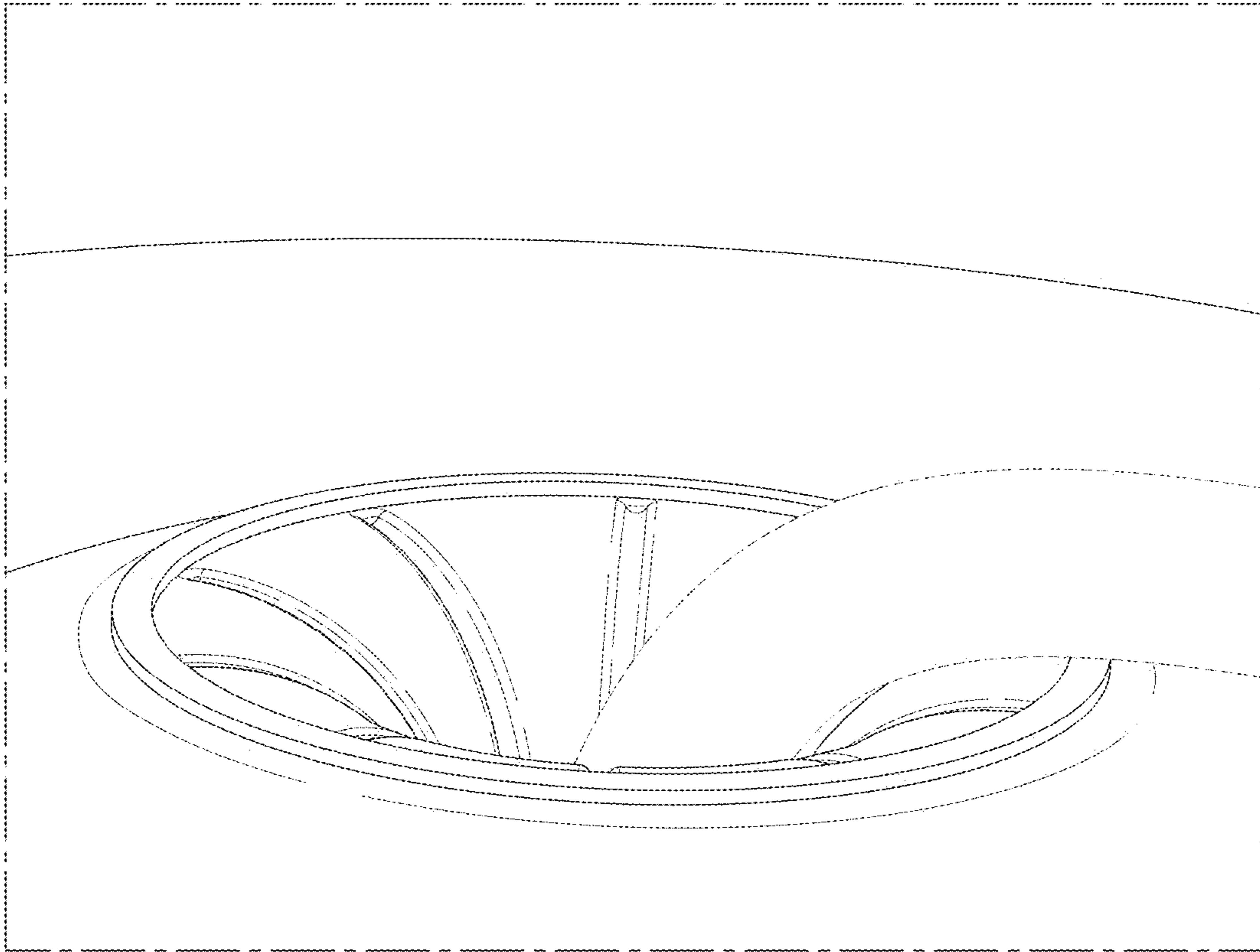


FIG. 10

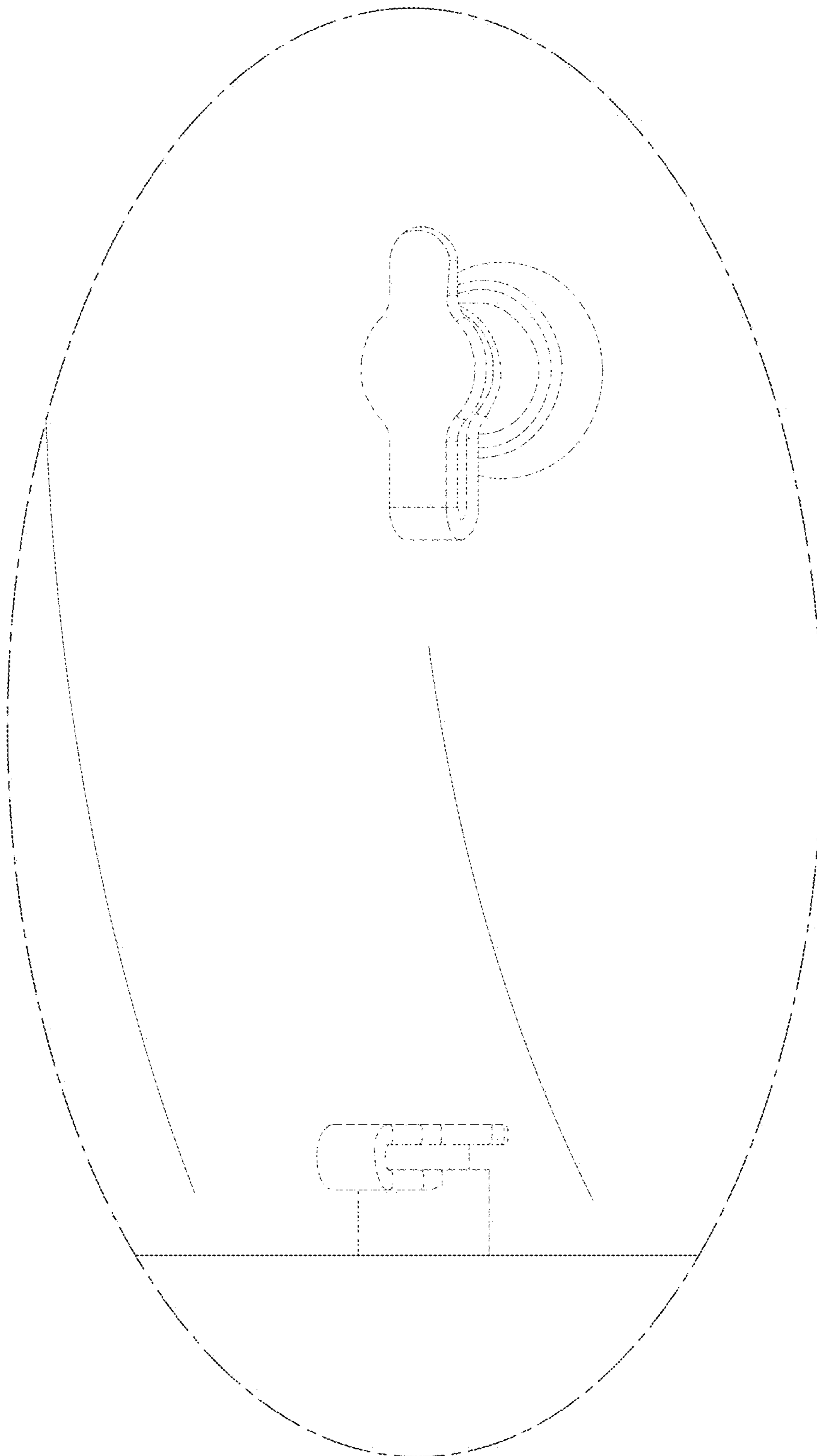


FIG. 11