



US00D962385S

(12) **United States Design Patent**  
**Tempel**

(10) **Patent No.:** **US D962,385 S**

(45) **Date of Patent:** **\*\* Aug. 30, 2022**

- (54) **FAUCET STREAM STRAIGHTENER**
- (71) Applicant: **Neoperl GmbH**, Mullheim (DE)
- (72) Inventor: **Marc Tempel**, Freiburg (DE)
- (73) Assignee: **Neoperl GmbH**, Müllheim (DE)
- (\*\*) Term: **15 Years**
- (21) Appl. No.: **29/749,199**
- (22) Filed: **Sep. 3, 2020**

D539,873 S	4/2007	Grether	
D550,814 S	9/2007	Grether	
D550,815 S	9/2007	Grether	
D550,816 S	9/2007	Grether	
D550,817 S	9/2007	Grether	
D550,818 S	9/2007	Grether	
D605,732 S	12/2009	Stein	
D612,911 S *	3/2010	Grether	D23/249
7,677,473 B2 *	3/2010	Kao	E03C 1/084 239/428.5
D622,355 S	8/2010	Grether	
D641,071 S *	7/2011	Grether	D23/249
D641,839 S *	7/2011	Grether	D23/249
D684,241 S	6/2013	Tempel	
D688,774 S	8/2013	Tempel	

(Continued)

**Related U.S. Application Data**

- (62) Division of application No. 29/649,983, filed on Jun. 4, 2018, now Pat. No. Des. 860,648, which is a division of application No. 35/502,057, filed on Nov. 23, 2016 (U.S. filing date under 35 U.S.C. 384), and having an international filing date of Nov. 23, 2016, now Pat. No. Des. 822,159.
- (51) **LOC (13) Cl.** ..... **23-01**
- (52) **U.S. Cl.**  
USPC ..... **D23/213**
- (58) **Field of Classification Search**  
USPC ..... D23/207, 209, 213, 214, 215, 223, 224,  
D23/225, 226, 229, 230, 249  
CPC ..... A61H 9/0021; A61H 33/00; B05B 1/00;  
B05B 1/14; B05B 1/185; B05B 1/08;  
B05B 1/02; B05B 1/26; B05B 12/002;  
B05B 1/18; B05B 9/01  
See application file for complete search history.

**References Cited**

**U.S. PATENT DOCUMENTS**

6,126,093 A *	10/2000	Grether	E03C 1/084 239/428.5
6,892,964 B2 *	5/2005	Grether	E03C 1/08 239/428.5
D529,588 S	10/2006	Grether	

**OTHER PUBLICATIONS**

Moen 116711 Eco-Performance Aerator Flow Restrictor, 1.5 Gpm—Aerator Insert, Jun. 30, 2014, amazon.ca, Apr. 8, 2022, URL: <https://www.amazon.ca/Moen-116711-Flow-Restrictor-Kit/dp/B002A2CY2I/> (Year: 2014).\*

(Continued)

*Primary Examiner* — Keith J Wilson

(74) *Attorney, Agent, or Firm* — Volpe Koenig

(57) **CLAIM**

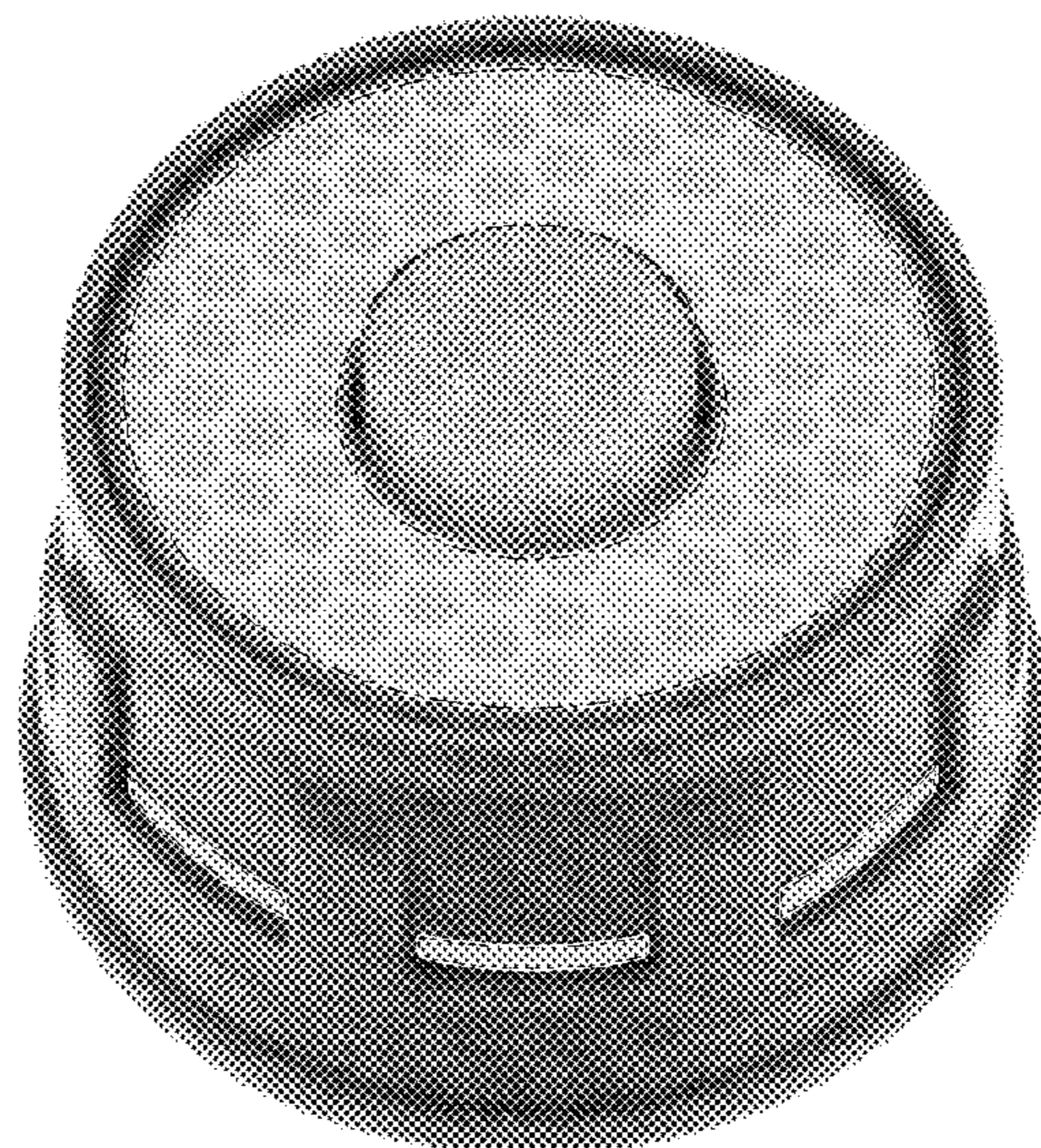
The ornamental design for a faucet stream straightener, as shown and described.

**DESCRIPTION**

FIG. 1 is a top perspective view of a faucet stream straightener in accordance with my design;  
FIG. 2 is a bottom perspective view thereof;  
FIG. 3 is an elevational view thereof;  
FIG. 4 is a top view thereof; and,  
FIG. 5 is a bottom view thereof.

The dot-dash boundary lines form no part of the claimed design and represent the limits of the claimed design.

**1 Claim, 5 Drawing Sheets**



(56)

References Cited

U.S. PATENT DOCUMENTS

D690,797 S \* 10/2013 Blum ..... D23/249  
 D691,238 S 10/2013 Grether  
 D728,740 S 5/2015 Tempel  
 D733,255 S \* 6/2015 Blum ..... D23/213  
 D745,641 S 12/2015 Blum  
 D752,710 S 3/2016 Tempel  
 D753,792 S \* 4/2016 Blum ..... D23/213  
 D754,282 S \* 4/2016 Blum ..... D23/249  
 D776,240 S 1/2017 Huang et al.  
 D776,242 S \* 1/2017 Blum ..... D23/213  
 D786,400 S \* 5/2017 Blum ..... D23/213  
 D788,264 S 5/2017 Stein  
 D791,921 S \* 7/2017 Blum ..... D23/249  
 D797,236 S 9/2017 Blum  
 D800,250 S \* 10/2017 Blum ..... D23/213  
 D800,867 S \* 10/2017 Blum ..... D23/249  
 D812,722 S \* 3/2018 Blum ..... D23/249  
 D822,159 S 7/2018 Tempel  
 D833,573 S \* 11/2018 Blum ..... D23/213  
 D839,385 S \* 1/2019 Vögeli ..... D23/213  
 D840,503 S \* 2/2019 Stein ..... D23/213  
 D844,104 S \* 3/2019 Birmelin ..... D23/213  
 D844,747 S 4/2019 Blum  
 D844,748 S 4/2019 Schurle  
 D849,887 S \* 5/2019 Blum ..... D23/213  
 D849,888 S \* 5/2019 Schürle ..... D23/213  
 D851,208 S \* 6/2019 Birmelin ..... D23/213  
 D853,524 S \* 7/2019 Song ..... D23/213  
 D855,756 S \* 8/2019 Blum ..... D23/213  
 D860,402 S \* 9/2019 Blum ..... D23/249  
 D866,710 S \* 11/2019 Blum ..... D23/213  
 D871,553 S \* 12/2019 Blum ..... B29C 49/60  
 D894,338 S \* 8/2020 Lai ..... E03C 1/08  
 D895,065 S \* 9/2020 Lai ..... D23/213  
 D896,343 S \* 9/2020 Stein ..... D23/213  
 D905,199 S \* 12/2020 Wu ..... D23/213  
 D905,820 S \* 12/2020 Weiß ..... E03C 1/08  
 D906,478 S \* 12/2020 Stein ..... E03C 1/08  
 D23/213

D911,488 S \* 2/2021 Spater ..... D23/213  
 D921,152 S \* 6/2021 Blum ..... D23/249  
 D926,923 S \* 8/2021 Ross ..... D23/213  
 D933,776 S \* 10/2021 Blum ..... D23/213  
 D936,787 S \* 11/2021 Morgan ..... E03C 1/084  
 D23/213  
 D937,383 S \* 11/2021 Thibodeau ..... B29C 49/60  
 D23/213  
 D937,384 S \* 11/2021 Khubani ..... D23/213  
 D946,110 S \* 3/2022 Blum ..... E03C 1/086  
 D23/213  
 D946,707 S \* 3/2022 Blum ..... E03C 1/084  
 D23/249  
 2007/0196177 A1 \* 8/2007 Tasi ..... E03C 1/084  
 405/79  
 2009/0173405 A1 7/2009 Denzler  
 2011/0006132 A1 \* 1/2011 Grether ..... E03C 1/084  
 239/428.5  
 2011/0266369 A1 \* 11/2011 Grether ..... E03C 1/084  
 239/428.5  
 2016/0222637 A1 8/2016 Stein  
 2016/0273199 A1 \* 9/2016 Blum ..... E03C 1/08  
 2019/0301148 A1 \* 10/2019 Schurle ..... E03C 1/08  
 2020/0199857 A1 \* 6/2020 Stein ..... E03C 1/086  
 2021/0277639 A1 \* 9/2021 Birmelin ..... E03C 1/086  
 2021/0285194 A1 \* 9/2021 Stein ..... E03C 1/084  
 2021/0388586 A1 \* 12/2021 Stein ..... E03C 1/084

OTHER PUBLICATIONS

Danco 10496 1.0 Gpm Dual Thread Extra-Water-Saving Aerator Insert, Green, Oct. 10, 2014, amazon.ca, Apr. 8, 2022, URL: <https://www.amazon.ca/Danco-10496-Thread-Extra-Water-Saving-Aerator/dp/B008OCHFQI/> (Year: 2014).\*  
 Pfister 941-2930 1.75GPM Aerator Insert, Jan. 8, 2015, amazon.ca, Apr. 8, 2022, URL: <https://www.amazon.ca/Pfister-941-2930-1-75GPM-Aerator-Insert/dp/B009E27XF0/> (Year: 2015).\*  
 Kohler K-1097180 Insert-Aerator, 1.5 GPM, Medium, Jan. 5, 2015, amazon.ca, Apr. 8, 2022, URL: <https://www.amazon.ca/KOHLER-K-1097180-Insert-Aerator-Medium/dp/B006XA7VDK/> (Year: 2015).\*

\* cited by examiner



Fig. 1



Fig. 2

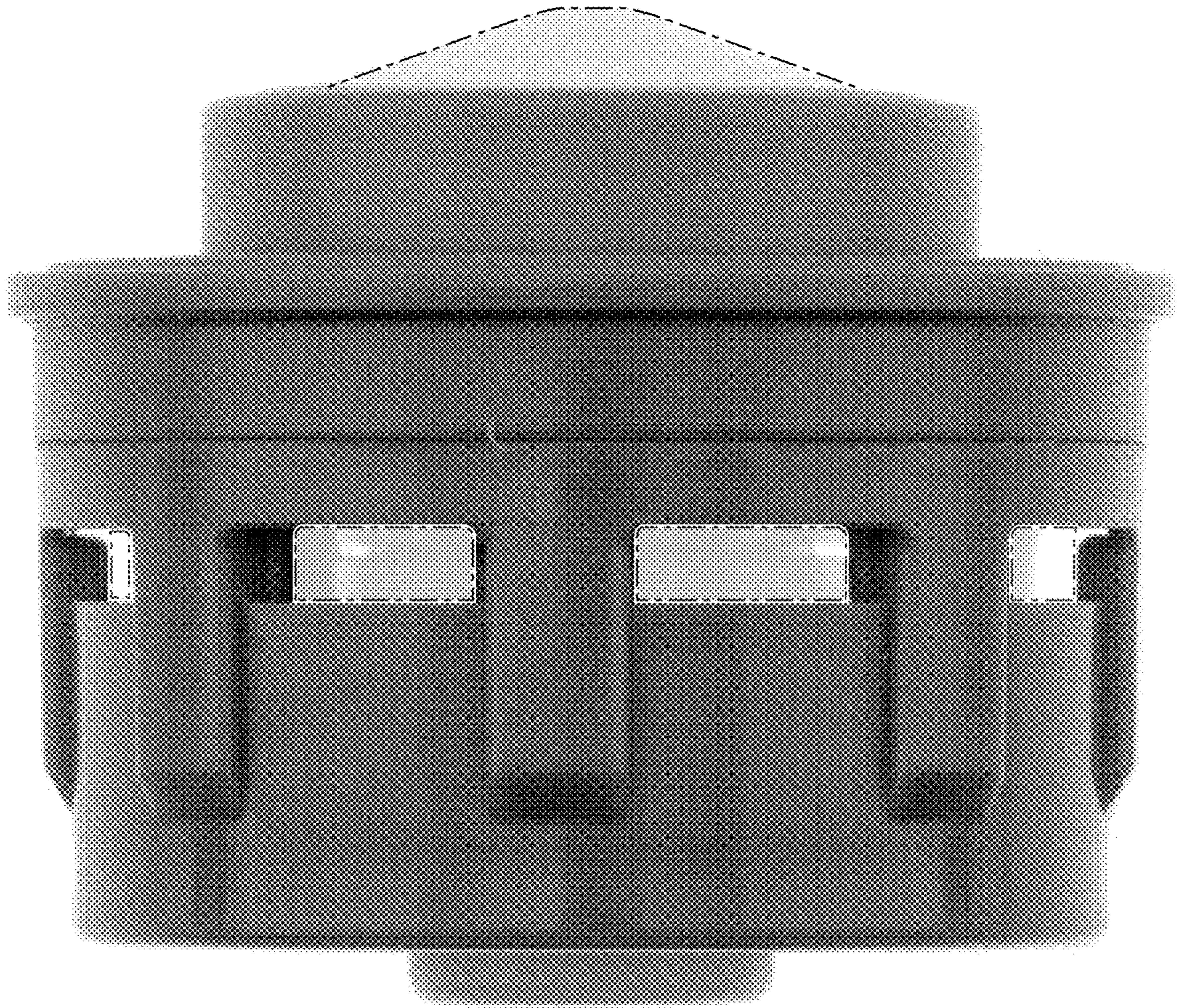


Fig. 3

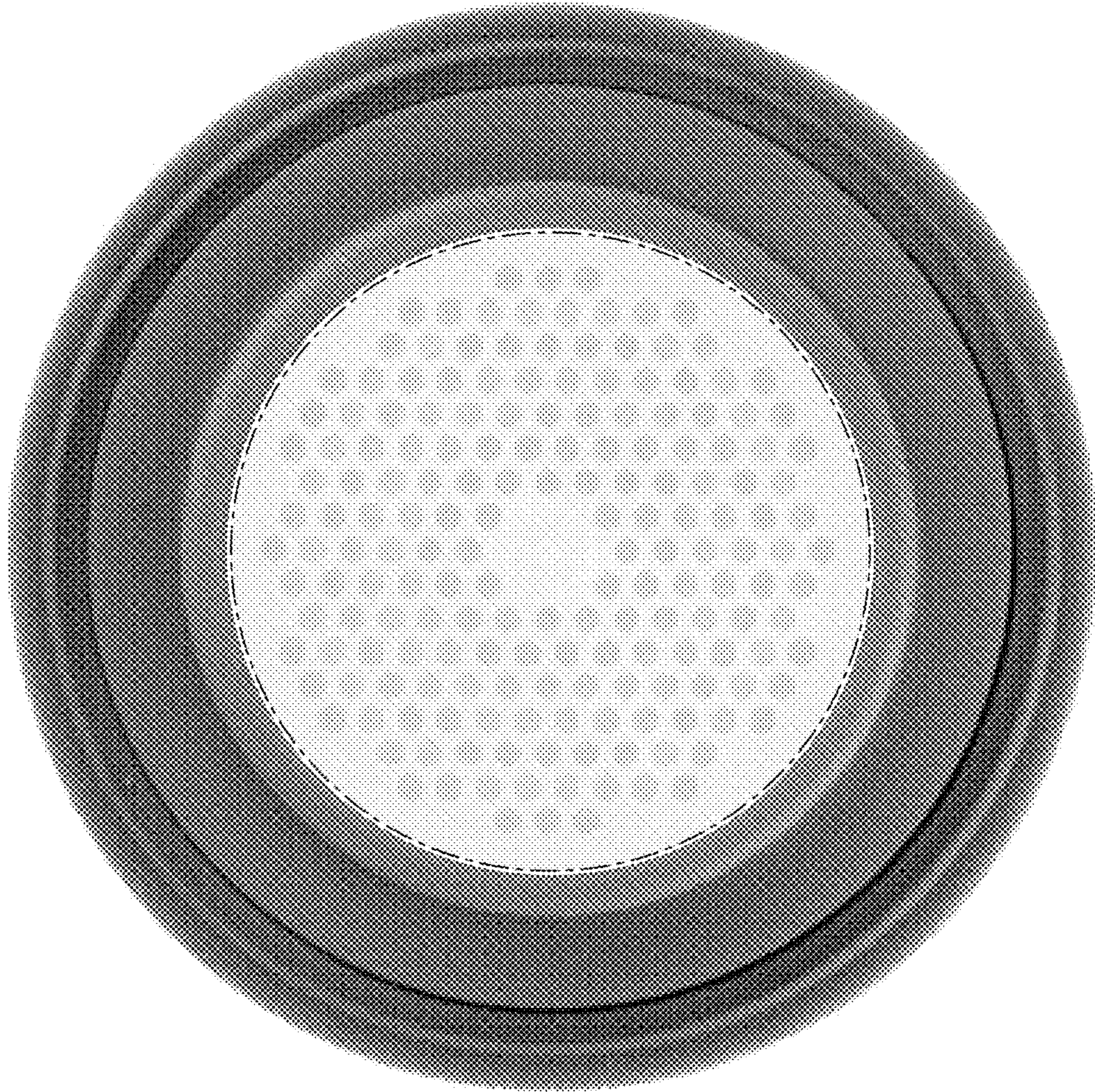


Fig. 4

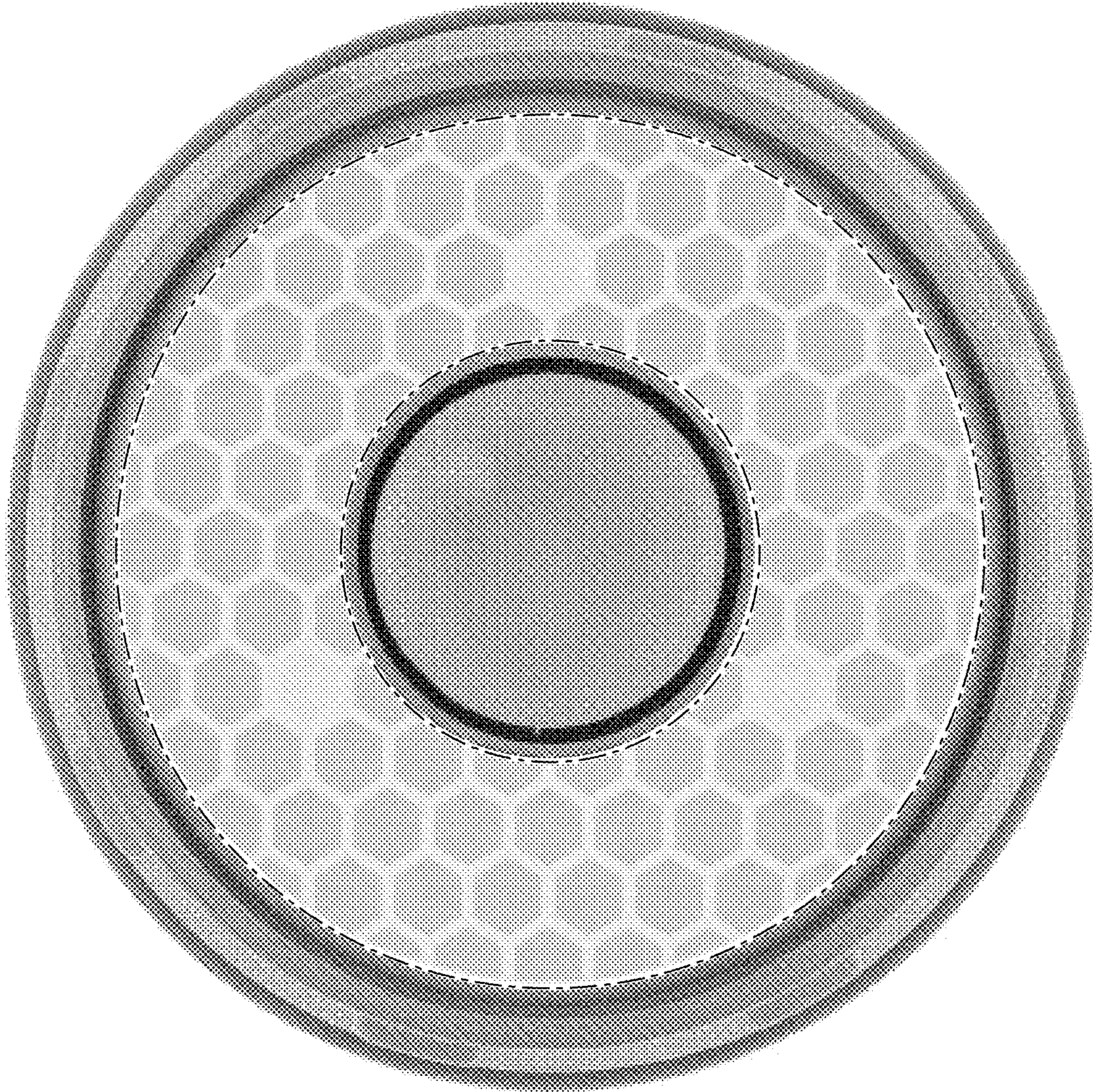


Fig. 5