

US00D962384S

(12) **United States Design Patent** (10) **Patent No.:** **US D962,384 S**
Tempel (45) **Date of Patent:** **** Aug. 30, 2022**

- (54) **FAUCET STREAM STRAIGHTENER**
- (71) Applicant: **NEOPERL GMBH**, Mullheim (DE)
- (72) Inventor: **Marc Tempel**, Freiburg (DE)
- (73) Assignee: **Neoperl GmbH**, Müllheim (DE)
- (**) Term: **15 Years**
- (21) Appl. No.: **29/702,555**
- (22) Filed: **Aug. 20, 2019**

D733,255 S *	6/2015	Blum	D23/213
D752,710 S *	3/2016	Tempel	D23/213
D753,792 S *	4/2016	Blum	D23/213
D764,407 S	8/2016	Robredo	
D771,563 S	11/2016	Dolle	
D776,242 S *	1/2017	Blum	D23/213
D788,264 S *	5/2017	Stein	D23/213
D796,100 S	8/2017	Ahrar	
D800,652 S	10/2017	Yang et al.	
D830,968 S	10/2018	Wang et al.	
D830,969 S	10/2018	Wang et al.	
D833,387 S	11/2018	Baxter et al.	
D843,331 S	3/2019	Long et al.	
D848,348 S	5/2019	Long et al.	
D863,503 S *	10/2019	Tempel	D23/213
D878,519 S *	3/2020	Abbhagen	D23/213
D896,343 S *	9/2020	Stein	D23/213
D933,162 S *	10/2021	Stein	E03C 1/08 D23/213

Related U.S. Application Data

- (62) Division of application No. 35/505,153, filed on Jun. 7, 2018 (U.S. filing date under 35 U.S.C. 384), and having an international filing date of Jun. 7, 2018, now Pat. No. Des. 863,503.
- (51) **LOC (13) Cl.** **23-02**
- (52) **U.S. Cl.**
USPC **D23/213**
- (58) **Field of Classification Search**
USPC D23/213, 221, 233, 235, 247, 249, 264
CPC B05B 7/0425; E03C 1/08; E03C 1/084;
E03C 1/086; E03C 2001/026
See application file for complete search history.

* cited by examiner

Primary Examiner — Khawaja Anwar

(74) *Attorney, Agent, or Firm* — Volpe Koenig

(57) **CLAIM**

The ornamental design for a faucet stream straightener, as shown and described.

DESCRIPTION

FIG. 1 is a top plan view of the faucet stream straightener in accordance with my design;
 FIG. 2 is a top, front perspective view thereof;
 FIG. 3 is a bottom plan view thereof;
 FIG. 4 is a bottom, rear perspective view thereof;
 FIG. 5 is a front elevational view thereof;
 FIG. 6 is a right side elevational view thereof;
 FIG. 7 is a rear elevational view thereof; and,
 FIG. 8 is a left side elevational view thereof.

1 Claim, 8 Drawing Sheets

(56) **References Cited**

U.S. PATENT DOCUMENTS

D604,254 S	11/2009	Lanfear et al.	
D609,785 S *	2/2010	Grether	D23/249
D654,857 S	2/2012	Salazar et al.	
D680,952 S	4/2013	Henderson et al.	
D682,986 S *	5/2013	Grether	D23/213
D684,241 S *	6/2013	Tempel	D23/213
D686,985 S	7/2013	Henderson et al.	
D691,238 S *	10/2013	Grether	D23/213

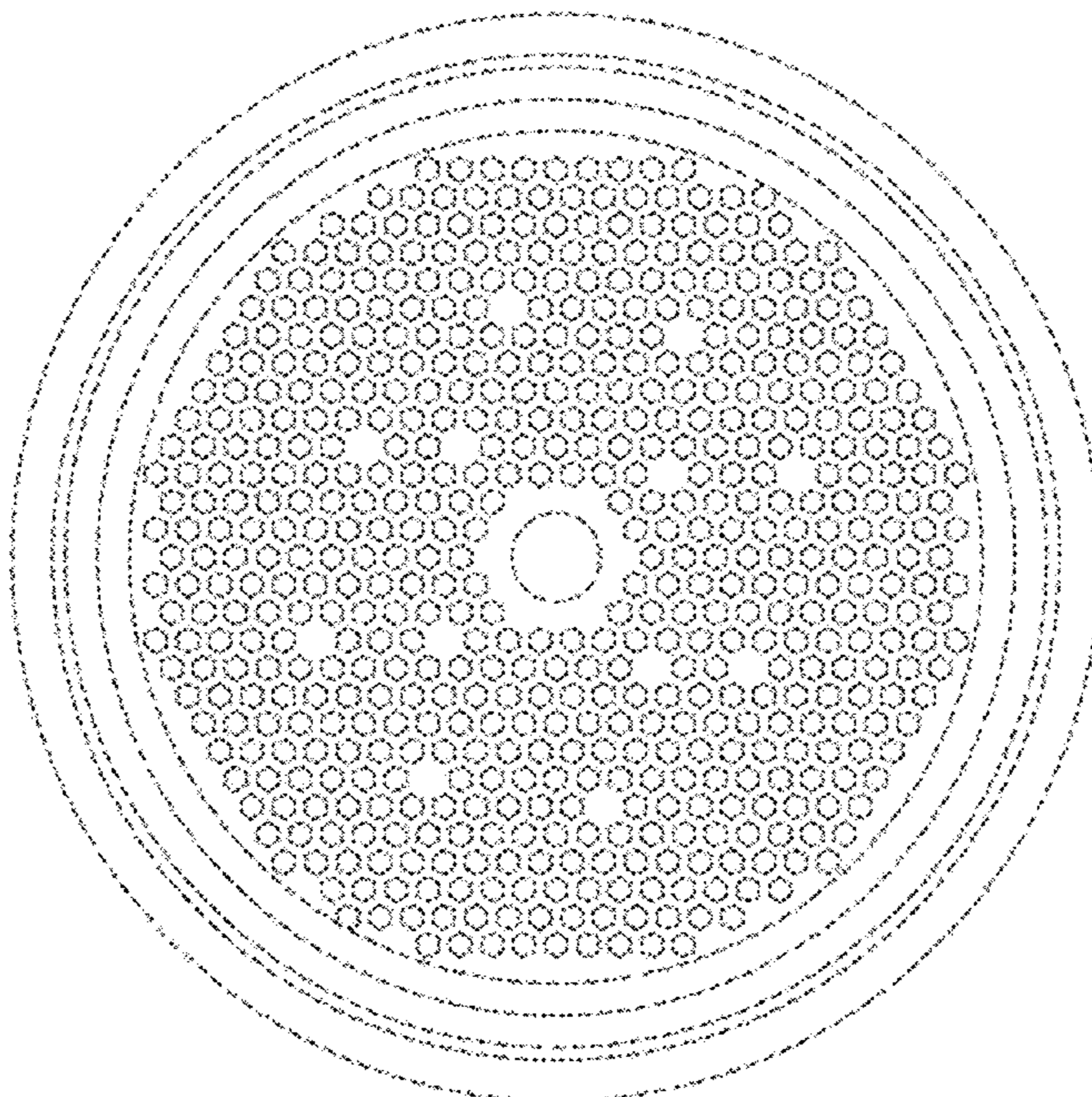


Fig. 1

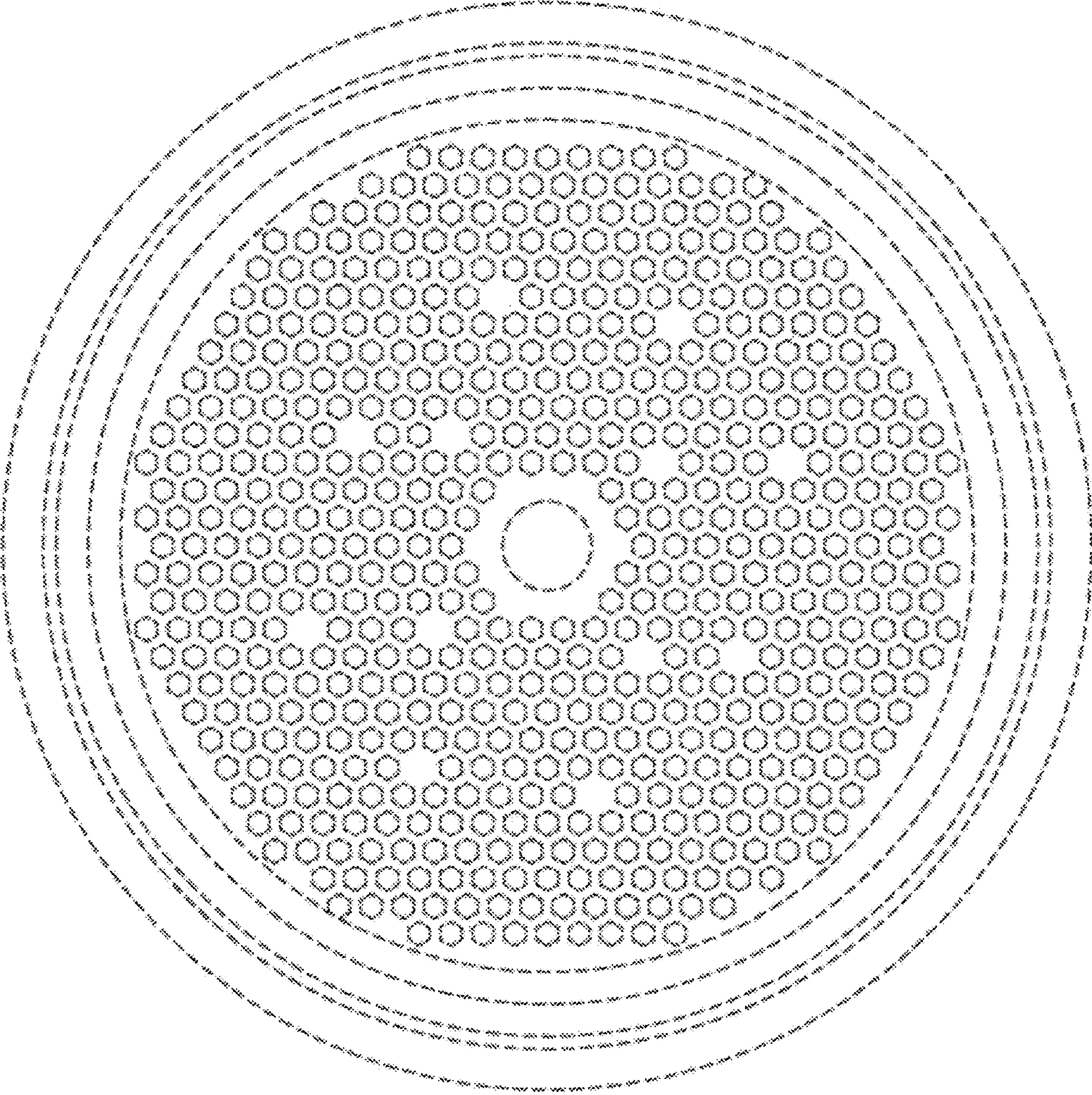


Fig. 2

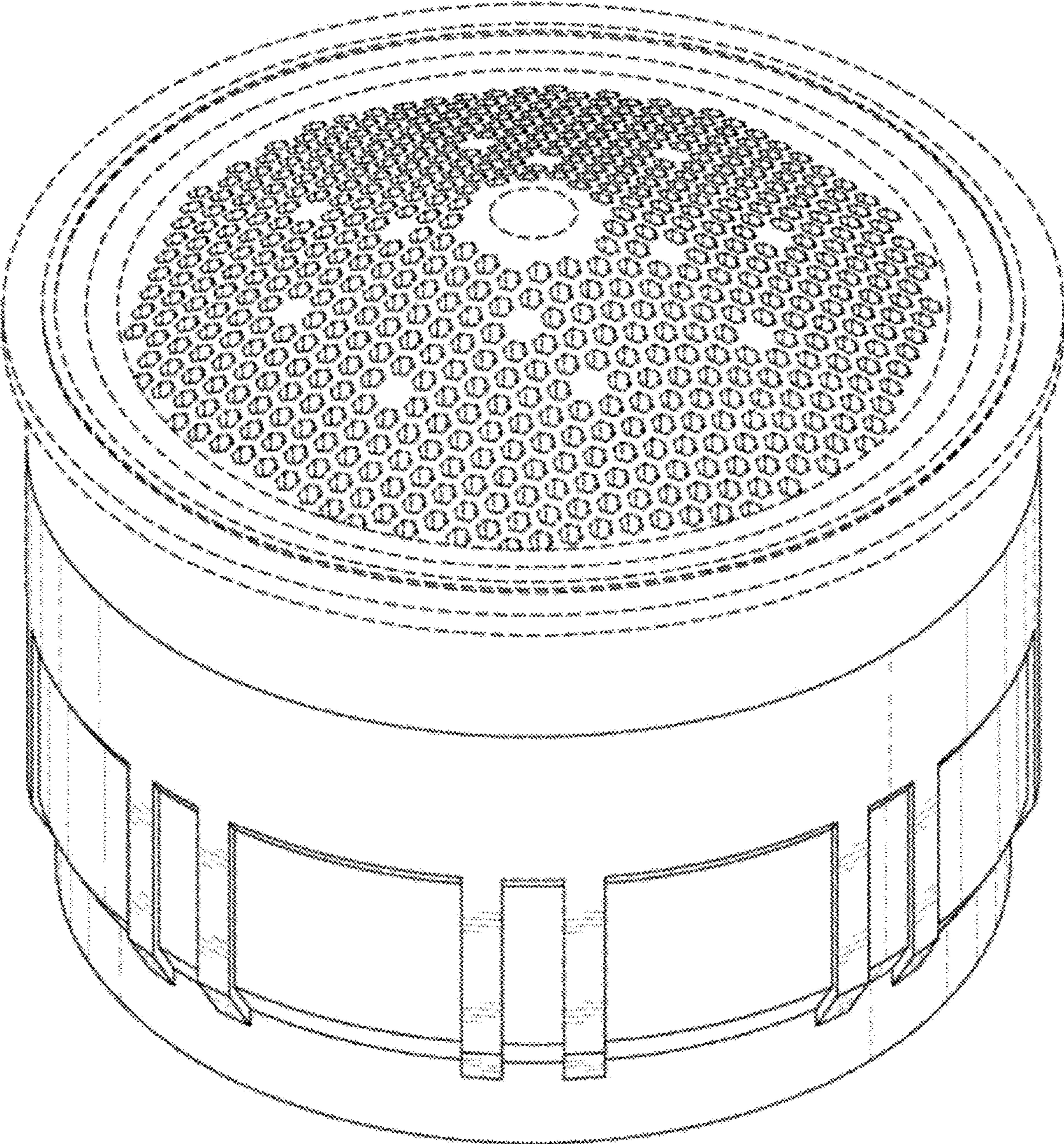


Fig. 3

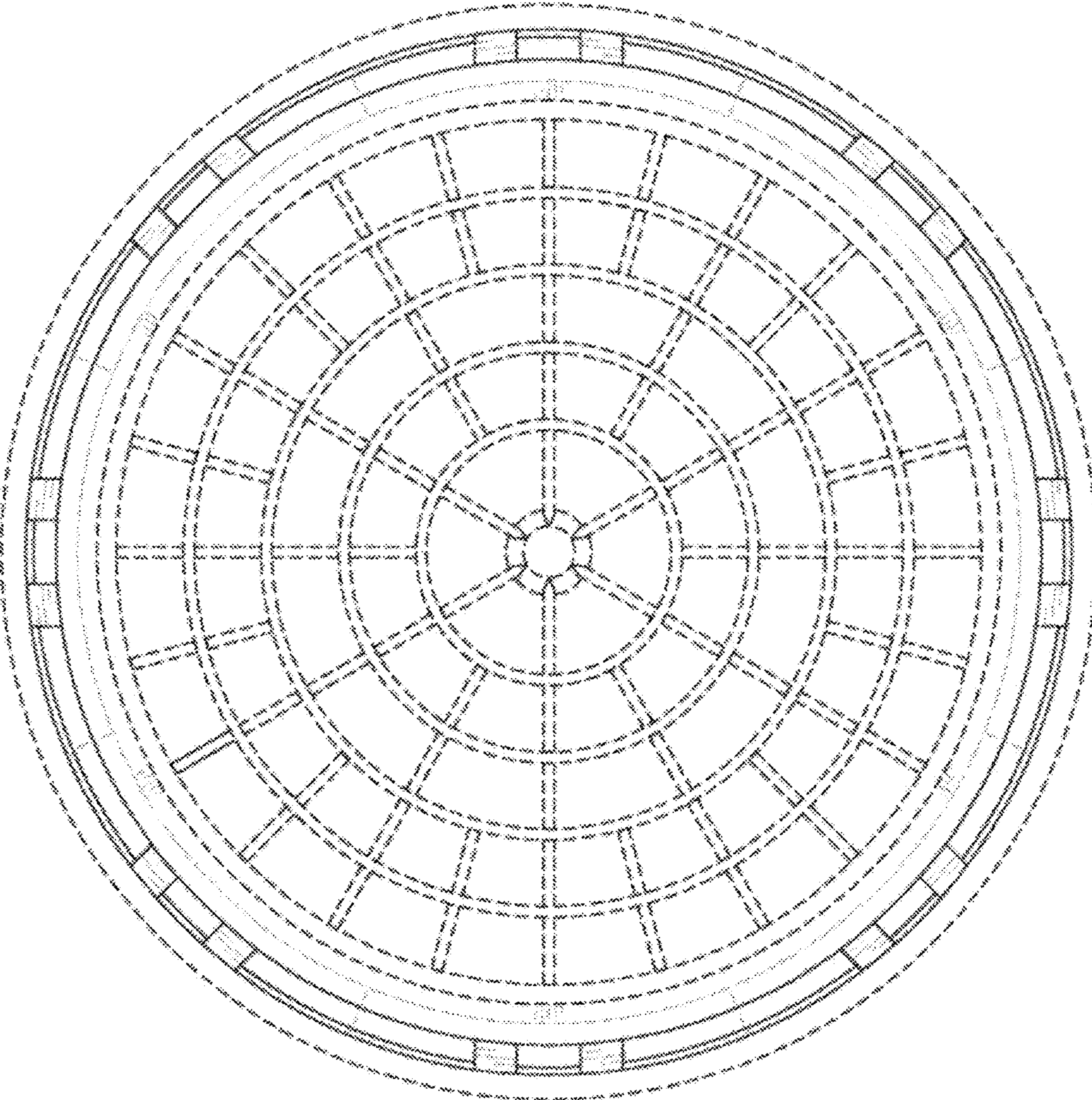


Fig. 4

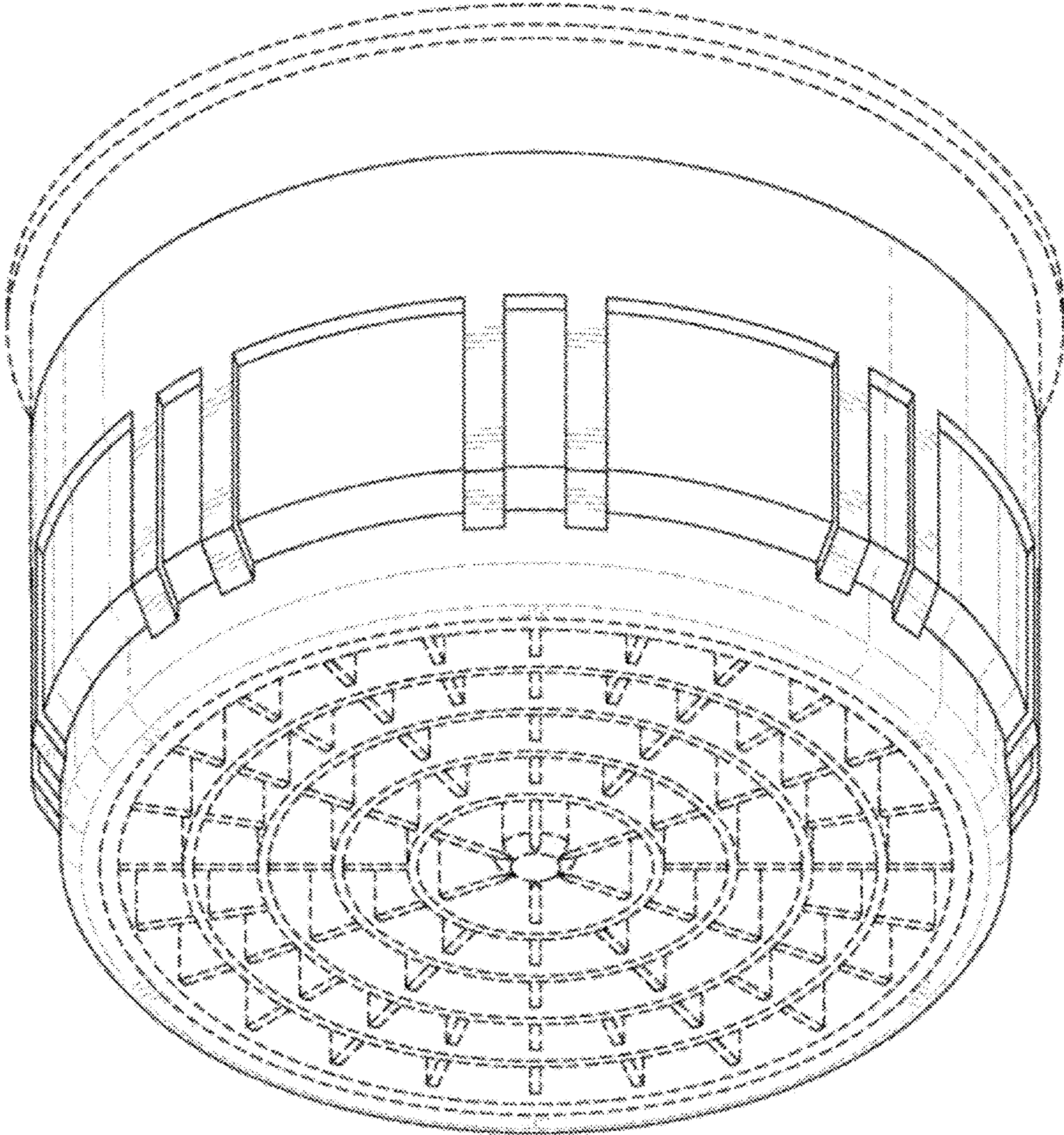


Fig. 5

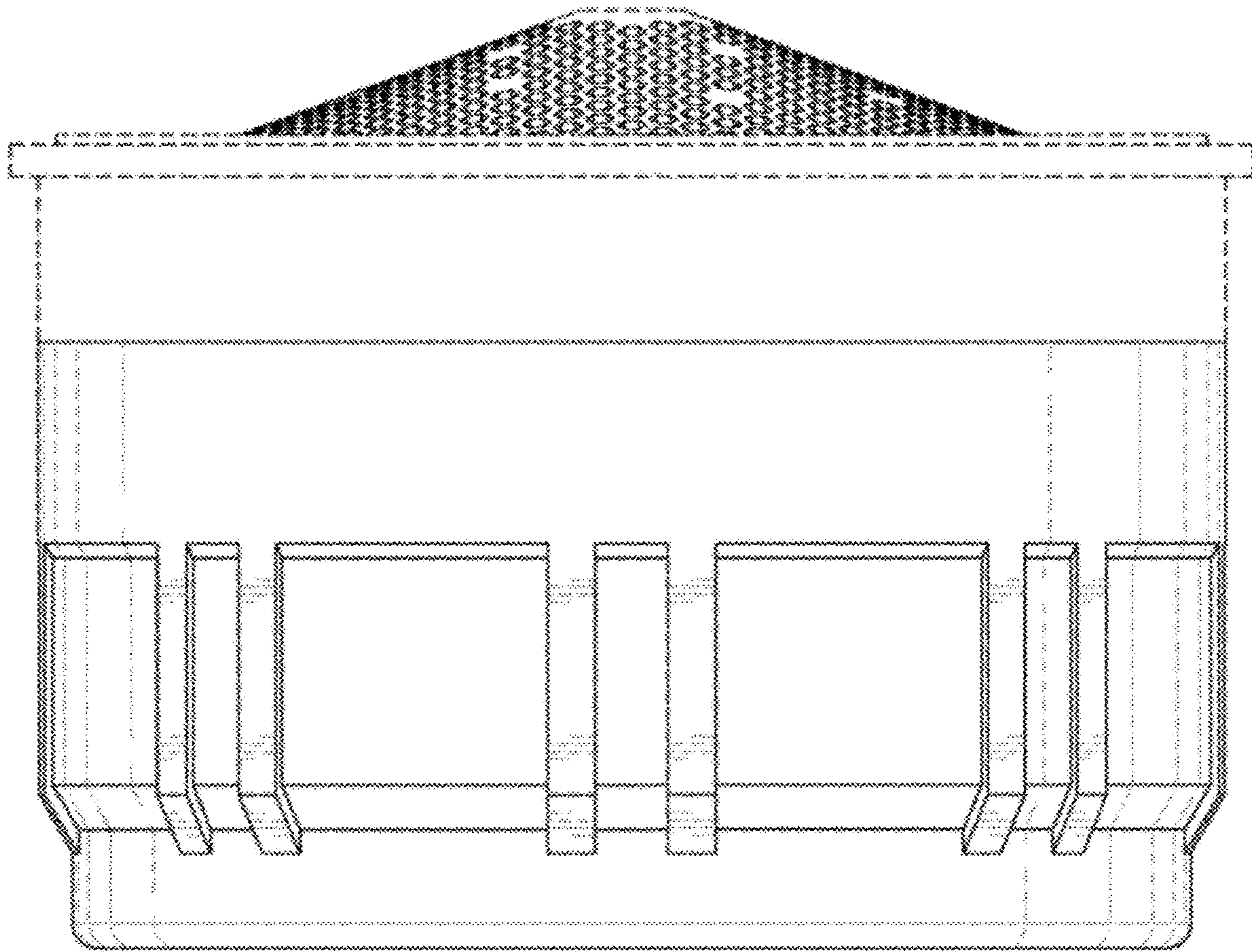


Fig. 6

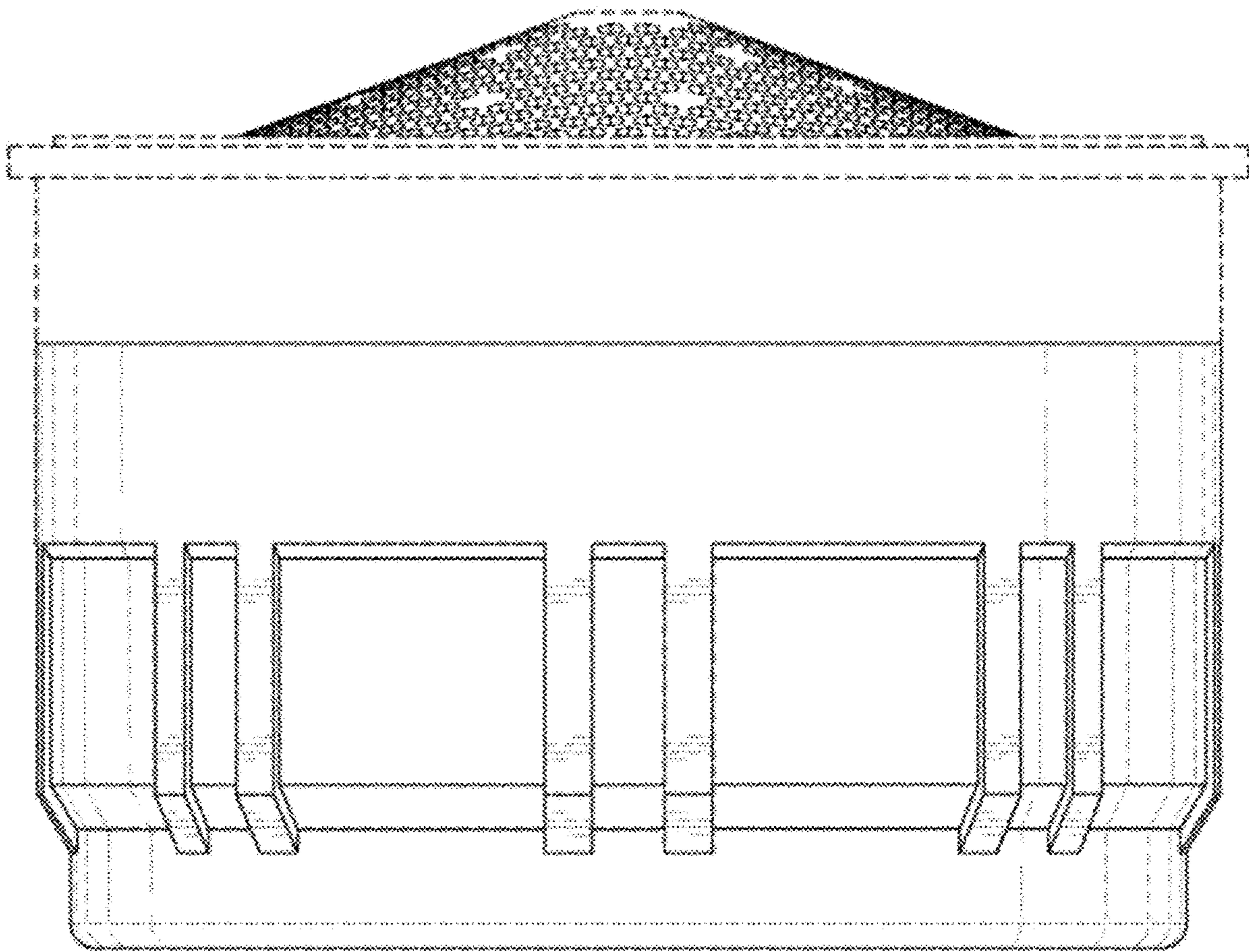


Fig. 7

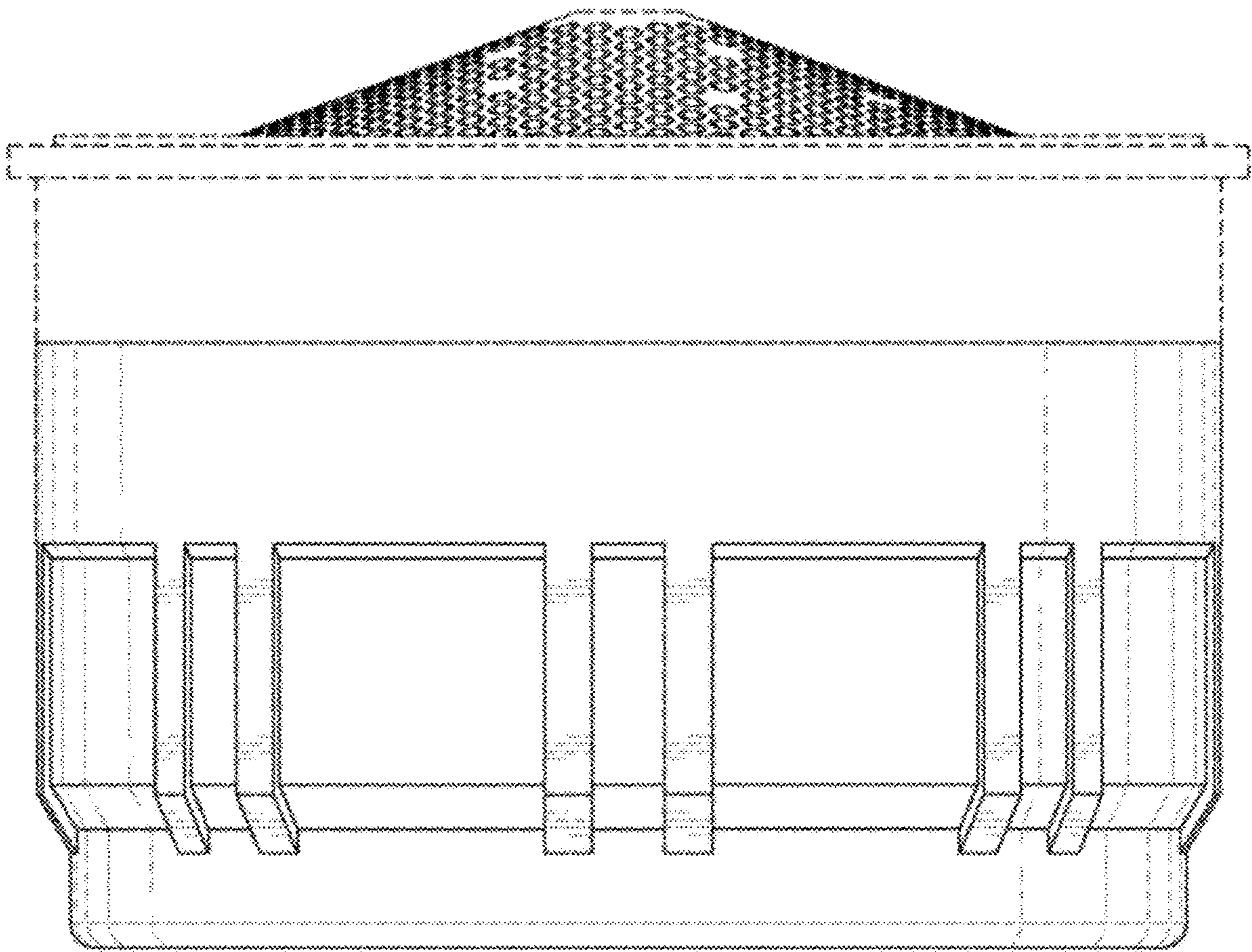


Fig. 8

