



US00D962382S

(12) **United States Design Patent** (10) **Patent No.:** **US D962,382 S**
Davis (45) **Date of Patent:** **** Aug. 30, 2022**

(54) **WATER FALL TABLE**

(71) Applicant: **Anthony E. Davis**, Damascus, AR (US)

(72) Inventor: **Anthony E. Davis**, Damascus, AR (US)

(**) Term: **15 Years**

(21) Appl. No.: **29/703,802**

(22) Filed: **Aug. 29, 2019**

(51) **LOC (13) Cl.** **23-01**

(52) **U.S. Cl.**
USPC **D23/200**

(58) **Field of Classification Search**
USPC D23/200, 201, 267; D21/815
CPC ... G09B 23/12; A47D 3/00; A63F 2250/0407;
A63F 2250/0414; A63F 2250/0421; A63F
2250/0428; A63G 21/18
See application file for complete search history.

(56) **References Cited**

U.S. PATENT DOCUMENTS

- 182,422 A * 9/1876 Dike E03F 3/046
405/119
- 1,546,209 A * 7/1925 Curtiss A63F 7/3622
273/120 R
- D257,591 S * 12/1980 Brown D21/815
- D257,618 S * 12/1980 Brown D21/815
- D259,887 S * 7/1981 Croushore D21/468
- D267,430 S * 12/1982 Lee 607/95
- D308,563 S * 6/1990 Knight D21/819
- D321,923 S * 11/1991 Ross D21/815
- 5,640,911 A 6/1997 Peters
- D437,629 S * 2/2001 Safer D23/201
- 6,349,654 B1 2/2002 Peters
- D492,385 S * 6/2004 Proch D23/201
- D498,266 S * 11/2004 Reeves, Jr. D21/312
- 6,964,595 B2 11/2005 Libretti
- D519,182 S * 4/2006 Sinchok D21/815
- 7,758,434 B1 * 7/2010 Johnson A63G 21/18
472/117
- 9,480,906 B1 * 11/2016 Peters G09B 23/12

- 10,328,352 B1 * 6/2019 Tam A63G 21/18
- 2002/0010030 A1 * 1/2002 Zeilinger A63B 17/02
472/117
- 2006/0189443 A1 * 8/2006 Finlinson A63G 21/04
482/29
- 2006/0278136 A1 12/2006 Sinclair et al.
(Continued)

OTHER PUBLICATIONS

Cadron Creek Play 2019 IAAPA Expo, Nov. 18, 2019, Facebook, site visited Nov. 30, 2021: <https://www.facebook.com/CadronCreekPlay/photos/a.1558976684189654/2612165402204105/?type=3> (Year: 2019).*

(Continued)

Primary Examiner — Jack Reickel
Assistant Examiner — Bobby W Jones, II
(74) *Attorney, Agent, or Firm* — Ryan Kromholz & Manion, S.C.

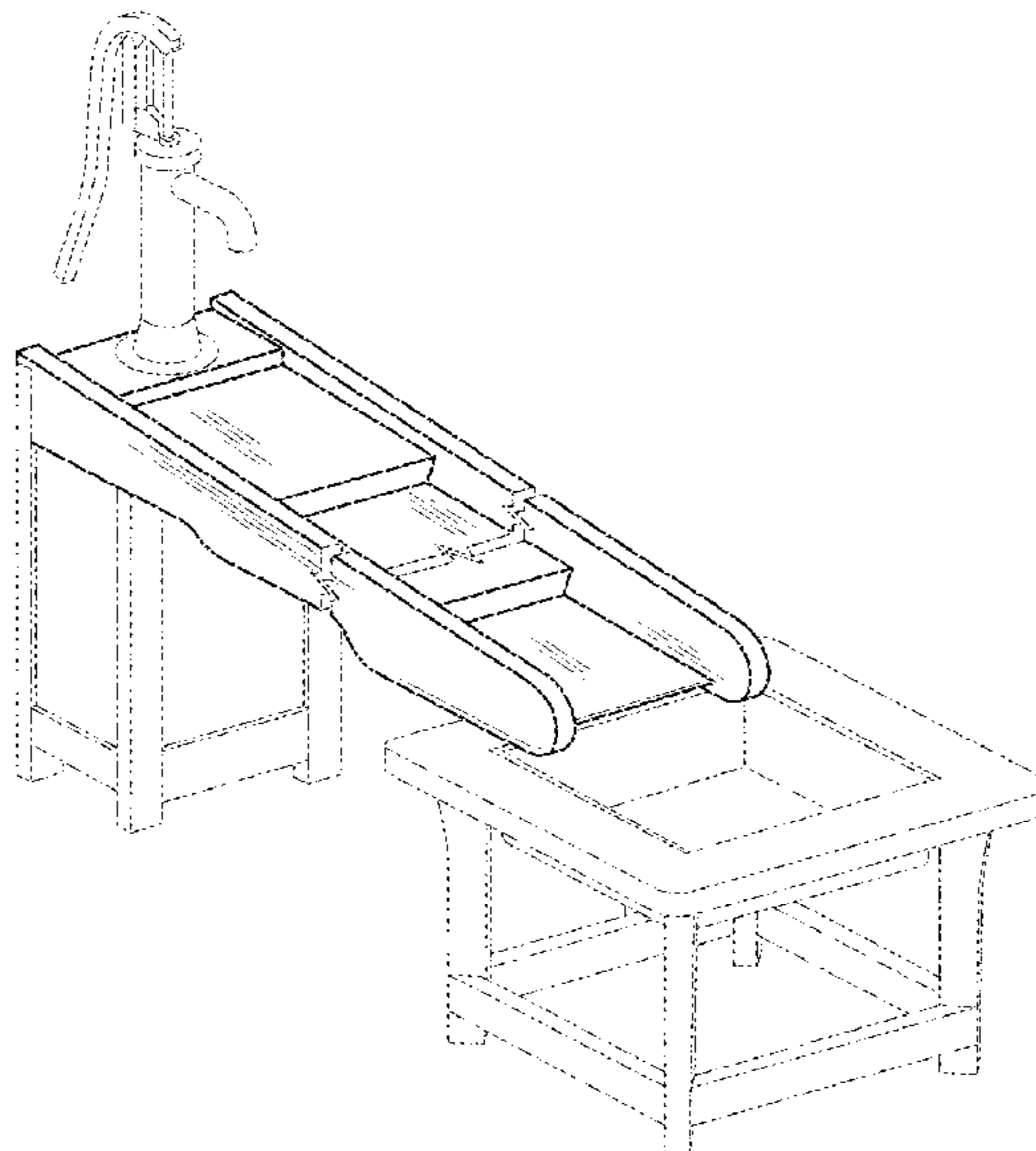
(57) **CLAIM**

The ornamental design for a water fall table, as shown and described.

DESCRIPTION

FIG. 1 is a perspective view of a first embodiment of the water fall table;
FIG. 2 is a right side elevation view thereof;
FIG. 3 is a left side elevation view thereof;
FIG. 4 is a top plan view thereof;
FIG. 5 is a front elevation view thereof; and,
FIG. 6 is a back side elevation view thereof.
The dot-dash lines in the drawings represent unclaimed subject matter and form no part of the claimed design.
The water fall table is shown with a symbolic break. Any portion between the break lines forms no part of the claimed design.

1 Claim, 3 Drawing Sheets



(56)

References Cited

U.S. PATENT DOCUMENTS

2012/0283033 A1* 11/2012 Ochi A63G 21/18
472/116
2013/0255406 A1* 10/2013 Jeong G09B 23/12
73/865.6

OTHER PUBLICATIONS

Outdoor Water Play Video Tables W Pump, Jan. 18, 2018, YouTube, site visited Nov. 30, 2021: <https://www.youtube.com/watch?v=f5orDsKF550> (Year: 2018).*

Blue Rabbit Play Outdoor Wavy Kids Slide, Nov. 29, 2018, Amazon, site visited Nov. 30, 2021: <https://www.amazon.com/dp/B074T2ZRXXV/> (Year: 2018).*

Outlast Water Play, Jul. 4, 2016, YouTube, site visited Nov. 30, 2021: https://www.youtube.com/watch?v=_09NIU6ArrM (Year: 2016).*

Webpage; <https://www.kompan.us/play/traditional-play/sand-water-play/waterfall/>; dated Aug. 6, 2019.

Webpage; <https://www.naturalplaygroundsstore.com/detail2.php?itemcode=HPWP-GMS>; dated Aug. 6, 2019.

Webpage; <https://www.naturalplaygroundsstore.com/detail2.php?recid=215>; dated Aug. 6, 2019.

Webpage; <https://www.amazon.com/Old-Fashioned-Pump-Water-Fountain/dp/B0066ETNH0/>; dated Aug. 6, 2019.

Webpage; <https://playworks.com.au/making-the-most-of-water-play/>; dated Aug. 6, 2019.

Webpage; <https://goric.com/products/farm-pump/>; dated Aug. 6, 2019.

Webpage; <http://www.rheber-holz-design.de/wasserspielanlagen-wasserspielplatz-wasserrad-und-wasserspiel.html>; dated Aug. 6, 2019.

Webpage; <https://www.communityplaythings.com/products/outdoor/w445-outlast-cascade-play-center/>; dated Aug. 6, 2019.

* cited by examiner

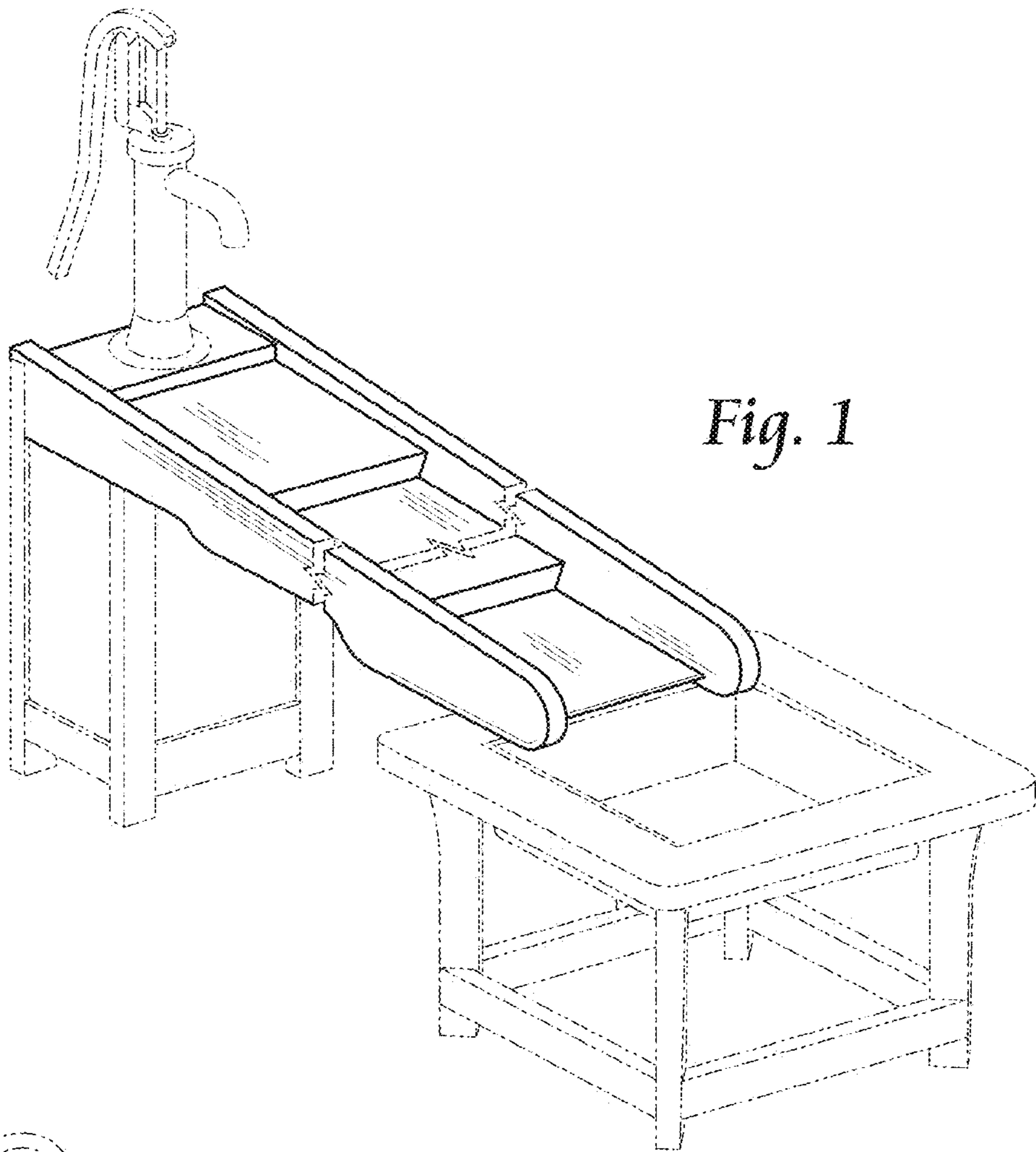


Fig. 1

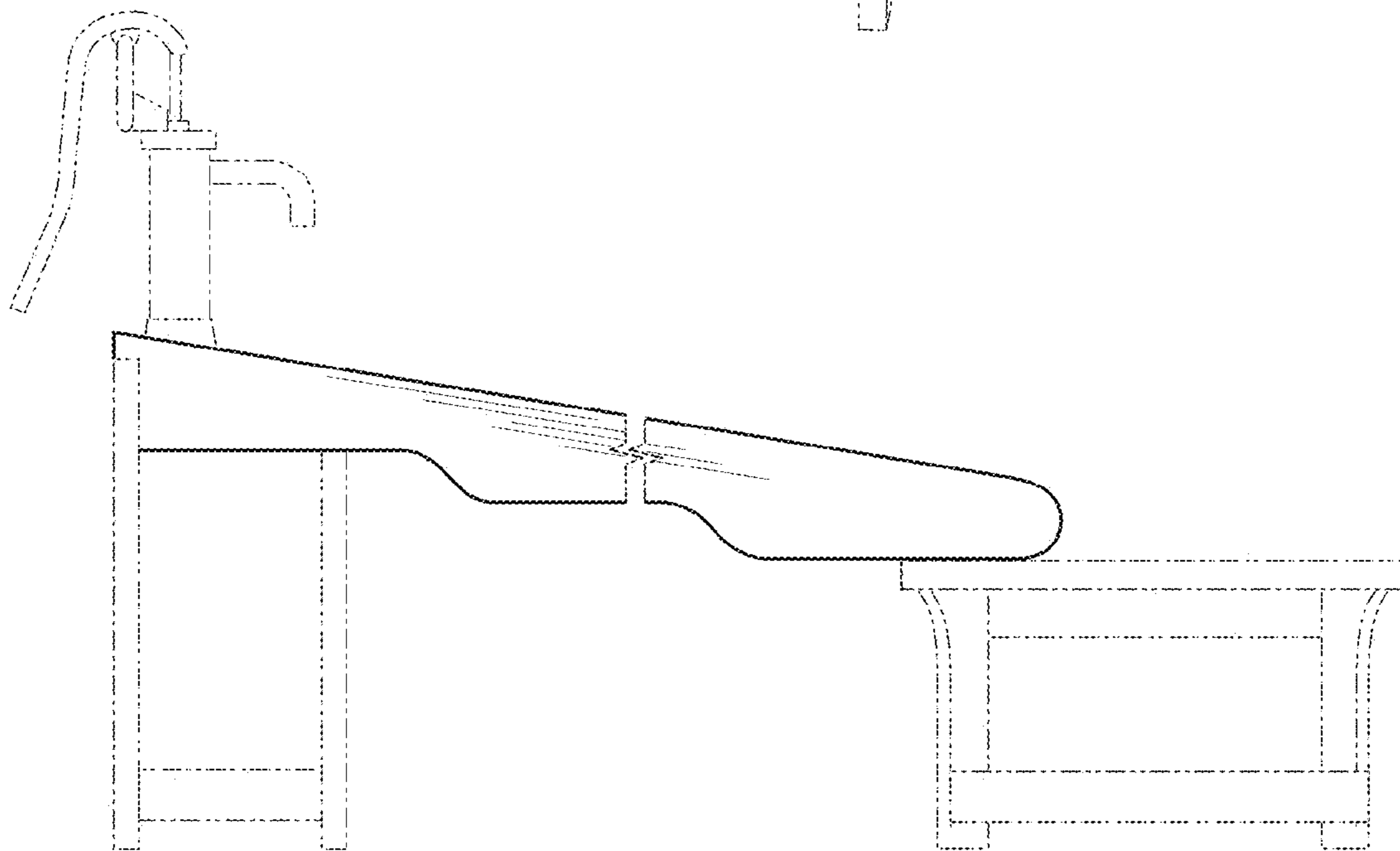


Fig. 2

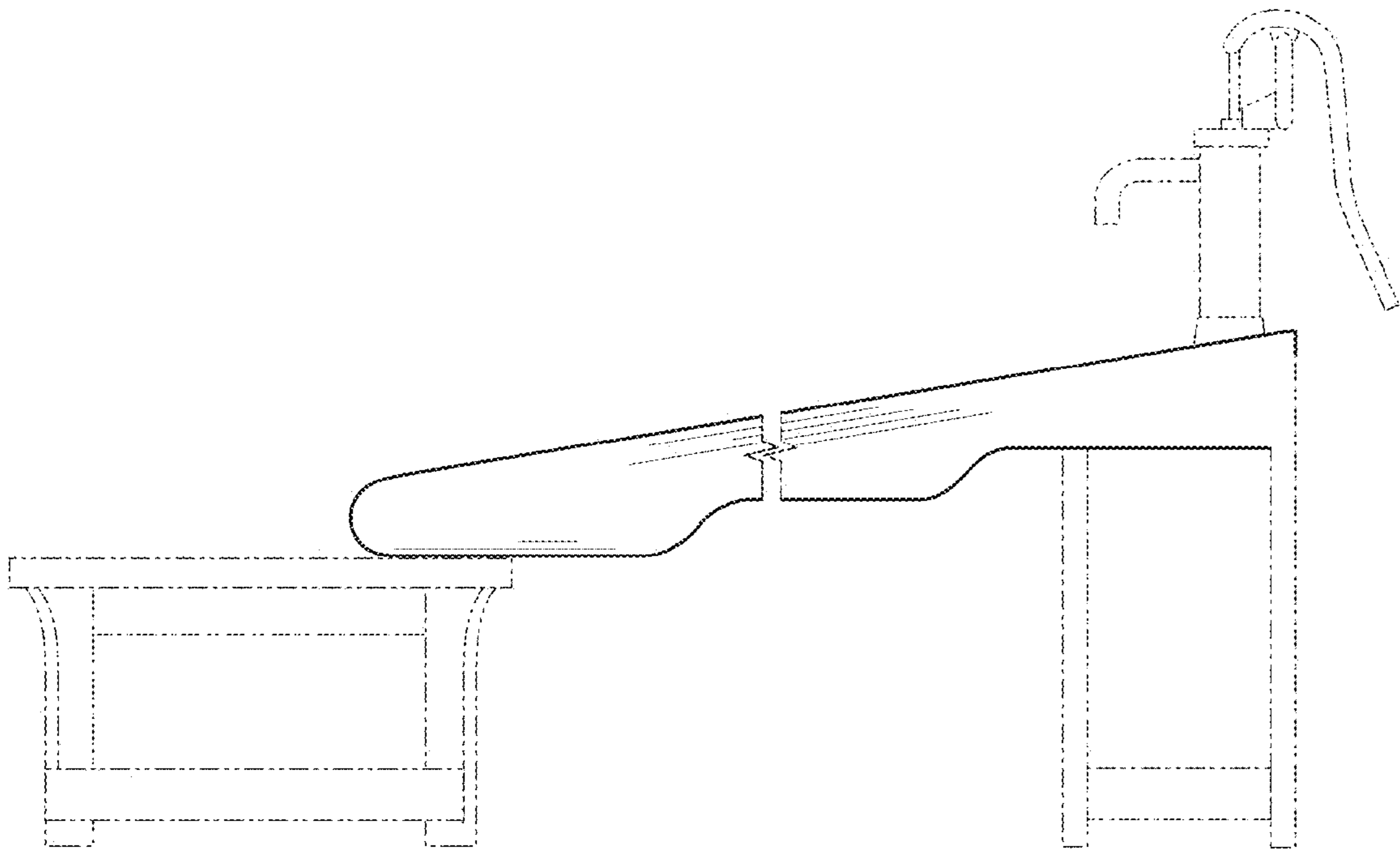


Fig. 3

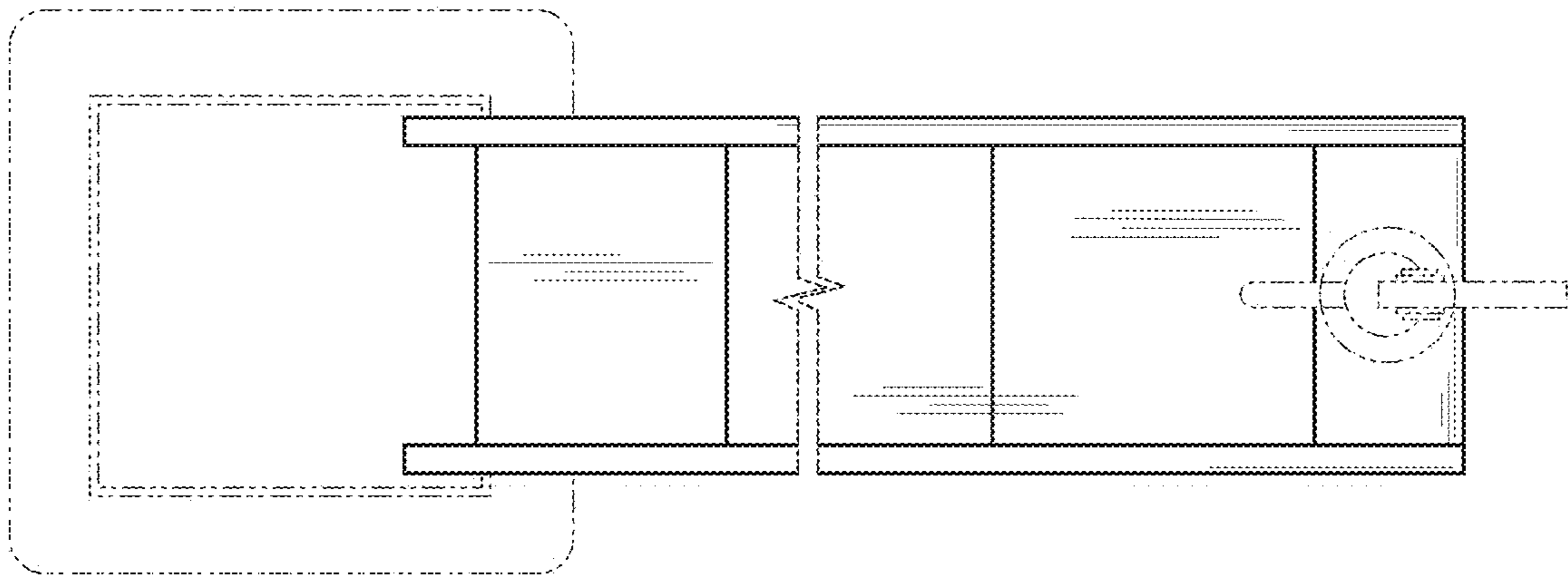


Fig. 4

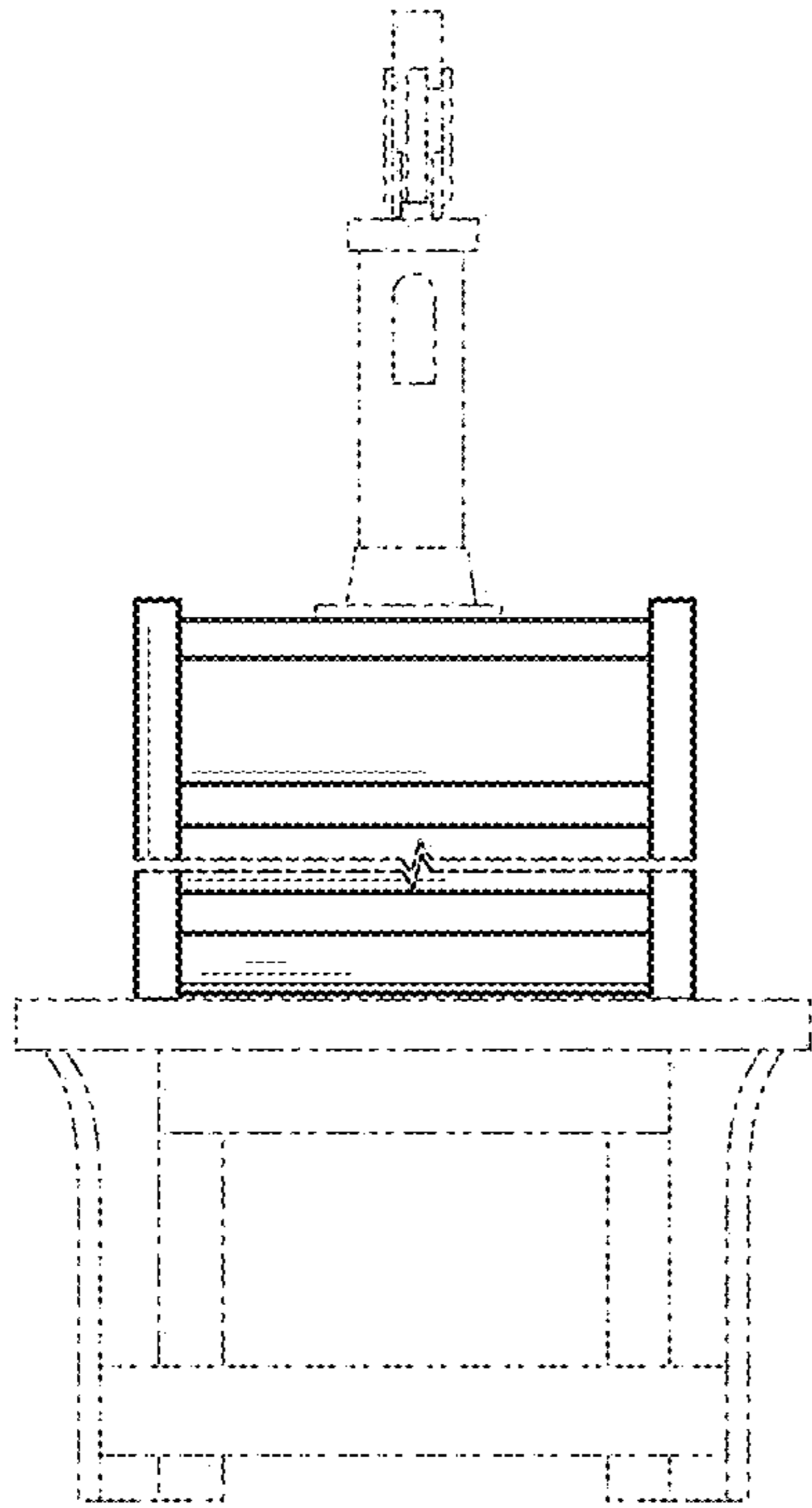


Fig. 5

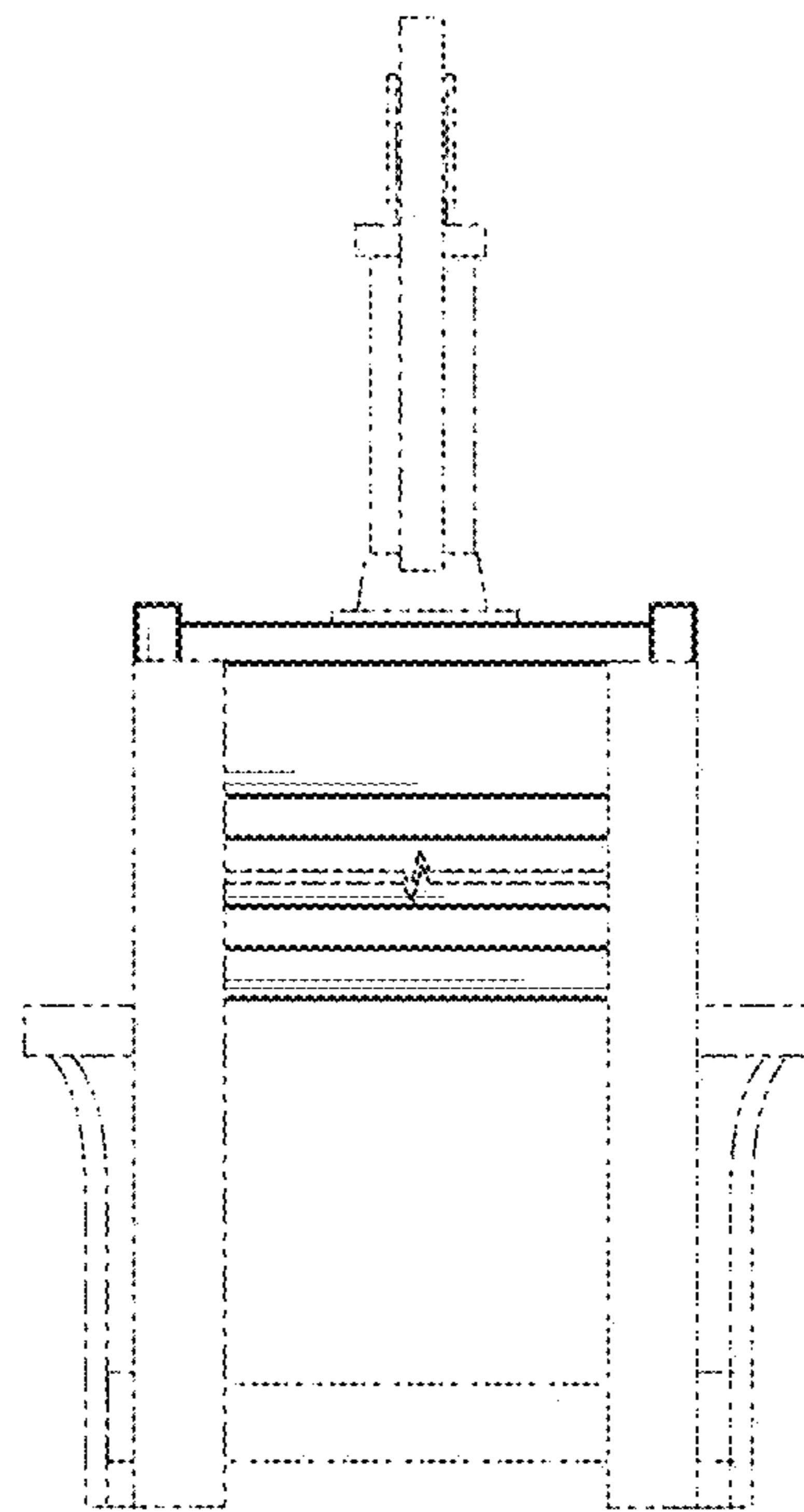


Fig. 6