

US00D962381S

(12) **United States Design Patent** (10) **Patent No.:** **US D962,381 S**
Haller et al. (45) **Date of Patent:** **** Aug. 30, 2022**

- (54) **TIPPET HOLDER**
- (71) Applicant: **The Orvis Company, Inc.**, Sunderland, VT (US)
- (72) Inventors: **Jesse George Haller**, Winhall, VT (US); **Richard Shawn Combs**, Winhall, VT (US)
- (73) Assignee: **The Orvis Company, Inc.**, Sunderland, VT (US)
- (**) Term: **15 Years**
- (21) Appl. No.: **29/744,277**
- (22) Filed: **Jul. 28, 2020**
- (51) **LOC (13) Cl.** **22-05**
- (52) **U.S. Cl.**
USPC **D22/134**
- (58) **Field of Classification Search**
USPC D22/134, 149; 43/20, 23; D3/272, 276, D3/279-280, 287, 904
CPC A01K 87/08; A01K 89/00; A01K 89/003; B65H 65/00; B65H 75/14
See application file for complete search history.

(56) **References Cited**

U.S. PATENT DOCUMENTS

1,630,058	A *	5/1927	Cundey	B65H 75/14 242/118.62
3,261,569	A *	7/1966	Bedell	A01K 89/003 24/369
3,937,419	A *	2/1976	Bon	A01K 89/00 242/609
4,776,527	A *	10/1988	Prowant	A01K 89/003 43/25
4,948,064	A *	8/1990	Richard	A01K 89/003 242/596.7
8,919,690	B1 *	12/2014	Fromm	A01K 89/003 242/390.8

OTHER PUBLICATIONS

https://www.cabelas.com/shop/en/orvis-sling-pack?ds_e=GOOGLE&dsRe_c=Shop%7CGeneric7CAllProducts%7CHigh%7CSSCCatchAll&gclid=EAlalQobChMI48S0tavO9gIVu_DjBx2gsQDcEAQYCSABEgLGivD_BwE&gclsrc=aw.ds (Year: 2021).*

https://store.bluequillangler.com/fishpond-fishpond-headgate-tippet-holder.html?source=googlebase&gclid=EAlalQobChMlo4yKmJCj9wIVmsDICH0i0w9HEAQYASABEgl4yvD_BwE (Year: 2022).*
https://www.basspro.com/shop/en/scientific-anglers-outpost-tippet-holder?hvarAID=shopping_googleproductextensions&ds_e=GOOGLE&ds_c=Shop%7CBPS%7CLowPerformers%7CFishing&gclid=EAlalQobChMI1-ny2Omg9wIVh8izCh06MgdEEAkYCSABEglADvD_BwE&gclsrc=aw.ds 2006-2022—no reviews.*

* cited by examiner

Primary Examiner — Catherine R Oliver-Garcia

(74) *Attorney, Agent, or Firm* — BakerHostetler

(57) **CLAIM**

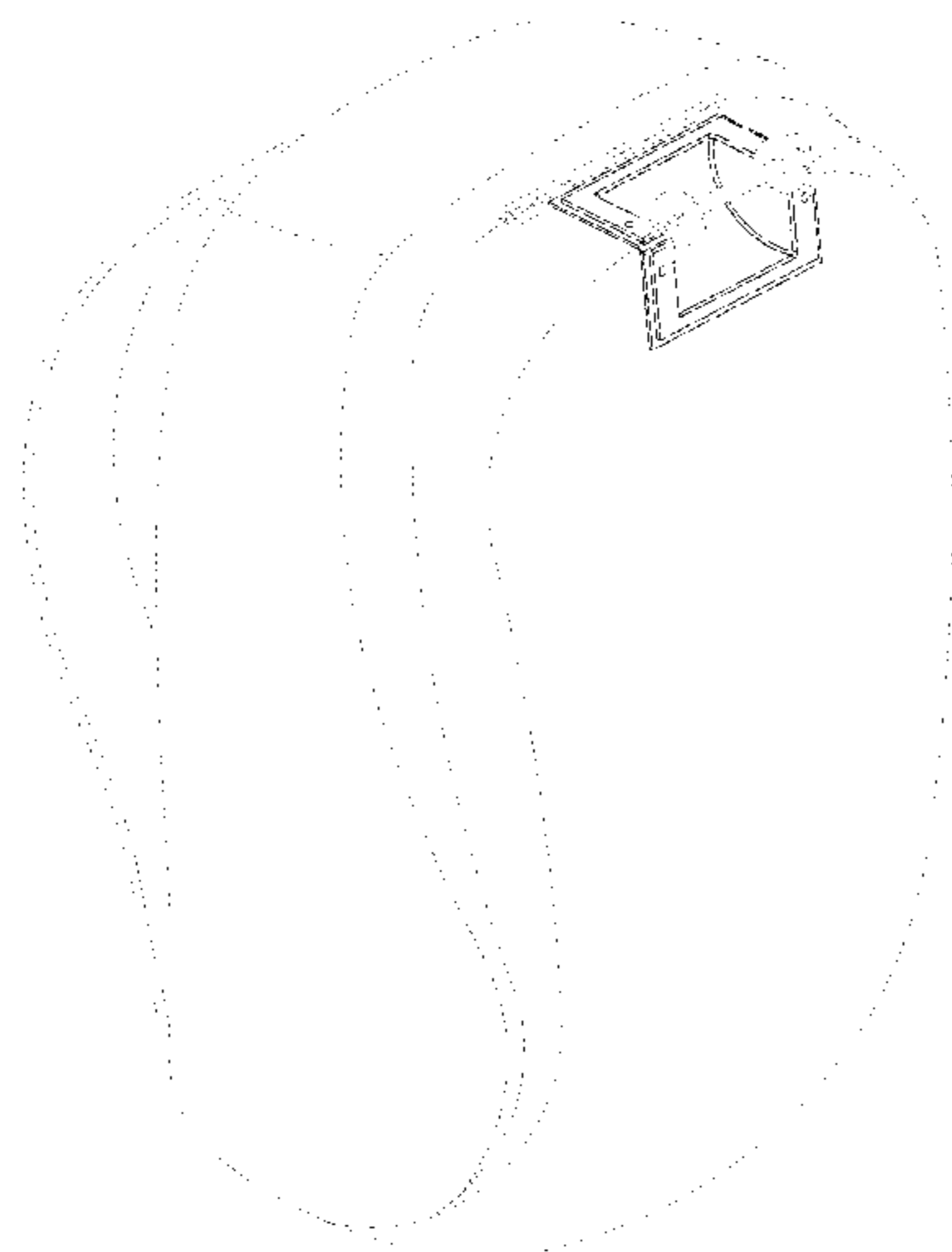
We claim the ornamental design for a tippet holder, as shown and described.

DESCRIPTION

FIG. 1 is a top, right, front perspective view of an aspect of a tippet holder on a pack according to our design; FIG. 2 is a top, left, perspective view of the tippet holder illustrated in FIG. 1; FIG. 3 is a bottom, left, perspective view of the tippet holder illustrated in FIG. 1; FIG. 4 is a front elevation view of the tippet holder illustrated in FIG. 1; FIG. 5 is a rear elevation view of the tippet holder illustrated in FIG. 1; FIG. 6 is a left elevation view of the tippet holder illustrated in FIG. 1; FIG. 7 is a right elevation view of the tippet holder illustrated in FIG. 1; FIG. 8 is a top plan view of the tippet holder illustrated in FIG. 1; and, FIG. 9 is a bottom plan view of the tippet holder illustrated in FIG. 1.

The broken line showing of a pack, tippet spool and attachments are included for the purpose of illustrating environmental structure only and form no part of the claimed design.

1 Claim, 5 Drawing Sheets



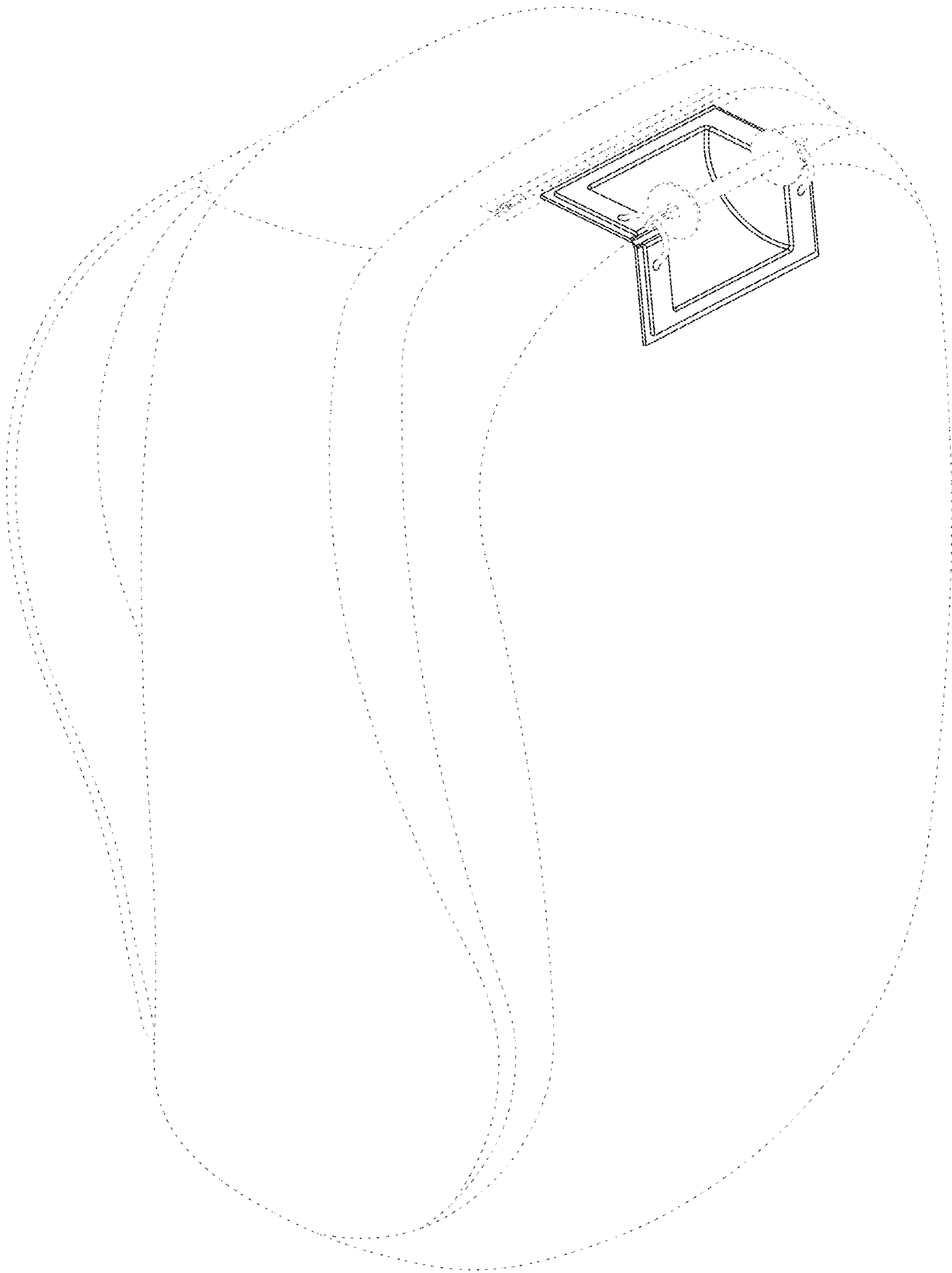


FIG. 1

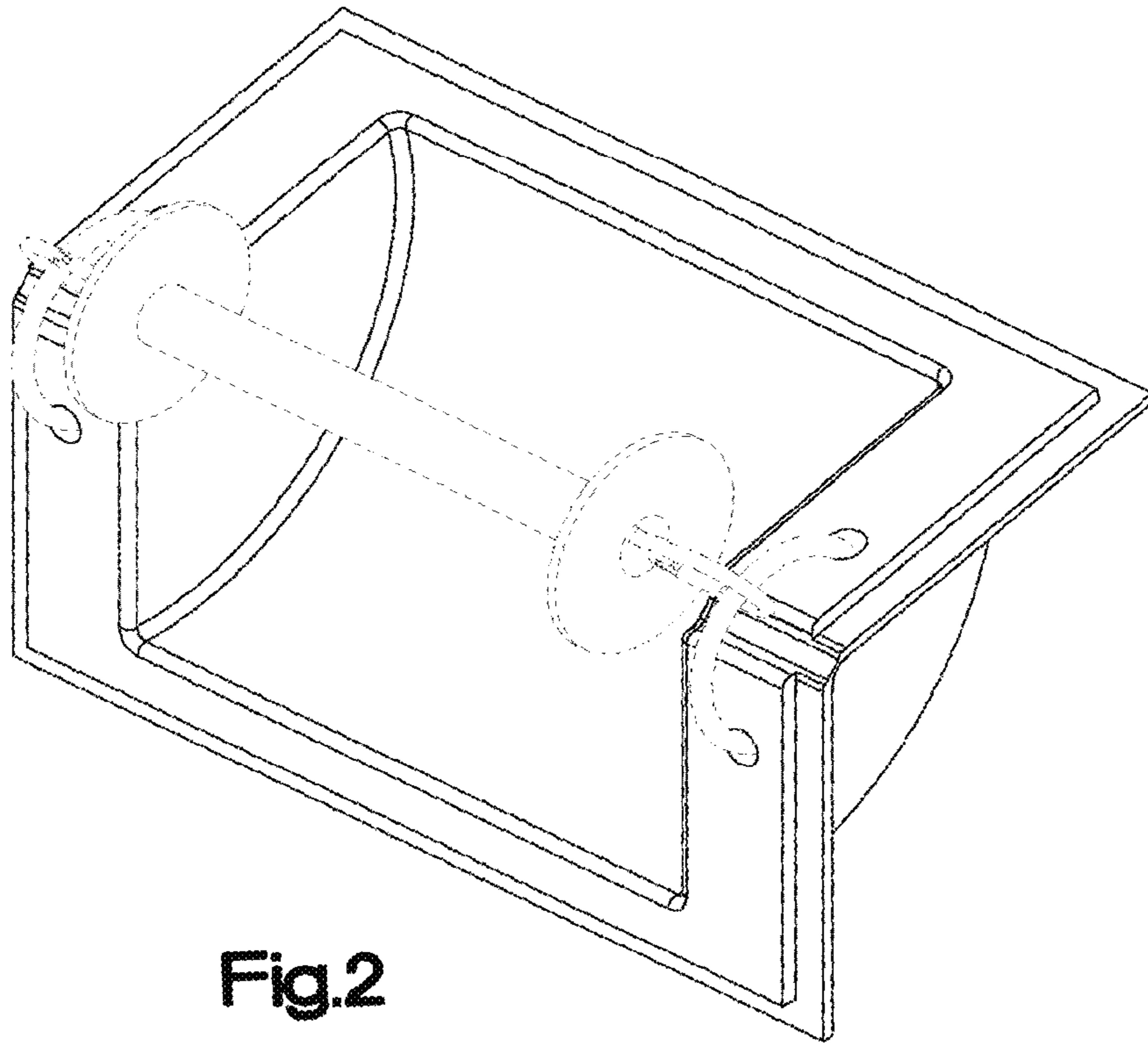


Fig.2

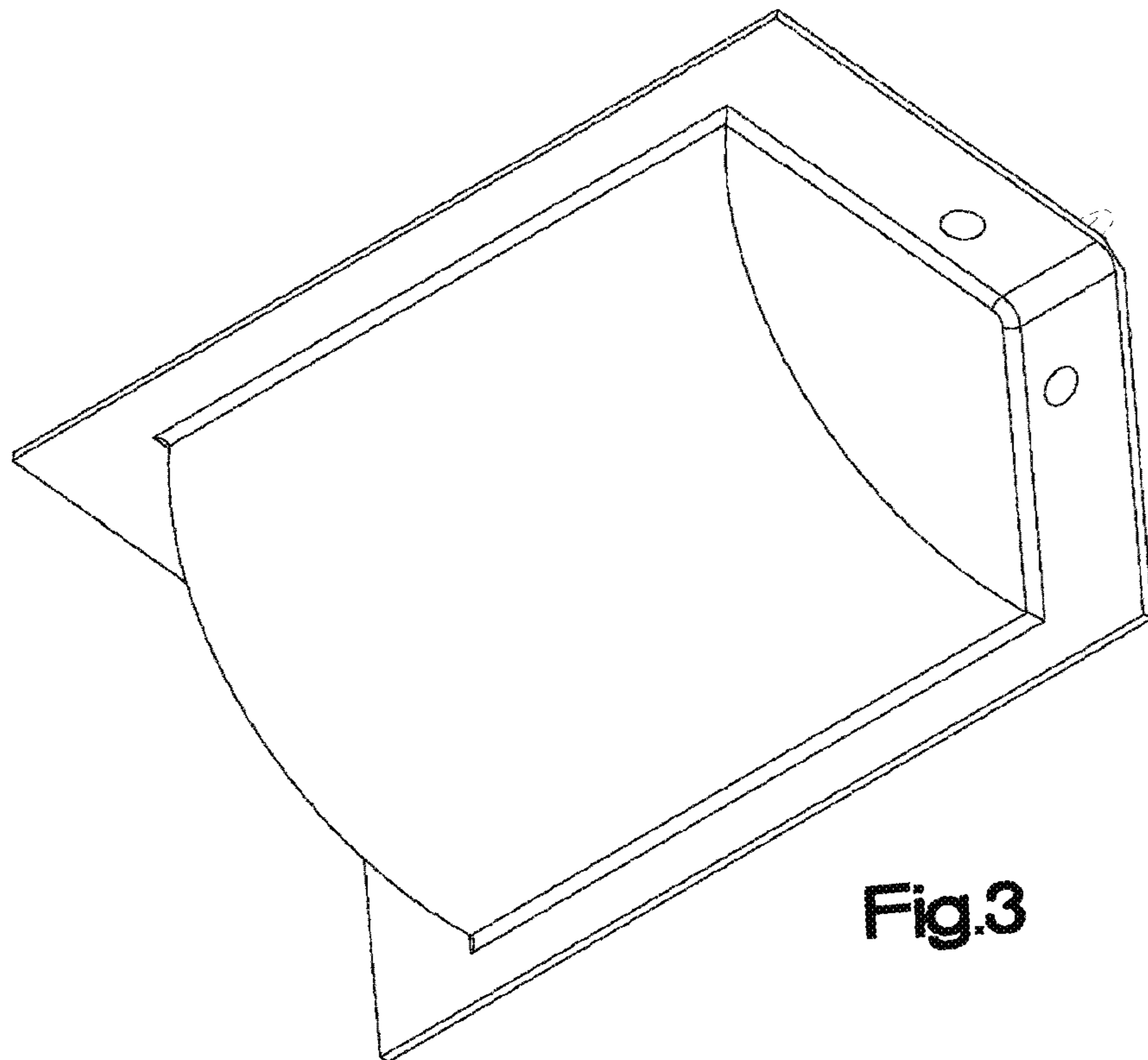


Fig.3

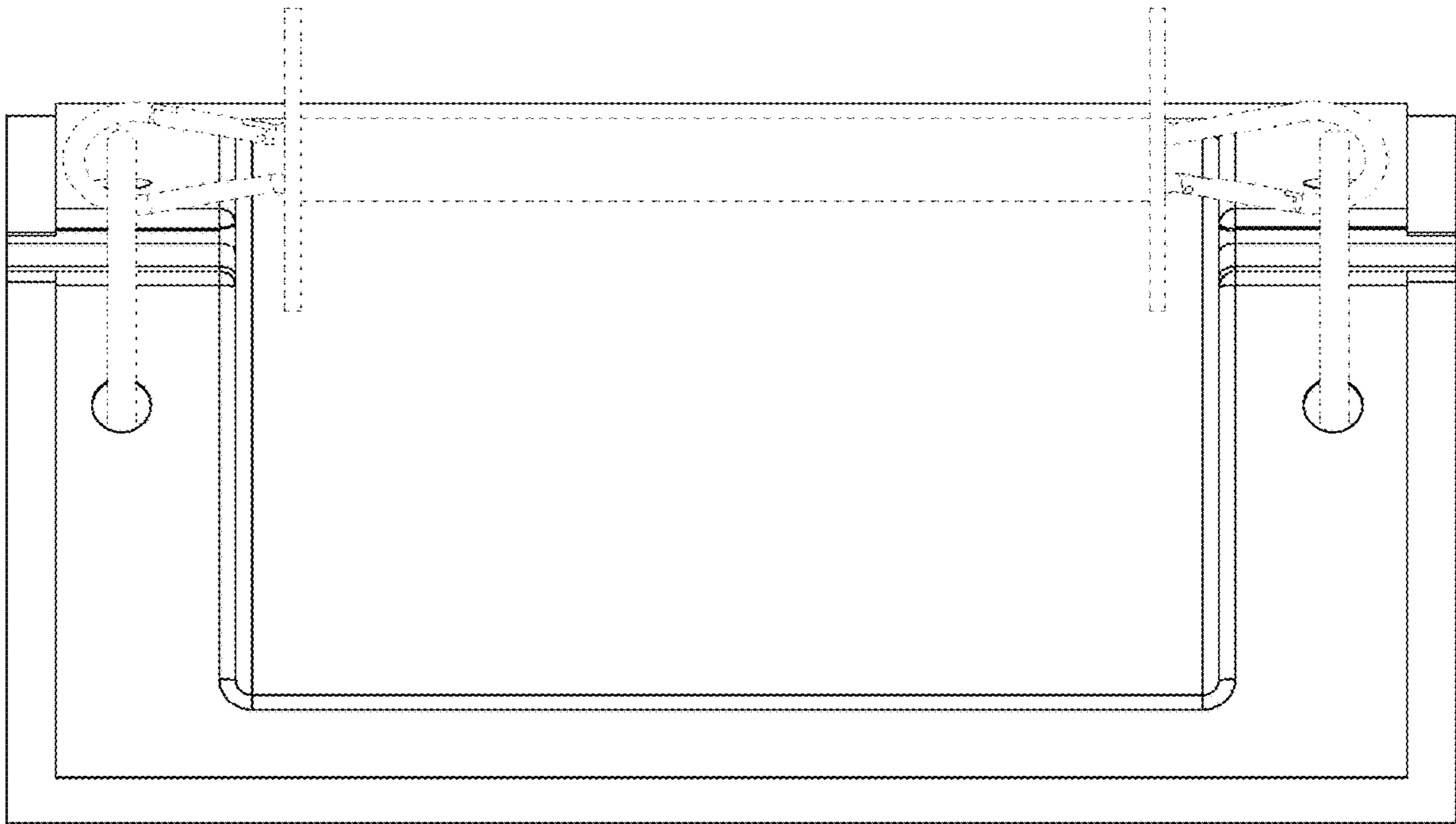


Fig.4

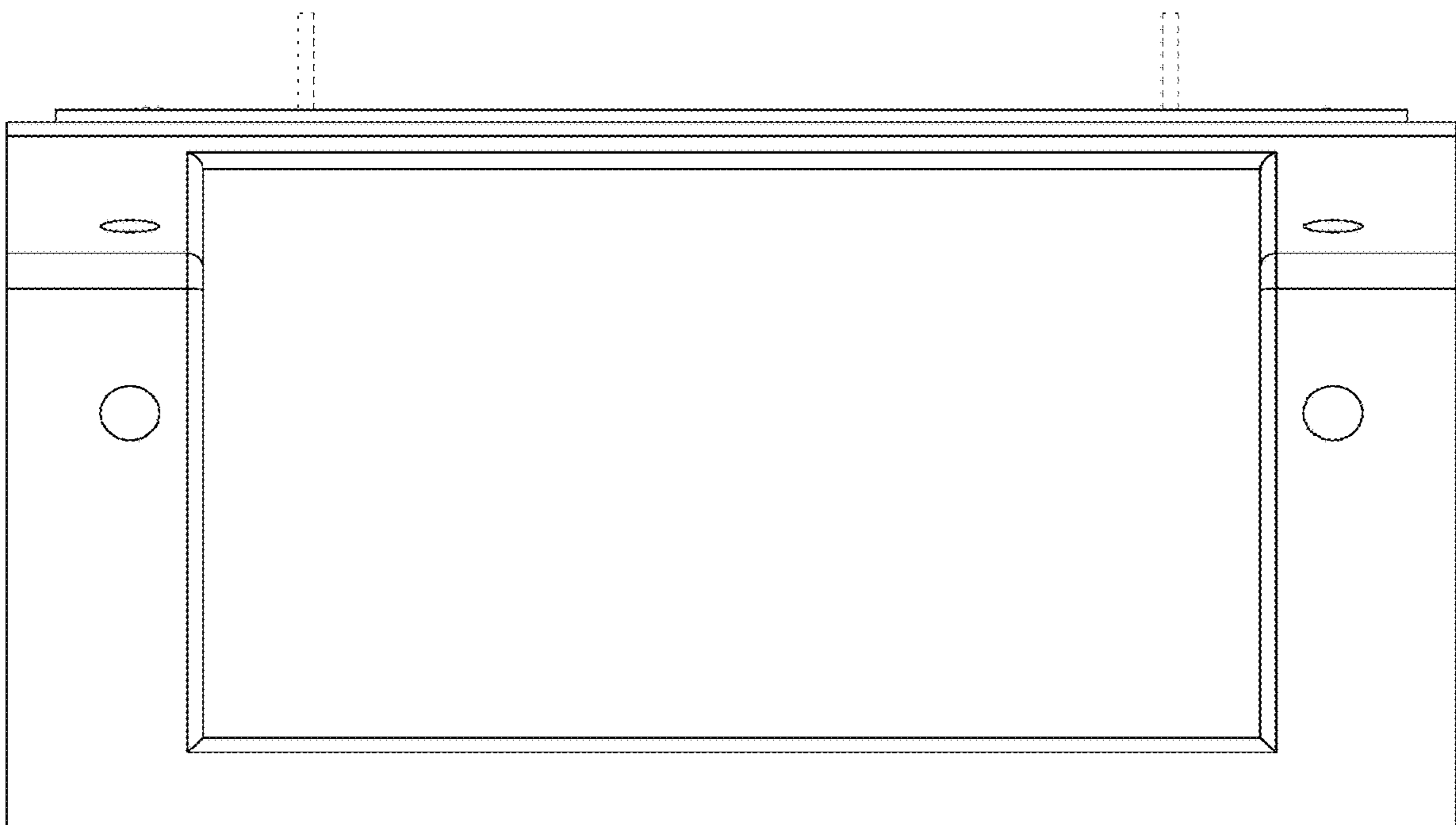


Fig.5

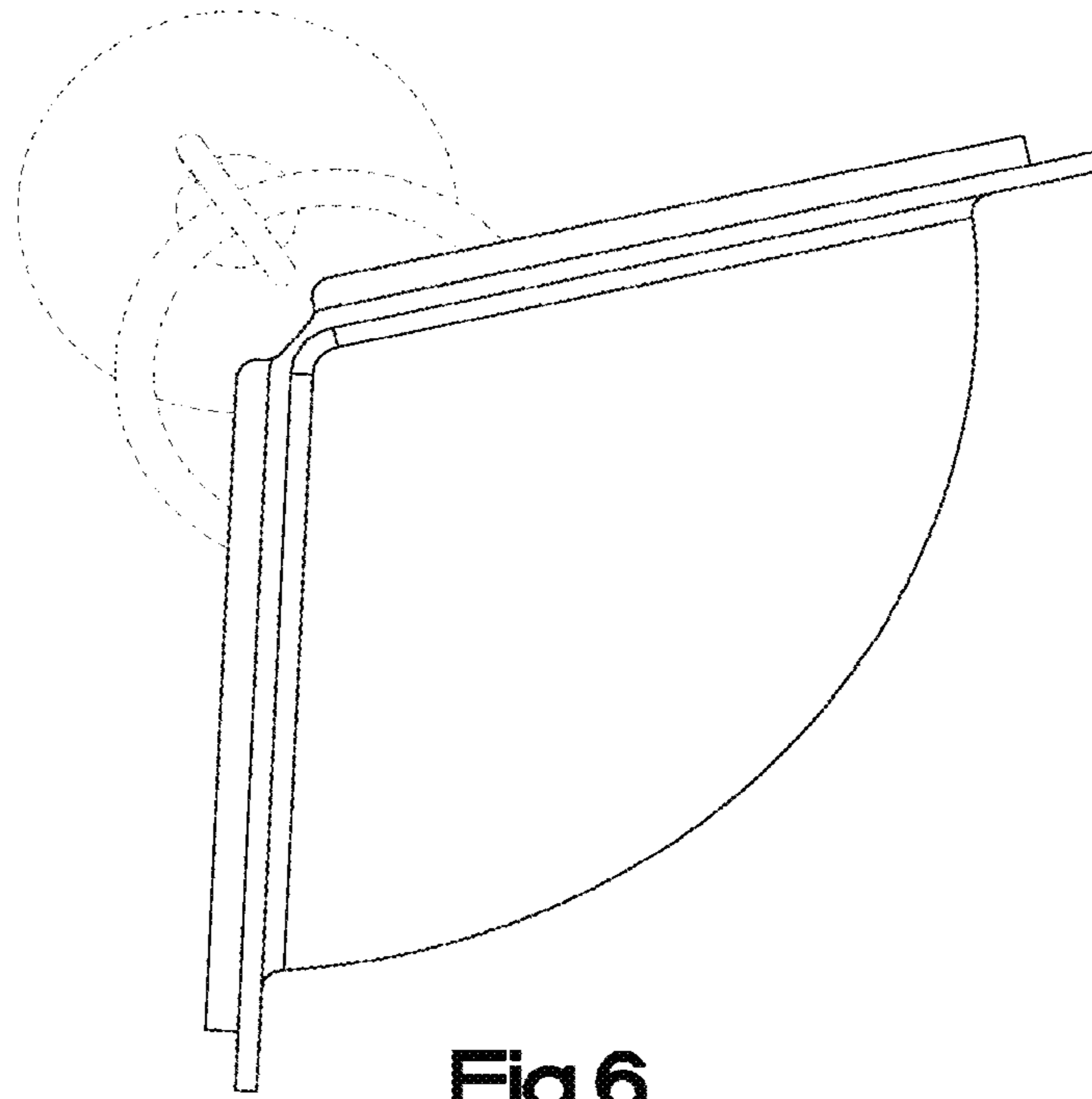


Fig.6

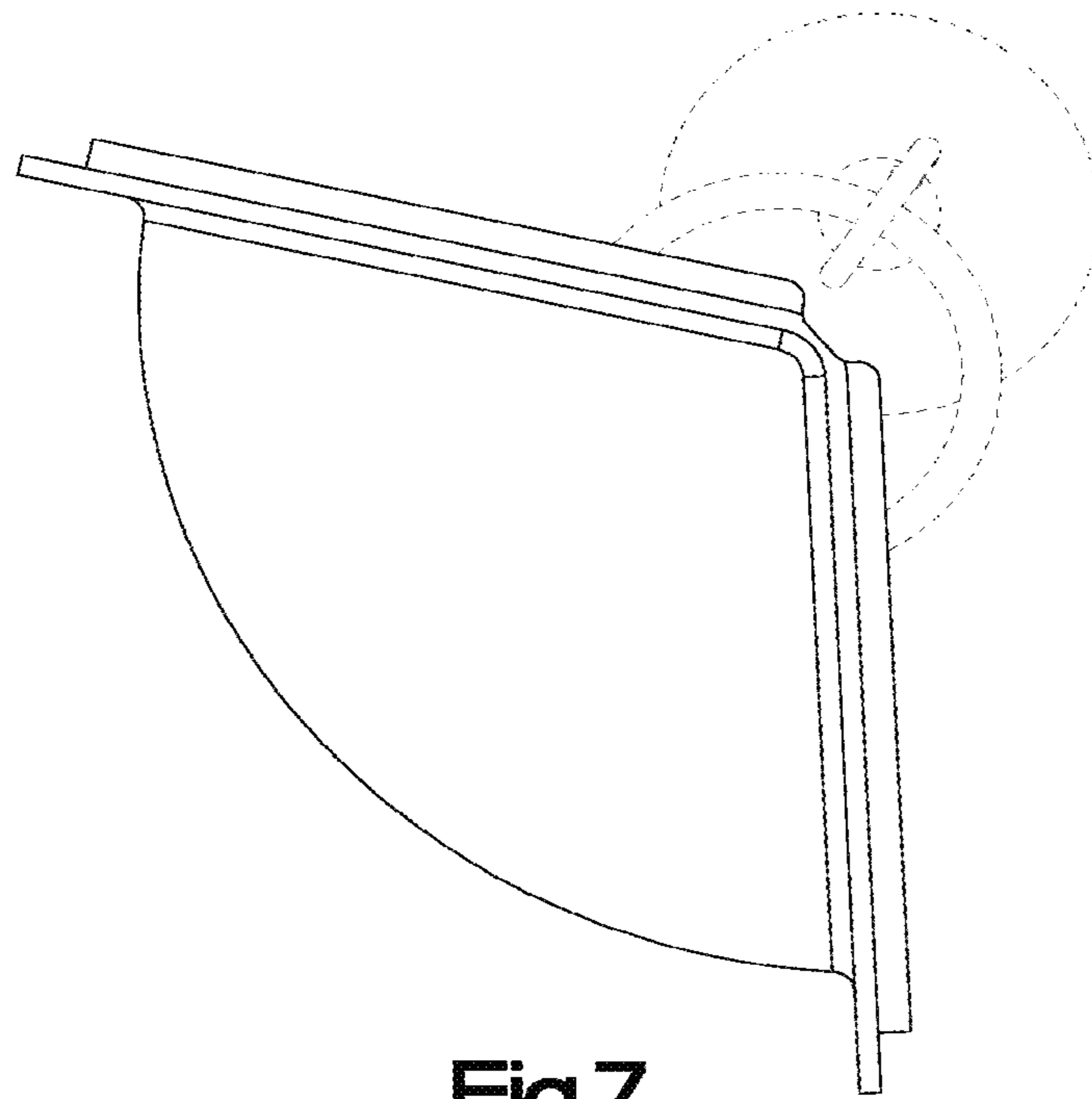


Fig.7



Fig.8

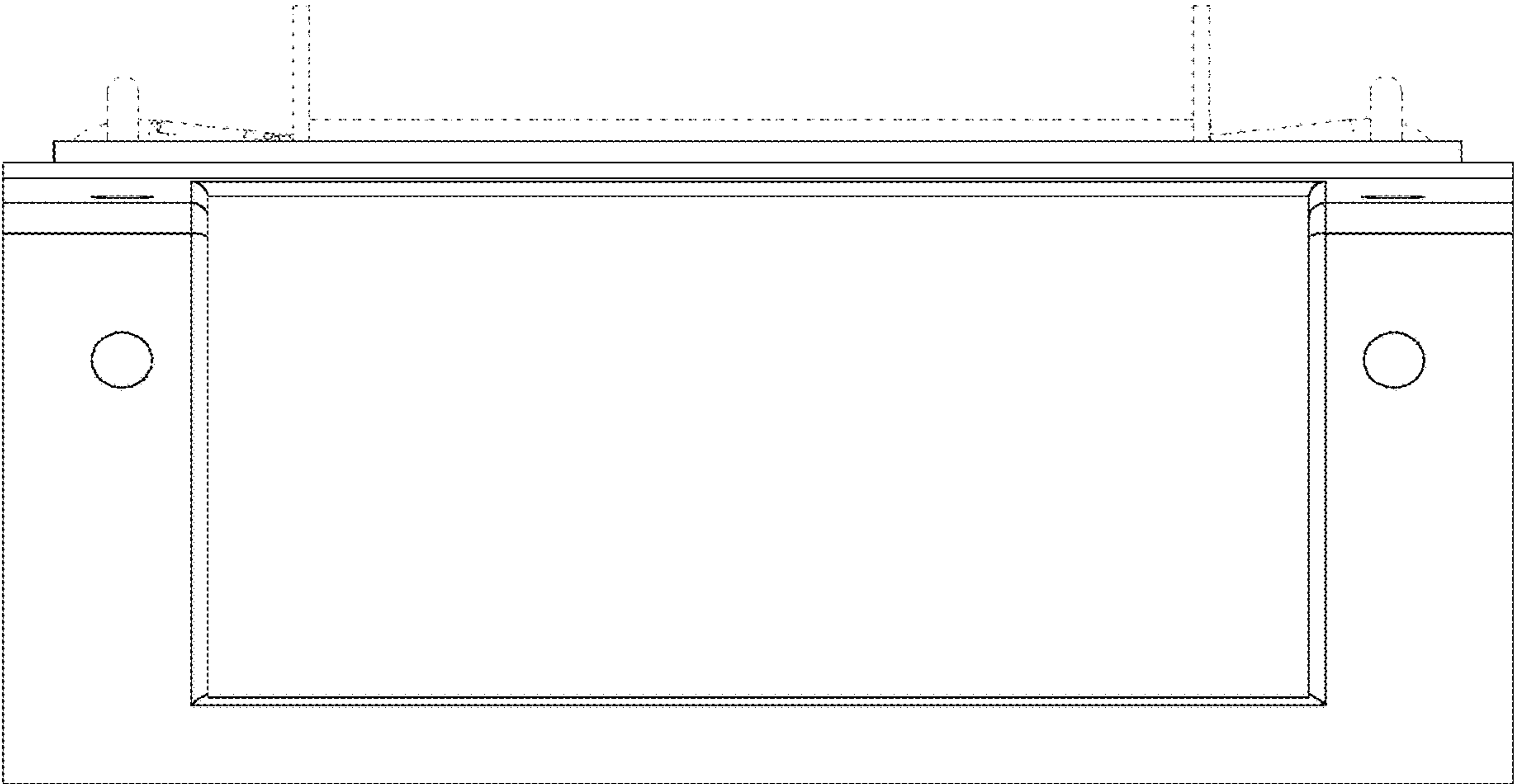


Fig.9