

US00D962380S

(12) **United States Design Patent**
Zhang

(10) **Patent No.:** **US D962,380 S**

(45) **Date of Patent:** **** Aug. 30, 2022**

(54) **REPELLER FOR PESTS, BIRDS AND ANIMALS**

(71) Applicant: **FORTUNE YOUNG CO., LIMITED**,
Jiangsu (CN)

(72) Inventor: **Jian Zhang**, Jiangsu (CN)

(73) Assignee: **FORTUNE YOUNG CO., LIMITED**,
Nanjing (CN)

(**) Term: **15 Years**

(21) Appl. No.: **29/765,327**

(22) Filed: **Jan. 7, 2021**

(30) **Foreign Application Priority Data**

Oct. 20, 2020 (CN) 202030623411.2

(51) **LOC (13) Cl.** **22-06**

(52) **U.S. Cl.**
USPC **D22/120**

(58) **Field of Classification Search**

USPC D22/119–120, 122; D26/2–4, 24, 26,
D26/36–37, 113, 118–119; D23/366–367

CPC A01M 1/02; A01M 1/103; A01M 1/106;
A01M 23/00; A01M 29/18; A01M 29/24;
A01M 29/34; A01M 2200/011; F21S
8/035

See application file for complete search history.

(56) **References Cited**

U.S. PATENT DOCUMENTS

D526,696 S * 8/2006 Boyd D22/120
D606,642 S * 12/2009 Weggelaar D23/366

D630,702 S * 1/2011 Levine D22/120
D751,683 S * 3/2016 Furner D23/368
D842,962 S * 3/2019 Liu D22/120
D853,547 S * 7/2019 Avidor D23/366
D860,378 S * 9/2019 Chen D22/120
D865,927 S * 11/2019 Baek D23/325
D873,402 S * 1/2020 Brandenburg D23/366
D895,096 S * 9/2020 Brandenburg D23/366
D915,641 S * 4/2021 Zhan D26/24
D925,785 S * 7/2021 Baldwin D26/26
D939,683 S * 12/2021 Davis D23/366
D940,357 S * 1/2022 Wang D26/4
D945,588 S * 3/2022 Xanthos D23/366
2016/0215483 A1 * 7/2016 Landon A01M 1/20

* cited by examiner

Primary Examiner — Catherine R Oliver-Garcia

(74) *Attorney, Agent, or Firm* — Hudak, Shunk & Farine
Co. LPA

(57) **CLAIM**

The ornamental design for a repeller for pests, birds and animals, as shown and described.

DESCRIPTION

FIG. 1 is a front view of a repeller for pests, birds and animals;

FIG. 2 is a rear view thereof;

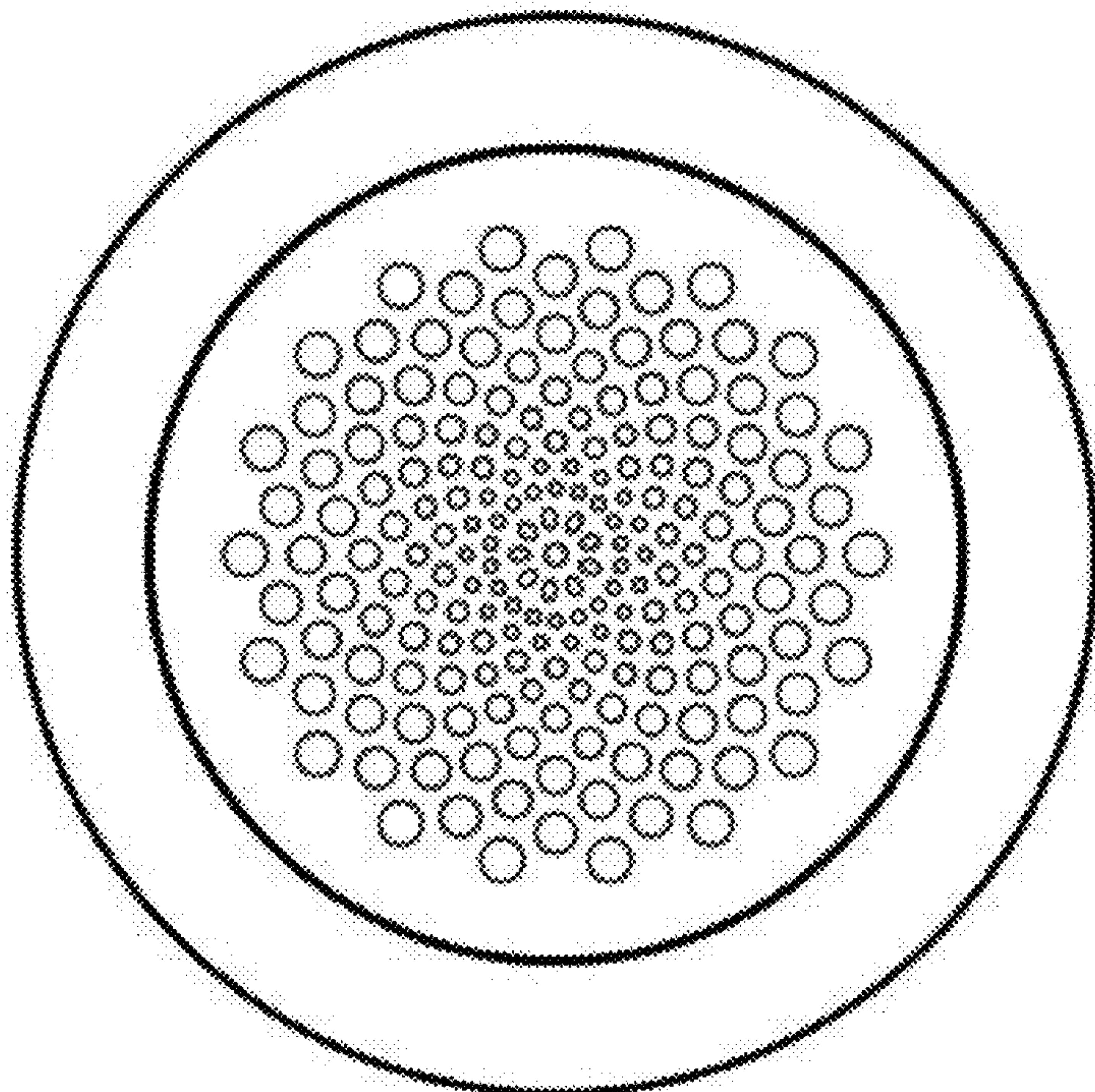
FIG. 3 is a left side view thereof;

FIG. 4 is a right side view thereof;

FIG. 5 is a top view thereof; and,

FIG. 6 is a bottom view thereof.

1 Claim, 3 Drawing Sheets



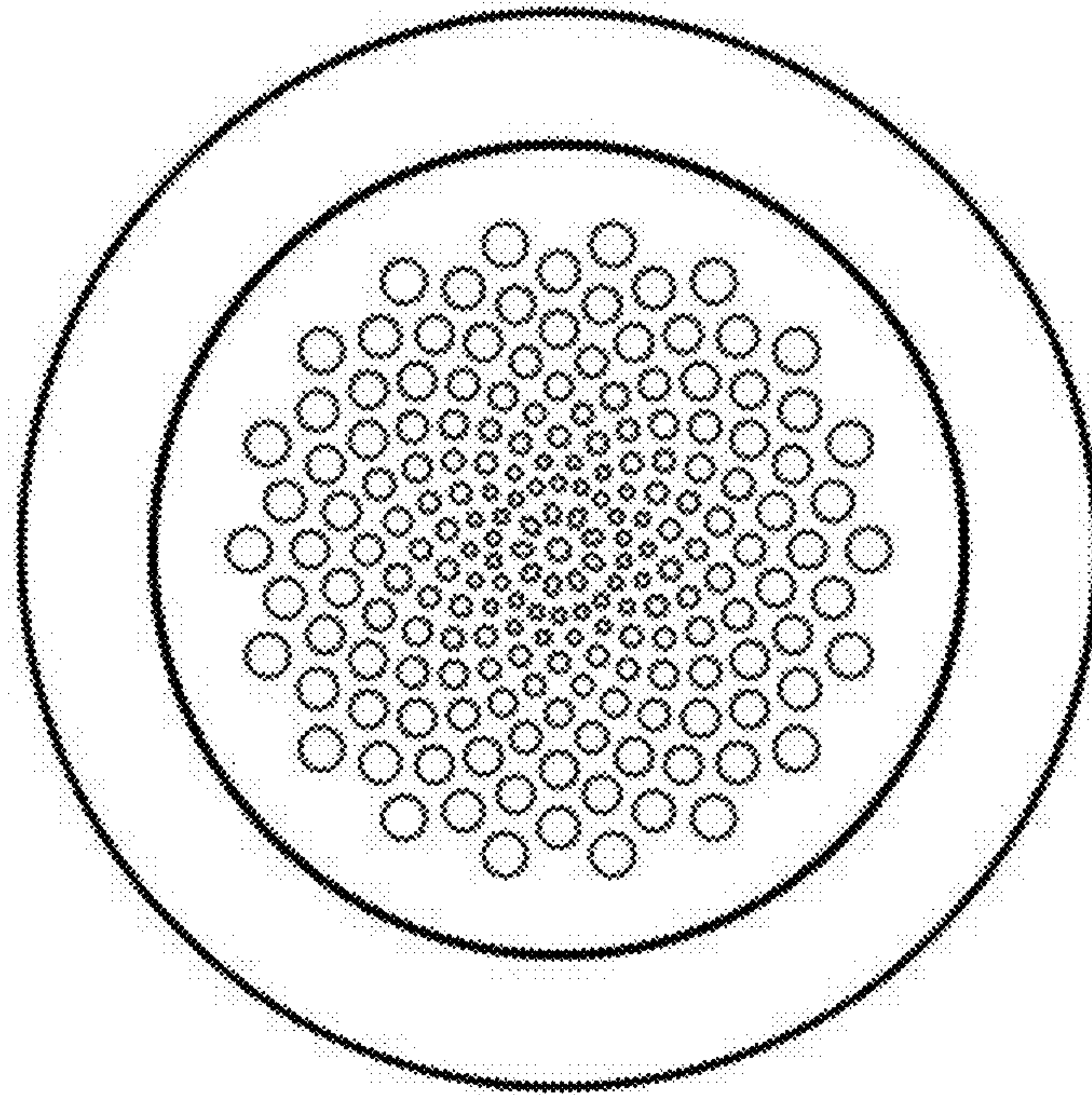


FIG. 1

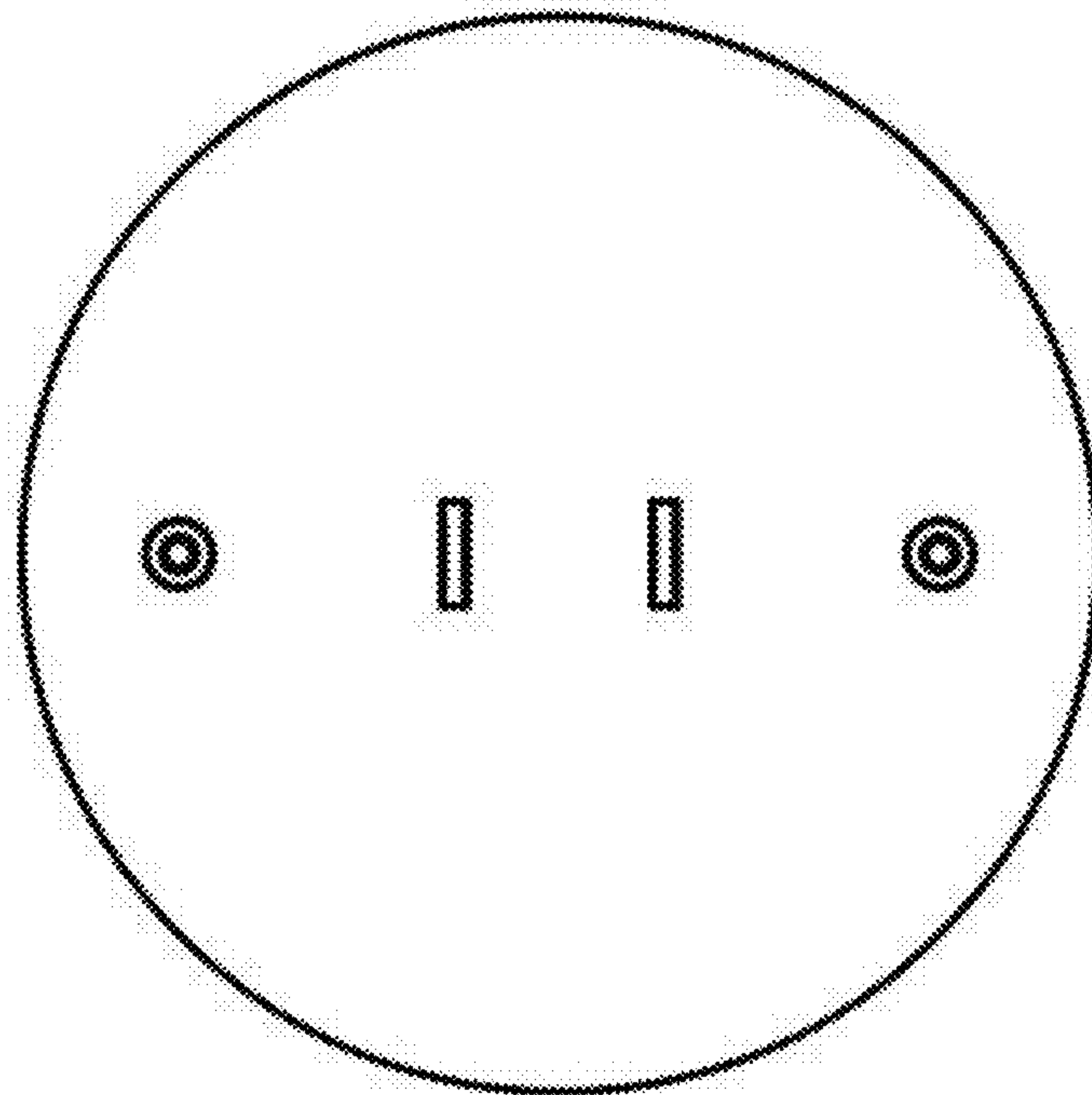


FIG. 2

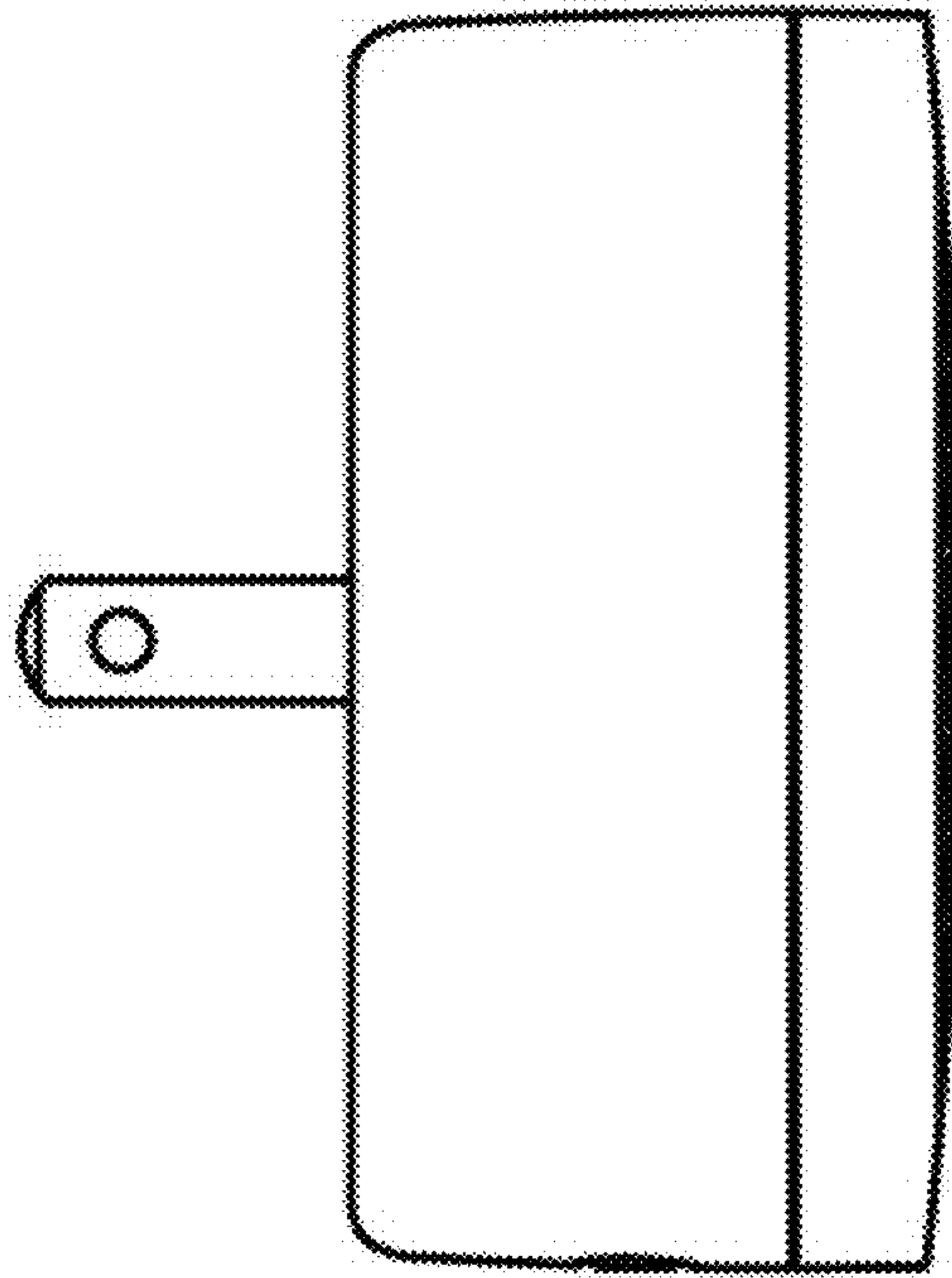


FIG. 3

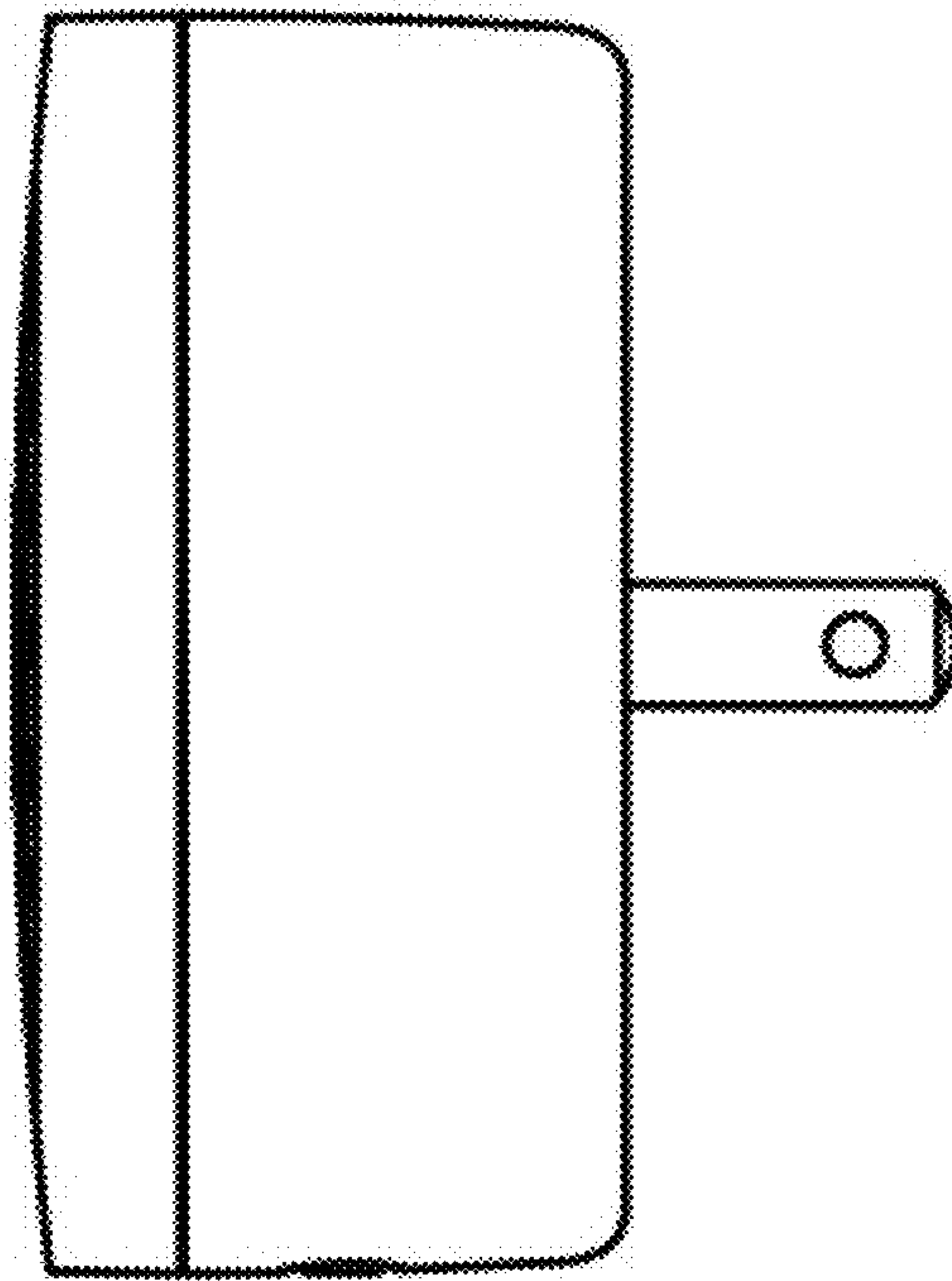


FIG. 4

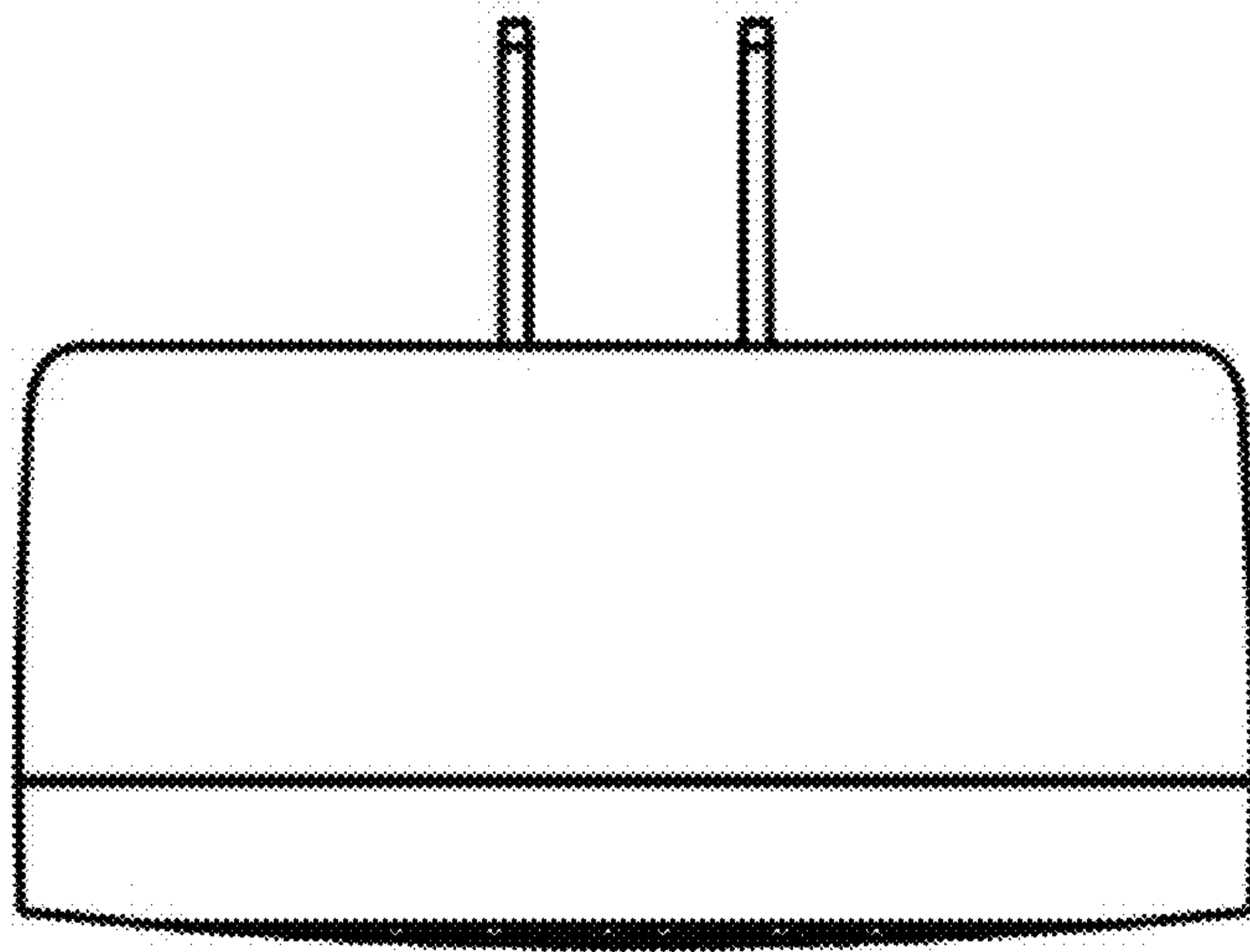


FIG. 5

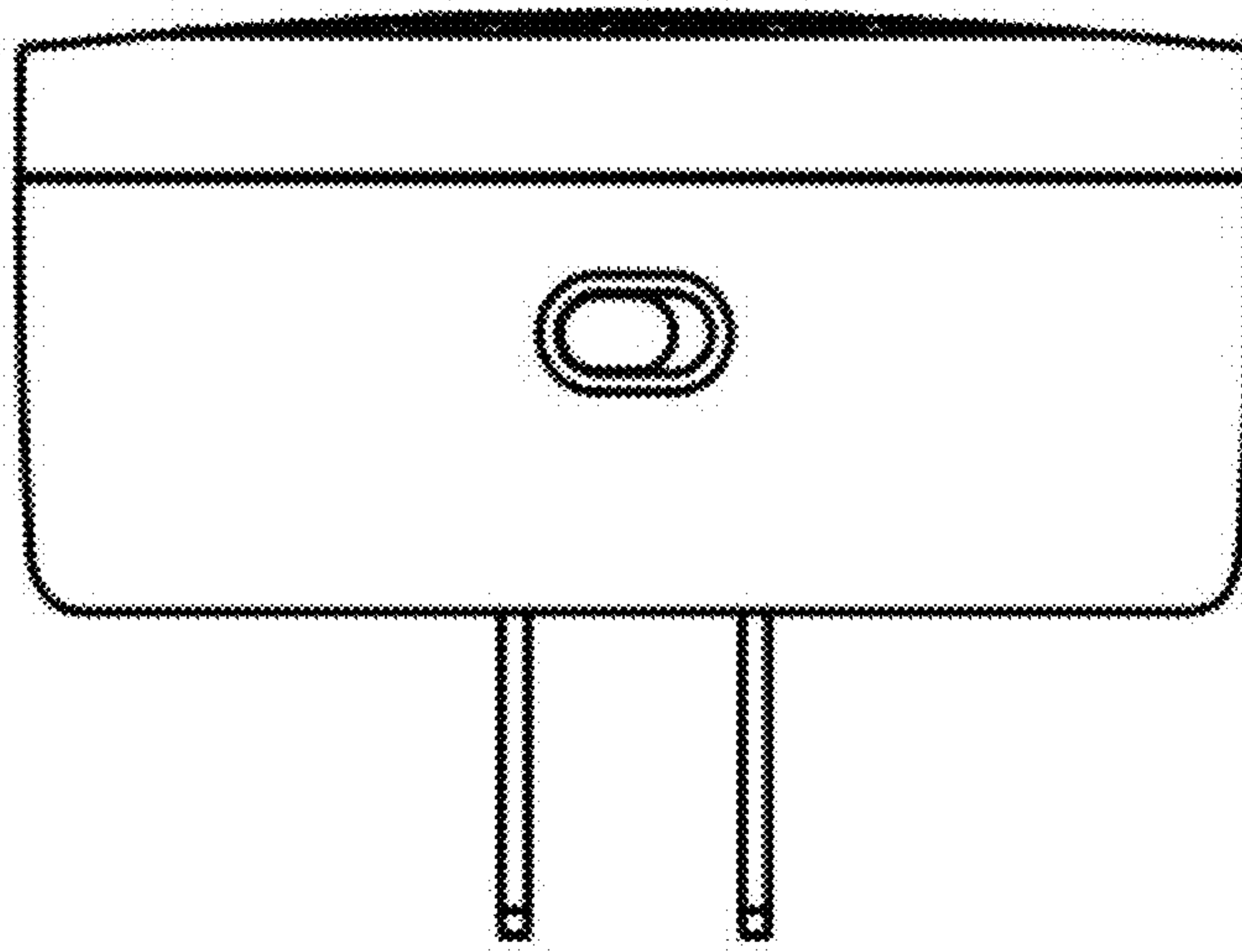


FIG. 6