



US00D962379S

(12) **United States Design Patent** (10) **Patent No.:** **US D962,379 S**  
**McGrade et al.** (45) **Date of Patent:** **\*\* Aug. 30, 2022**

(54) **GLUE PAD FOR A RODENT TRAP**

FOREIGN PATENT DOCUMENTS

(71) Applicants: **Michael McGrade**, West Covina, CA (US); **Gavin McGrade**, West Covina, CA (US)

WO WO2015129976 \* 9/2015 ..... A01M 1/14

(72) Inventors: **Michael McGrade**, West Covina, CA (US); **Gavin McGrade**, West Covina, CA (US)

OTHER PUBLICATIONS

(\*\*) Term: **15 Years**

[https://gemplers.com/products/rodent-and-insect-monitoring-glue-board-traps-pkg-of-10?currency=USD&variant=21169802870873&utm\\_medium=cpc&utm\\_source=google&utm\\_campaign=Google%20Shopping&utm\\_content=https://gemplers.com/products/rodent-and-insect-monitoring-glue-board-traps-pkg-of-10%3Fcurrency%3DUSD%26variant%3D21169802870873%26utm\\_medium%3Dcpc%26utm\\_source%3Dgoogle%26utm\\_campaign%3DGoogle%2520Shopping&utm\\_term=shopify\\_US\\_2042761609305\\_21169802870873&gclid=EAIaIQobChMI3vHQ\\_bTs9wIV8QFMCh314gwAEAQYGyABEgLZ\\_\\_D\\_BwE](https://gemplers.com/products/rodent-and-insect-monitoring-glue-board-traps-pkg-of-10?currency=USD&variant=21169802870873&utm_medium=cpc&utm_source=google&utm_campaign=Google%20Shopping&utm_content=https://gemplers.com/products/rodent-and-insect-monitoring-glue-board-traps-pkg-of-10%3Fcurrency%3DUSD%26variant%3D21169802870873%26utm_medium%3Dcpc%26utm_source%3Dgoogle%26utm_campaign%3DGoogle%2520Shopping&utm_term=shopify_US_2042761609305_21169802870873&gclid=EAIaIQobChMI3vHQ_bTs9wIV8QFMCh314gwAEAQYGyABEgLZ__D_BwE) (Year: 2022).\*

(21) Appl. No.: **29/803,666**

(22) Filed: **Aug. 14, 2021**

**Related U.S. Application Data**

(62) Division of application No. 17/362,035, filed on Jun. 29, 2021.

(Continued)

(51) **LOC (13) Cl.** ..... **22-06**

*Primary Examiner* — Catherine R Oliver-Garcia

(52) **U.S. Cl.**

(74) *Attorney, Agent, or Firm* — Mark S Hubert

USPC ..... **D22/119**

(58) **Field of Classification Search**

(57) **CLAIM**

USPC ..... D22/119; D3/273; D9/414, 416, 425, D9/432

The ornamental design for a glue pad for a rodent trap, as shown and described.

CPC .... A01M 23/005; A01M 23/04; A01M 23/08; A01M 23/18; A01M 23/20

**DESCRIPTION**

See application file for complete search history.

(56) **References Cited**

FIG. 1 is a top view of an unassembled glue pad for a rodent trap showing my new design;

**U.S. PATENT DOCUMENTS**

- 5,398,442 A \* 3/1995 Musket ..... A01M 1/14  
229/120.09
- 5,477,636 A \* 12/1995 Musket ..... A01M 1/14  
43/114
- D582,504 S \* 12/2008 Wiesener ..... D22/119
- 7,743,551 B2 \* 6/2010 Siebert ..... A01M 1/14  
43/58
- D687,510 S \* 8/2013 Medina, III ..... D22/119
- D916,226 S \* 4/2021 Felix ..... D22/119
- 11,006,621 B1 \* 5/2021 Gehret ..... A01M 23/22
- D928,609 S \* 8/2021 Perella ..... A01M 23/005  
D9/432

FIG. 2 is a bottom view of the unassembled glue pad for a rodent trap;

FIG. 3 is a top view of the assembled glue pad on a rodent trap;

FIG. 4 is a bottom view of the assembled glue pad on a rodent trap;

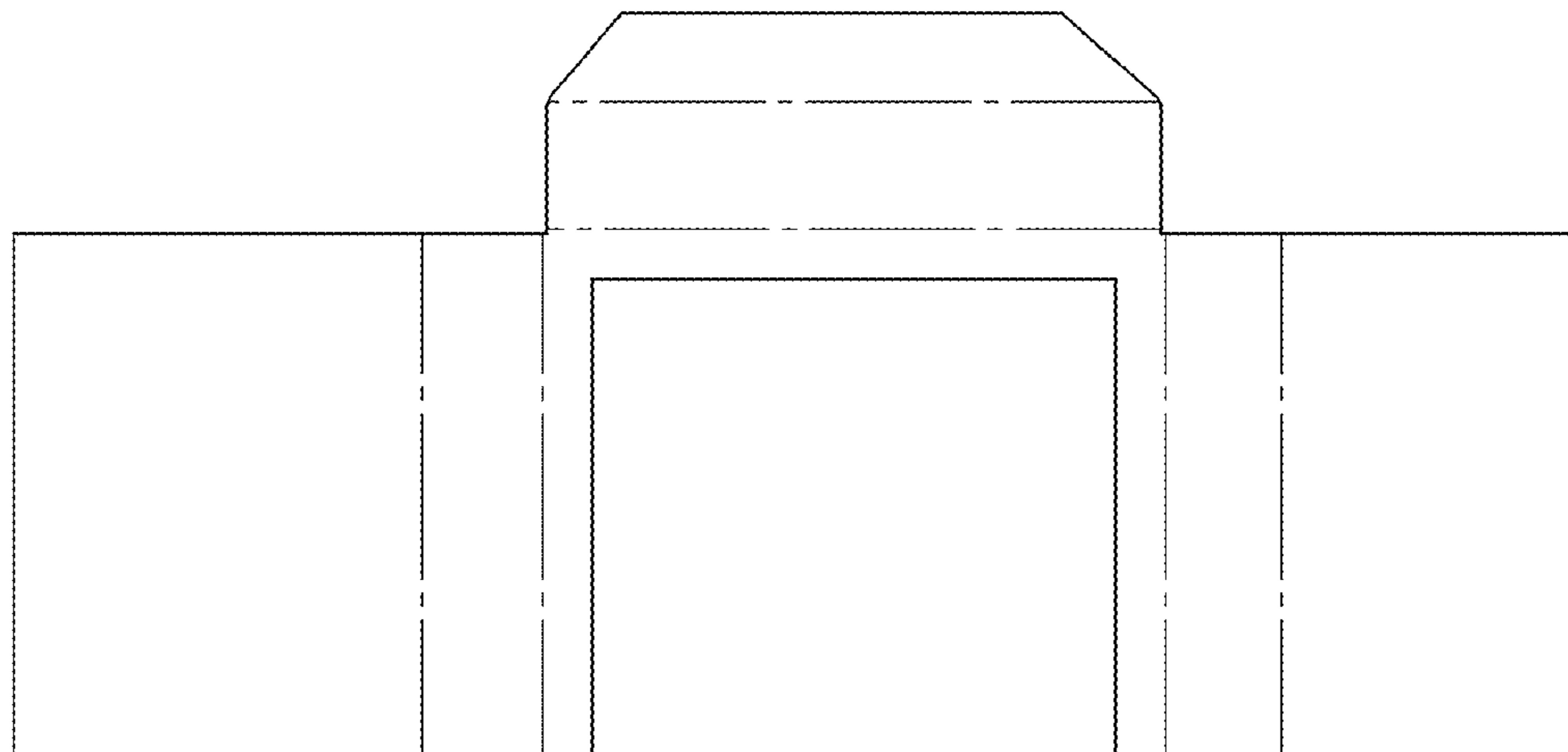
FIG. 5 is a left-side view of the assembled glue pad on a rodent trap; and,

FIG. 6 is a right-side view of the assembled glue pad on a rodent trap.

The front and rear views of the glue pad for a rodent trap are omitted as they are flat and unornamented.

(Continued)

(Continued)



The rodent trap the glue pad is assembled on is an environmental structure and is shown in broken lines for illustrative purposes only, and forms no part of the claimed design.

**1 Claim, 5 Drawing Sheets**

(56) **References Cited**

U.S. PATENT DOCUMENTS

2005/0160660 A1\* 7/2005 Frisch ..... A01M 23/005  
43/114  
2021/0360911 A1\* 11/2021 Para ..... A01M 23/18

OTHER PUBLICATIONS

[https://www.domyown.com/trapper-max-glue-board-for-mice-p-1288.html?gclid=EAIaIQobChMlutjxvN729wIVUv\\_jBx2IOA9eEAQYASABEgJF9PD\\_BwE&sub\\_id=448](https://www.domyown.com/trapper-max-glue-board-for-mice-p-1288.html?gclid=EAIaIQobChMlutjxvN729wIVUv_jBx2IOA9eEAQYASABEgJF9PD_BwE&sub_id=448) (Year: 2008).\*  
<https://www.lowes.com/pd/TOMCAT-Super-Hold-Glue-Traps-Mouse-Size-4-Count-Mouse-Killer/100045464> (Year: 2015).\*

\* cited by examiner

FIG. 1

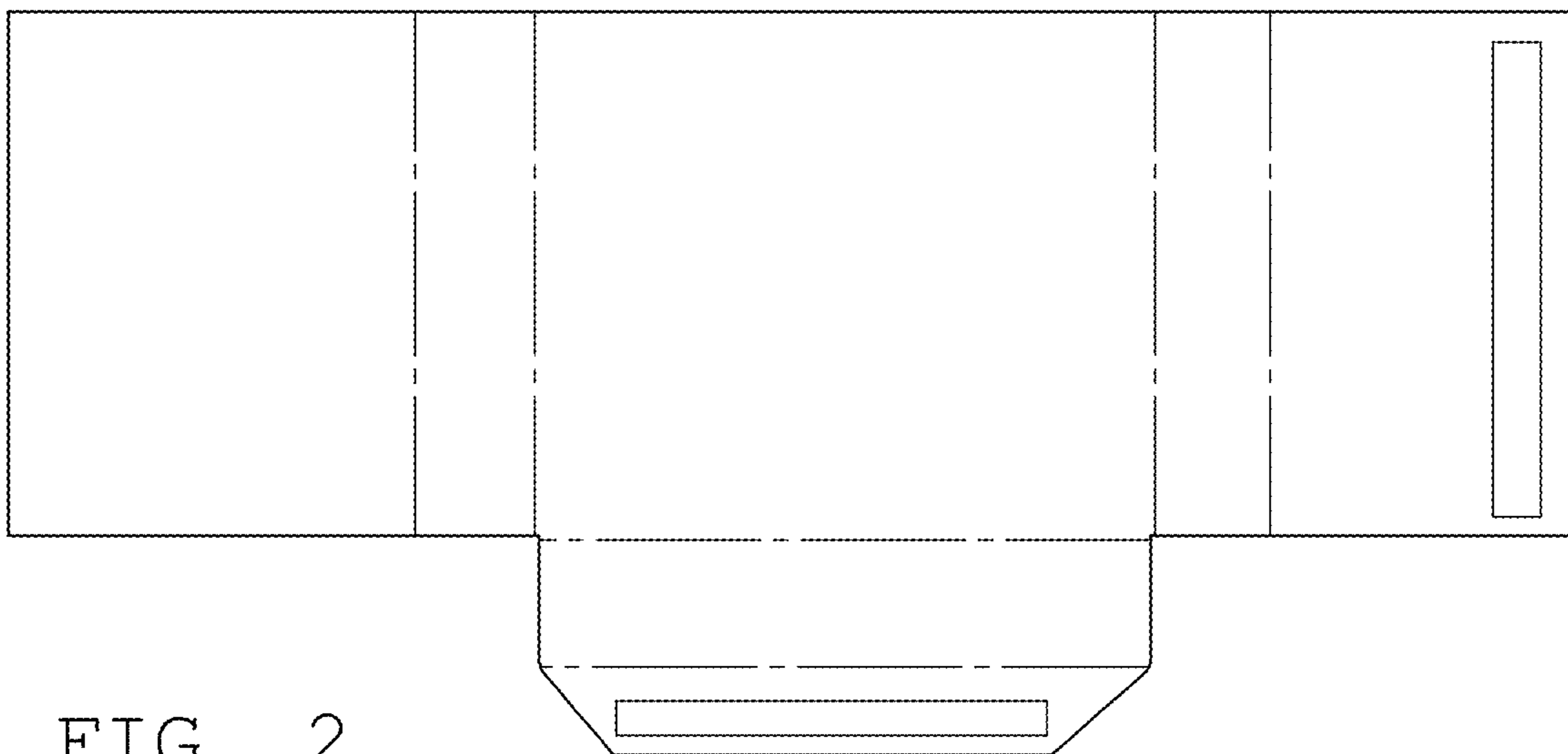
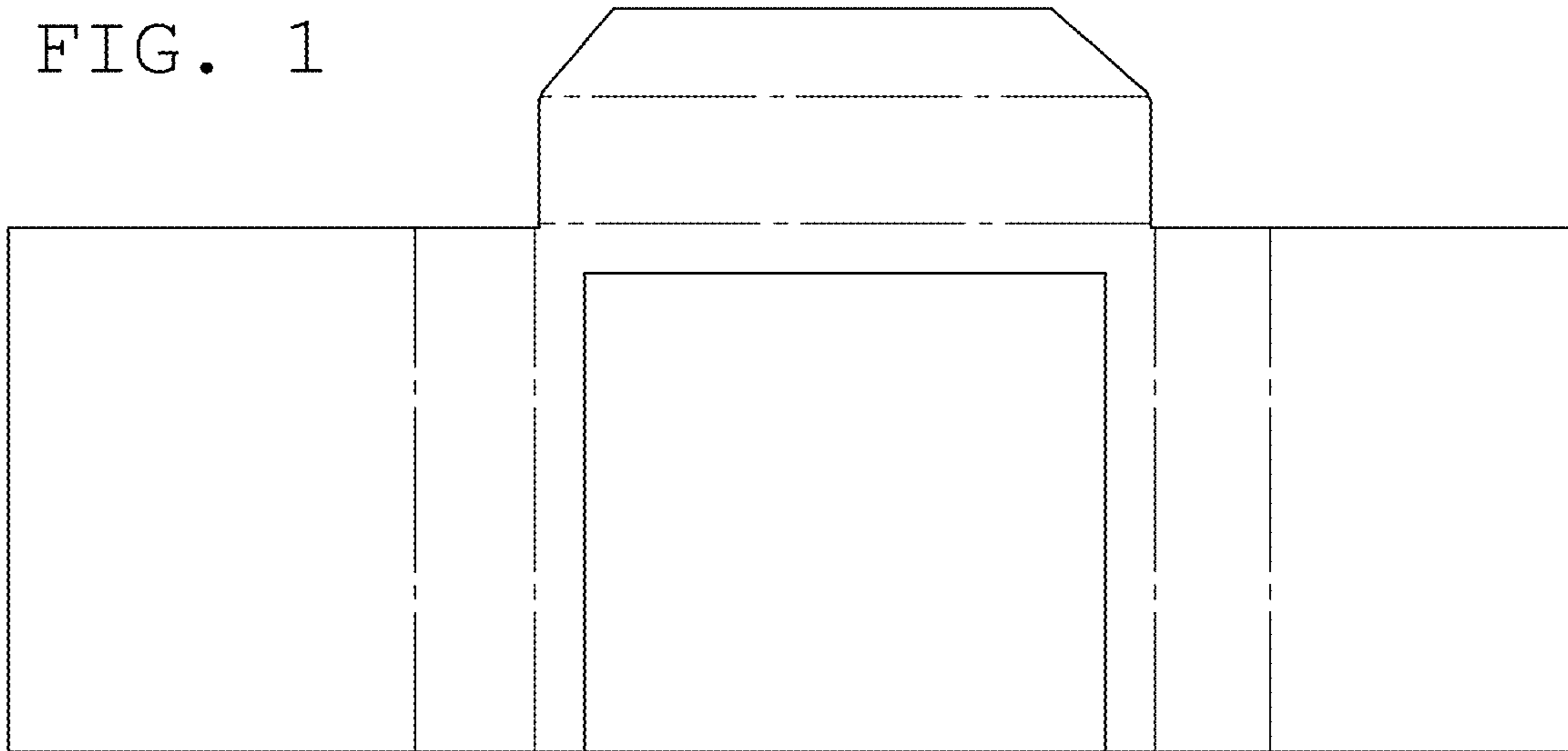
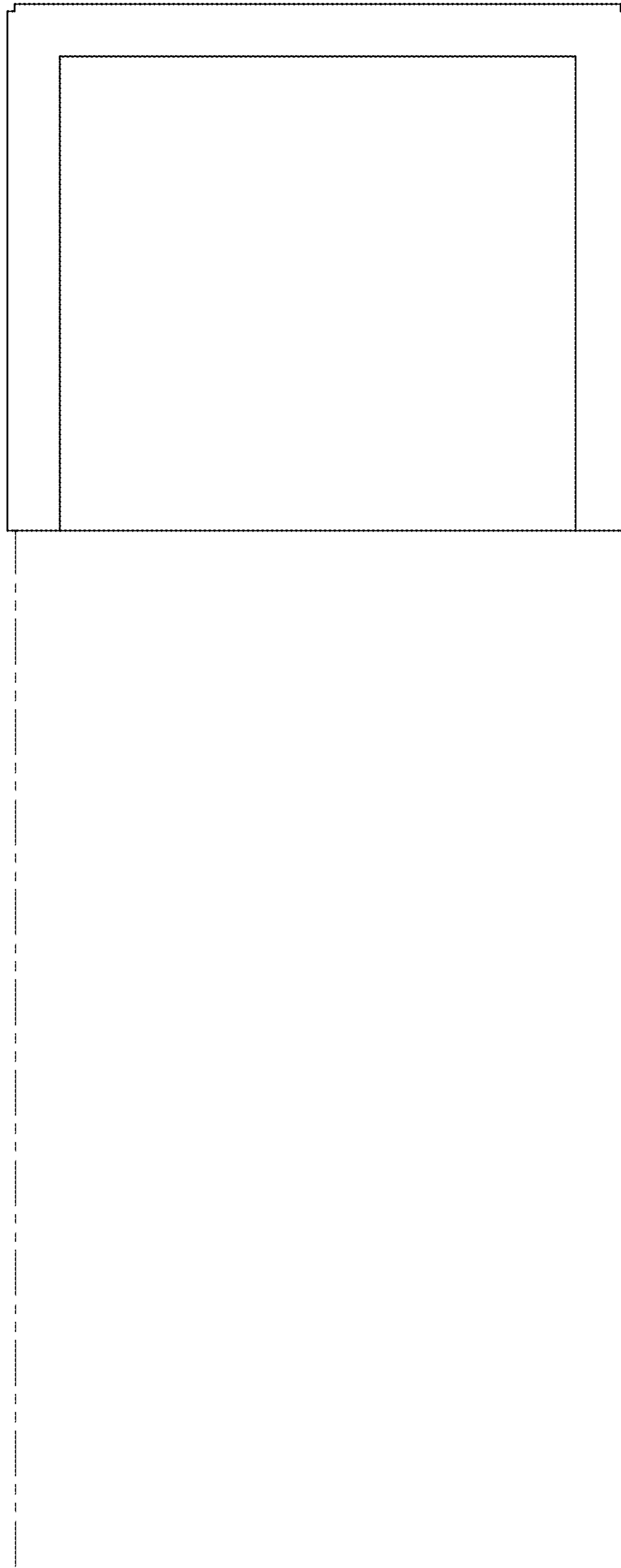


FIG. 2

FIG. 3



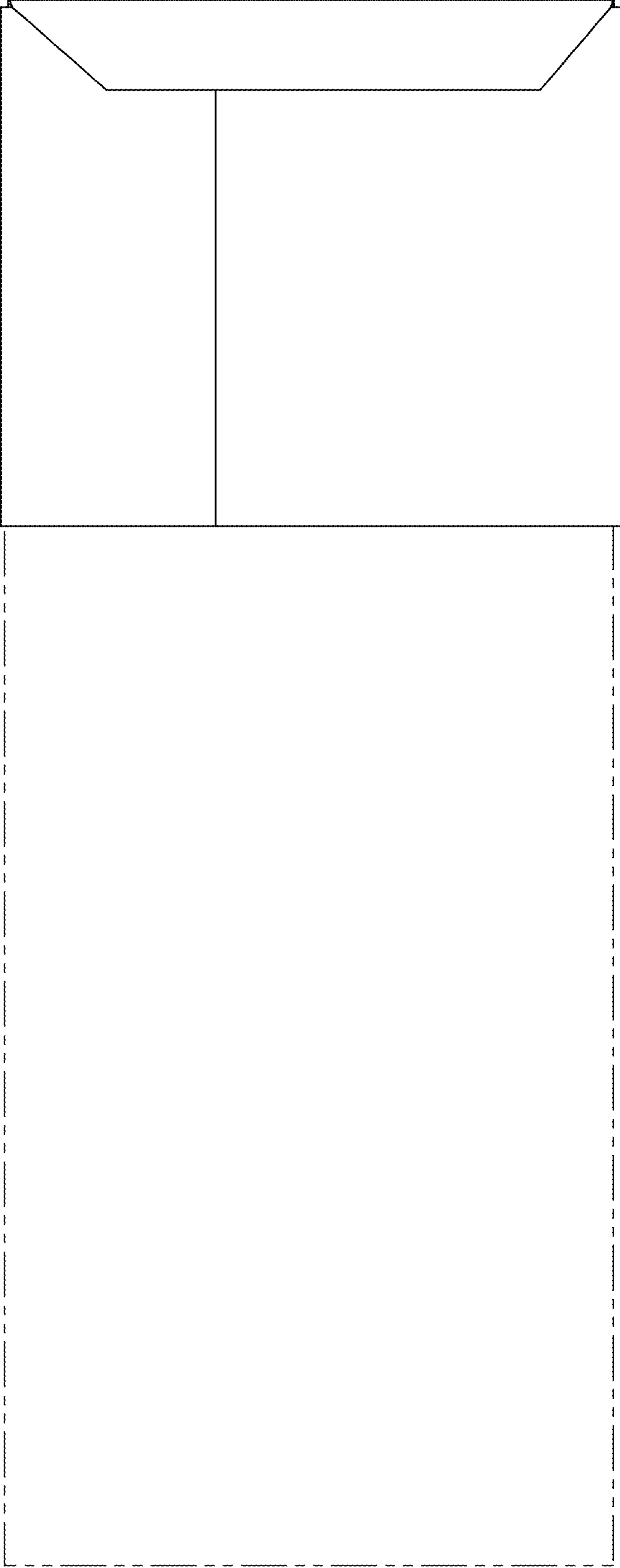


FIG. 4

FIG. 5



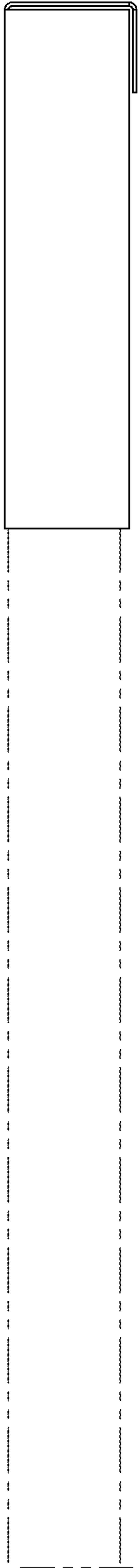


FIG. 6