



US00D962377S

(12) **United States Design Patent**
Summers et al.

(10) **Patent No.:** **US D962,377 S**

(45) **Date of Patent:** **** Aug. 30, 2022**

(54) **ARROW SUPPORT FOR ARCHERY ARROW REST DEVICES**

(71) Applicant: **QTM, LLC**, Madison Heights, VA (US)

(72) Inventors: **Daniel A. Summers**, Alpine, WY (US);
Kevin S. Fry, Madison Heights, VA (US); **Jonathan M. Loomis**, Lynchburg, VA (US)

(73) Assignee: **QTM, LLC**, Madison Heights, VA (US)

(**) Term: **15 Years**

(21) Appl. No.: **29/670,015**

(22) Filed: **Nov. 13, 2018**

(51) **LOC (13) Cl.** **22-01**

(52) **U.S. Cl.**
USPC **D22/107**

(58) **Field of Classification Search**
USPC D22/100, 107, 199; D21/571
(Continued)

(56) **References Cited**

U.S. PATENT DOCUMENTS

5,070,855 A * 12/1991 Troncoso F41B 5/143
124/44.5
5,289,814 A 3/1994 Maisano
(Continued)

OTHER PUBLICATIONS

“QAD Quality Archery Designs Realtree Original Camo RH Ultra-Rest Hunter #UHURO-R” [online], QAD. [Product first available on May 20, 2019]. Retrieved from the Internet: <<https://www.amazon.com/dp/B07RXMG8GG/>>.*

(Continued)

Primary Examiner — Mojtaba Tehrani

(74) *Attorney, Agent, or Firm* — Barclay Damon LLP

(57) **CLAIM**

The ornamental design for an arrow support for archery arrow rest devices, as shown and described.

DESCRIPTION

A portion of the disclosure of this patent document contains or may contain material which is subject to copyright protection. The copyright owner has no objection to the photocopy reproduction by anyone of the patent document in exactly the form it appears in the Patent and Trademark Office patent file or records, but otherwise reserves all copyrights whatsoever.

FIG. 1 is a front elevation view of an embodiment of the arrow support for archery arrow rest devices.

FIG. 2 is a rear elevation view of the embodiment of the arrow support for archery arrow rest devices.

FIG. 3 is a left side elevation view of the embodiment of the arrow support for archery arrow rest devices.

FIG. 4 is a right side elevation view of the embodiment of the arrow support for archery arrow rest devices.

FIG. 5 is a top view of the embodiment of the arrow support for archery arrow rest devices.

FIG. 6 is a bottom view of the embodiment of the arrow support for archery arrow rest devices.

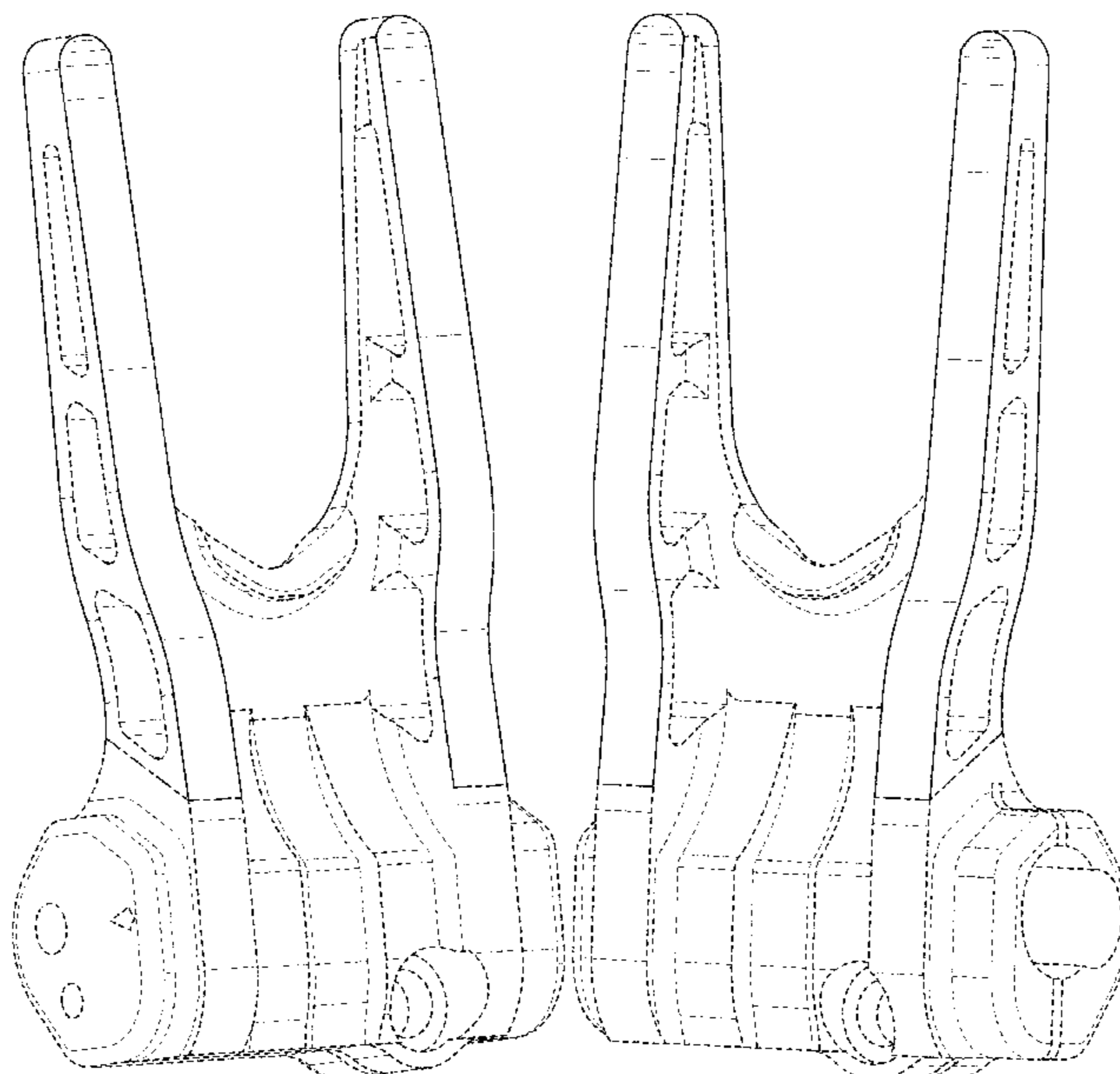
FIG. 7 is a front left isometric view of the embodiment of the arrow support for archery arrow rest devices.

FIG. 8 is a front right isometric view of the embodiment of the arrow support for archery arrow rest devices; and,

FIG. 9 is a top isometric view of the embodiment of the arrow support for archery arrow rest devices.

The evenly broken line in the drawings depicts unclaimed portion of the arrow rest only and forms no part of the claimed design; the dash-dot broken line in the drawings define the bounds of the claimed design only and forms no part of the claimed design.

1 Claim, 8 Drawing Sheets



(58) **Field of Classification Search**
 CPC .. F41B 5/066; F41B 5/22; F41B 5/143; A63F
 2009/0269
 See application file for complete search history.

(56) **References Cited**

U.S. PATENT DOCUMENTS

5,341,791 A 8/1994 Shafer
 5,372,119 A 12/1994 Kidney
 5,379,746 A 1/1995 Sappington
 5,394,858 A 3/1995 Karolian
 5,476,086 A * 12/1995 Smith F41B 5/143
 124/24.1
 5,507,272 A 4/1996 Scantlen
 5,529,049 A 6/1996 Antalosky
 5,535,728 A * 7/1996 Prodigio F41B 5/143
 124/44.5
 D377,383 S * 1/1997 Morocco D10/119.2
 5,711,803 A 1/1998 Pehnt et al.
 5,853,001 A 12/1998 Vyprachticky
 6,021,769 A 2/2000 Troncoso
 6,044,832 A 4/2000 Piersons, Jr.
 6,050,251 A 4/2000 Harwath et al.
 6,178,959 B1 * 1/2001 Troncoso, Jr. F41B 5/143
 124/44.5
 6,202,635 B1 * 3/2001 Evans F41B 5/143
 124/44.5
 6,505,619 B2 1/2003 Hulm
 6,520,170 B1 2/2003 Adkins
 6,557,541 B2 5/2003 Pinto, Jr.
 6,561,174 B1 * 5/2003 Afshari F41B 5/143
 124/44.5
 6,595,195 B1 7/2003 Barner et al.
 6,615,813 B1 9/2003 Troncoso, Jr. et al.
 6,634,349 B2 10/2003 Mizek et al.
 6,688,297 B1 2/2004 Clague
 6,739,321 B1 5/2004 Puchlerz
 6,772,747 B1 8/2004 Vastag
 6,789,536 B1 * 9/2004 Summers F41B 5/143
 124/44.5
 6,895,676 B1 5/2005 Mendyk
 7,219,662 B1 5/2007 Henry
 7,331,338 B2 2/2008 Mizek
 7,409,950 B2 8/2008 Ellig et al.
 7,464,908 B2 12/2008 Files
 7,681,566 B2 3/2010 Mertens
 7,775,201 B2 8/2010 Cooper
 D627,033 S * 11/2010 Hicks D22/199
 7,963,279 B2 * 6/2011 Harwath F41B 5/143
 124/44.5
 8,065,994 B2 11/2011 Holmberg
 D656,214 S * 3/2012 Howland D22/108
 8,328,147 B2 12/2012 Gardner et al.
 8,342,161 B2 1/2013 Harwath et al.
 D679,358 S * 4/2013 Canterbury D22/107
 8,434,464 B1 5/2013 Terzo
 8,474,443 B2 7/2013 Geno
 8,505,527 B2 8/2013 Kempf
 8,544,457 B1 * 10/2013 Munsell F41B 5/143
 124/44.5
 8,701,643 B2 4/2014 Ellig
 8,839,772 B2 9/2014 Lee
 8,939,137 B2 1/2015 Hunt
 8,967,131 B2 3/2015 Hunt
 9,151,567 B1 10/2015 Estridge
 9,285,181 B2 * 3/2016 Green F41G 1/467
 9,341,433 B1 * 5/2016 Summers F41B 5/143
 9,500,434 B1 * 11/2016 LoRocco F41B 5/143
 9,581,406 B1 2/2017 Nevels et al.
 9,726,453 B1 8/2017 Hamm et al.
 9,816,776 B2 11/2017 Ellig et al.
 9,933,229 B2 4/2018 Coalson et al.

D819,159 S * 5/2018 Leis D22/107
 10,605,560 B1 * 3/2020 Schaffer F41B 5/143
 10,823,525 B1 * 11/2020 Stevens F41B 5/143
 2002/0096161 A1 7/2002 Hulm
 2003/0024516 A1 2/2003 Mizek et al.
 2003/0029429 A1 2/2003 Adkins
 2003/0062034 A1 * 4/2003 Proctor F41B 5/143
 124/44.5
 2003/0136393 A1 7/2003 Barner et al.
 2004/0139952 A1 * 7/2004 Simo F41B 5/143
 124/44.5
 2004/0139953 A1 * 7/2004 Harwath F41B 5/143
 124/44.5
 2004/0139954 A1 * 7/2004 Mizek F41B 5/143
 124/44.5
 2005/0076895 A1 * 4/2005 Walk F41B 5/143
 124/44.5
 2006/0157038 A1 7/2006 Ellig et al.
 2006/0162709 A1 7/2006 Roberts et al.
 2007/0119439 A1 5/2007 Mizek
 2007/0163560 A1 7/2007 Mertens
 2008/0105244 A1 * 5/2008 Rager F41B 5/143
 124/44.5
 2008/0173290 A1 * 7/2008 Harwath F41B 5/143
 124/44.5
 2008/0236556 A1 * 10/2008 Sims F41B 5/143
 124/24.1
 2010/0263651 A1 * 10/2010 Evans F41B 5/143
 124/44.5
 2011/0139138 A1 * 6/2011 Geno F41B 5/143
 124/44.5
 2011/0168148 A1 * 7/2011 Mizek F41B 5/143
 124/44.5
 2012/0138035 A1 6/2012 Ellig
 2013/0081604 A1 4/2013 Lee
 2013/0081605 A1 4/2013 Lee, Jr.
 2013/0233292 A1 9/2013 Gardner
 2013/0255654 A1 * 10/2013 Nystrom F41B 5/143
 124/44.5
 2013/0269668 A1 10/2013 Hunt
 2014/0014082 A1 1/2014 Hunt
 2015/0184972 A1 7/2015 Grace et al.
 2015/0204632 A1 * 7/2015 Green F41B 5/14
 124/23.1
 2017/0003096 A1 1/2017 Ellig et al.
 2017/0191788 A1 * 7/2017 Eacker F41B 5/143
 2018/0058798 A1 * 3/2018 Coalson F41B 5/143

OTHER PUBLICATIONS

Hoyt Integra Direct Sight Manual Excerpt; "Hoyt Integra Direct Sight Mounting;" Dated On or Before Aug. 24, 2015; p. 11, 1 page.
 "Hoyt Intensity Bow and Integra Sight Mount;" Dated On or Before Aug. 24, 2015; retrieved from the Internet: <https://www.popscreen.com/prod/MTI2MTM4ODY5/Hoyt-USA-Intensity-Compound-Bow-with-Integra-Sight-eBay>; 1 page.
 Hoyt Bow User Manual; Dated On or Before Aug. 24, 2015; 23 pages.
 Trophy Ridge; "Vertical Drop Away Arrow Rest Manual;" Dated On or Before Apr. 11, 2015; 2 pages.
 Hunter's Friend; "Bow Sight Selection Guide—Archery Help—Hunter's Friend;" Feb. 12, 2007; retrieved from the Internet, <https://www.huntersfriend.com/archery-help/bow-sight-selection-guide.html>; 3 pages.
 Barnett Outdoors, LLC; "Barnett Outdoors Lil Banshee Jr. Compound Youth Archery Set", Dated on or Before Aug. 12, 2013; 11 pages.
 "Ripcord X-Factor"; Ripcord Arrow Rest; Sep. 23, 2015; retrieved from the Internet: <http://ripcordarrowrest.com/ripcord-xfactor>; 4 pages.

* cited by examiner

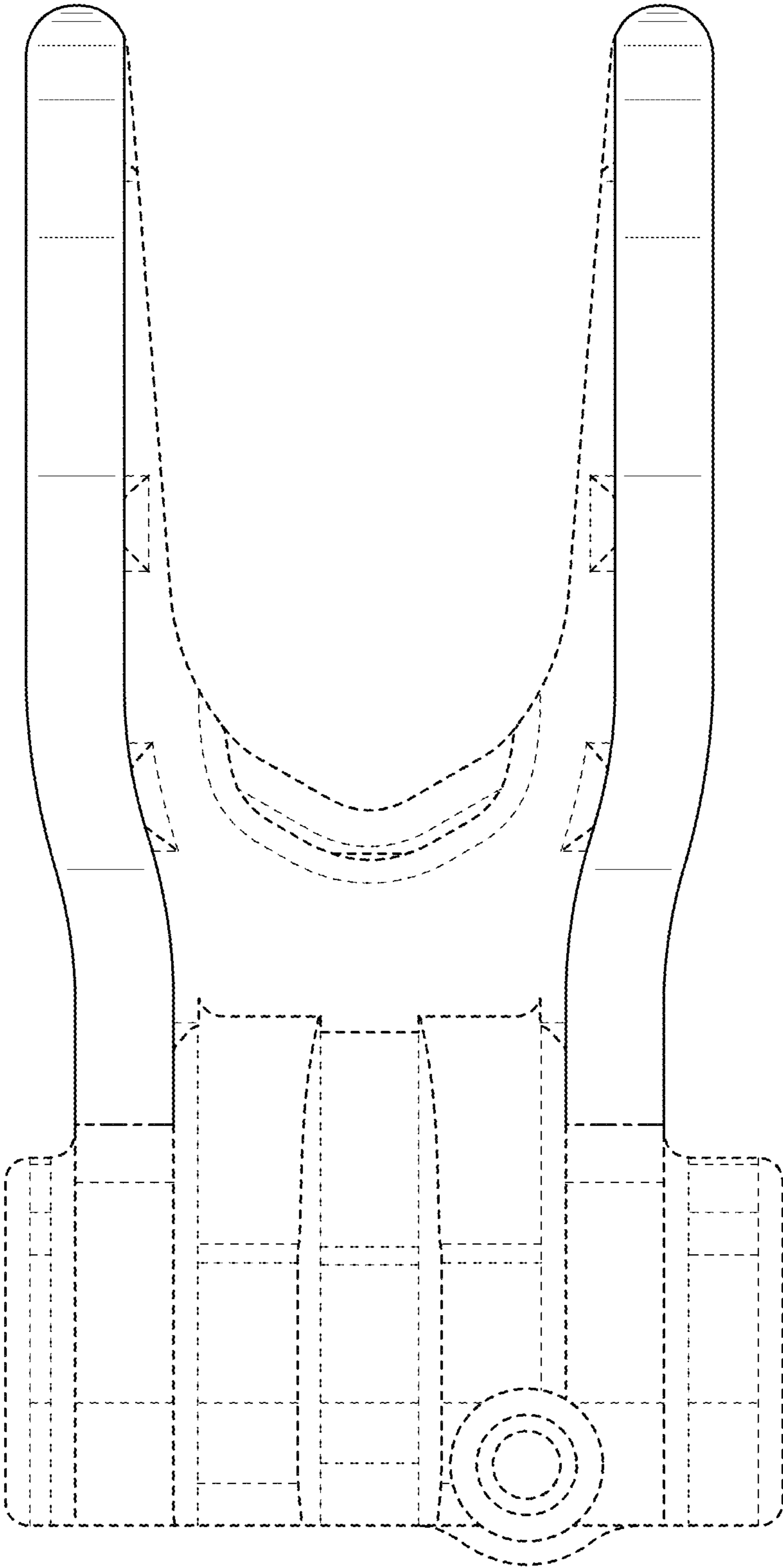


FIG. 1

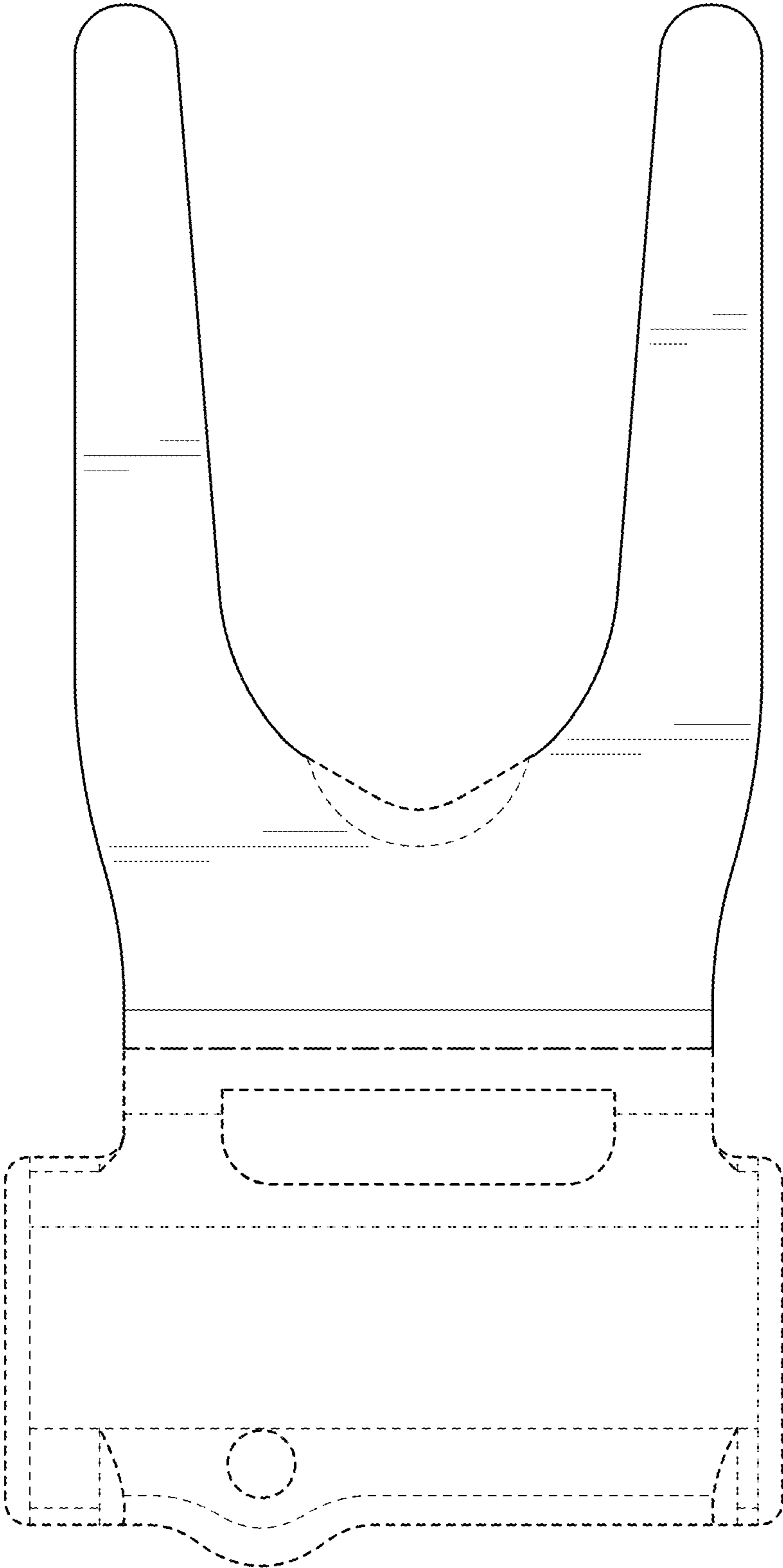


FIG. 2

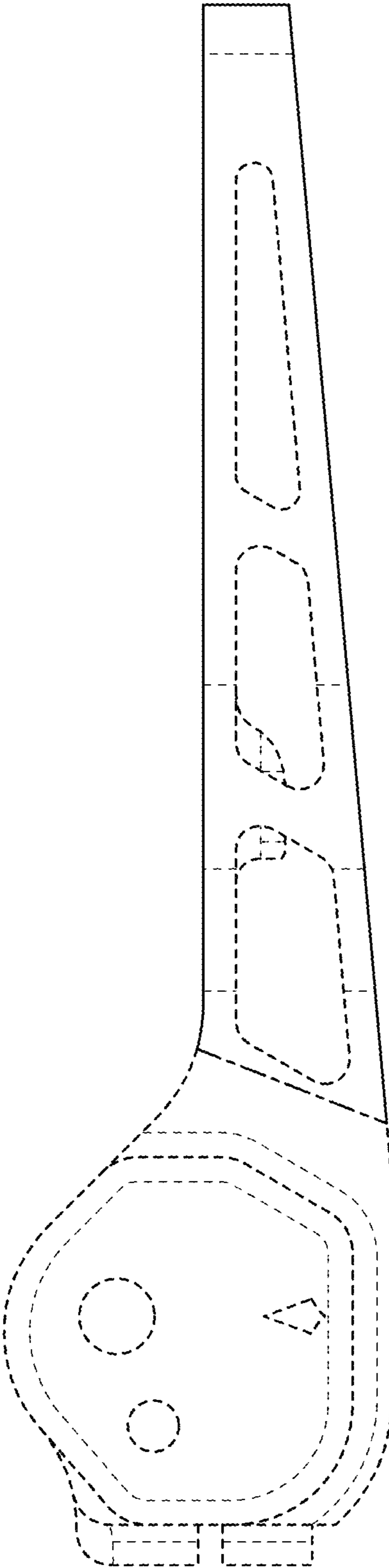


FIG. 3

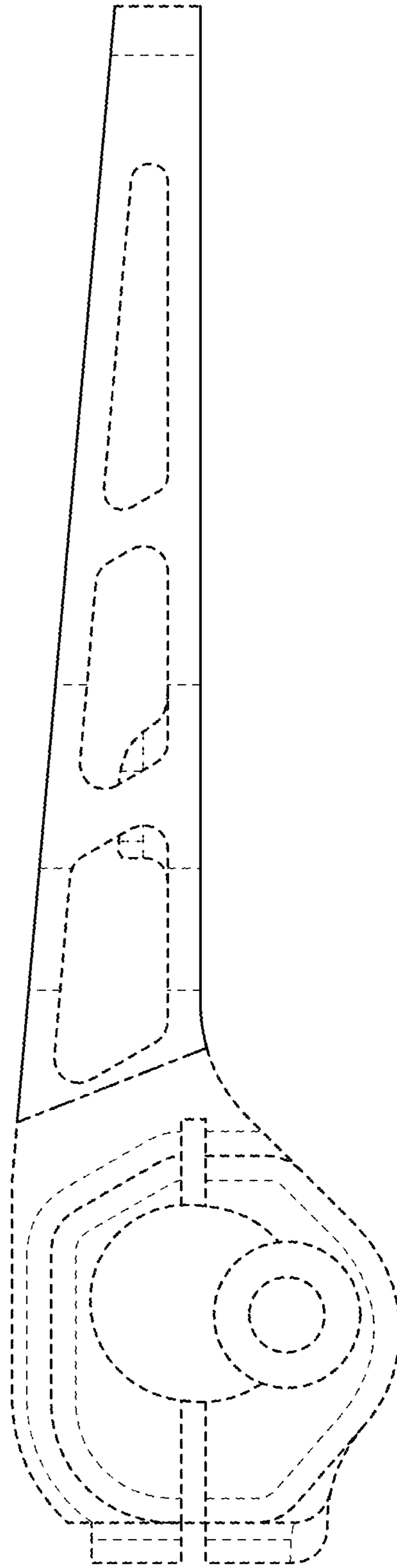


FIG. 4

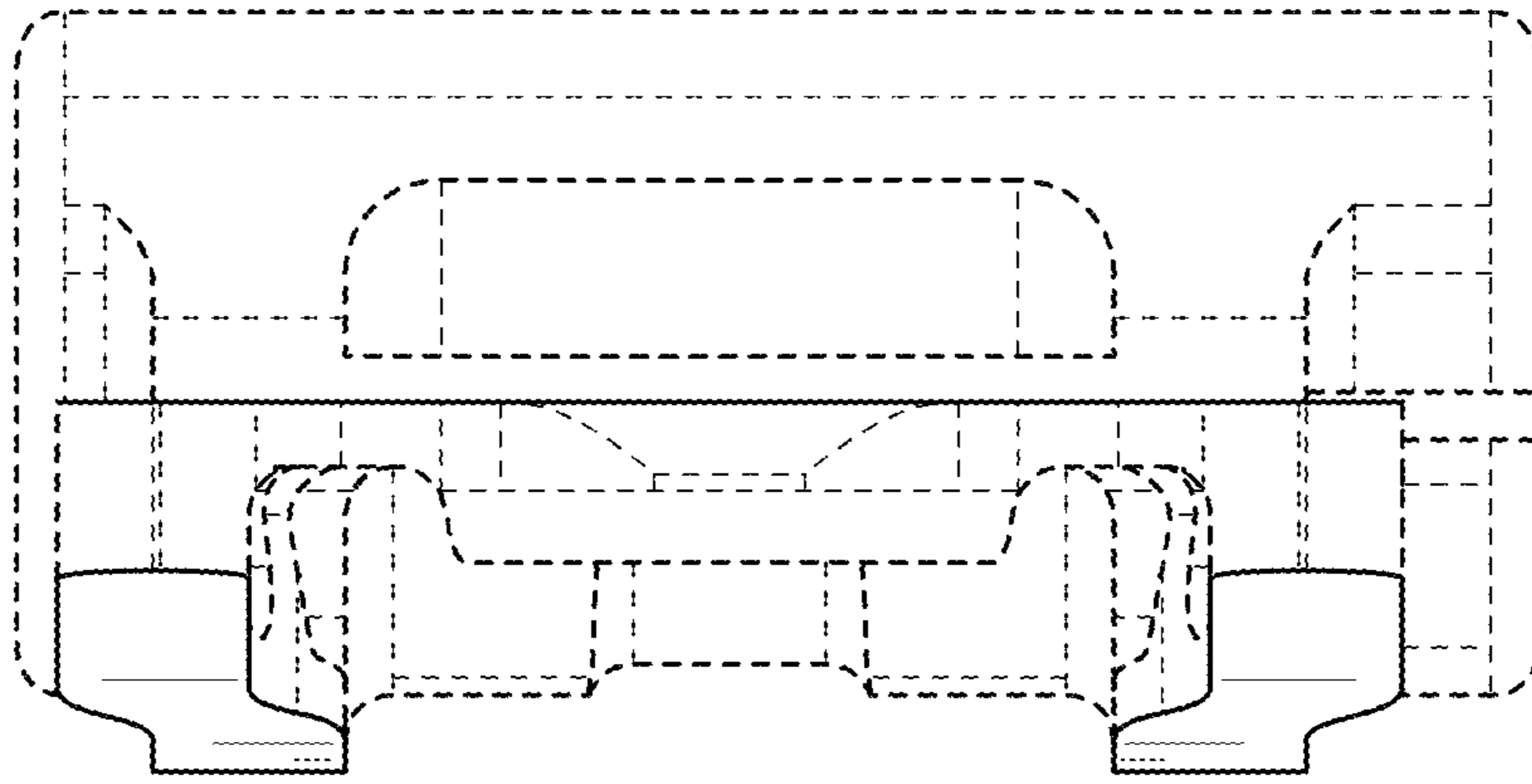


FIG. 5

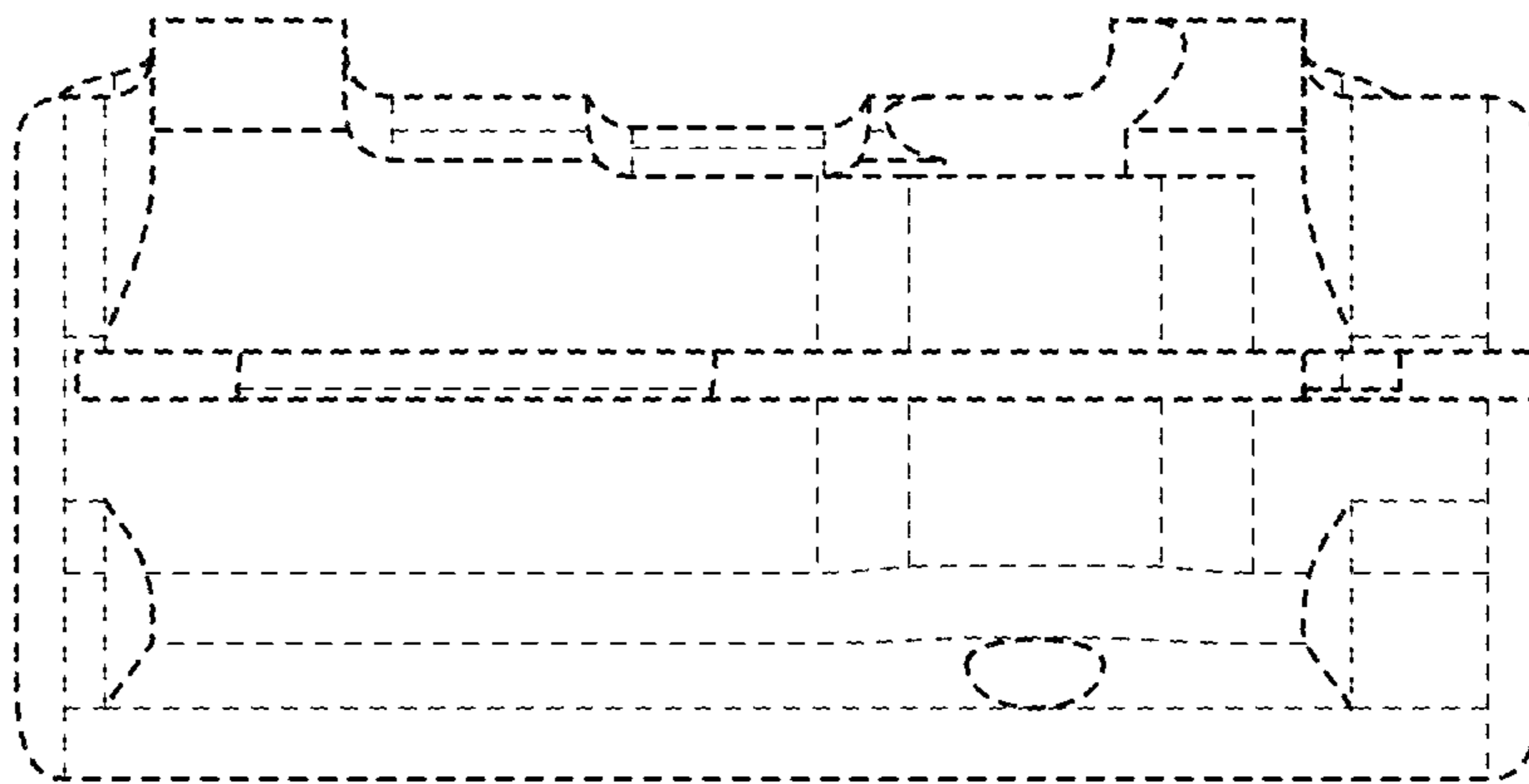


FIG. 6

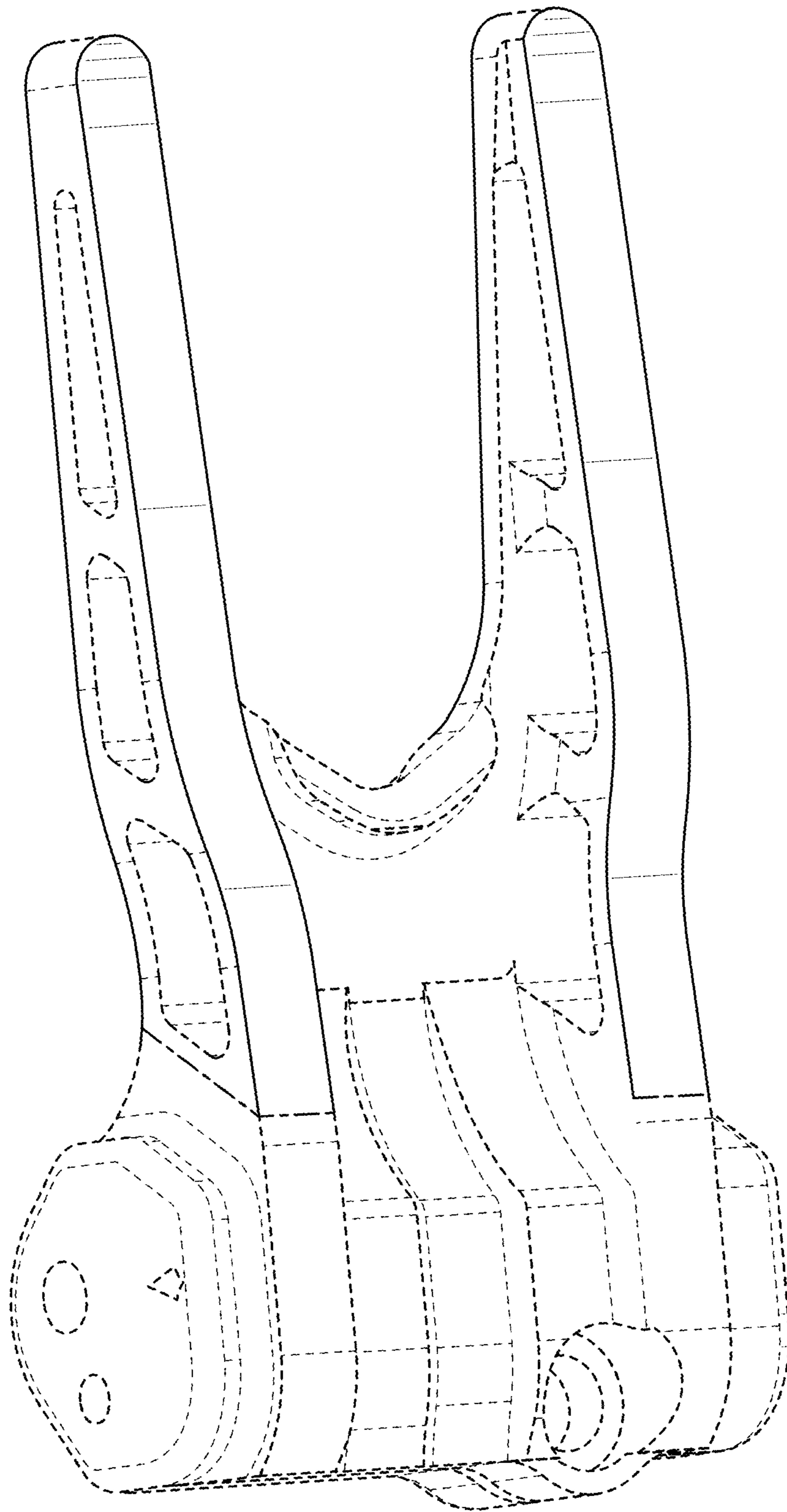


FIG. 7

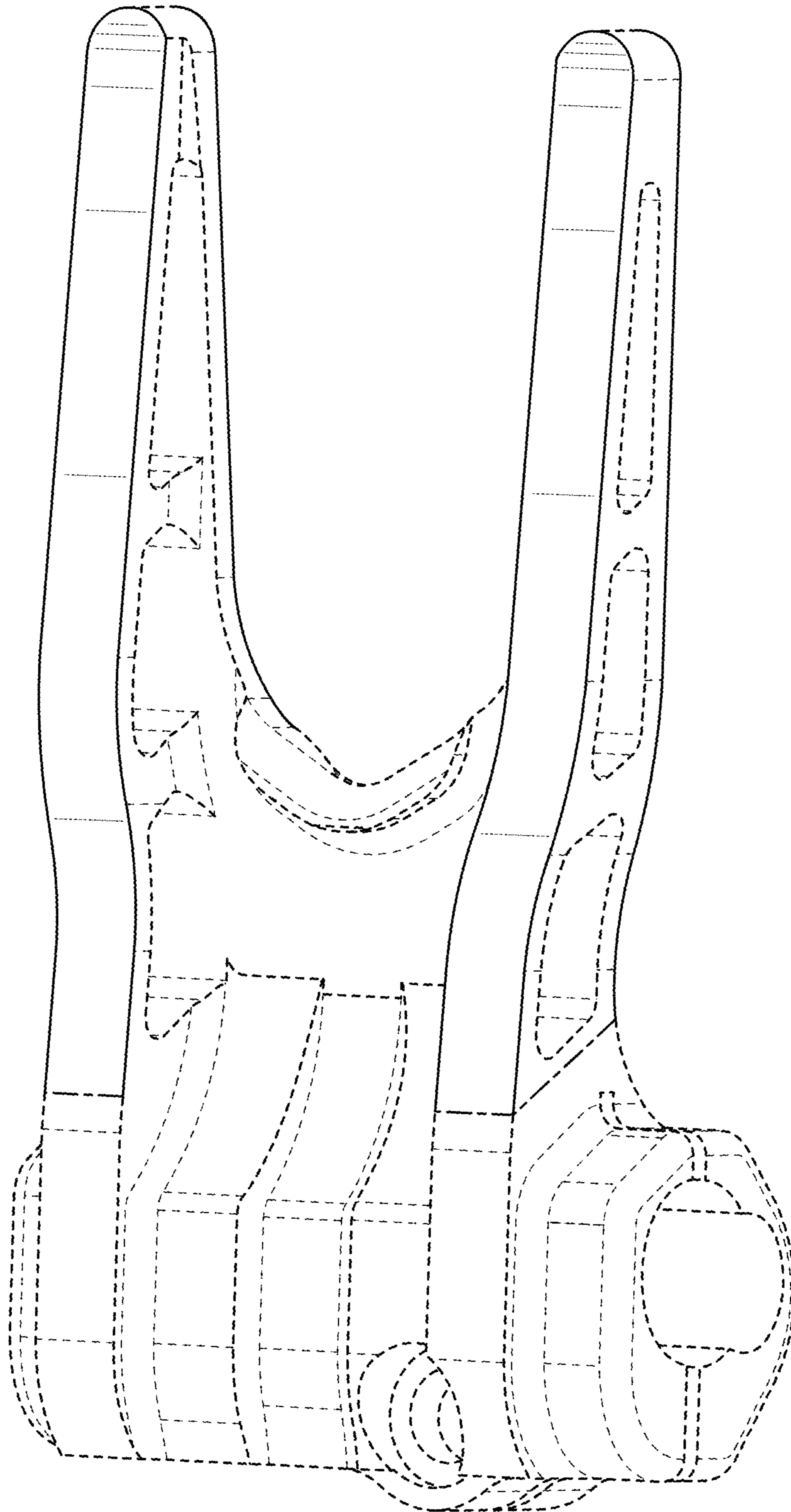


FIG. 8

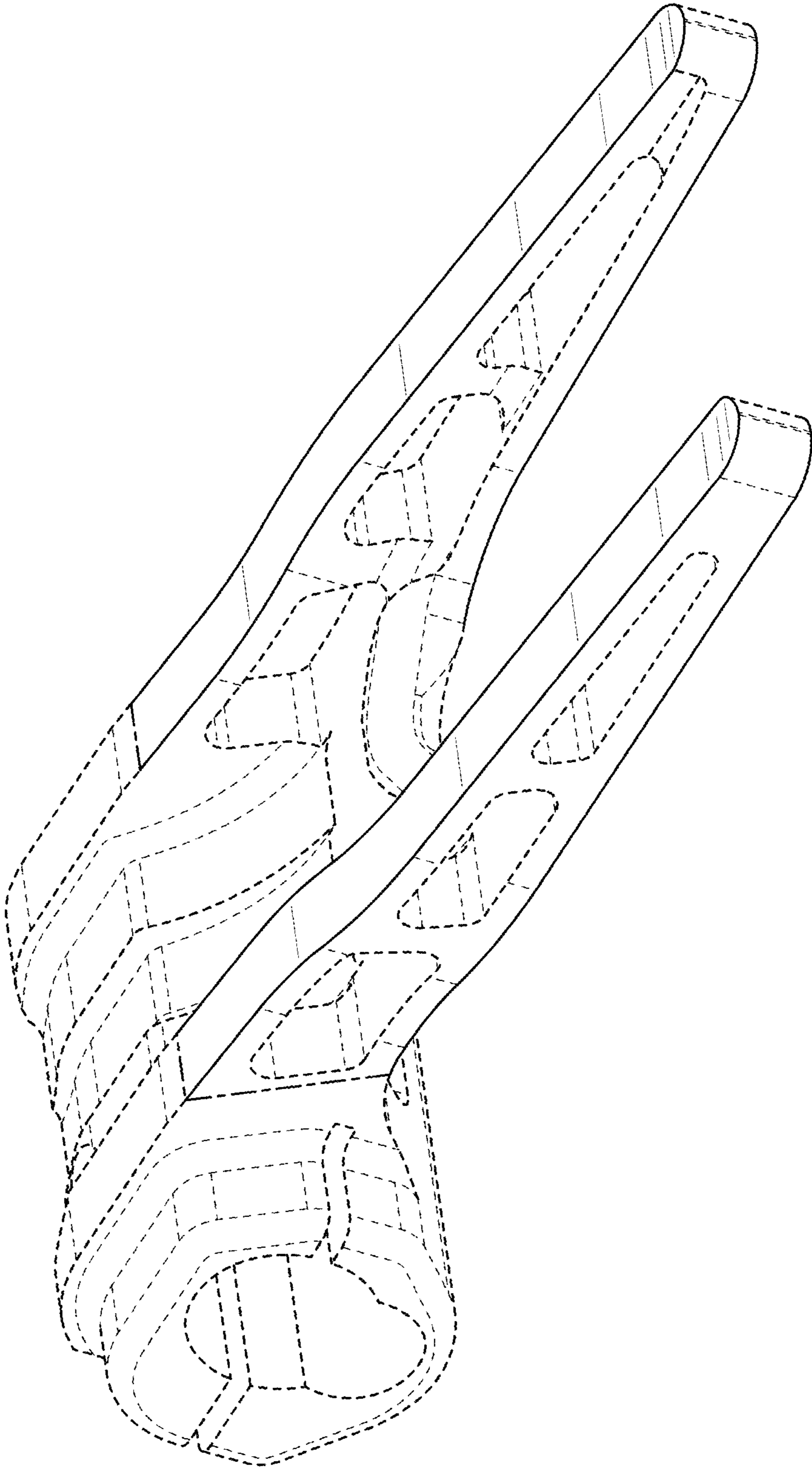


FIG. 9