



US00D962376S

(12) **United States Design Patent**
Fraser

(10) **Patent No.:** **US D962,376 S**
(45) **Date of Patent:** **** Aug. 30, 2022**

- (54) **PORTABLE SHELTER FRAME**
- (71) Applicant: **Mark Andrew Fraser**, Hamilton (AU)
- (72) Inventor: **Mark Andrew Fraser**, Hamilton (AU)
- (**) Term: **15 Years**
- (21) Appl. No.: **29/665,884**
- (22) Filed: **Oct. 8, 2018**

Related U.S. Application Data

- (63) Continuation-in-part of application No. 14/955,293, filed on Dec. 1, 2015, now abandoned.
- (51) **LOC (13) Cl.** **21-04**
- (52) **U.S. Cl.**
USPC **D21/834**
- (58) **Field of Classification Search**
USPC D21/834, 835, 836, 837, 838, 839, 840
CPC E04H 15/00; E04H 15/02; E04H 15/18;
E04H 15/28; E04H 15/32; E04H 15/34;
E04H 15/40; E04H 15/42; E04H 15/425;
E04H 15/50

See application file for complete search history.

(56) **References Cited**

U.S. PATENT DOCUMENTS

- 4,537,210 A * 8/1985 Montgomery E04H 15/003
135/115
- 5,944,040 A * 8/1999 Jang E04H 15/50
135/130
- D435,883 S * 1/2001 Laosunthara D21/834
- D470,907 S * 2/2003 Ju D21/834
- 6,718,995 B2 * 4/2004 Dotterweich E04H 15/50
135/117
- 6,929,017 B2 * 8/2005 Byun E04H 15/50
135/145
- 7,055,538 B2 * 6/2006 Deng E04H 15/50
135/117
- 8,220,477 B2 * 7/2012 Park E04H 15/50
135/145
- D670,003 S * 10/2012 Lovley, II D21/837
- D678,451 S * 3/2013 Jin D21/837

- D682,382 S * 5/2013 Ruminski D21/835
- D686,292 S * 7/2013 Wojdyla-Gray D21/836
- 8,616,226 B2 * 12/2013 Ma E04H 15/42
135/117
- 8,656,937 B1 2/2014 Minasi et al.
(Continued)

FOREIGN PATENT DOCUMENTS

WO WO 2000/42275 A1 7/2000

OTHER PUBLICATIONS

Caravan Canopy Sports 10x10—Feet, V-Series 2 Kit, White, Jun. 6, 2014, amazon.ca, Mar. 16, 2022, URL: https://www.amazon.ca/do/B00HWORVRM/ref=sbl_dp_x_ca-outdoor-gazebos-and-canopies_B00ZZZN3NQ_0?th=1 (Year: 2014).*

(Continued)

Primary Examiner — Keith J Wilson
(74) *Attorney, Agent, or Firm* — Brooks Kushman P.C.

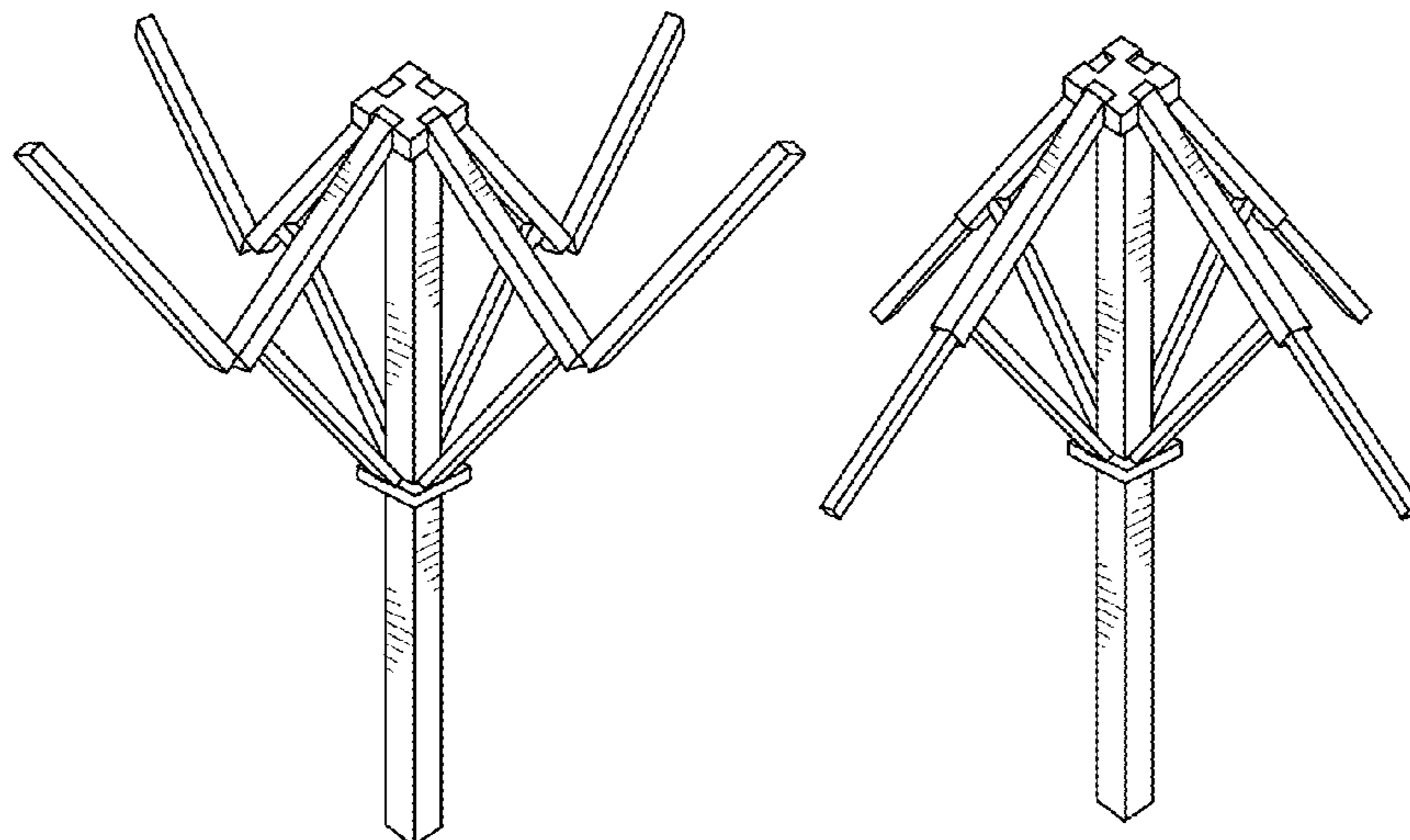
(57) **CLAIM**

The ornamental design for a portable shelter frame, as shown and described.

DESCRIPTION

FIG. 1 is a lower perspective view of a portable shelter frame showing my new design and in use with a canopy of a portable shelter;
FIG. 2 is an upper perspective view of the portable shelter frame of FIG. 1 isolated from the canopy; and,
FIG. 3 is an upper perspective view of an alternative state of the portable shelter frame of FIG. 1 isolated from the canopy.
The broken lines in FIG. 1 represent an exemplary canopy under which the portable shelter frame resides and forms no part of the claimed design.

1 Claim, 2 Drawing Sheets



(56)

References Cited

U.S. PATENT DOCUMENTS

8,776,816 B2 * 7/2014 Danziger E04H 15/48
 135/147
 D718,403 S * 11/2014 Jin D21/837
 D726,859 S * 4/2015 Lah D21/839
 D727,452 S * 4/2015 Yang D21/837
 9,528,292 B1 * 12/2016 Lovley, II E04H 15/48
 9,803,387 B2 * 10/2017 Groesel E04H 12/2246
 9,869,110 B2 * 1/2018 Krenzel E04H 15/18
 D854,107 S * 7/2019 Choi D21/834
 D884,811 S * 5/2020 Lah E04H 15/18
 D21/834
 D884,812 S * 5/2020 Lah E04H 15/18
 D21/834
 D884,813 S * 5/2020 Lah E04H 15/18
 D21/834
 D884,814 S * 5/2020 Lah E04H 15/18
 D21/834
 D945,019 S * 3/2022 Fraser D21/837
 D947,975 S * 4/2022 Lah D21/839
 D948,653 S * 4/2022 Lah D21/839
 11,311,762 B2 * 4/2022 Andon A63B 17/04
 D956,160 S * 6/2022 Lah D21/834
 2002/0074032 A1 * 6/2002 Park E04H 15/50
 135/131
 2004/0144412 A1 * 7/2004 Tsai E04H 15/50
 135/131
 2006/0185704 A1 * 8/2006 Guo E04H 15/28
 135/96
 2012/0006370 A1 1/2012 Liljekvist et al.
 2013/0247948 A1 * 9/2013 Lovley E04H 15/50
 135/145
 2014/0174491 A1 * 6/2014 Yang E04H 15/48
 135/144
 2014/0290710 A1 * 10/2014 Choi E04H 15/38
 135/136
 2015/0040957 A1 2/2015 Mallookis et al.
 2015/0308147 A1 * 10/2015 Lee E04H 1/1205
 135/145
 2015/0376913 A1 * 12/2015 Choi E04H 15/50
 135/147
 2016/0108639 A1 * 4/2016 Huang E04H 15/50
 135/144
 2016/0348392 A1 * 12/2016 Jin E04H 15/48
 2017/0152673 A1 * 6/2017 Fraser E04H 15/48

2018/0106068 A1 * 4/2018 Choi E04H 15/46
 2018/0142493 A1 * 5/2018 Choi E04H 15/50
 2019/0218814 A1 * 7/2019 Fraser A45B 25/02
 2019/0277053 A1 * 9/2019 Yang E04H 15/48
 2022/0202200 A1 * 6/2022 Mallory A47C 29/003

OTHER PUBLICATIONS

Caravan Canopy Sports EVO08021 8'x8' Evo Shade Instant Canopy, amazon.ca, Feb. 27, 2017, Mar. 16, 2022, URL: https://www.amazon.ca/dp/B01MS7WONE/ref=sbl_dp_x_ca-outdoor-gazebos-and-canopies_B00HWORVRM_0 (Year: 2017).*

Brabantia Lift-o-Matic Rotary Dryer, 196 feet, Grey, Apr. 30, 2012, amazon.ca, Jul. 5, 2022, URL: <https://www.amazon.ca/Brabantia-311048-Matic-Weather-Rotary/dp/B0002EXYPM/> (Year: 2012).*

Outdoor Umbrella Drying Rack, Rotary Portable, Jul. 14, 2021, amazon.ca, Jul. 5, 2022, URL: <https://www.amazon.ca/dp/B099F8M4PM/> (Year: 2021).*

Strata Outdoor Rotary Dryer Clothes Line, Dec. 29, 2016, amazon.ca, Jul. 5, 2022, URL: <https://www.amazon.ca/Strata-Outdoor-Rotary-Clothes-Silver/do/B00E3SZZZK/> (Year: 2016).*

Solabrella Instructional Video [Viewed on internet on Nov. 26, 2018]; <https://www.youtube.com/watch?v=pDEF74KVOU>, published on Sep. 16, 2013.

Australian Examination report No. 2 issued Oct. 15, 2018 in connection with Australian Patent Appl. No. 2018100606.

Australian Examination report No. 3 issued Nov. 26, 2018 in connection with Australian Patent Appl. No. 2018100606.

Australian Examination Report dated Feb. 4, 2019 in connection with Australian Patent Appl. No. 2018101518.

CoolCabanas [viewed on internet on Feb. 1, 2019] <URL:<https://www.youtube.com/watch?v=PzT5Vwyj6K8>>, published on Dec. 2, 2014.

CoolCabanas 2 Kickstarter page (<https://www.kickstarter.com/projects/markfraser/coolcabanas-2-worlds-best-sun-shelters>).

CoolCabanas Facebook post dated Aug. 3, 2014.

CoolCabanas Facebook post dated Nov. 22, 2014.

CoolCabanas Facebook post dated Nov. 24, 2014.

Australian Examination Report No. 2 dated Mar. 29, 2019 issued in connection with Australian Patent Appl. No. 2018101518.

Australian Examination Report No. 3 dated May 10, 2019 issued in connection with Australian Patent Appl. No. 2018101518.

Australian Examination Report No. 2 dated Jul. 3, 2019 issued in connection with Australian Patent Appl. No. 2018101518.

* cited by examiner

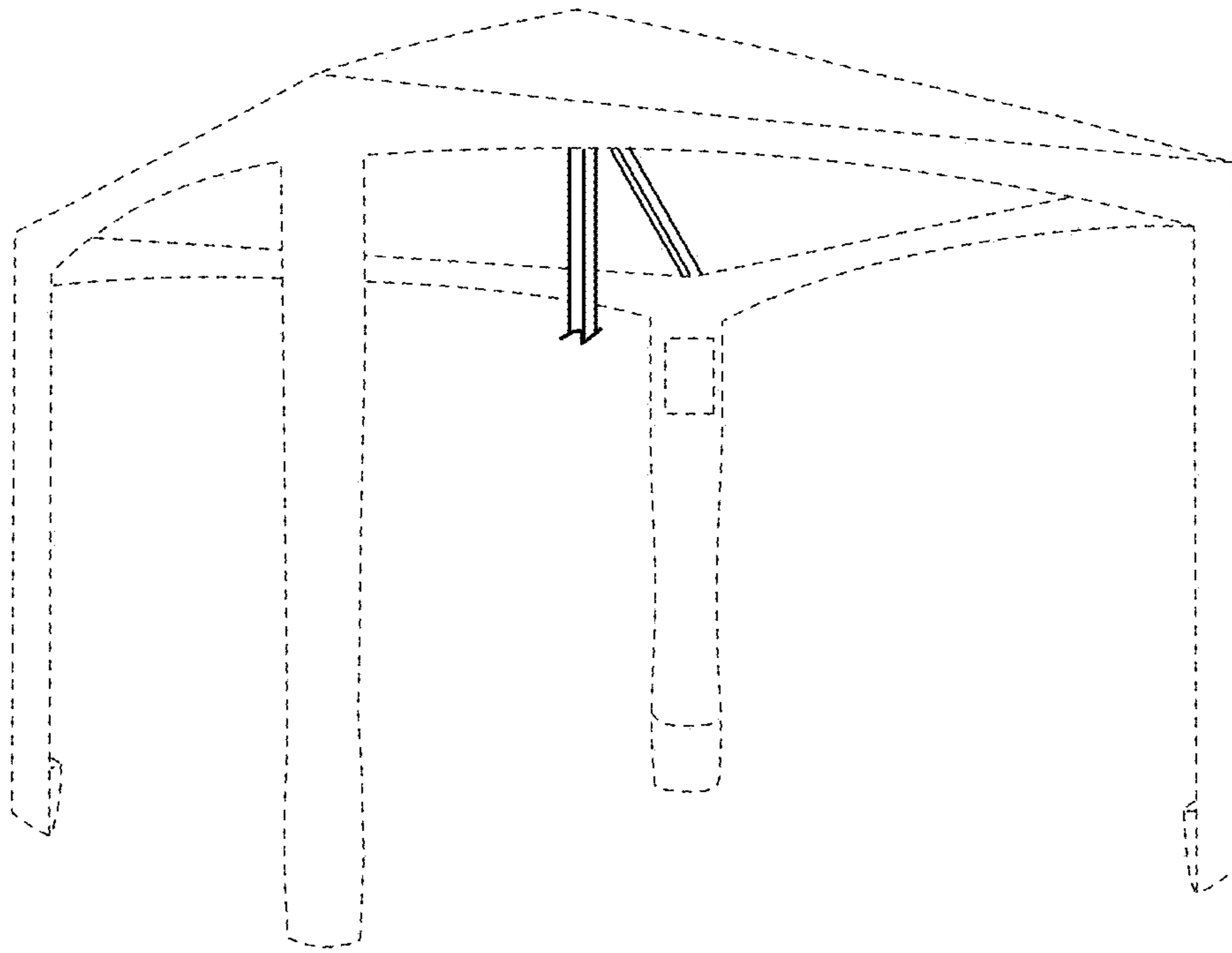


Fig. 1

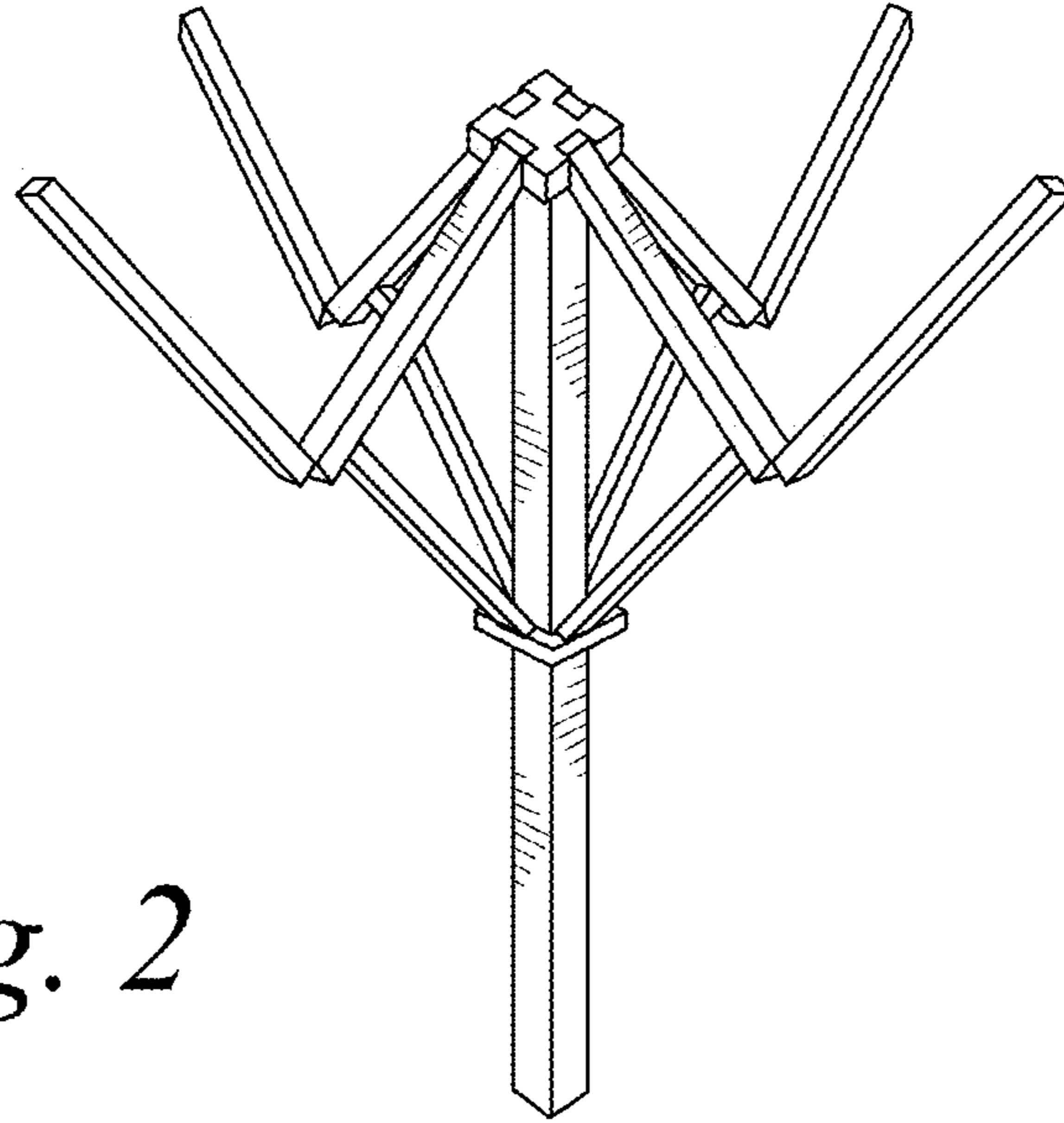


Fig. 2

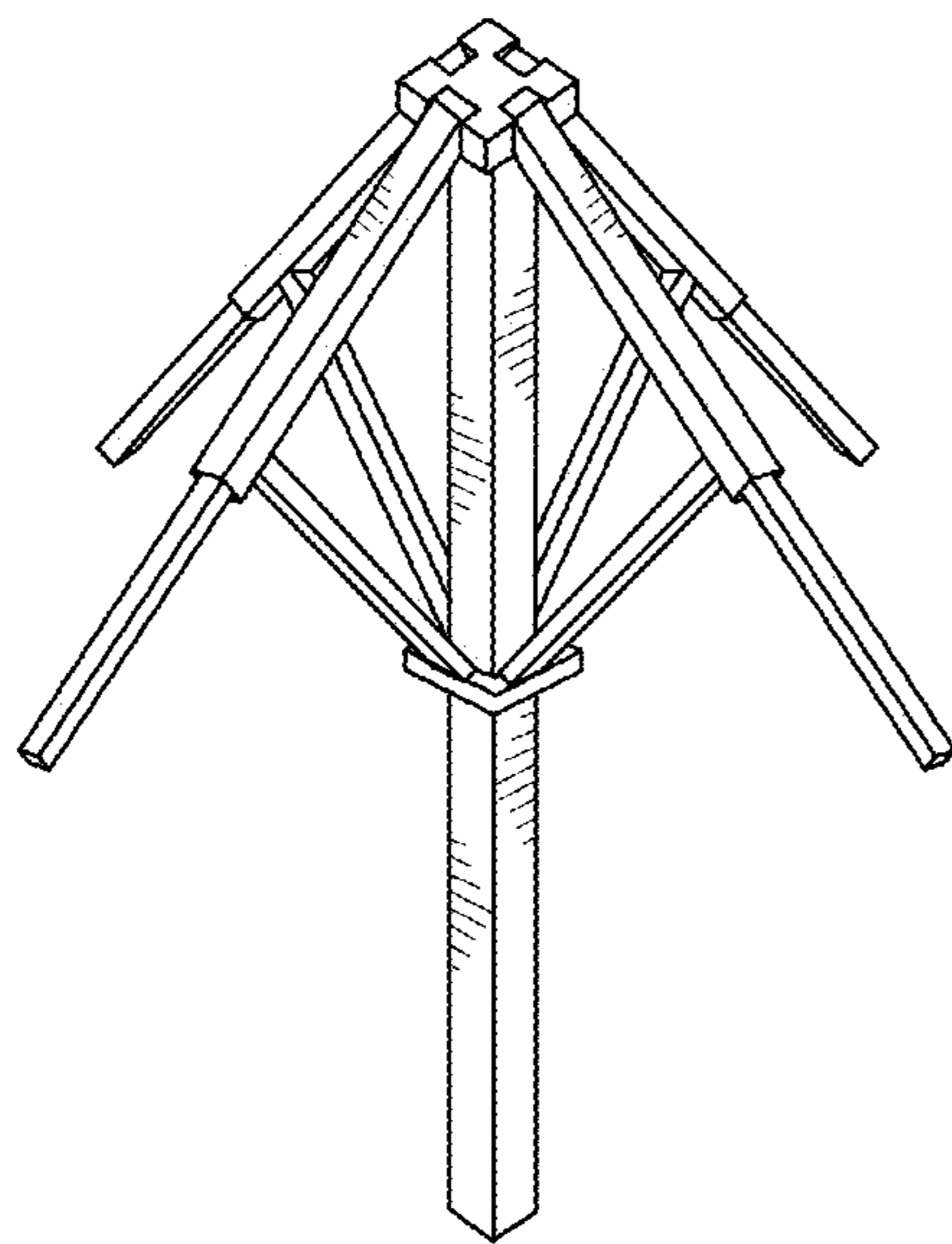


Fig. 3