

US00D962375S

(12) **United States Design Patent**
Roscovich

(10) **Patent No.:** **US D962,375 S**

(45) **Date of Patent:** **** Aug. 30, 2022**

(54) **FOOT FLOAT**

(71) Applicant: **Norman Roscovich**, Calgary (CA)

(72) Inventor: **Norman Roscovich**, Calgary (CA)

(**) Term: **15 Years**

(21) Appl. No.: **29/738,054**

(22) Filed: **Jun. 15, 2020**

(51) **LOC (13) Cl.** **21-02**

(52) **U.S. Cl.**
USPC **D21/803**

(58) **Field of Classification Search**
USPC D21/801, 803, 808, 809; D6/595, 596,
D6/597, 598, 601
CPC B63B 32/51; B63B 32/52; B63B 32/54;
B63B 35/58; B63B 35/607; B63B 35/613;
B63B 35/62
See application file for complete search history.

D849,865 S	5/2019	Thomas	
D851,424 S *	6/2019	Santjer	D6/601
D860,365 S	9/2019	Sharpe et al.	
D860,367 S *	9/2019	Barrett	D21/809
10,420,424 B1	9/2019	Perry	
D862,626 S *	10/2019	Hsu	D21/808
D875,437 S *	2/2020	Nicholson	D6/601
D898,430 S *	10/2020	Kulik	D6/601
D913,012 S *	3/2021	Krishtul	D6/601
D915,539 S *	4/2021	Zhang	D21/803
D923,358 S *	6/2021	Leverett	D6/601
D932,577 S *	10/2021	Gardner	D21/803
D948,894 S *	4/2022	Moffett	D6/601
2018/0199742 A1	7/2018	Rogers et al.	

* cited by examiner

Primary Examiner — Zenia I Bennett

(74) *Attorney, Agent, or Firm* — Lewellyn Law, PLLC;
Stephen Lewellyn

(57) **CLAIM**

The ornamental design for a foot float, as shown and described.

(56) **References Cited**

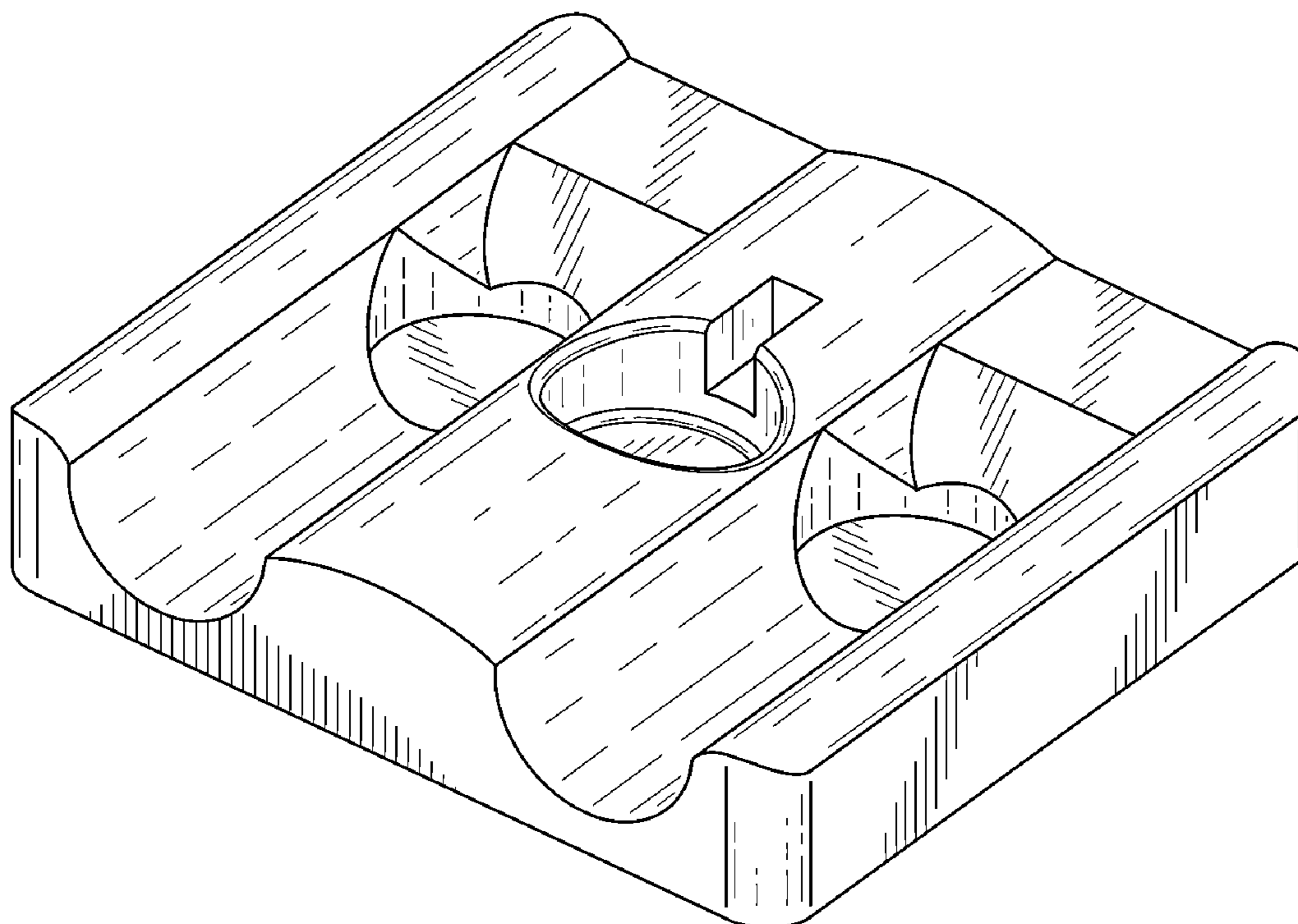
U.S. PATENT DOCUMENTS

D323,765 S	2/1992	Corthum	
D351,889 S *	10/1994	Buchanan	D21/803
D453,367 S	2/2002	Katz et al.	
D483,829 S	12/2003	Wu	
D495,391 S	8/2004	Woo	
D509,875 S	9/2005	Farrall	
D548,479 S *	8/2007	Clark	D6/333
D600,768 S	9/2009	Foti	
D635,213 S	3/2011	Hunter	
D686,684 S	7/2013	Wolfenbarger	
D775,294 S	12/2016	Robinson	

DESCRIPTION

FIG. 1 is a top perspective view of the foot float in accordance with my invention;
FIG. 2 is a bottom perspective view of FIG. 1;
FIG. 3 is a top plan view of FIG. 1;
FIG. 4 is a bottom plan view of FIG. 1;
FIG. 5 is a left elevation view of FIG. 1;
FIG. 6 is a right elevation view of FIG. 1;
FIG. 7 is a front elevation view of FIG. 1; and,
FIG. 8 is back elevation view of FIG. 1.

1 Claim, 3 Drawing Sheets



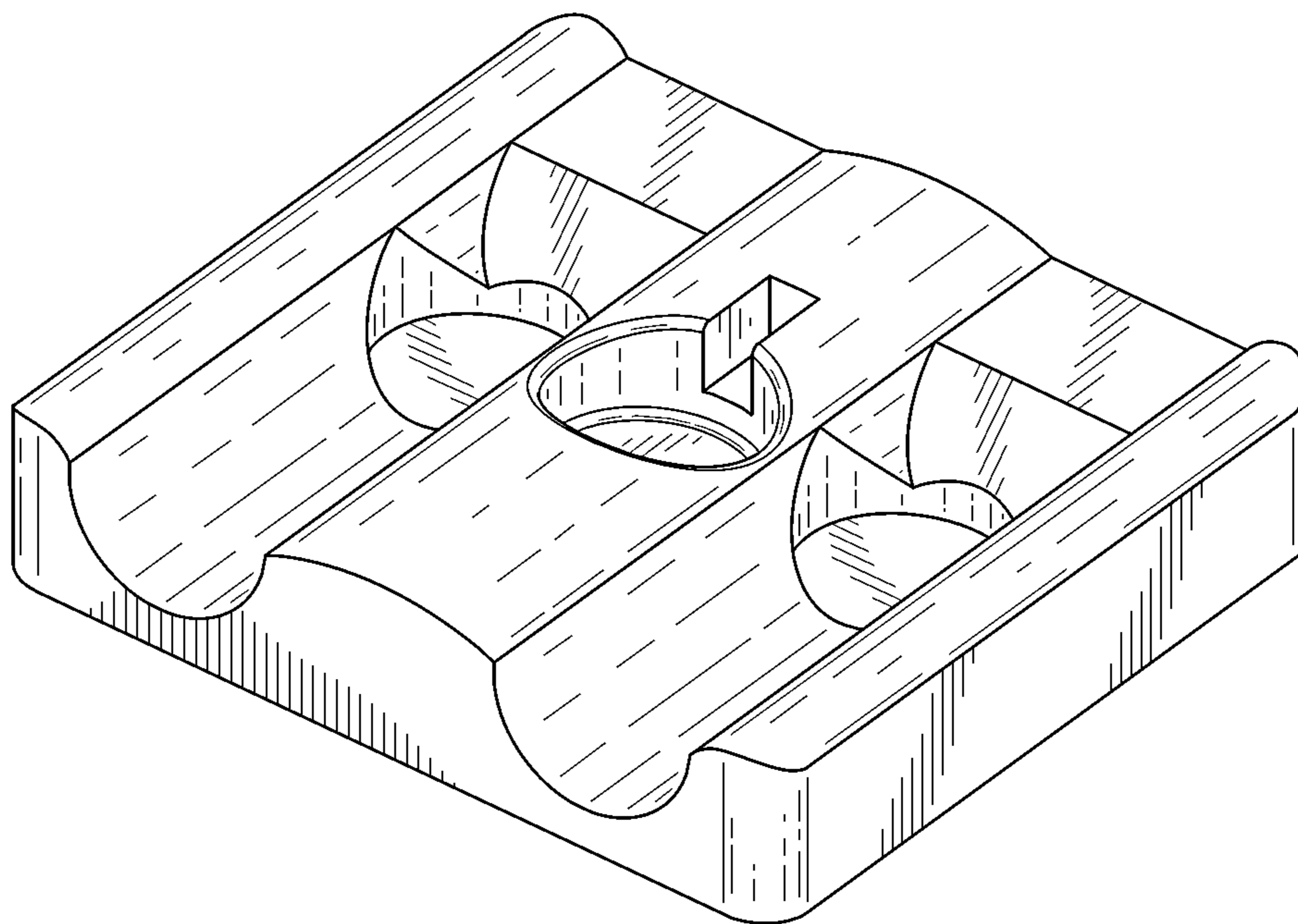


FIG. 1

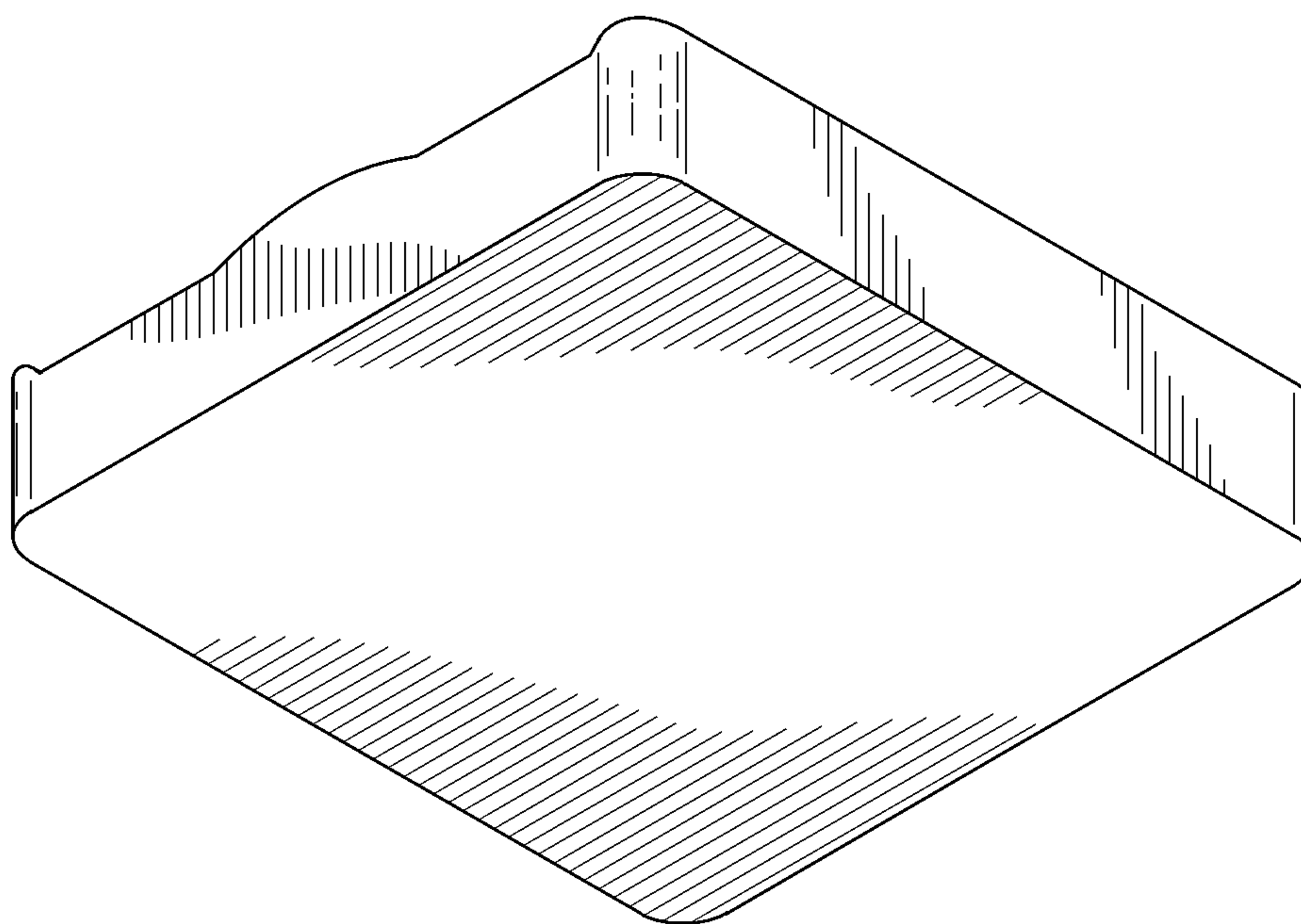


FIG. 2

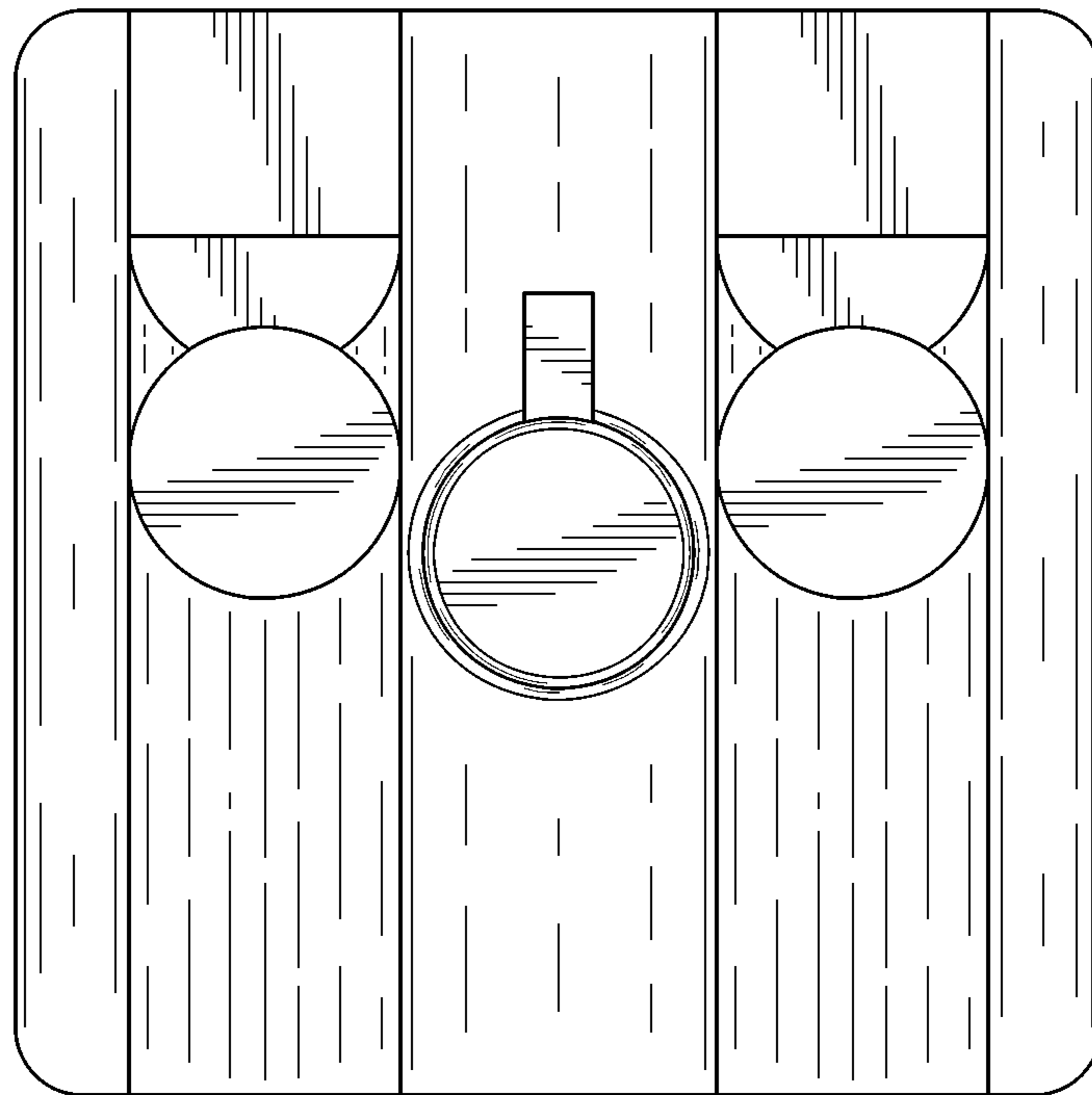


FIG. 3

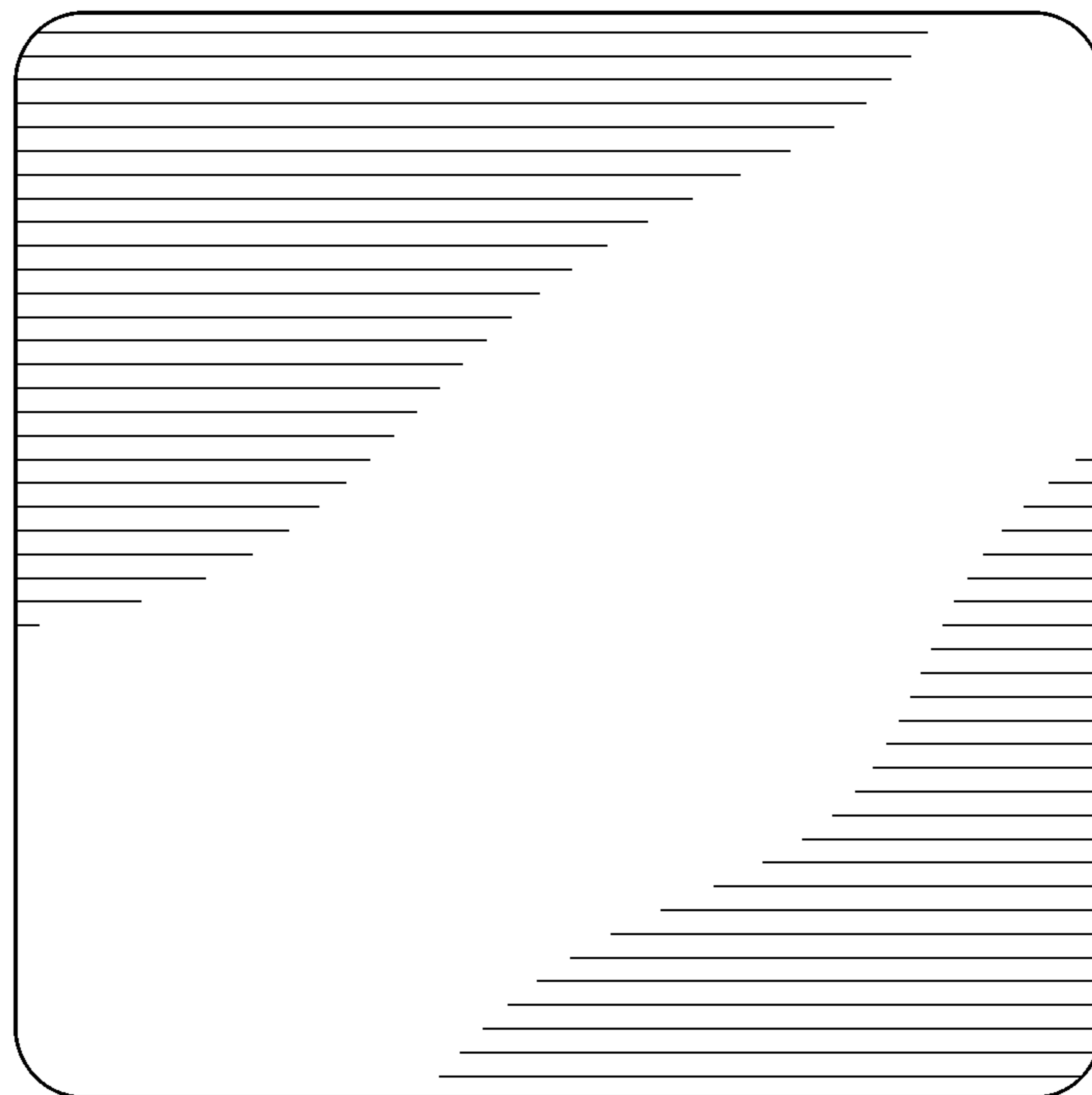


FIG. 4

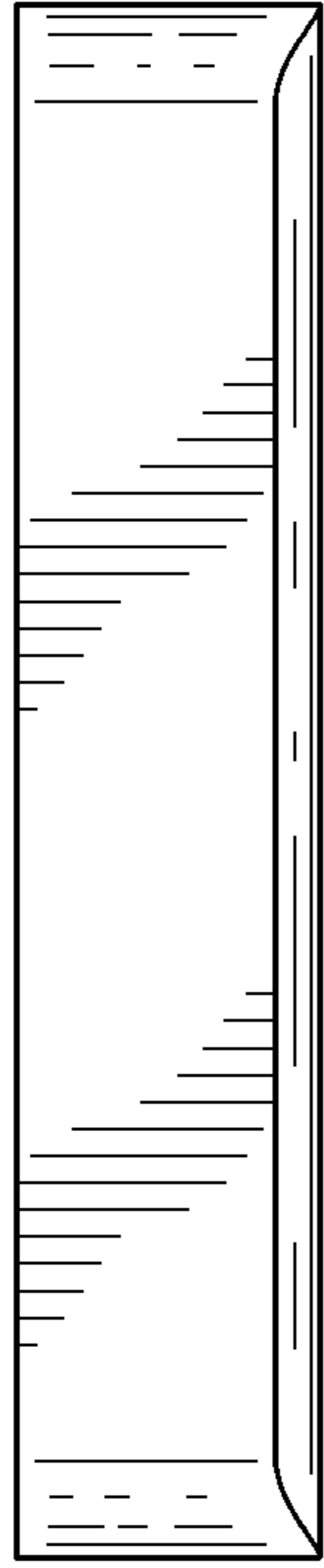


FIG. 5

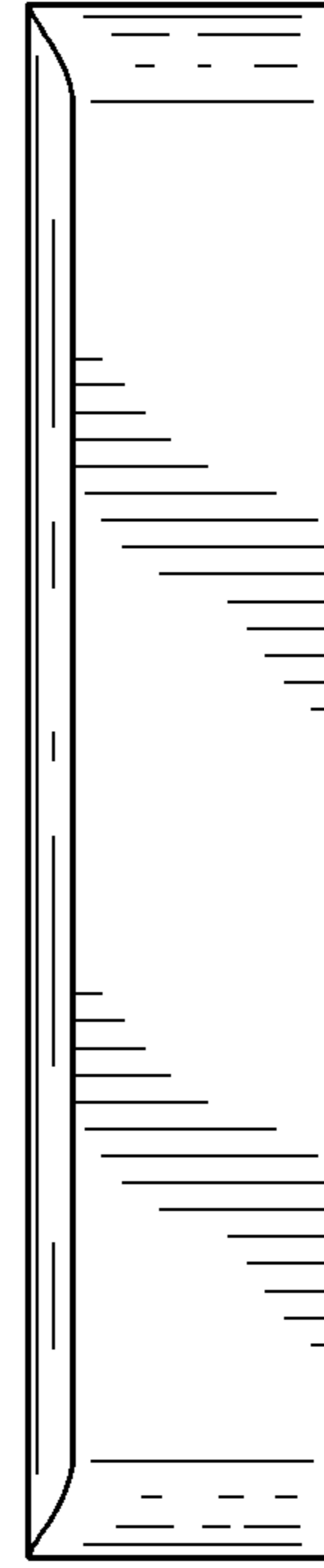


FIG. 6

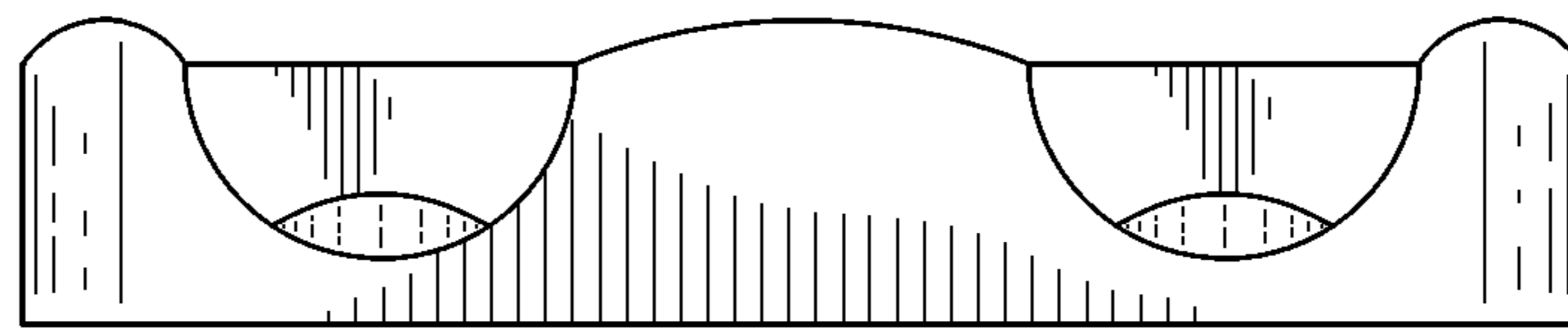


FIG. 7

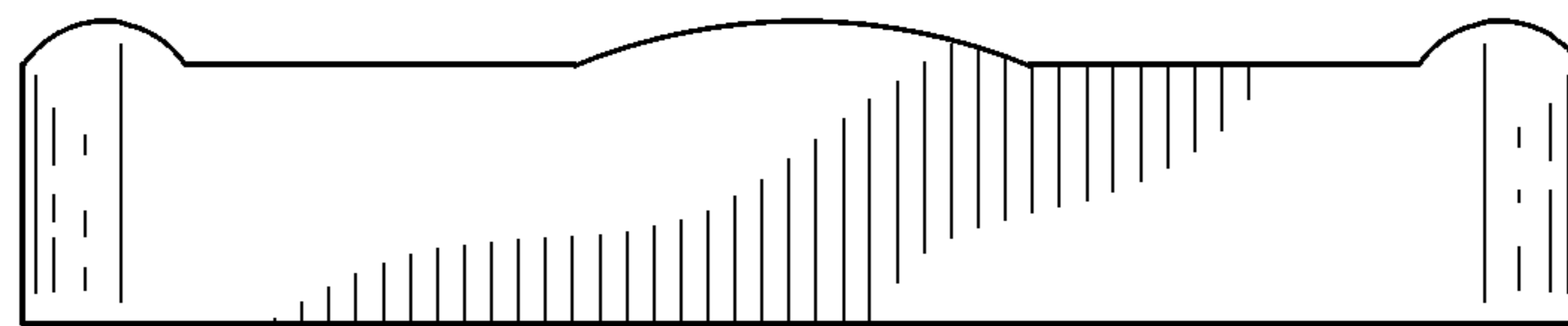


FIG. 8