



US00D962369S

(12) **United States Design Patent** (10) **Patent No.:** **US D962,369 S**  
**Parsons et al.** (45) **Date of Patent:** **\*\* Aug. 30, 2022**

(54) **GOLF CLUB HEAD**

(56) **References Cited**

(71) Applicant: **PARSONS XTREME GOLF, LLC**,  
Scottsdale, AZ (US)  
  
(72) Inventors: **Robert R. Parsons**, Scottsdale, AZ  
(US); **Michael R. Nicolette**, Scottsdale,  
AZ (US); **Bradley D. Schweigert**, Cave  
Creek, AZ (US); **Caleb S. Kroloff**,  
Phoenix, AZ (US); **Daniel C. Kirtley**,  
Scottsdale, AZ (US); **William N.**  
**Knopka, III**, Scottsdale, AZ (US)  
  
(73) Assignee: **PARSONS XTREME GOLF, LLC**,  
Scottsdale, AZ (US)

U.S. PATENT DOCUMENTS

1,133,129 A 3/1915 Govan  
2,254,528 A 9/1941 Hoare  
D164,469 S 9/1951 Behrendt  
D164,597 S 9/1951 Penna  
D175,107 S 7/1955 Gordon  
3,020,048 A 2/1962 Carroll  
D203,936 S 3/1966 Long  
D215,101 S 9/1969 Sabat  
D234,963 S 4/1975 Hirata  
D239,550 S 4/1976 Timbrook  
D240,054 S 5/1976 Meissler  
D244,792 S 6/1977 Gelinas

(Continued)

(\*\*) Term: **15 Years**  
  
(21) Appl. No.: **29/774,875**  
  
(22) Filed: **Mar. 19, 2021**

OTHER PUBLICATIONS

Pxg irons google serch; google.com;Jun. 30, 2022.\*  
(Continued)

*Primary Examiner* — Mitchell I. Siegel

(57) **CLAIM**

The ornamental design for a golf club head, as shown and described.

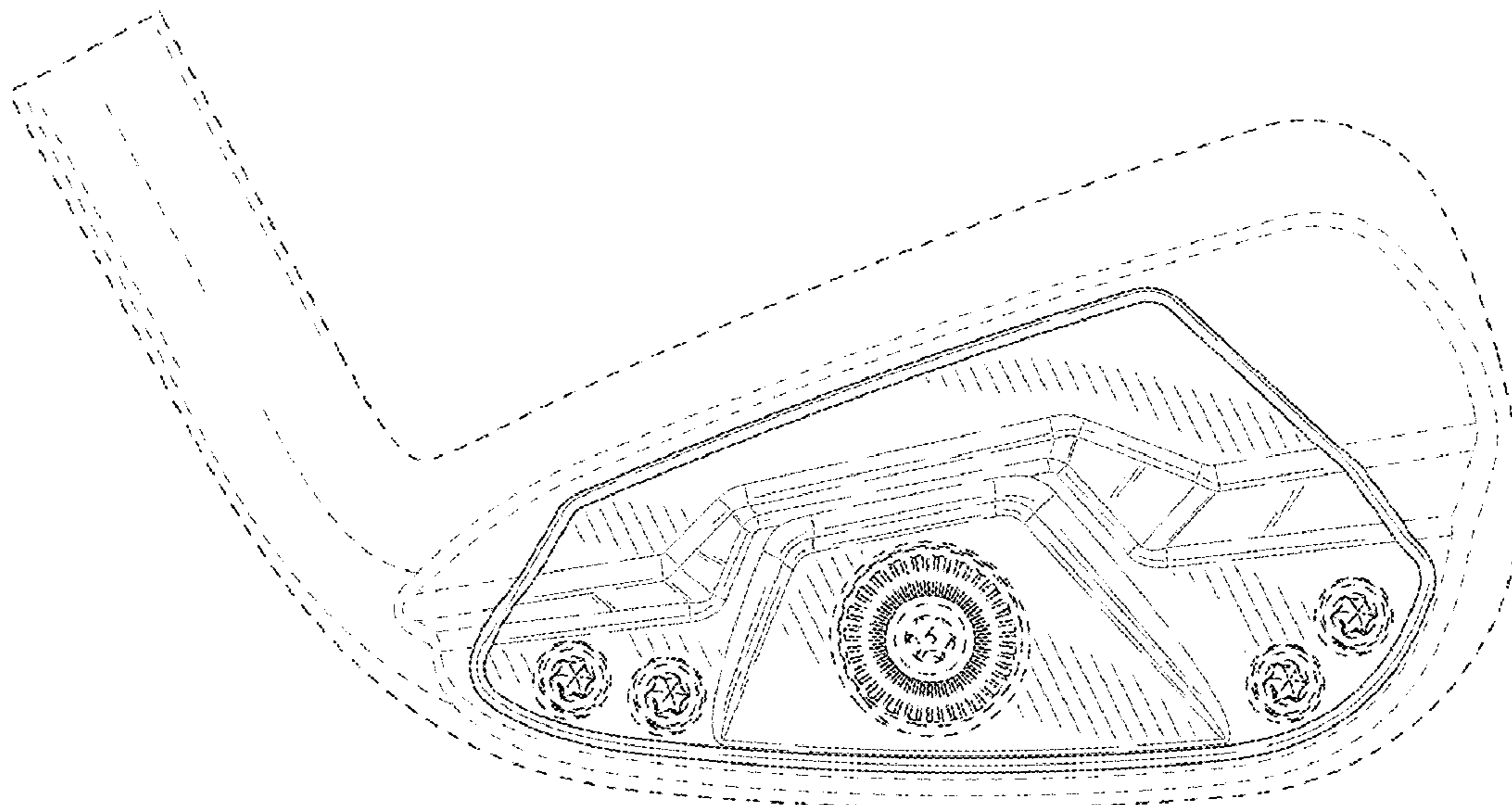
**DESCRIPTION**

FIG. 1 is a top perspective view of a golf club head;  
FIG. 2 is a bottom perspective view of the golf club head of FIG. 1;  
FIG. 3 is a front elevational view of the golf club head of FIG. 1;  
FIG. 4 is a rear elevational view of the golf club head of FIG. 1;  
FIG. 5 is a top view of the golf club head of FIG. 1;  
FIG. 6 is a bottom view of the golf club head of FIG. 1;  
FIG. 7 is a left side view of the golf club head of FIG. 1; and,  
FIG. 8 is a right side view of the golf club head of FIG. 1.  
The broken lines shown on the drawings form no part of the claimed design.

**Related U.S. Application Data**

(60) Division of application No. 29/767,421, filed on Jan. 22, 2021, now Pat. No. Des. 922,506, which is a continuation-in-part of application No. 29/745,151, filed on Aug. 4, 2020, now Pat. No. Des. 916,220.  
  
(51) **LOC (13) Cl.** ..... **21-02**  
(52) **U.S. Cl.**  
USPC ..... **D21/747**  
(58) **Field of Classification Search**  
USPC ..... D21/747-751, 759  
CPC ..... A63B 53/00; A63B 53/02; A63B 53/04;  
A63B 53/047; A63B 53/0475; A63B  
2053/0479; A63B 60/00; A63B 60/46;  
A63B 2053/0483; A63B 2053/0445  
See application file for complete search history.

**1 Claim, 4 Drawing Sheets**





(56)

References Cited

U.S. PATENT DOCUMENTS

7,658,686 B2 2/2010 Soracco  
D612,438 S 3/2010 Carlyle et al.  
D612,439 S 3/2010 Carlyle et al.  
D617,406 S 6/2010 Carlyle et al.  
D618,293 S 6/2010 Foster et al.  
7,736,243 B2 6/2010 Sanchez et al.  
7,744,484 B1 6/2010 Chao  
D621,893 S 8/2010 Nicolette et al.  
D621,894 S 8/2010 Schweigert  
D621,895 S 8/2010 Schweigert et al.  
7,798,917 B2 9/2010 Nguyen et al.  
7,815,521 B2 10/2010 Ban et al.  
D627,409 S 11/2010 Schweigert et al.  
D627,410 S 11/2010 Nicolette et al.  
7,846,040 B2 12/2010 Ban  
D633,159 S 2/2011 Holt et al.  
D633,967 S 3/2011 Carlyle et al.  
D635,627 S 4/2011 Nicolette  
7,938,738 B2 5/2011 Roach  
D642,642 S 8/2011 Jertson et al.  
D643,488 S 8/2011 Holt et al.  
D643,490 S 8/2011 Wada et al.  
D643,491 S 8/2011 Stokke et al.  
D643,492 S 8/2011 Nicolette et al.  
D643,895 S 8/2011 Wieland  
D643,896 S 8/2011 Jertson et al.  
D647,582 S 10/2011 Nicolette et al.  
D647,984 S 11/2011 Atwell et al.  
D649,211 S 11/2011 Jertson et al.  
8,062,150 B2 11/2011 Gilbert et al.  
D651,268 S 12/2011 Nicolette et al.  
8,088,025 B2 1/2012 Wahl et al.  
8,092,319 B1 1/2012 Cackett et al.  
8,105,180 B1 1/2012 Cackett et al.  
8,142,307 B2 3/2012 Sanchez et al.  
D658,248 S 4/2012 Nunez et al.  
D659,780 S 5/2012 Llewellyn et al.  
8,221,262 B1 7/2012 Cackett et al.  
8,246,487 B1 8/2012 Cackett et al.  
D670,775 S 11/2012 Jertson et al.  
D672,417 S 12/2012 Jertson et al.  
8,328,662 B2 12/2012 Nakamura et al.  
D673,633 S 1/2013 Jertson et al.  
D673,634 S 1/2013 Jertson et al.  
8,376,878 B2 2/2013 Bennett et al.  
D680,603 S 4/2013 Nicolette et al.  
D681,142 S 4/2013 Fossum et al.  
D681,143 S 4/2013 Nicolette et al.  
8,414,422 B2 4/2013 Peralta et al.  
8,506,420 B2 8/2013 Hocknell et al.  
8,545,343 B2 10/2013 Boyd et al.  
8,574,094 B2 11/2013 Nicolette et al.  
8,657,700 B2 2/2014 Nicolette et al.  
8,663,026 B2 3/2014 Blowers et al.  
8,690,710 B2 4/2014 Nicolette et al.  
D707,316 S 6/2014 Aguayo et al.  
D707,317 S 6/2014 Aguayo et al.  
8,753,230 B2 6/2014 Stokke et al.  
D708,688 S 7/2014 Nicolette et al.  
8,827,832 B2 9/2014 Breier et al.  
8,827,833 B2 9/2014 Amano et al.  
8,845,455 B2 9/2014 Ban et al.  
D716,387 S 10/2014 Aguayo et al.  
D716,388 S 10/2014 Aguayo et al.  
D716,391 S 10/2014 Roche et al.  
D719,627 S 12/2014 Wieland et al.  
D722,352 S \* 2/2015 Nicolette ..... D21/747  
D723,120 S \* 2/2015 Nicolette ..... D21/747  
8,961,336 B1 \* 2/2015 Parsons ..... A63B 60/02  
473/332  
D726,265 S \* 4/2015 Nicolette ..... D21/747  
9,199,143 B1 12/2015 Parsons et al.  
D746,749 S 1/2016 Baum  
D746,926 S 1/2016 Parsons et al.  
D748,214 S \* 1/2016 Nicolette ..... D21/747

D748,749 S \* 2/2016 Nicolette ..... D21/759  
D756,471 S \* 5/2016 Nicolette ..... D21/747  
9,345,938 B2 5/2016 Parsons et al.  
9,346,203 B2 \* 5/2016 Parsons ..... B29C 45/14467  
D762,792 S 8/2016 Oliveira et al.  
D762,793 S 8/2016 Takechi et al.  
D764,610 S 8/2016 Parsons et al.  
9,421,437 B2 8/2016 Parsons et al.  
9,427,634 B2 8/2016 Parsons et al.  
9,468,821 B2 \* 10/2016 Parsons ..... A63B 53/0475  
D773,574 S 12/2016 Oliveira et al.  
D773,575 S \* 12/2016 Nicolette ..... D21/747  
9,533,201 B2 \* 1/2017 Parsons ..... B29C 45/14311  
9,610,481 B2 4/2017 Parsons et al.  
9,649,542 B2 \* 5/2017 Nicolette ..... A63B 53/047  
D795,979 S 8/2017 Parsons et al.  
9,764,208 B1 9/2017 Parsons et al.  
D802,068 S \* 11/2017 Parsons ..... D21/747  
9,814,952 B2 \* 11/2017 Parsons ..... A63B 53/0475  
D816,787 S \* 5/2018 Nicolette ..... D21/747  
D825,891 S \* 8/2018 Parsons ..... D2/747  
D827,065 S \* 8/2018 Nicolette ..... D21/747  
D829,837 S 10/2018 Wolfe  
D832,953 S 11/2018 Bacon et al.  
D835,737 S \* 12/2018 Parsons ..... D21/747  
D852,302 S \* 6/2019 Parsons ..... D21/747  
D856,450 S 8/2019 Milleman et al.  
D856,451 S \* 8/2019 Parsons ..... D21/747  
D857,820 S 8/2019 Marukawa et al.  
D859,547 S 9/2019 Stokke et al.  
D863,478 S \* 10/2019 Parsons ..... D21/747  
10,632,349 B2 \* 4/2020 Parsons ..... A63B 53/04  
D893,647 S \* 8/2020 Parsons ..... D21/747  
D893,648 S \* 8/2020 Parsons ..... D21/747  
D894,302 S \* 8/2020 Parsons ..... D21/747  
10,729,948 B2 \* 8/2020 Parsons ..... A63B 53/047  
10,729,949 B2 \* 8/2020 Parsons ..... A63B 53/0475  
D898,143 S \* 10/2020 Parsons ..... D21/747  
D898,144 S \* 10/2020 Parsons ..... D21/747  
D898,145 S \* 10/2020 Parsons ..... D21/747  
10,874,919 B2 \* 12/2020 Parsons ..... A63B 53/04  
D916,220 S \* 4/2021 Parsons ..... D21/747  
D922,506 S \* 6/2021 Parsons ..... D21/747

2002/0107087 A1 8/2002 Fagot  
2003/0139226 A1 7/2003 Cheng et al.  
2003/0176231 A1 9/2003 Hasebe  
2004/0204263 A1 10/2004 Fagot et al.  
2005/0009632 A1 1/2005 Schweigert et al.  
2005/0014573 A1 1/2005 Lee  
2005/0096148 A1 5/2005 Noble et al.  
2005/0119066 A1 6/2005 Stites et al.  
2005/0239569 A1 10/2005 Best et al.  
2005/0277485 A1 12/2005 Hou et al.  
2006/0111200 A1 5/2006 Poynor  
2007/0032308 A1 2/2007 Fagot et al.  
2007/0225084 A1 9/2007 Schweigert et al.  
2008/0058113 A1 3/2008 Nicolette et al.  
2008/0188322 A1 8/2008 Anderson et al.  
2008/0300065 A1 12/2008 Schweigert  
2009/0029790 A1 1/2009 Nicolette et al.  
2010/0130306 A1 5/2010 Schweigert  
2010/0178999 A1 7/2010 Nicolette et al.  
2011/0111683 A1 5/2011 Kelnhofer  
2011/0111883 A1 5/2011 Cackett  
2011/0165963 A1 7/2011 Cackett et al.  
2011/0269567 A1 11/2011 Ban et al.  
2011/0294596 A1 12/2011 Ban  
2012/0267410 A1 10/2012 Loudenslager et al.  
2013/0137532 A1 5/2013 Deshmukh et al.  
2013/0225319 A1 8/2013 Kato  
2013/0281226 A1 10/2013 Ban  
2013/0288823 A1 10/2013 Hebreo  
2013/0303303 A1 11/2013 Ban  
2013/0310192 A1 11/2013 Wahl et al.  
2014/0080621 A1 3/2014 Nicolette et al.  
2014/0128175 A1 5/2014 Jertson et al.  
2014/0274441 A1 9/2014 Greer  
2014/0274451 A1 9/2014 Knight et al.  
2015/0136825 A1 5/2015 Kalck et al.

(56)

**References Cited**

U.S. PATENT DOCUMENTS

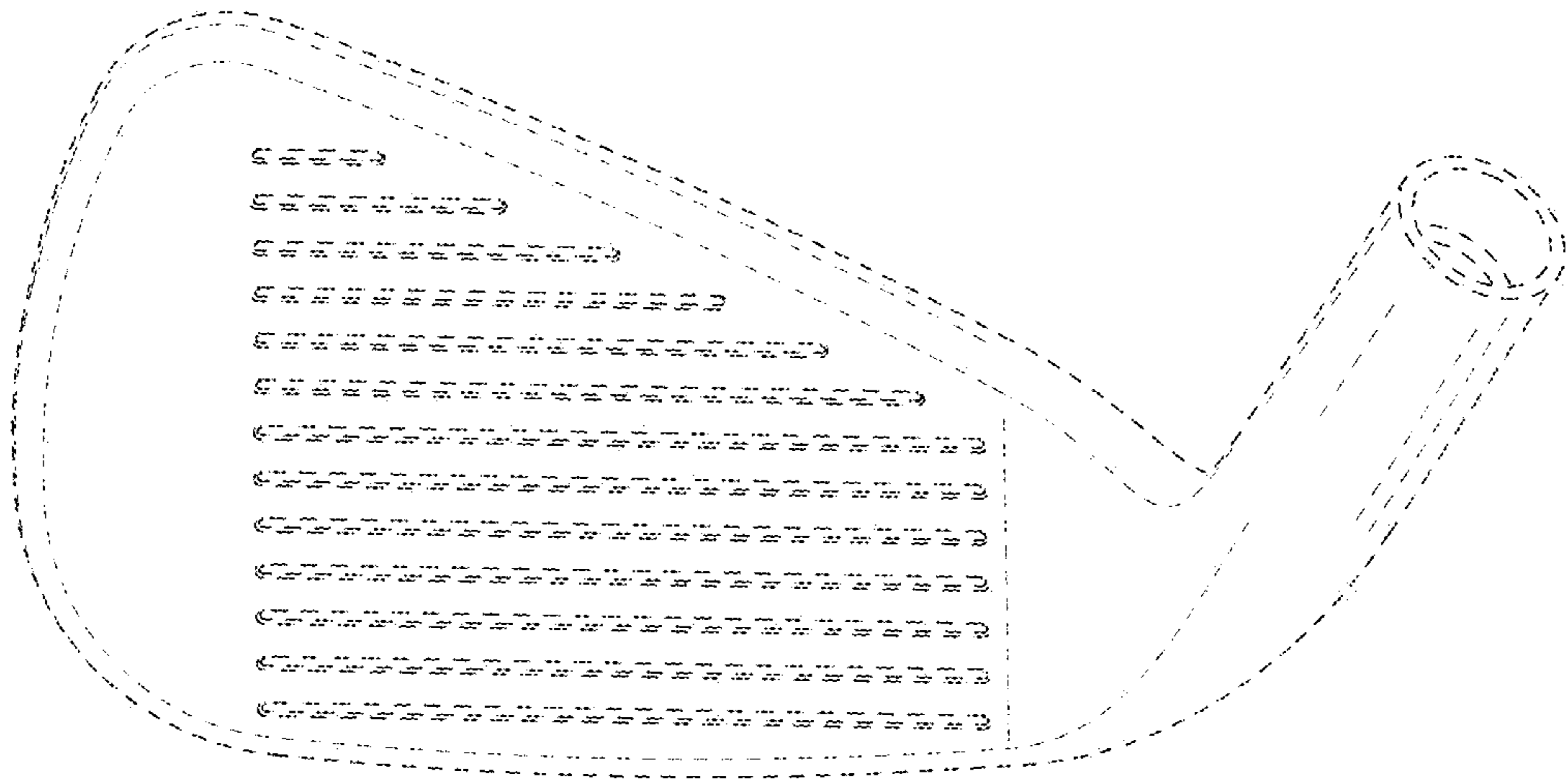
2015/0231454 A1 8/2015 Parsons et al.  
 2015/0231806 A1 8/2015 Parsons et al.  
 2015/0328508 A1\* 11/2015 Parsons ..... A63B 53/0475  
 473/350  
 2017/0368429 A1\* 12/2017 Parsons ..... A63B 60/02  
 2018/0104551 A1\* 4/2018 Parsons ..... A63B 53/047  
 2018/0140910 A1\* 5/2018 Parsons ..... A63B 53/0466  
 2018/0169488 A1\* 6/2018 Parsons ..... A63B 53/047  
 2018/0207494 A1\* 7/2018 Parsons ..... A63B 53/0466  
 2018/0221727 A1\* 8/2018 Parsons ..... A63B 53/047  
 2018/0236325 A1\* 8/2018 Parsons ..... A63B 53/0466  
 2018/0318673 A1\* 11/2018 Parsons ..... A63B 53/0487  
 2019/0143183 A1\* 5/2019 Parsons ..... A63B 60/02  
 473/346  
 2019/0201758 A1\* 7/2019 Parsons ..... A63B 53/0487  
 2019/0232124 A1\* 8/2019 Parsons ..... A63B 53/0487  
 2019/0232125 A1\* 8/2019 Parsons ..... A63B 60/02  
 2019/0232126 A1\* 8/2019 Nicolette ..... A63B 53/0475  
 2019/0240549 A1\* 8/2019 Parsons ..... A63B 53/047  
 2019/0247726 A1\* 8/2019 Parsons ..... A63B 53/0408  
 2019/0247727 A1\* 8/2019 Parsons ..... A63B 53/0475

2020/0047038 A1\* 2/2020 Parsons ..... A63B 53/0475  
 2020/0070018 A1\* 3/2020 Parsons ..... A63B 53/0466  
 2020/0346082 A1\* 11/2020 Parsons ..... A63B 53/0475  
 2020/0353326 A1\* 11/2020 Parsons ..... A63B 53/0487  
 2020/0376353 A1\* 12/2020 Parsons ..... A63B 53/047  
 2021/0008420 A1\* 1/2021 Parsons ..... A63B 53/0466  
 2021/0016141 A1\* 1/2021 Parsons ..... A63B 60/02

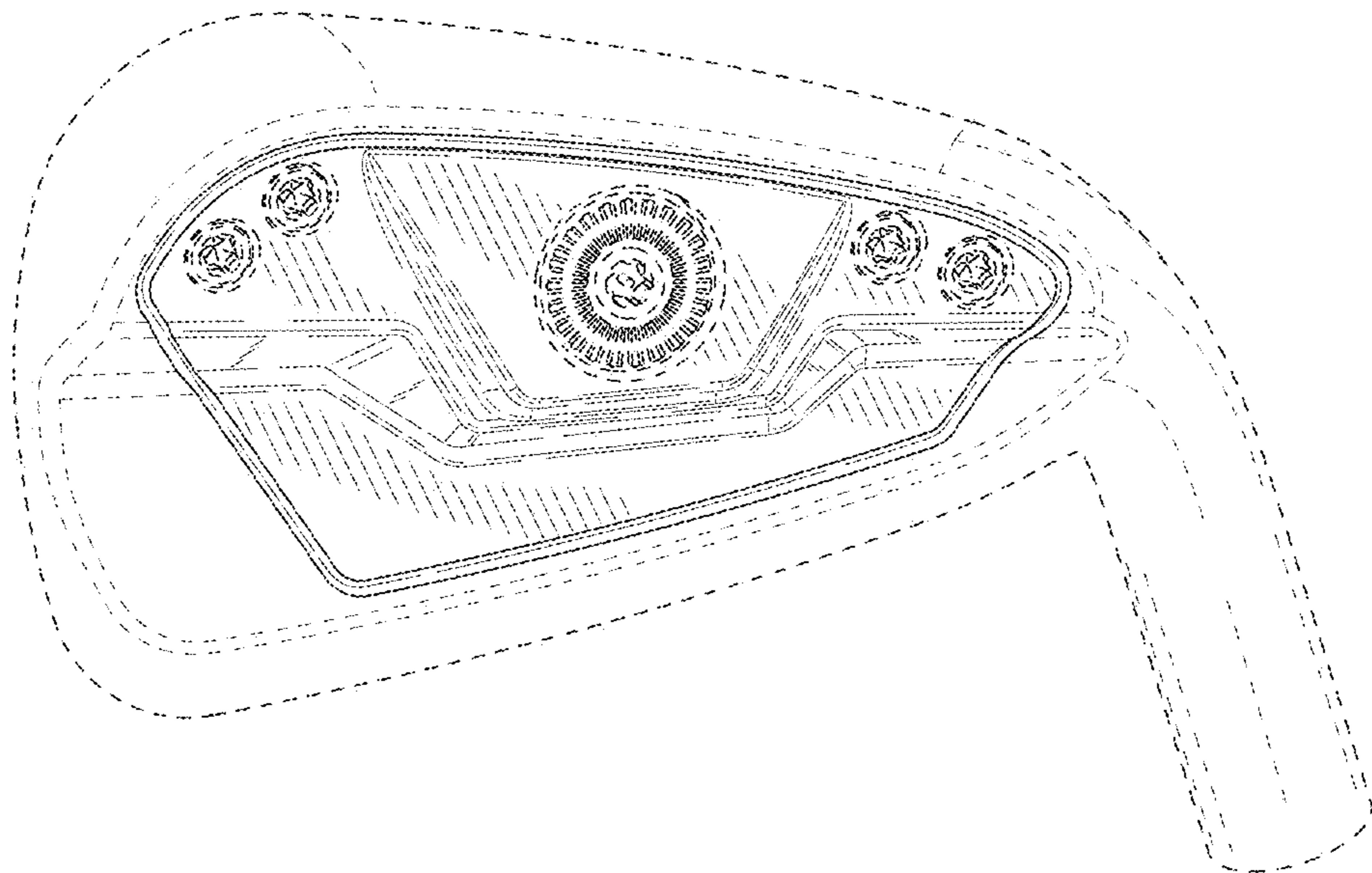
OTHER PUBLICATIONS

pxg.com; Jun. 30, 2022.\*  
 Kozuchowski, Zak, "Callaway Mack Daddy 2 PM Grind Wedges"  
 (<http://golfwrz.com/276203/callaway-mack-daddy-2-pm-grind-wedges/>), www.golfwrz.com, Golfwrz Holdings, LLC, published Jan. 21, 2015.  
 PCT/US2015/016666: International Search Report and Written Opinion dated May 14, 2015 (8 Pages).  
 Wall, Jonathan, "Details: Phil's Prototype Mack Daddy PM-Grind Wedge," (<http://www.pgatour.com/equipmentreport/2015/01/21/callaway-wedge.html>), www.pgatour.com, PGA Tour, Inc., Published Jan. 21, 2015.

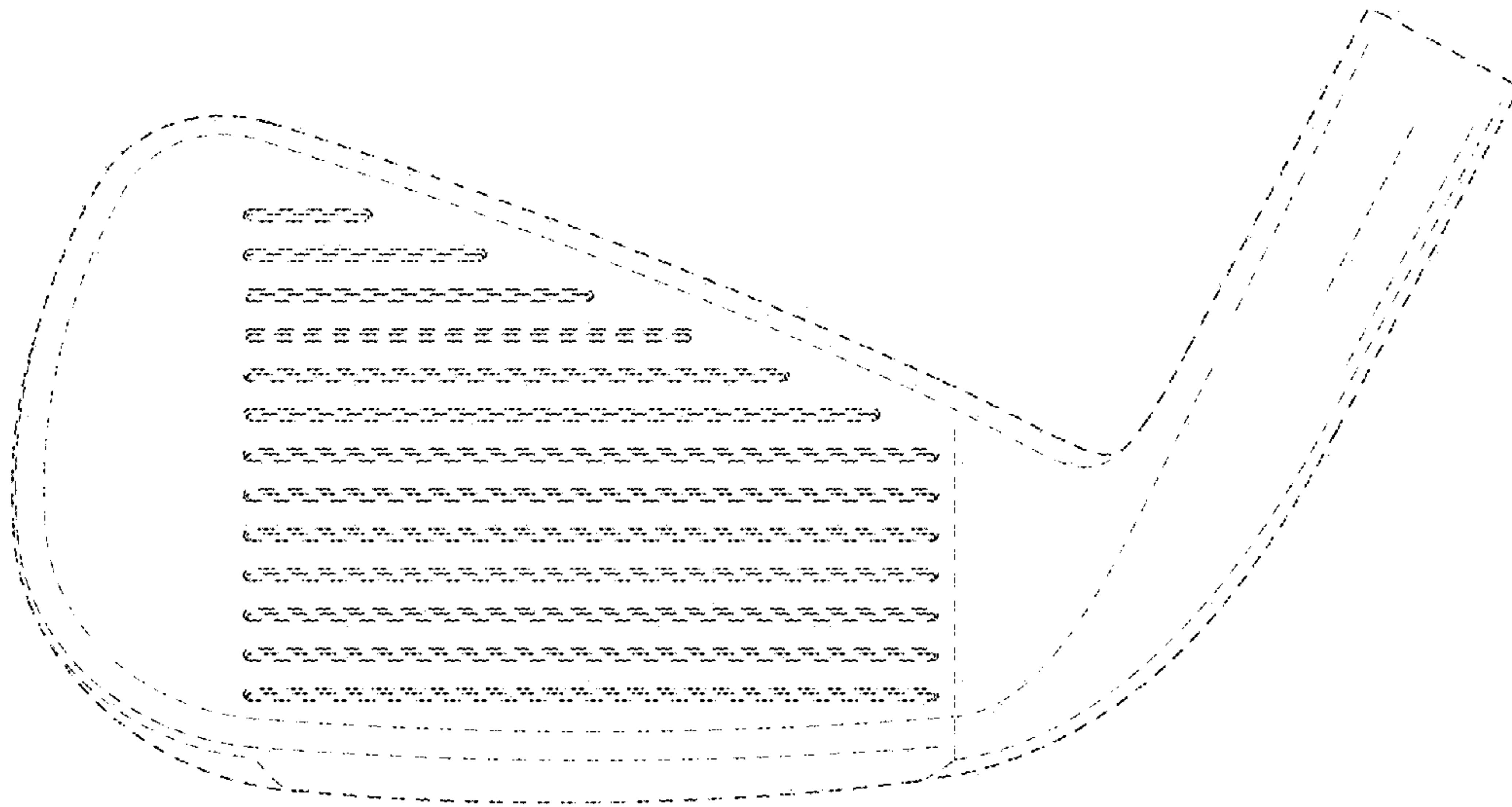
\* cited by examiner



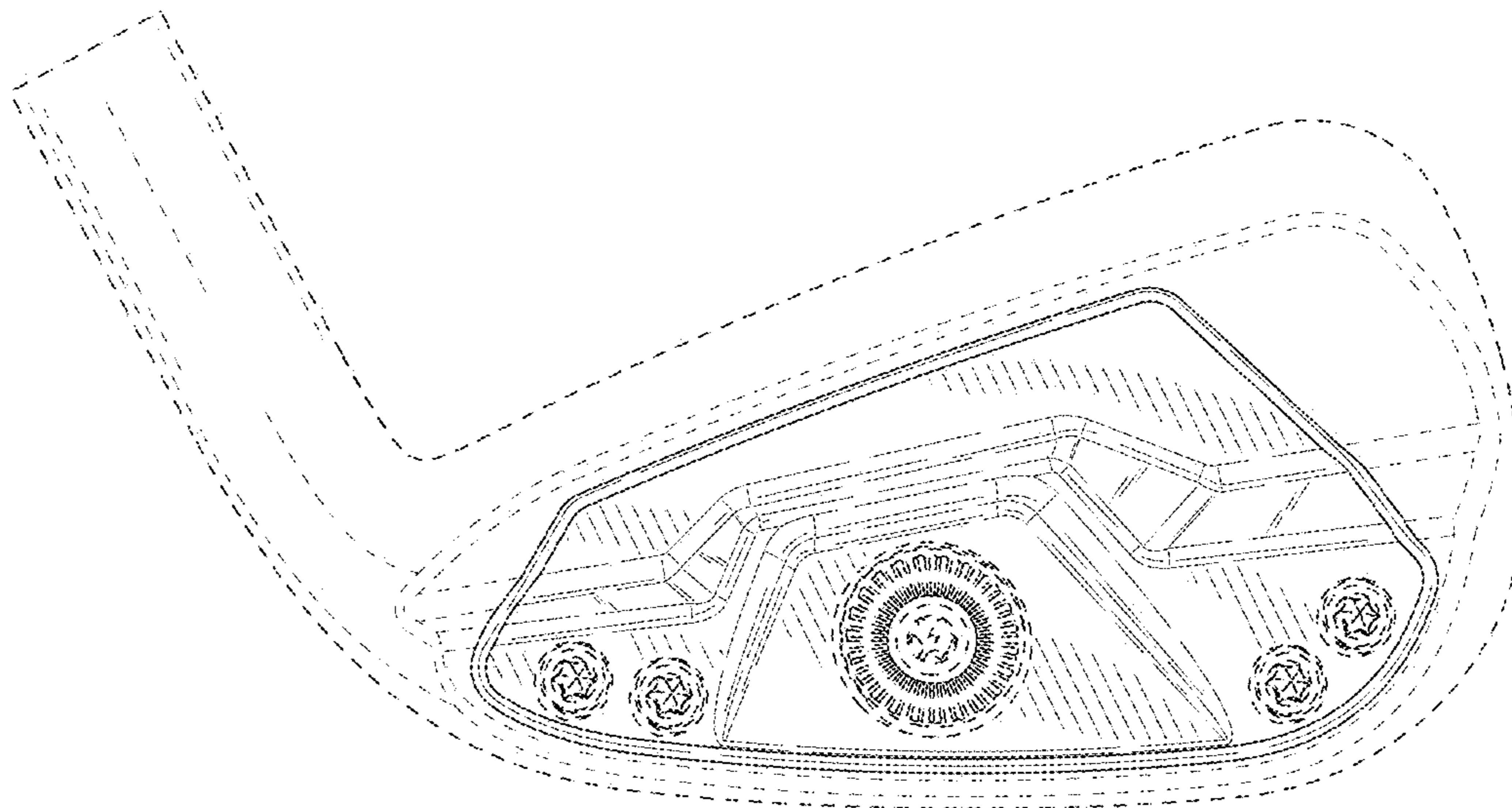
**FIG. 1**



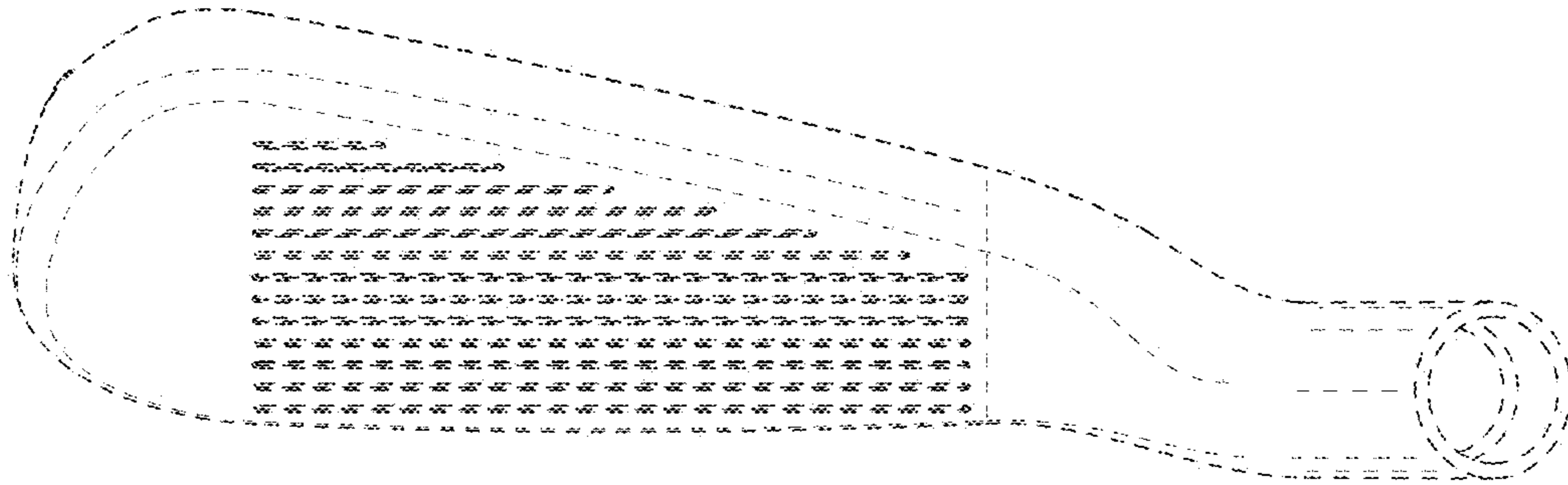
**FIG. 2**



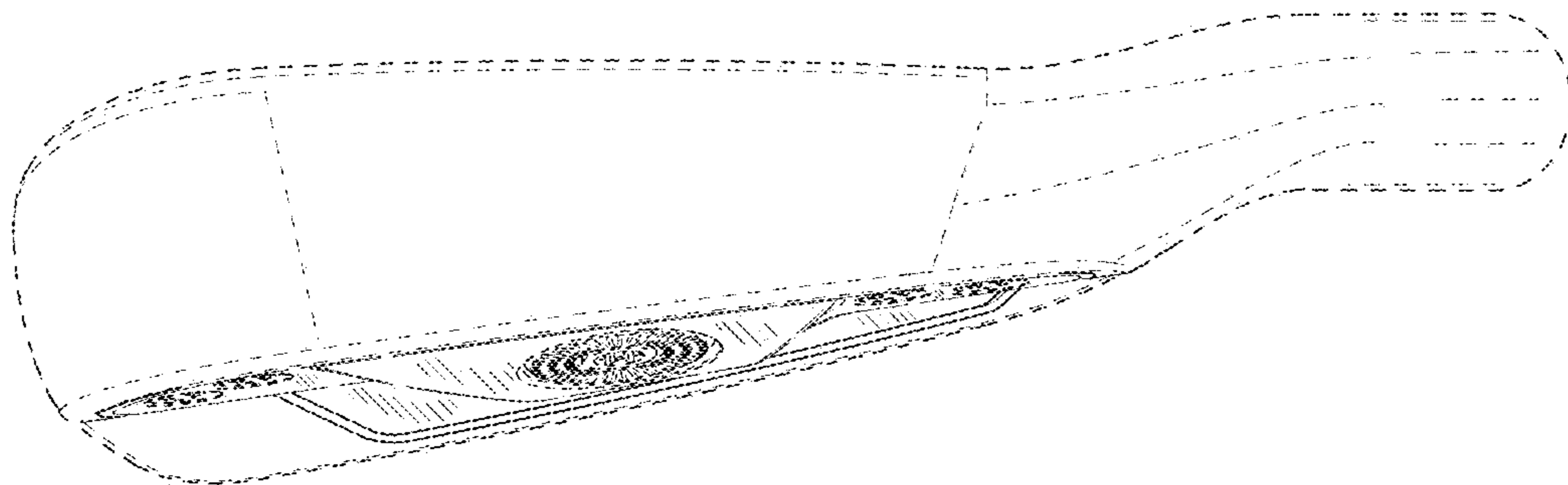
**FIG. 3**



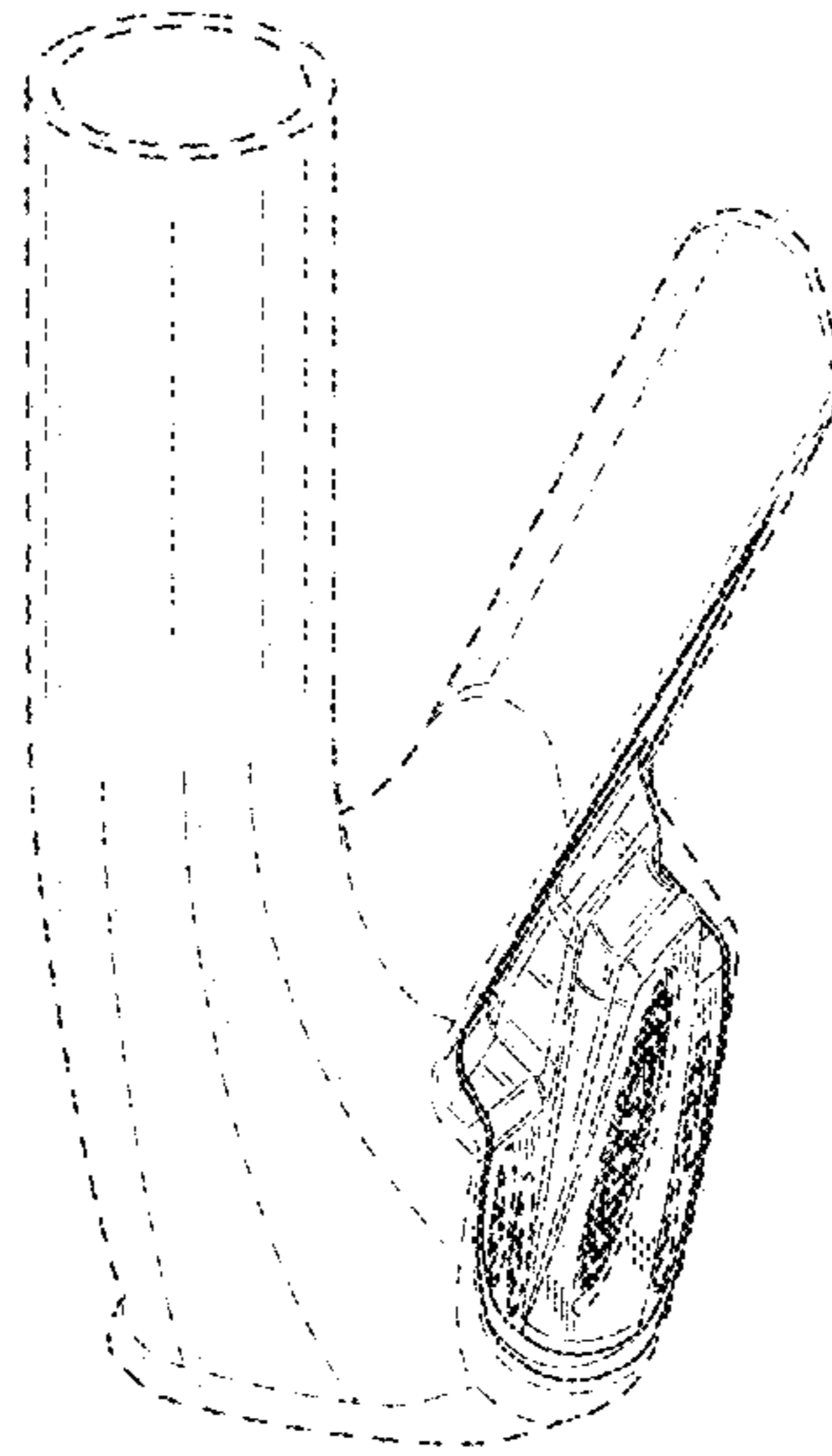
**FIG. 4**



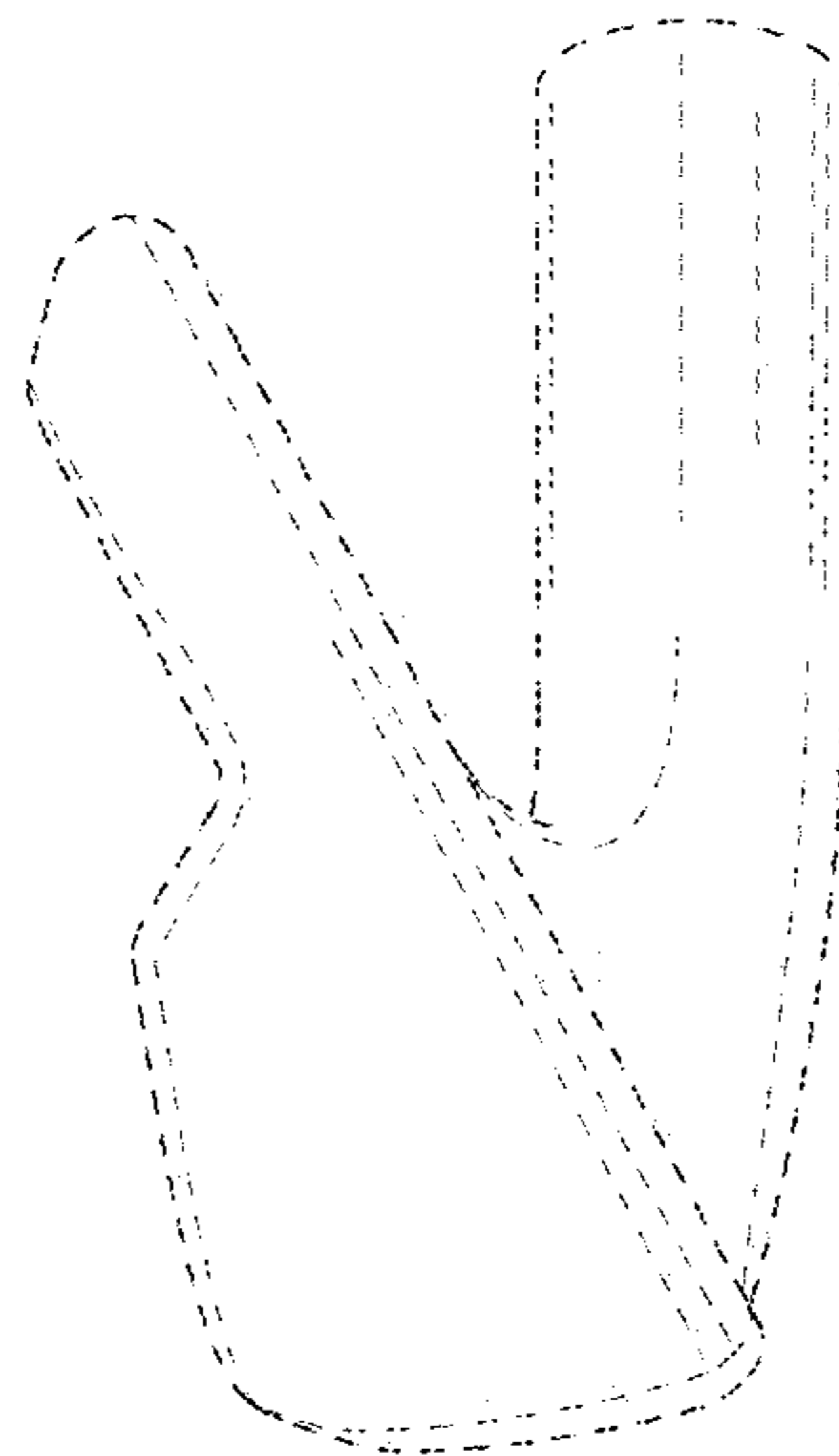
**FIG. 5**



**FIG. 6**



**FIG. 7**



**FIG. 8**