



US00D962366S

(12) **United States Design Patent**  
**Engler et al.**

(10) **Patent No.:** **US D962,366 S**  
(45) **Date of Patent:** **\*\* Aug. 30, 2022**

(54) **BALL GAME**

(71) Applicant: **P&P IMPORTS LLC**, Santa Ana, CA (US)

(72) Inventors: **Peter H Engler**, Newport Beach, CA (US); **Peter Tanoury**, Newport Beach, CA (US)

(\*\*) Term: **15 Years**

(21) Appl. No.: **29/682,980**

(22) Filed: **Mar. 8, 2019**

(51) **LOC (13) Cl.** ..... **21-02**

(52) **U.S. Cl.**  
USPC ..... **D21/702**

(58) **Field of Classification Search**

USPC ..... D21/302, 303, 305, 699, 701, 702, 705, D21/715, 781, 790, 796, 811, 814, 801, D21/803, 808; D3/304-306; D34/5, 6; D32/37; D6/331, 332, 349, 352, 390, D6/391, 677.5, 678.4, 680.3, 681.1, D6/681.3, 683, 692.4, 692.5, 695.4, D6/695.5, 708.16, 718, 552; D30/114-116; 473/197, 447, 460, 462, 473/476, 479, 485, 503; 273/317.3, 398, 273/400, 401, 407; 248/97-101, 150, 248/907; 211/182; 220/9.4  
CPC . A63B 67/002; A63B 2067/005; A63B 63/00; A63B 63/08; A63B 63/083; A63B 2225/62; A63B 71/0036; A63B 71/0045; A63B 71/023; B65F 1/1415; B65B 67/12; B65B 67/1238  
See application file for complete search history.

(56) **References Cited**

U.S. PATENT DOCUMENTS

130,051 A \* 7/1872 Hollidge ..... B65B 67/12 248/97  
1,372,147 A \* 3/1921 Klos ..... B65B 67/12 248/97  
D110,225 S \* 6/1938 Schutt ..... D21/702  
3,469,844 A \* 9/1969 Sindelar ..... A63B 63/083 273/350

(Continued)

FOREIGN PATENT DOCUMENTS

CN 304888309 \* 11/2018  
JP D1285170 \* 11/2006

OTHER PUBLICATIONS

Swimline Floating Basketball Goal shown on webpage: [https://www.amazon.com/Swimline-9165-Tall-Boy-Floating-Basketball/dp/B000MOHJOY/ref=cm\\_cr\\_ap\\_d\\_product\\_top?ie=UTF8](https://www.amazon.com/Swimline-9165-Tall-Boy-Floating-Basketball/dp/B000MOHJOY/ref=cm_cr_ap_d_product_top?ie=UTF8). [Accessed on Jun. 22, 2020] (Year: 2020).\*

(Continued)

*Primary Examiner* — Catherine A Tuttle

(74) *Attorney, Agent, or Firm* — Siamak S. Hefazi; Casey H. Kempner

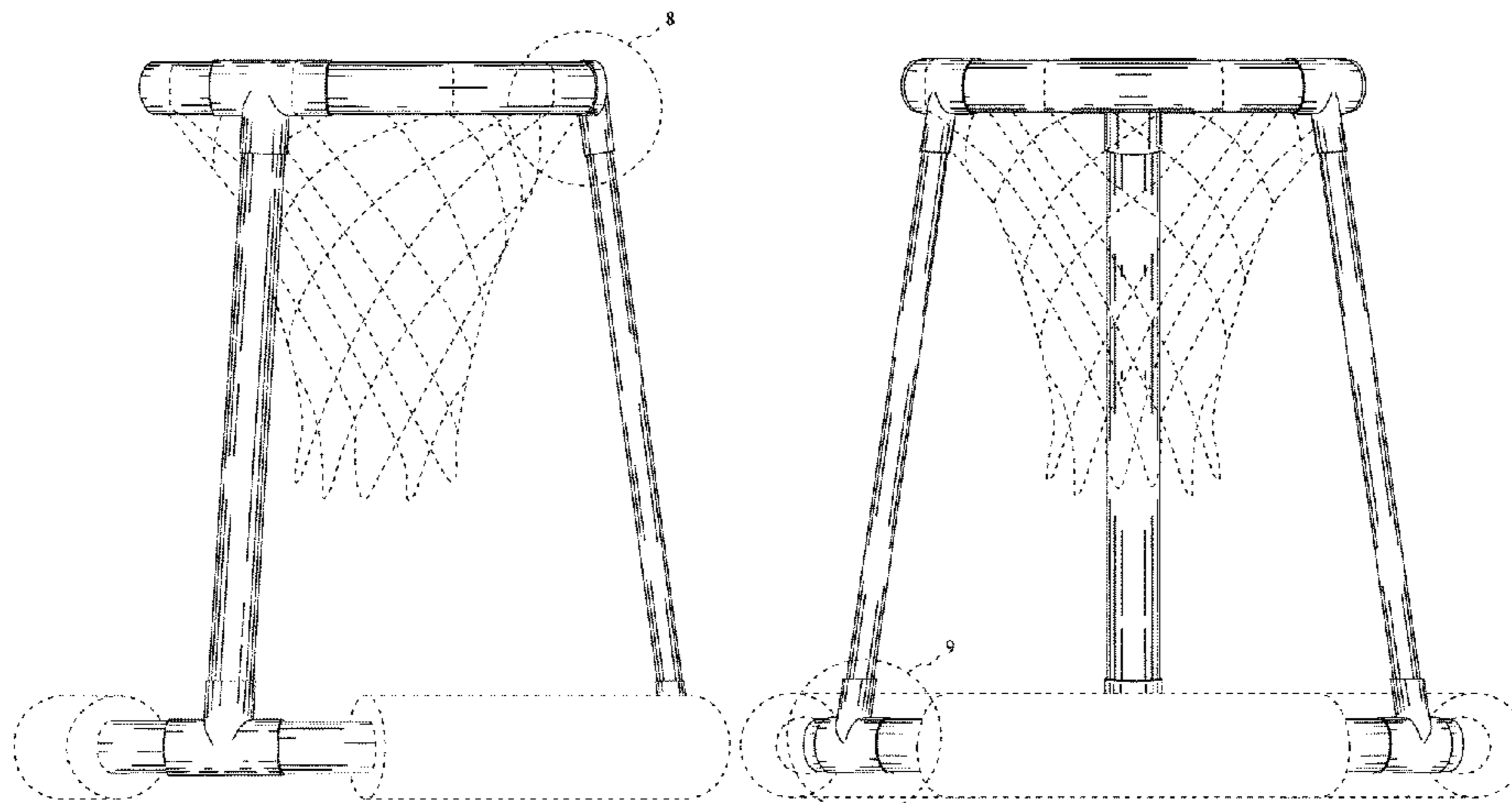
(57) **CLAIM**

The ornamental design for a ball game, as shown and described.

**DESCRIPTION**

FIG. 1 is a perspective view of the ball game showing our new design;  
FIG. 2 is a another perspective view thereof;  
FIG. 3 is a bottom plan view thereof;  
FIG. 4 is a top plan view thereof; and  
FIG. 5 is a left-side elevational view thereof;  
FIG. 6 is a front elevational view thereof;  
FIG. 7 is back elevational view thereof;  
FIG. 8 is an enlargement of area 8 in FIG. 5;  
FIG. 9 is an enlargement of area 9 in FIG. 6; and,  
FIG. 10 is an enlargement of area 10 in FIG. 7.  
The right-side elevational view of the ball game is a mirror image of the left-side elevational view in FIG. 5.  
The dashed broken lines depict the portions of the ball game that form no part of the claimed design.

**1 Claim, 10 Drawing Sheets**



(56)

References Cited

U.S. PATENT DOCUMENTS

3,656,749 A \* 4/1972 Reyes ..... A63B 63/08  
473/485  
3,771,752 A \* 11/1973 Meeh ..... B65B 67/12  
248/98  
4,157,801 A \* 6/1979 Elmer ..... B65B 67/12  
248/101  
D277,884 S \* 3/1985 Offutt ..... D21/702  
4,595,199 A \* 6/1986 Offutt ..... A63B 63/083  
473/435  
5,524,881 A \* 6/1996 Edward ..... A63B 63/08  
273/400  
7,284,732 B1 \* 10/2007 Lopa ..... B65B 67/1233  
248/101  
D812,402 S \* 3/2018 Langner ..... D7/300  
D859,857 S \* 9/2019 Chai ..... D6/331  
D882,201 S \* 4/2020 Low ..... D34/6  
2004/0102260 A1 \* 5/2004 Chia ..... A63B 67/06  
473/472  
2004/0214666 A1 \* 10/2004 Dilling ..... A63B 63/00  
473/470  
2005/0197197 A1 \* 9/2005 Scott ..... A63B 63/08  
473/173  
2007/0187897 A1 \* 8/2007 Dilling ..... A63B 63/00  
273/407  
2019/0262685 A1 \* 8/2019 Spelman ..... A63B 63/08

OTHER PUBLICATIONS

GoSports Splash Hoop 360 Floating Basketball Game shown on webpage: <http://web.archive.org/web/20180114145206/http://poolurchin.com/floating-inflatable-pool-basketball-hoops/WebArchive> Display date: Jan. 14, 2018 [Accessed Jun. 22, 2020] (Year: 2018).  
Swim line Tall Boy Floating Basketball reviews shown on webpage: [https://www.amazon.com/Swimline-9165-Tall-Boy-Floating-Basketball/product-reviews/B000MOHJOY/ref=cm\\_cr\\_dp\\_d\\_show\\_all\\_btm?ie=UTF8&reviewerType=all\\_reviews](https://www.amazon.com/Swimline-9165-Tall-Boy-Floating-Basketball/product-reviews/B000MOHJOY/ref=cm_cr_dp_d_show_all_btm?ie=UTF8&reviewerType=all_reviews) [Accessed Jun. 22, 2020] (Year: 2020).  
Swimline—Super Hoops Floating Basketball Game, <https://www.amazon.com/Swimline-Super-Hoops-Floating-Basketball/dp/B000MOHJN0>, Swimline Corp HQ 191 Rodeo Drive, Edgewood, NY 11717, Published at least as early as: Mar. 7, 2019.  
Coop—Hydro Spring Hoops, <https://dks.scene7.com/is/image/GolfGalaxy/18SWWUCPHYDRSPRNGSWE?wid=500&fmt=jpg>, United States, Published at least as early as: Mar. 7, 2019.  
Poolmaster—[https://target.scene7.com/is/image/Target/GUEST\\_82eb40f8-c61b-44aa-a28f-3b82af805a67?wid=1400&fmt=webp](https://target.scene7.com/is/image/Target/GUEST_82eb40f8-c61b-44aa-a28f-3b82af805a67?wid=1400&fmt=webp), Sacramento, CA, 95834, Published at least as early as: Mar. 7, 2019.

\* cited by examiner

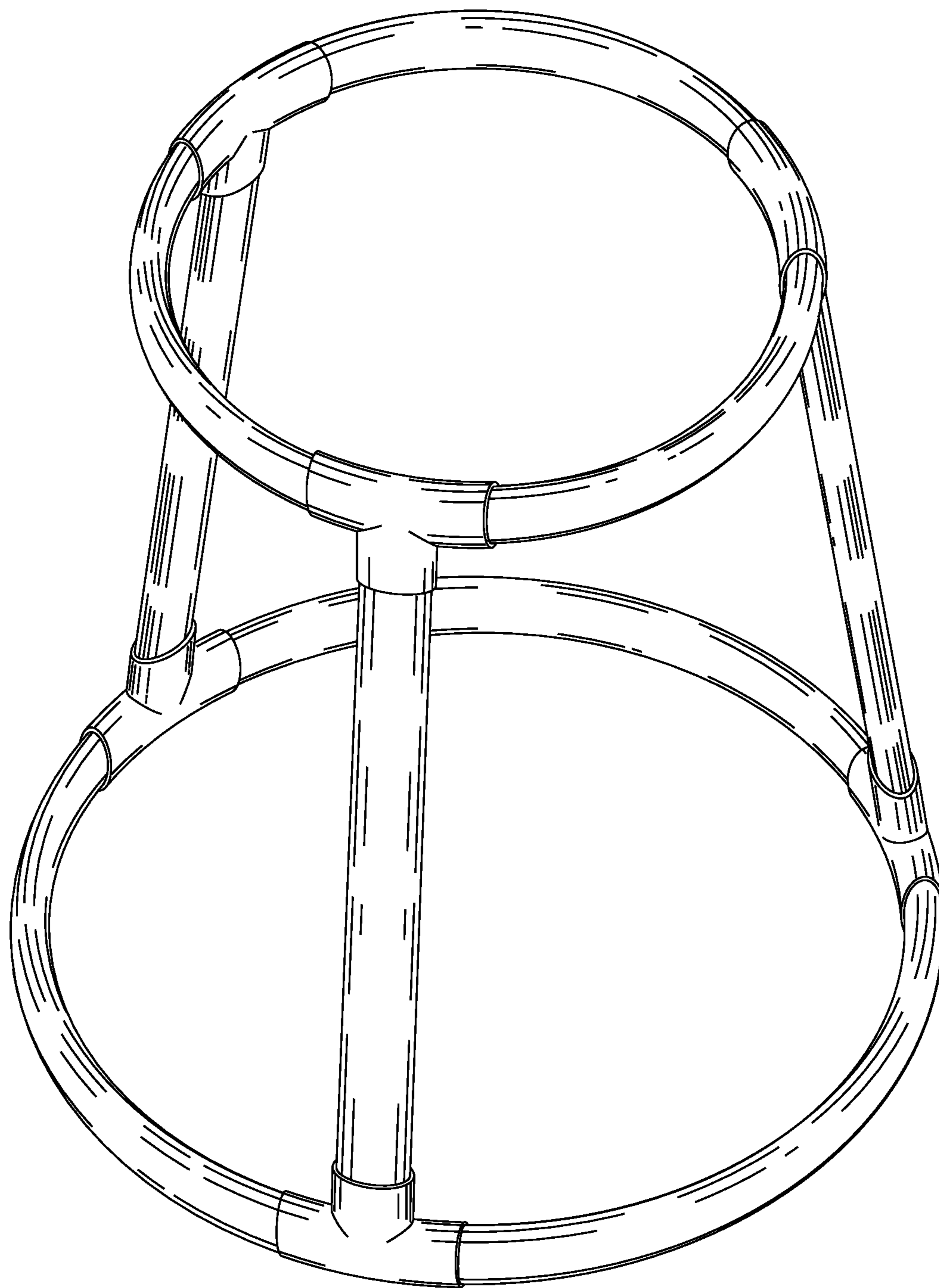


FIG. 1

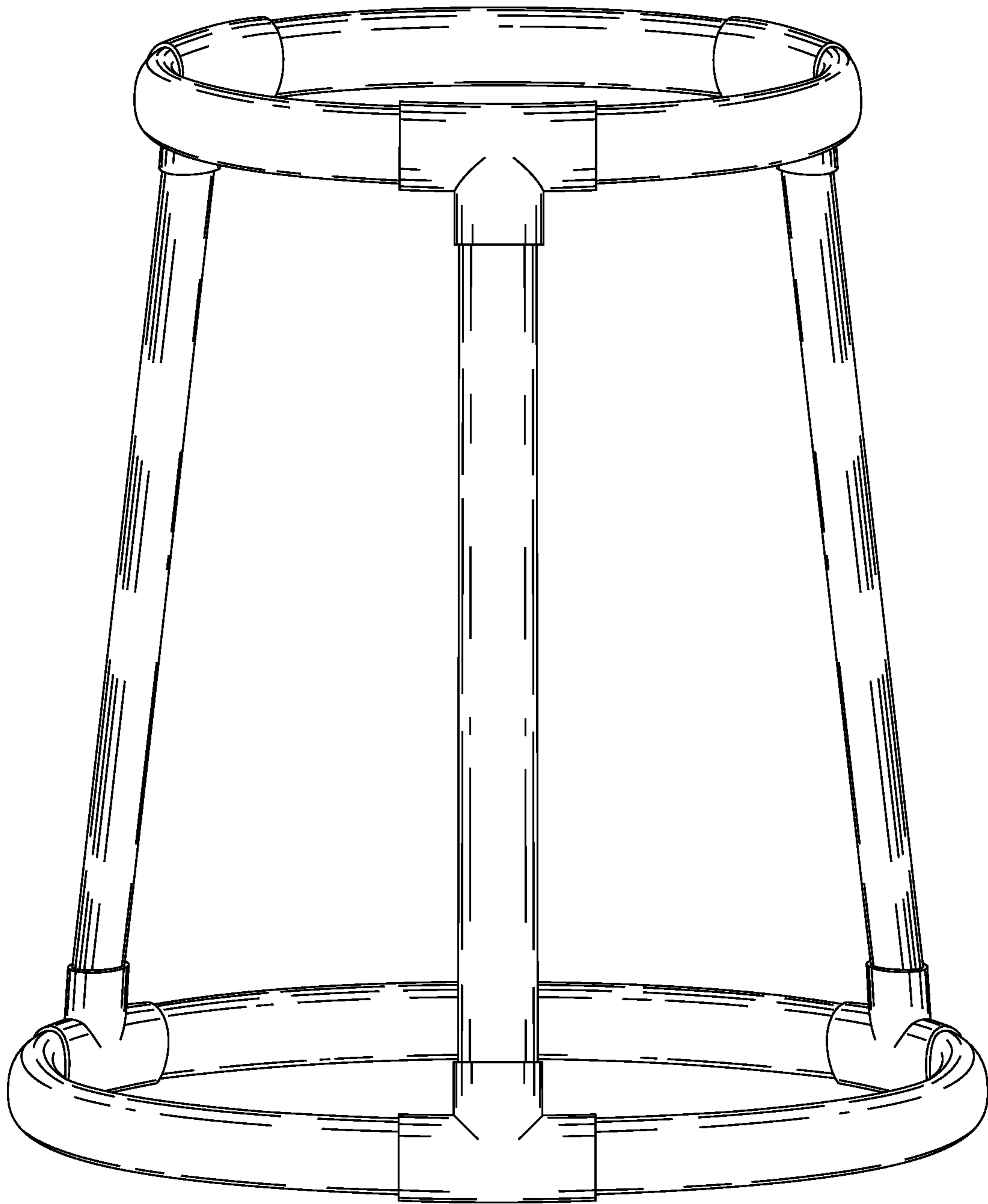


FIG. 2

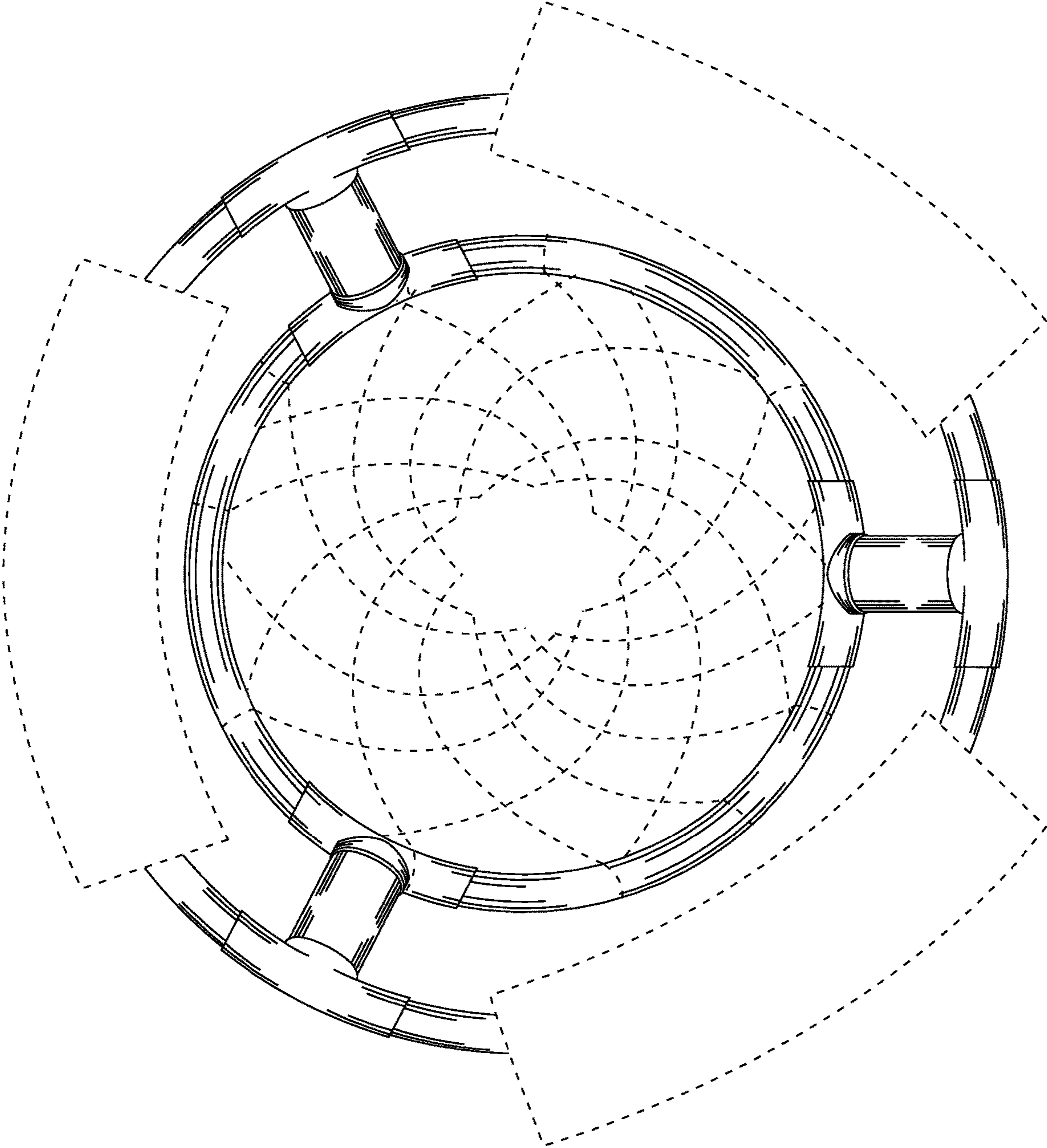


FIG. 3

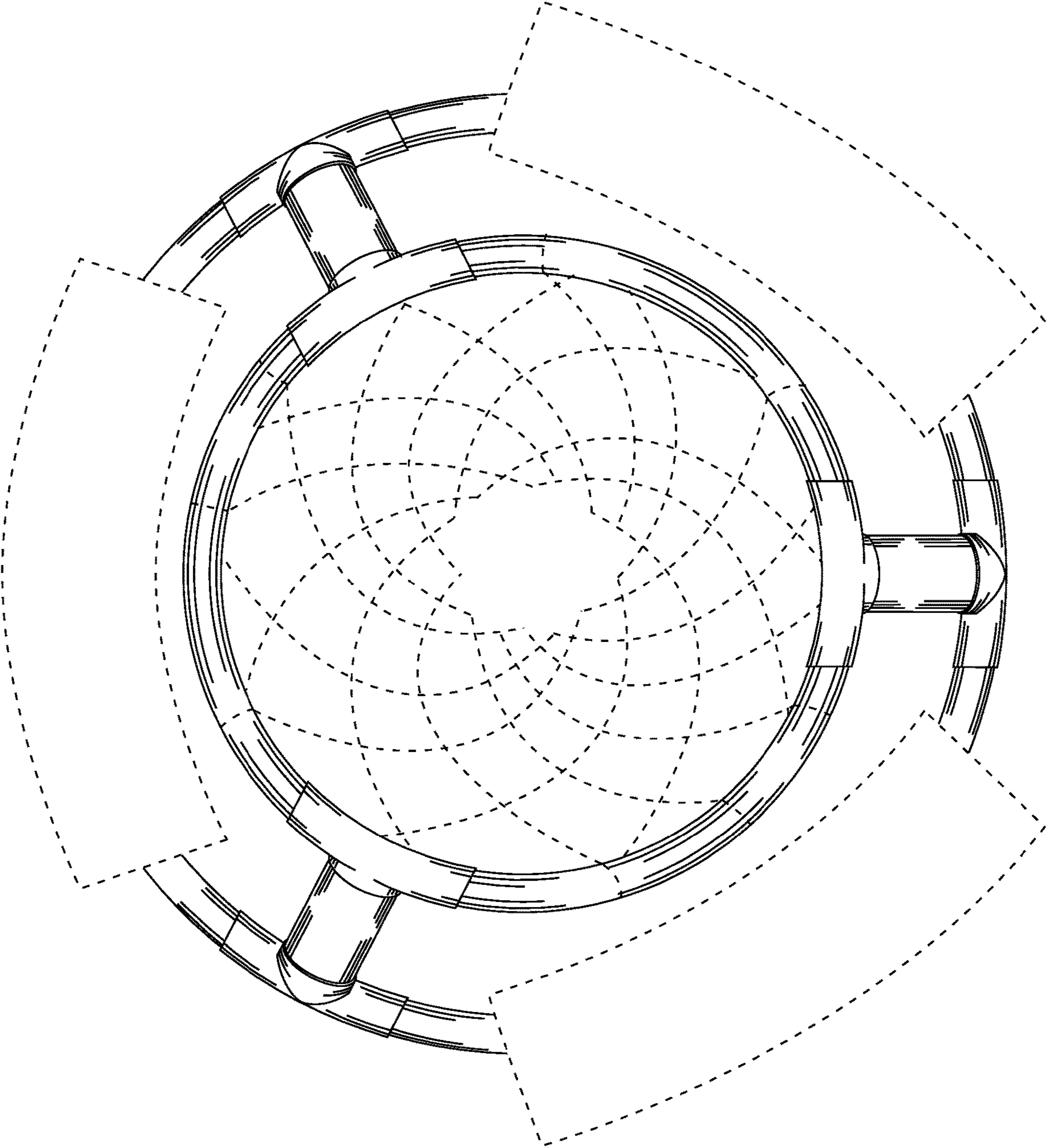


FIG. 4

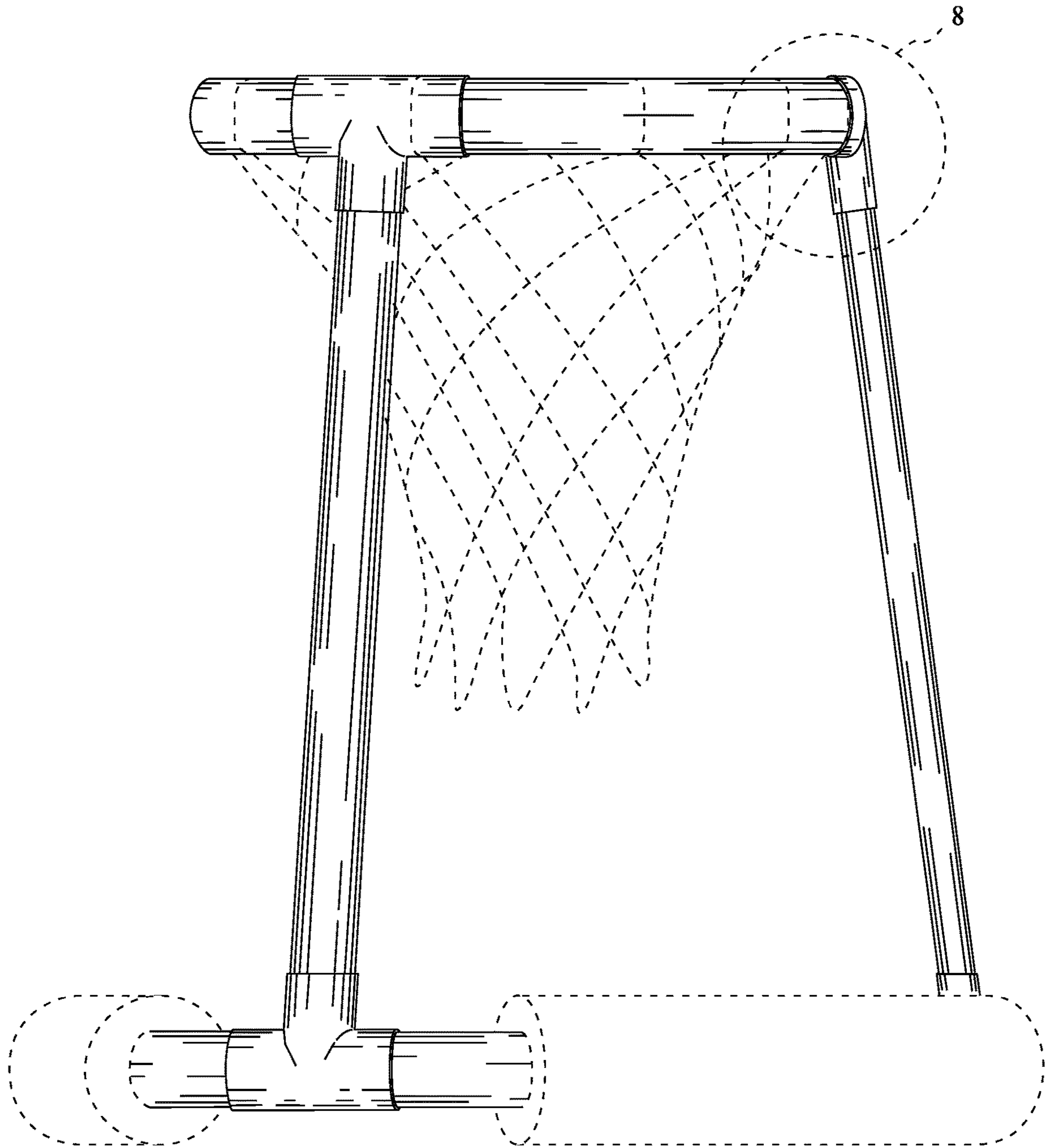


FIG. 5

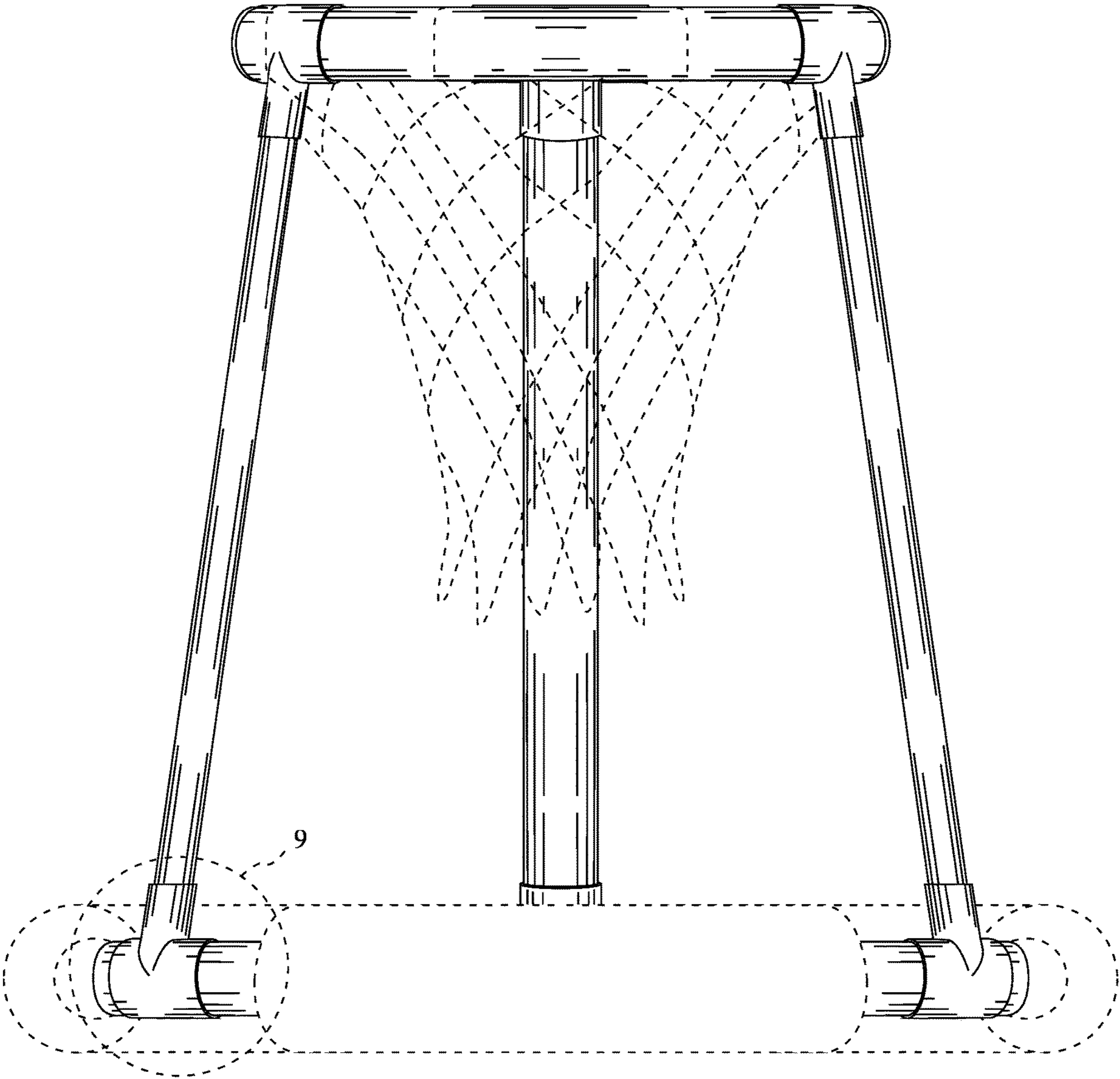


FIG. 6



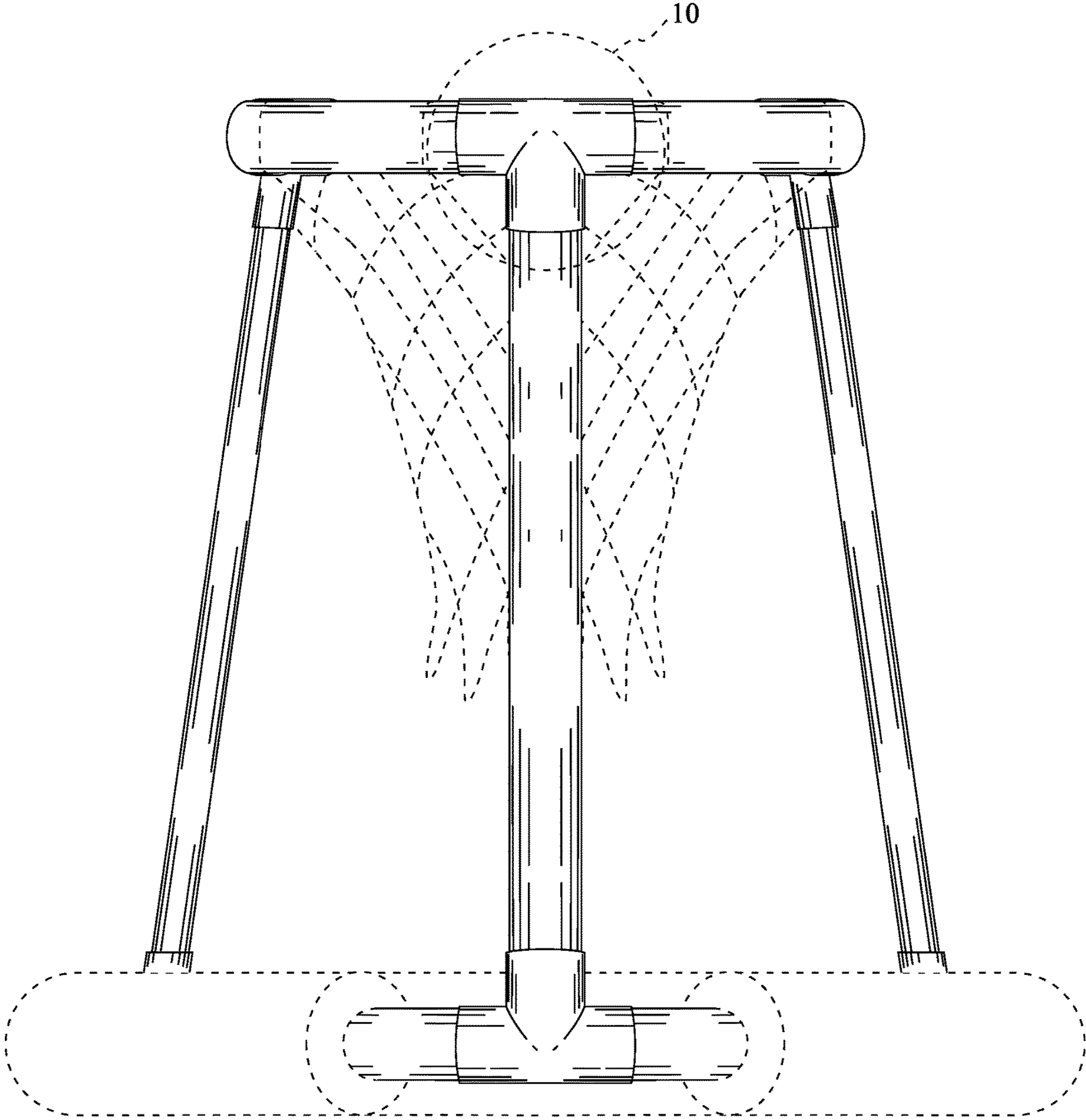


FIG. 7

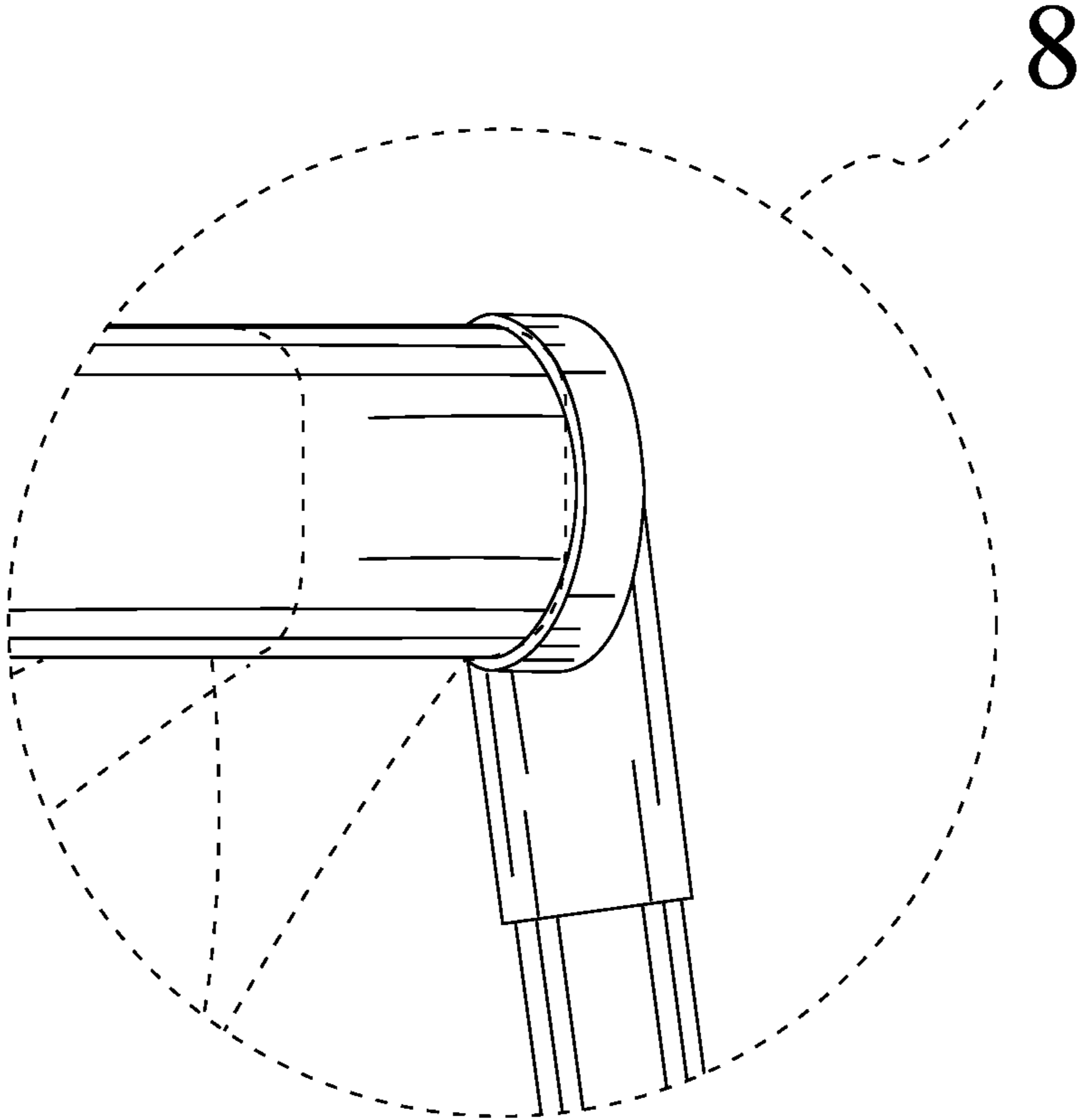


FIG. 8

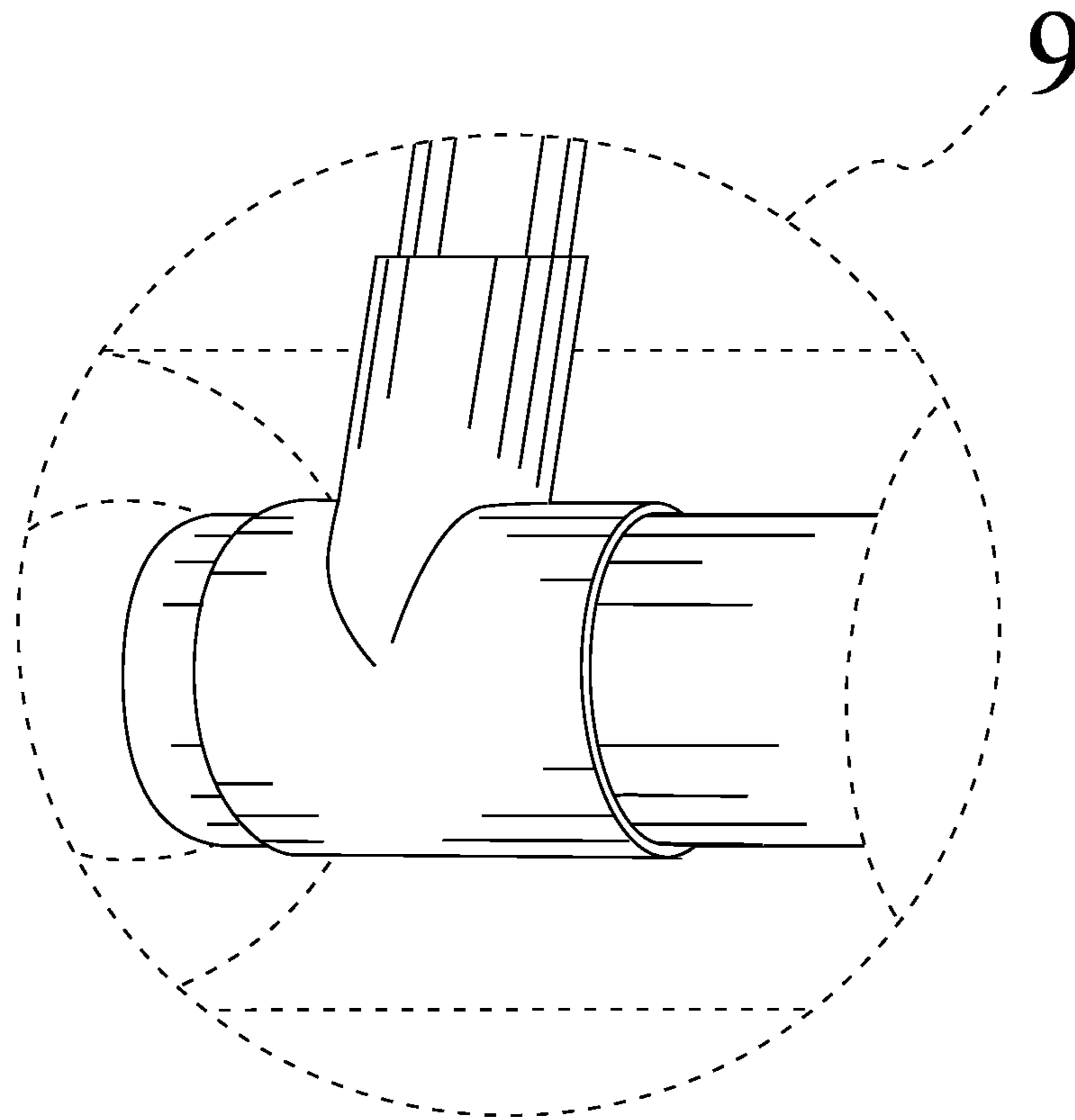


FIG. 9

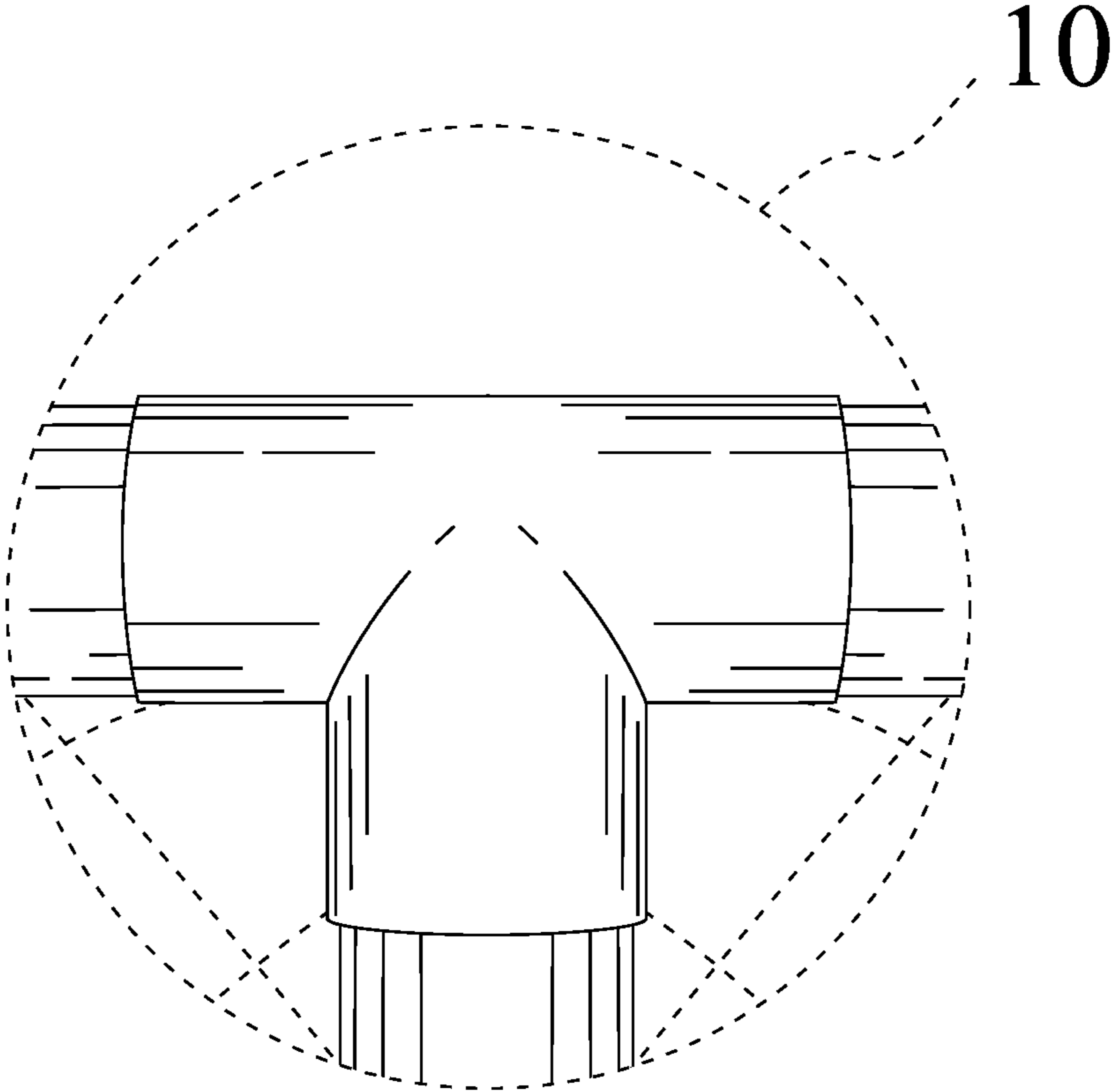


FIG. 10