



US00D962363S

(12) **United States Design Patent** (10) **Patent No.:** **US D962,363 S**
Weng (45) **Date of Patent:** **** Aug. 30, 2022**

(54) **DUMBBELL WITH RACK**
(71) Applicant: **ZHEJIANG QILI HEALTH TECHNOLOGY LTD.**, Jinhua (CN)
(72) Inventor: **Gaowang Weng**, Yongkang (CN)
(73) Assignee: **ZHEJIANG QILI HEALTH TECHNOLOGY LTD.**, Jinhua (CN)

11,167,167 B1 * 11/2021 Weng A63B 21/0726
11,285,354 B1 * 3/2022 Tseng A63B 21/0726
2020/0330813 A1 * 10/2020 Liu A63B 21/075
2020/0376320 A1 * 12/2020 Wang A63B 21/0726
2022/0047908 A1 * 2/2022 Weng A63B 21/0726

(**) Term: **15 Years**
(21) Appl. No.: **29/755,365**
(22) Filed: **Oct. 20, 2020**

FOREIGN PATENT DOCUMENTS

CN 304118690 * 4/2017

(30) **Foreign Application Priority Data**

Sep. 15, 2020 (CN) 202030547785.0

(51) **LOC (13) Cl.** **21-02**
(52) **U.S. Cl.**
USPC **D21/681**

(58) **Field of Classification Search**
USPC D6/552; D21/662, 667-682, 685, 686, D21/692, 694
CPC A63B 2220/12; A63B 21/062; A63B 2220/13; A63B 69/3632; A63B 21/075; A63B 21/063; A63B 21/0628; A63B 21/0724
See application file for complete search history.

OTHER PUBLICATIONS

AOTOB 25/55 lbs Adjustable Dumbbells, first available Sep. 28, 2021, amazon.com [online], site visited [Mar. 29, 2022], Available from internet URL:https://amzn.to/3DkfTtx (Year: 2021).*

* cited by examiner

Primary Examiner — Garth Rademaker
Assistant Examiner — Salamah Jordan
(74) *Attorney, Agent, or Firm* — Dragon Sun Law Firm, PC; Jinggao Li, Esq.; Nathaniel Perkins

(56) **References Cited**

U.S. PATENT DOCUMENTS

D528,173 S * 9/2006 Flick D6/552
D610,636 S * 2/2010 Golesh D21/681
D639,358 S * 6/2011 Rauwerdink D21/681
D639,359 S * 6/2011 Rauwerdink D6/552
D643,481 S * 8/2011 Rauwerdink D21/681
D737,907 S * 9/2015 Flick D21/681
D753,247 S * 4/2016 Flick D21/681
D799,980 S * 10/2017 Michan Chavez D9/600

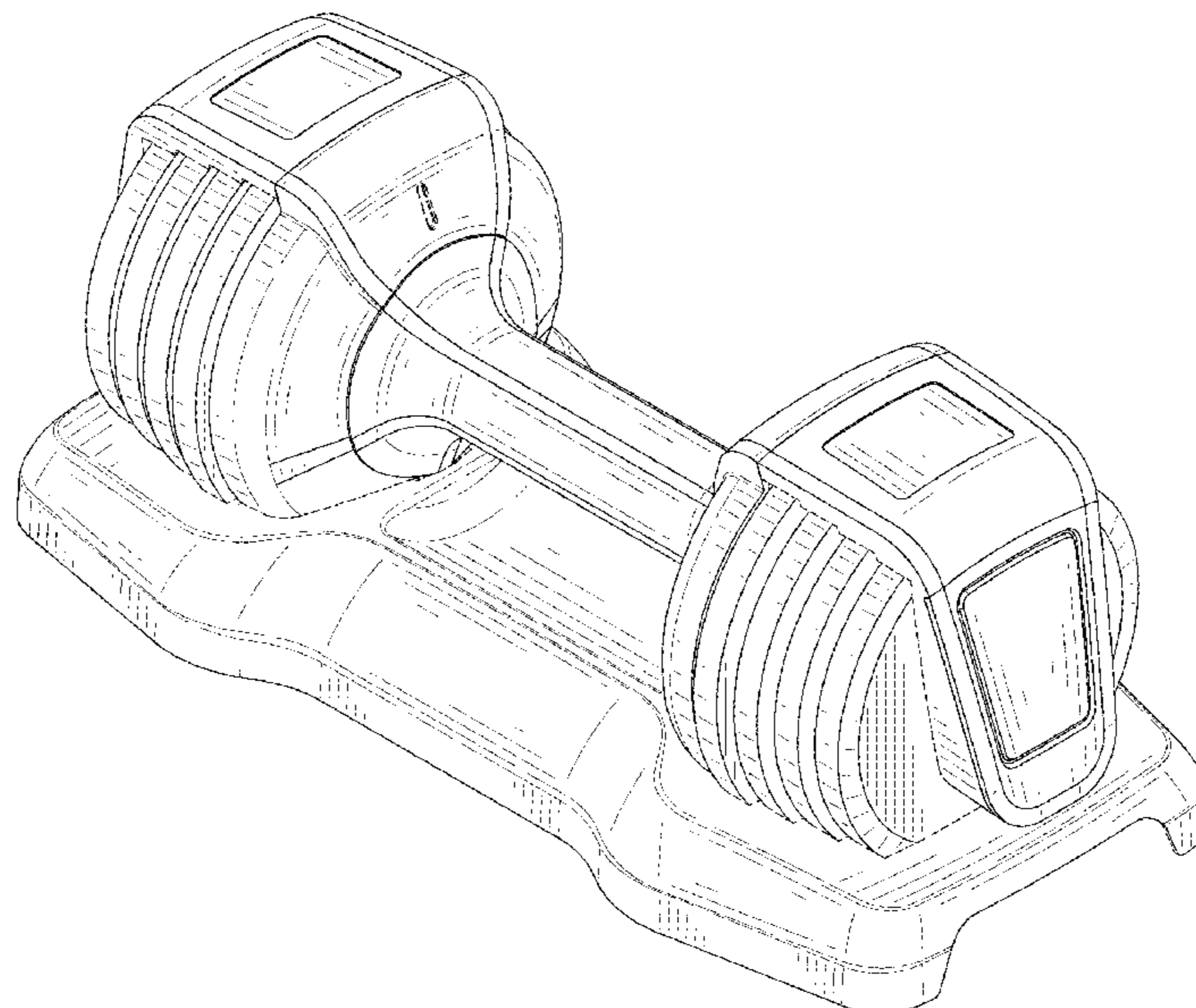
(57) **CLAIM**

The ornamental design for a dumbbell with rack, as shown and described.

DESCRIPTION

FIG. 1 is a perspective view of a dumbbell with rack showing my new design;
FIG. 2 is a front view thereof;
FIG. 3 is a rear view thereof;
FIG. 4 is a left side view thereof;
FIG. 5 is a right side view thereof;
FIG. 6 is a top plan view thereof;
FIG. 7 is a bottom plan view thereof; and,
FIG. 8 is an exploded view thereof.
The broken lines in the figures depict portions of the dumbbell with rack that form no part of the claimed design.

1 Claim, 8 Drawing Sheets



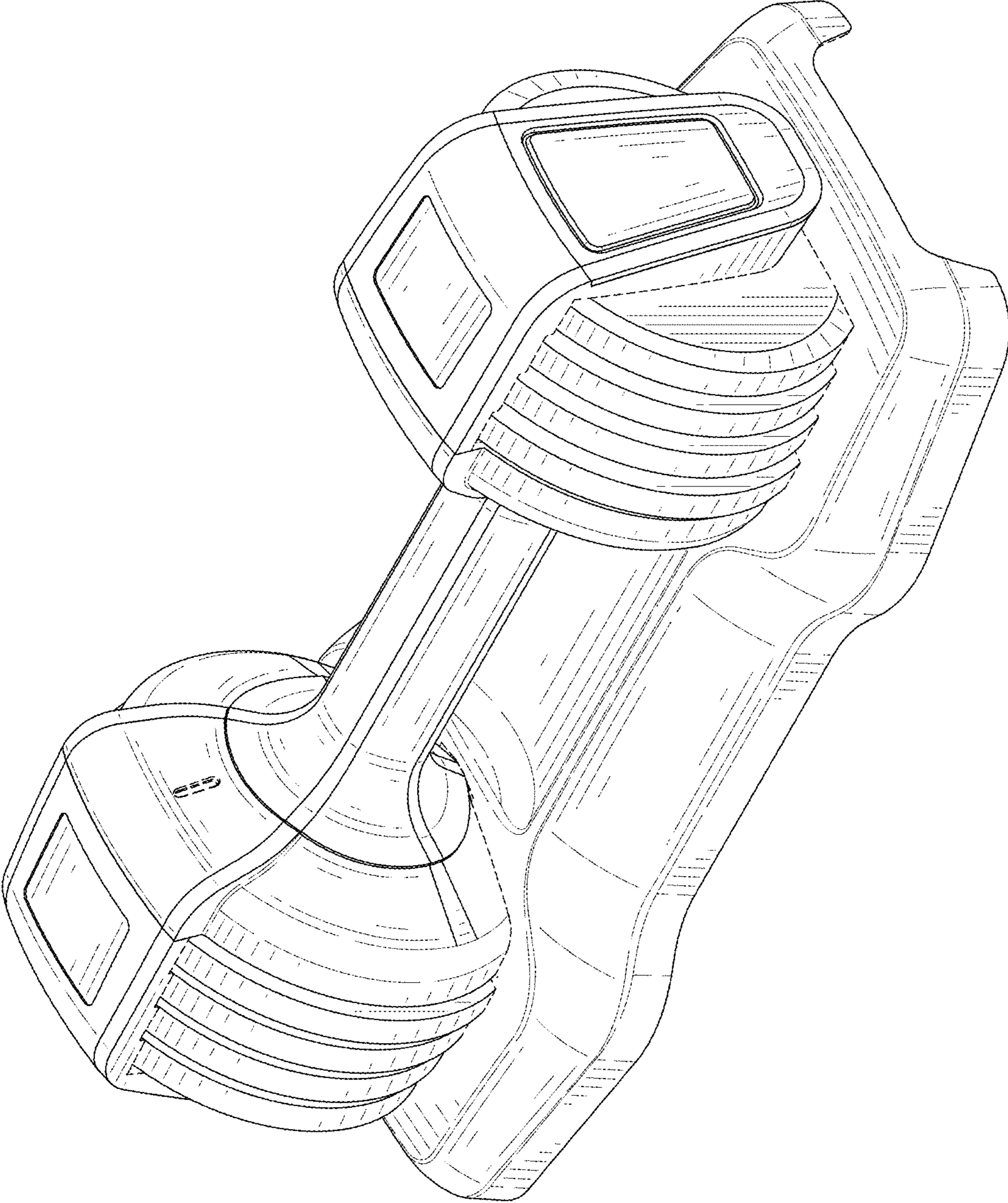


FIG. 1

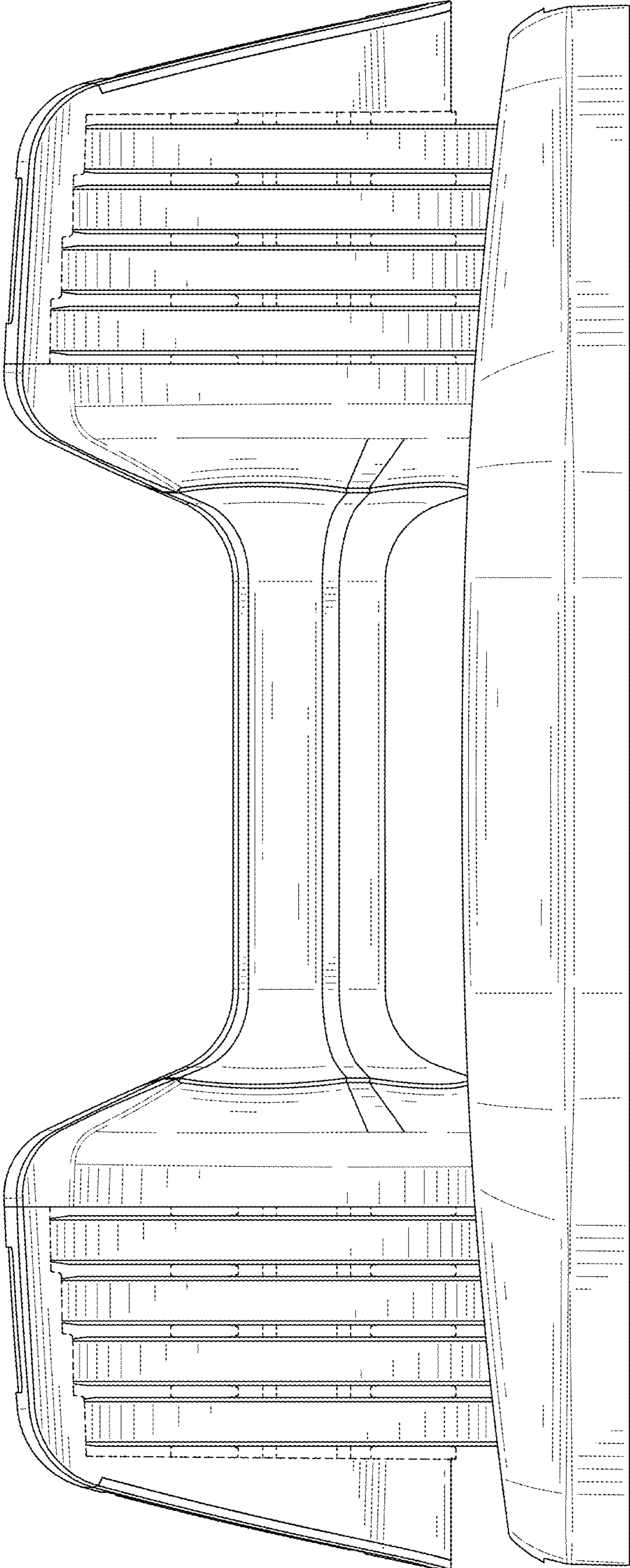


FIG. 2

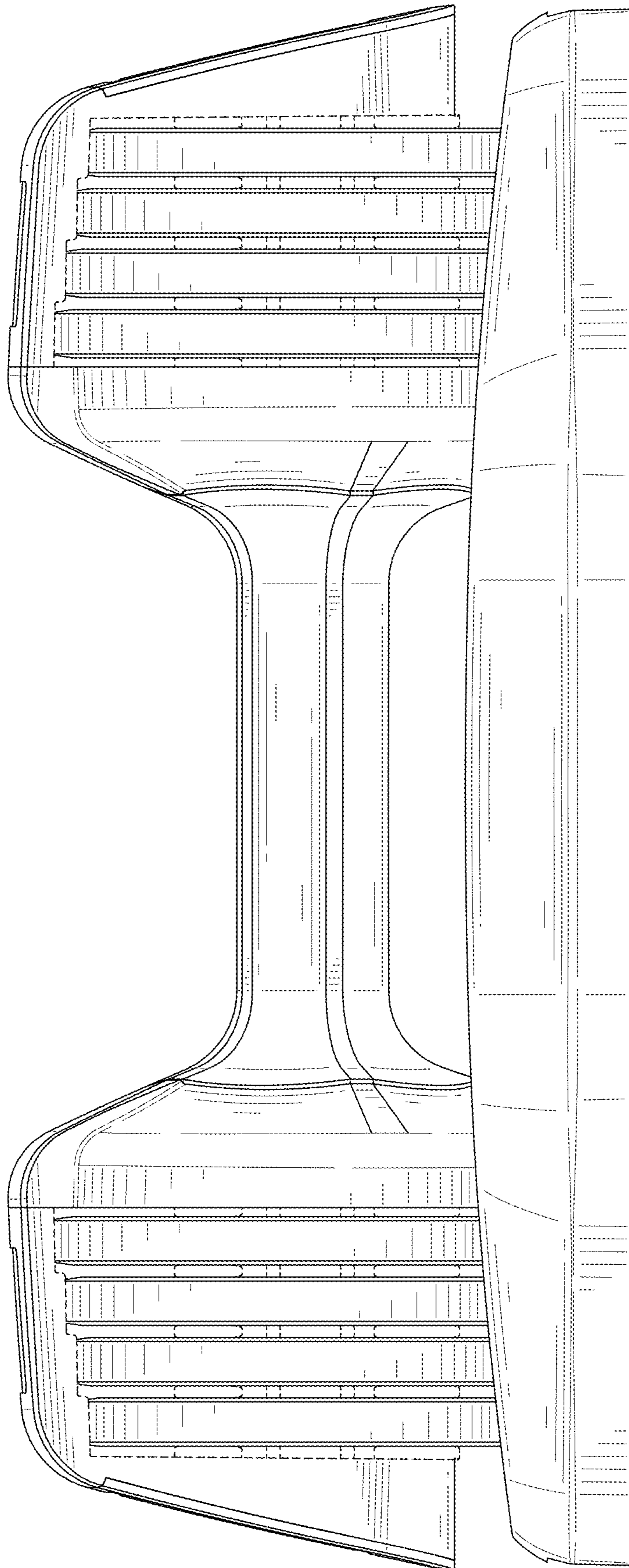


FIG. 3

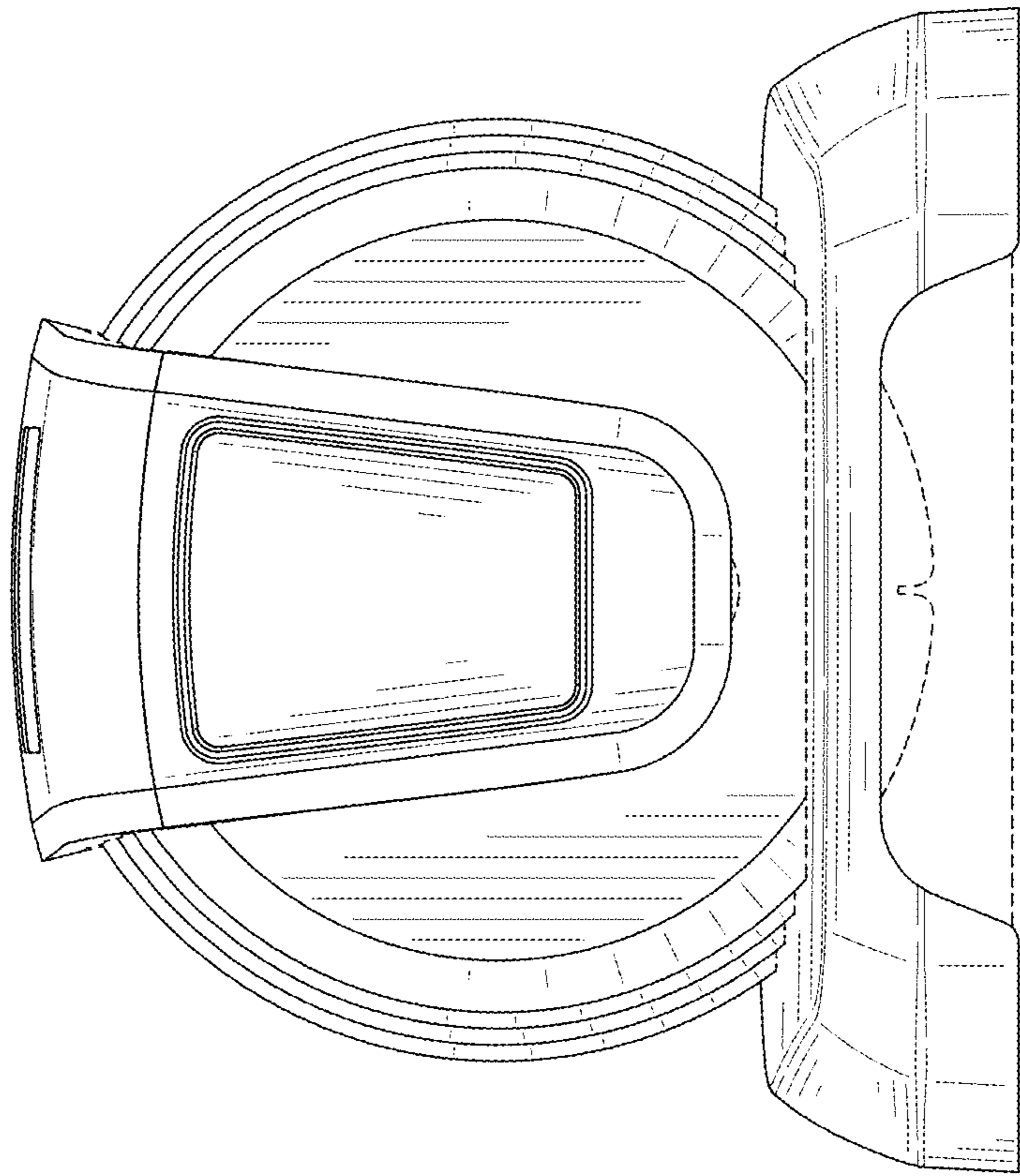


FIG. 4

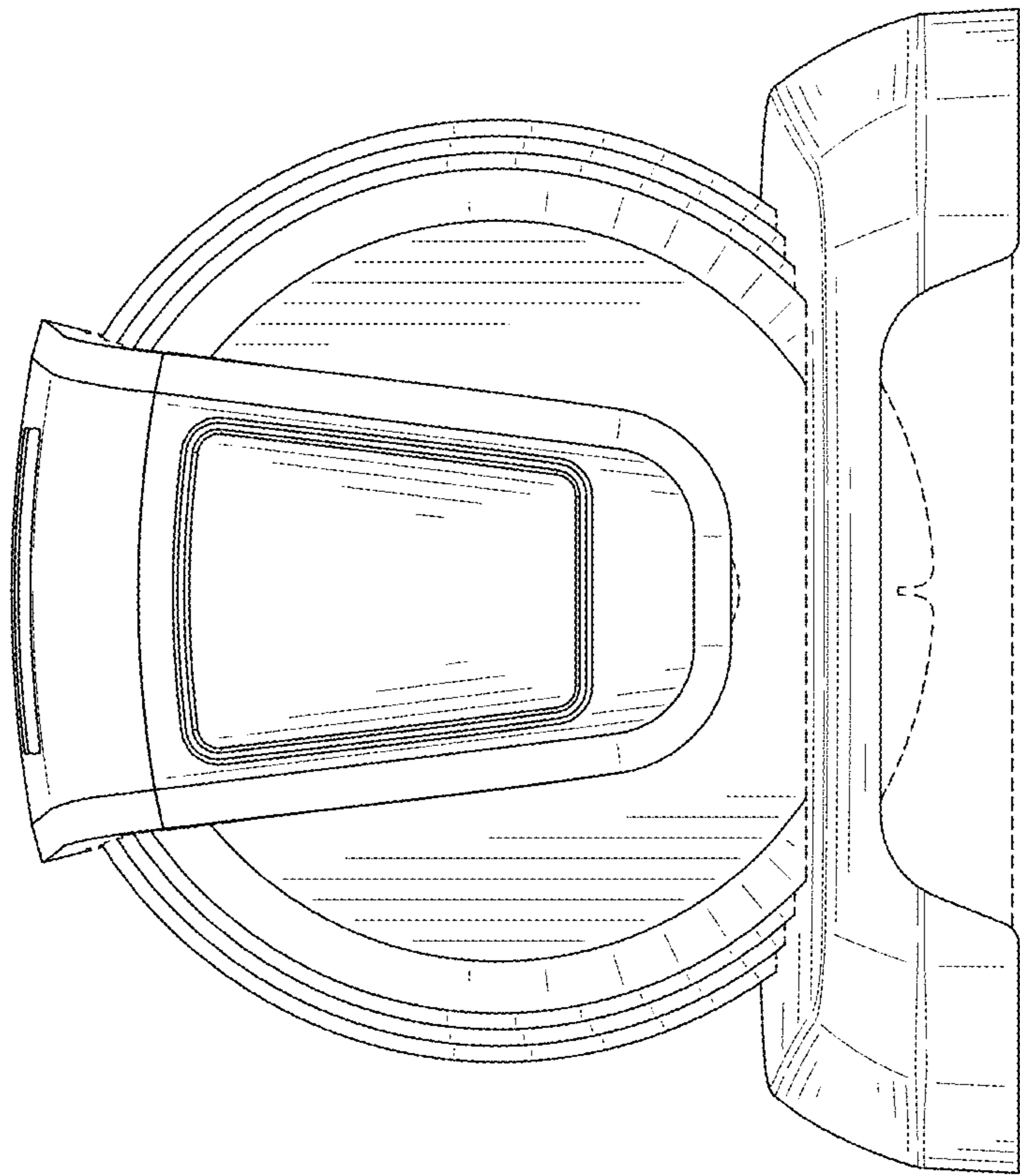


FIG. 5

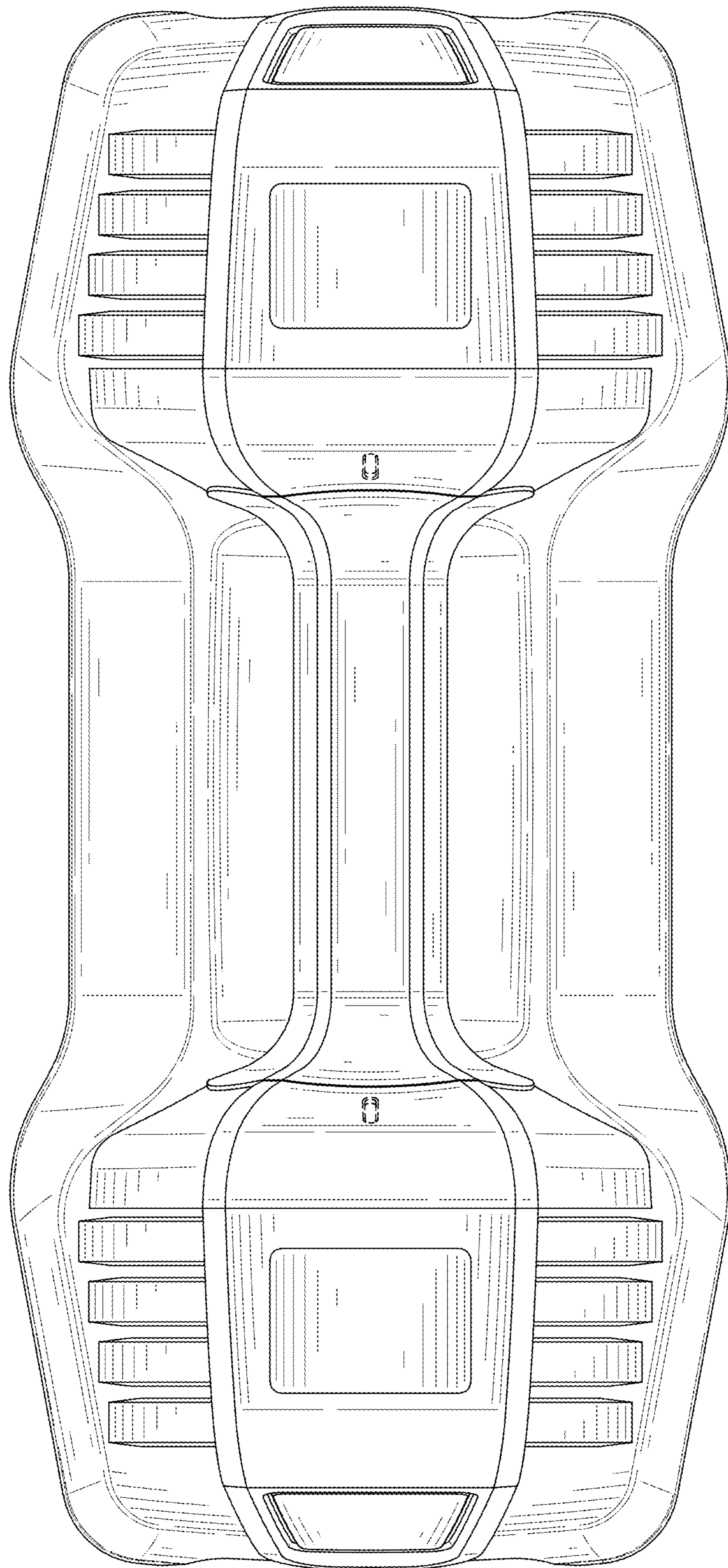


FIG. 6

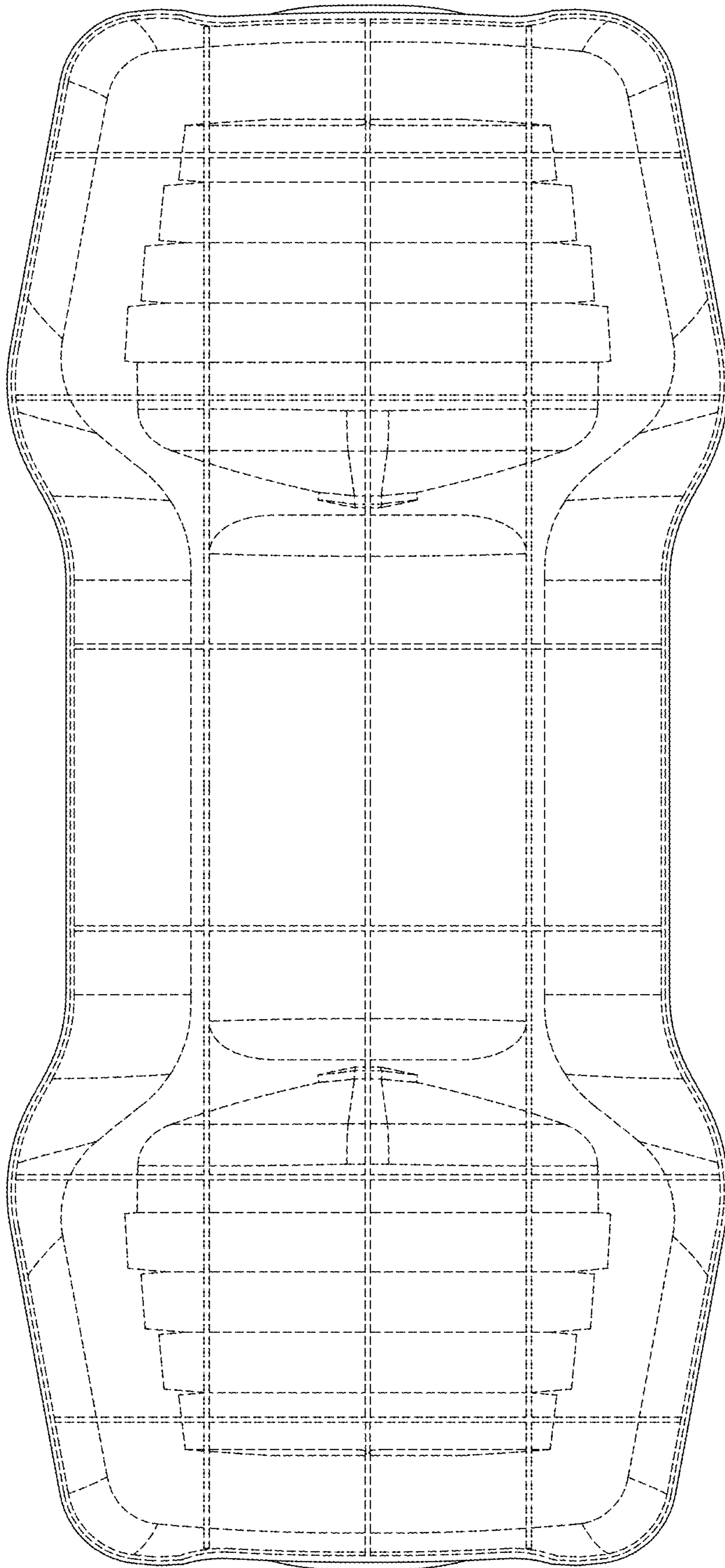


FIG. 7

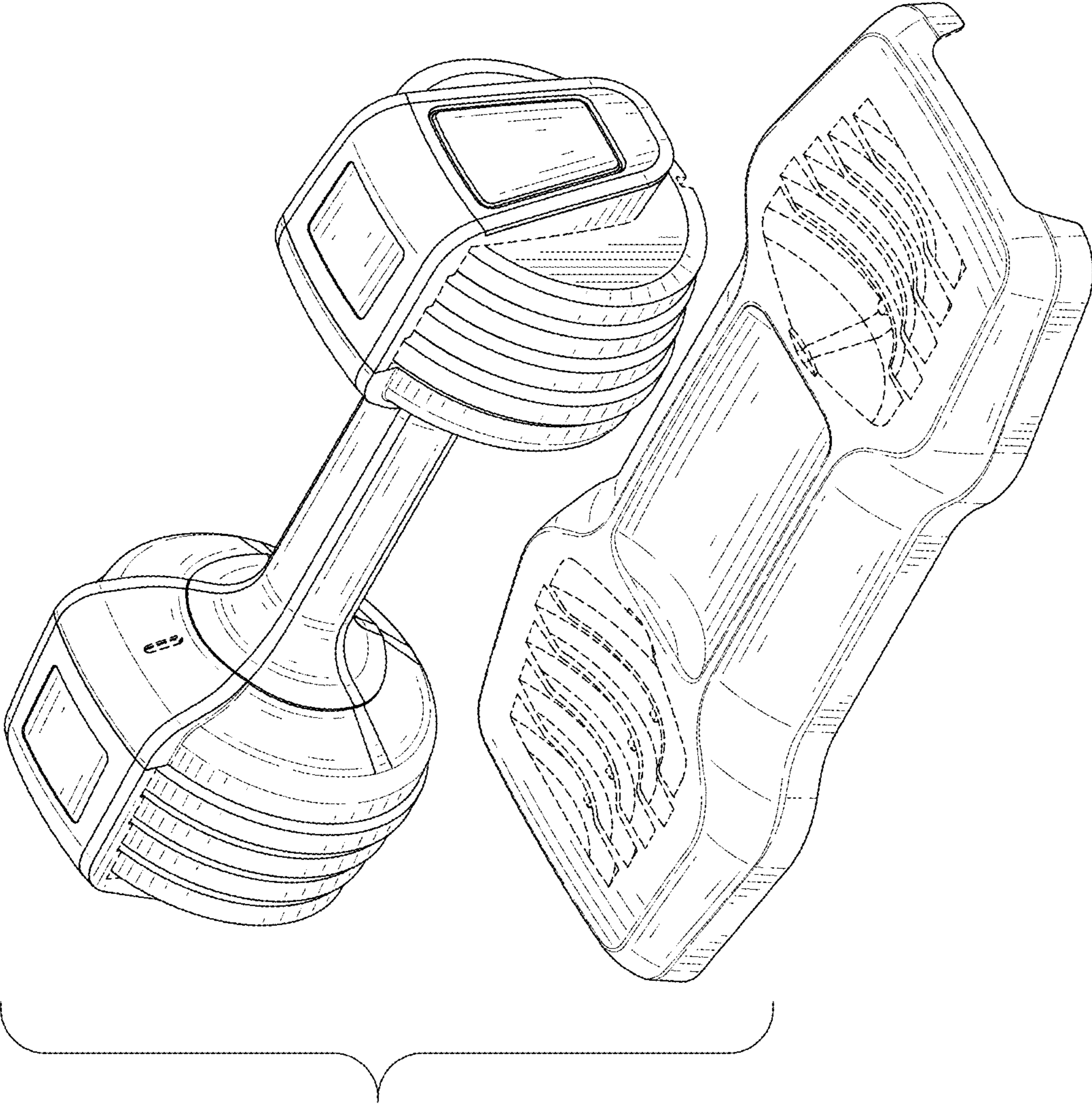


FIG. 8