



US00D962361S

(12) **United States Design Patent** (10) **Patent No.:** **US D962,361 S**  
**Srihari et al.** (45) **Date of Patent:** **\*\* Aug. 30, 2022**

- (54) **WORKOUT BAR**
- (71) Applicant: **Pure Global Brands, Inc.**, Mesquite, TX (US)
- (72) Inventors: **Swastic Srihari**, Addison, TX (US); **Zorin Abraham**, Sunnyvale, TX (US); **Kinsey Harris**, West Palm Beach, FL (US)
- (73) Assignee: **Pure Global Brands, Inc.**, Mesquite, TX (US)
- (\*\*) Term: **15 Years**
- (21) Appl. No.: **29/805,049**
- (22) Filed: **Aug. 24, 2021**

- D633,156 S 2/2011 Caswell et al.
- D633,861 S 3/2011 Loew et al.
- D633,961 S \* 3/2011 Loew ..... D21/679
- D667,901 S \* 9/2012 Garcia Chavez ..... D21/679
- D686,286 S 7/2013 Orakwusi
- (Continued)

**OTHER PUBLICATIONS**

Ultimate body press store, announced 2016[online], [site visited Apr. 19, 2022]. Available on internet, URL:<https://www.amazon.com/Ultimate-Body-Press-Elevated-Adjustable/dp/B01NCP3S71/ref> (Year: 2016).\*

(Continued)

*Primary Examiner* — Khawaja Anwar  
*Assistant Examiner* — Julice Seung Eun Oum  
(74) *Attorney, Agent, or Firm* — Scott Griggs; Griggs Bergen LLP

**Related U.S. Application Data**

- (63) Continuation-in-part of application No. 29/710,973, filed on Oct. 28, 2019, now abandoned.
- (51) **LOC (13) Cl.** ..... **21-02**
- (52) **U.S. Cl.**  
USPC ..... **D21/679**
- (58) **Field of Classification Search**  
USPC ..... D21/686, 662, 679, 694, 797, 673, 670, D21/665, 687, 682  
See application file for complete search history.

(57) **CLAIM**

The ornamental design for a workout bar, as shown and described.

**DESCRIPTION**

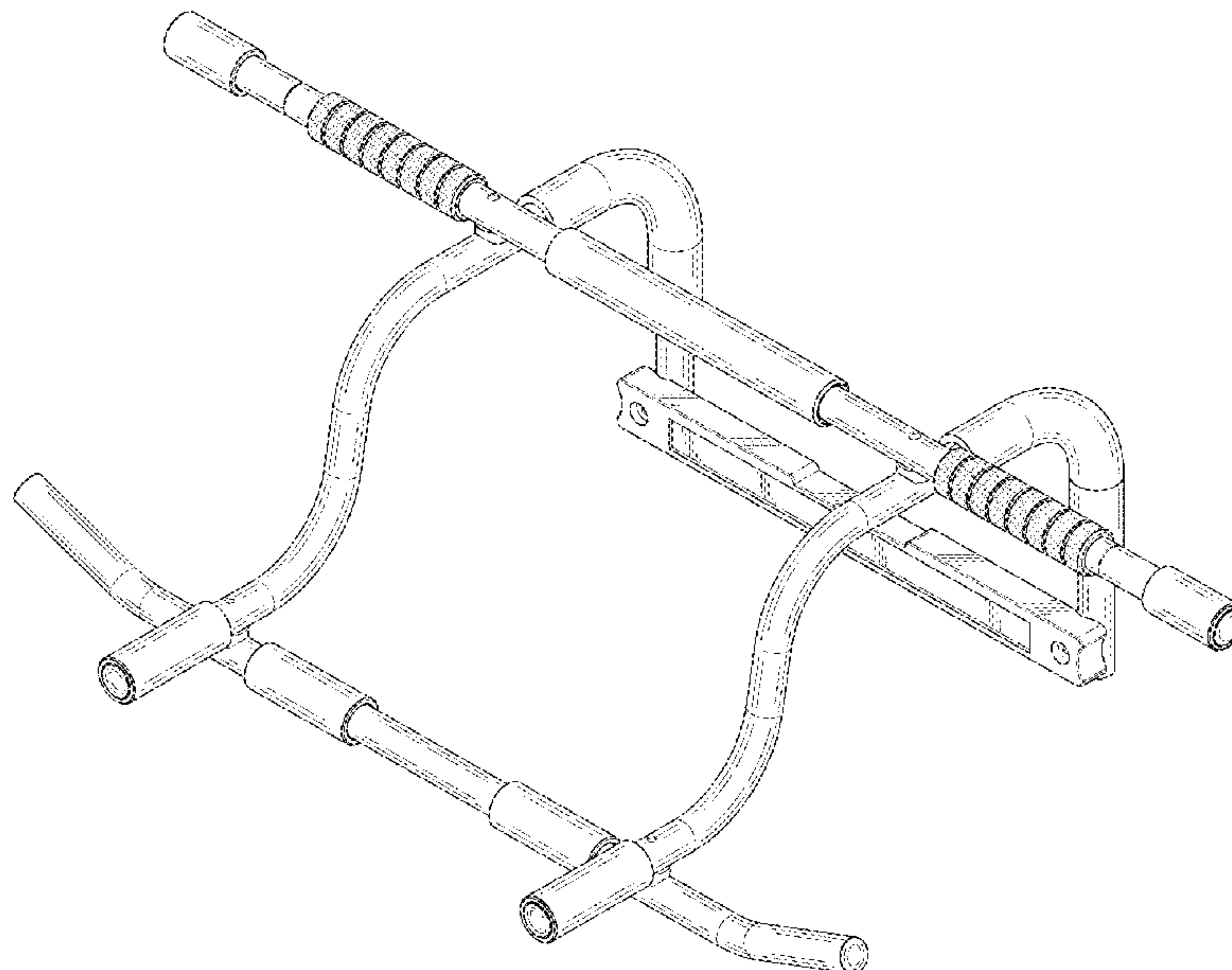
FIG. 1 is a front-bottom perspective view of a workout bar; FIG. 2 is a bottom plan view of the workout bar as shown in FIG. 1; and FIG. 3 is a top plan view of the workout bar as shown in FIG. 1.  
FIG. 4 is a rear elevation view of the workout bar as shown in FIG. 1;  
FIG. 5 is a front elevation view of the workout bar as shown in FIG. 1;  
FIG. 6 is a left-side elevation view of the workout bar as shown in FIG. 1; and,  
FIG. 7 is a right-side elevation view of the workout bar as shown in FIG. 1.

(56) **References Cited**

**U.S. PATENT DOCUMENTS**

- 2,297,272 A \* 9/1942 Wieland ..... C07D 471/22 540/472
- D210,469 S 3/1968 Sejersen
- D348,706 S 7/1994 Harrell
- D554,209 S 10/2007 Loucks
- D623,707 S 9/2010 Ritchie
- D626,187 S 10/2010 Friedman et al.

**1 Claim, 7 Drawing Sheets**



(56)

**References Cited**

## U.S. PATENT DOCUMENTS

8,535,204 B2 \* 9/2013 Stacey ..... A63B 23/12  
482/40  
8,992,395 B2 3/2015 Orakwusi  
9,079,085 B2 7/2015 McBride et al.  
9,427,611 B1 \* 8/2016 Balentine ..... A63B 21/068  
D863,467 S \* 10/2019 Weng ..... D21/679  
D892,948 S \* 8/2020 Huang ..... D21/679  
10,780,311 B1 \* 9/2020 Gadd ..... A63B 21/00047  
RE48,236 E \* 10/2020 Kehoe ..... A63B 21/1627  
D927,612 S \* 8/2021 Thomas ..... D21/686  
D936,761 S \* 11/2021 Jiang ..... D21/679  
2005/0250619 A1 11/2005 Daikeler et al.  
2012/0046150 A1 2/2012 Stacey  
2012/0115683 A1 5/2012 Ross  
2012/0115684 A1 5/2012 Nguyen  
2013/0030334 A1 1/2013 Agostini  
2014/0221163 A1 8/2014 McBride et al.

## OTHER PUBLICATIONS

GoPlus, announced Feb. 2021[online], [site visited Apr. 19, 2022].  
Available on internet, URL:<https://www.amazon.com/Goplus-Protective-Multifunctional-Portable-Equipment/dp/B08VVYMKQ6/>  
ref (Year: 2021).\*

\* cited by examiner

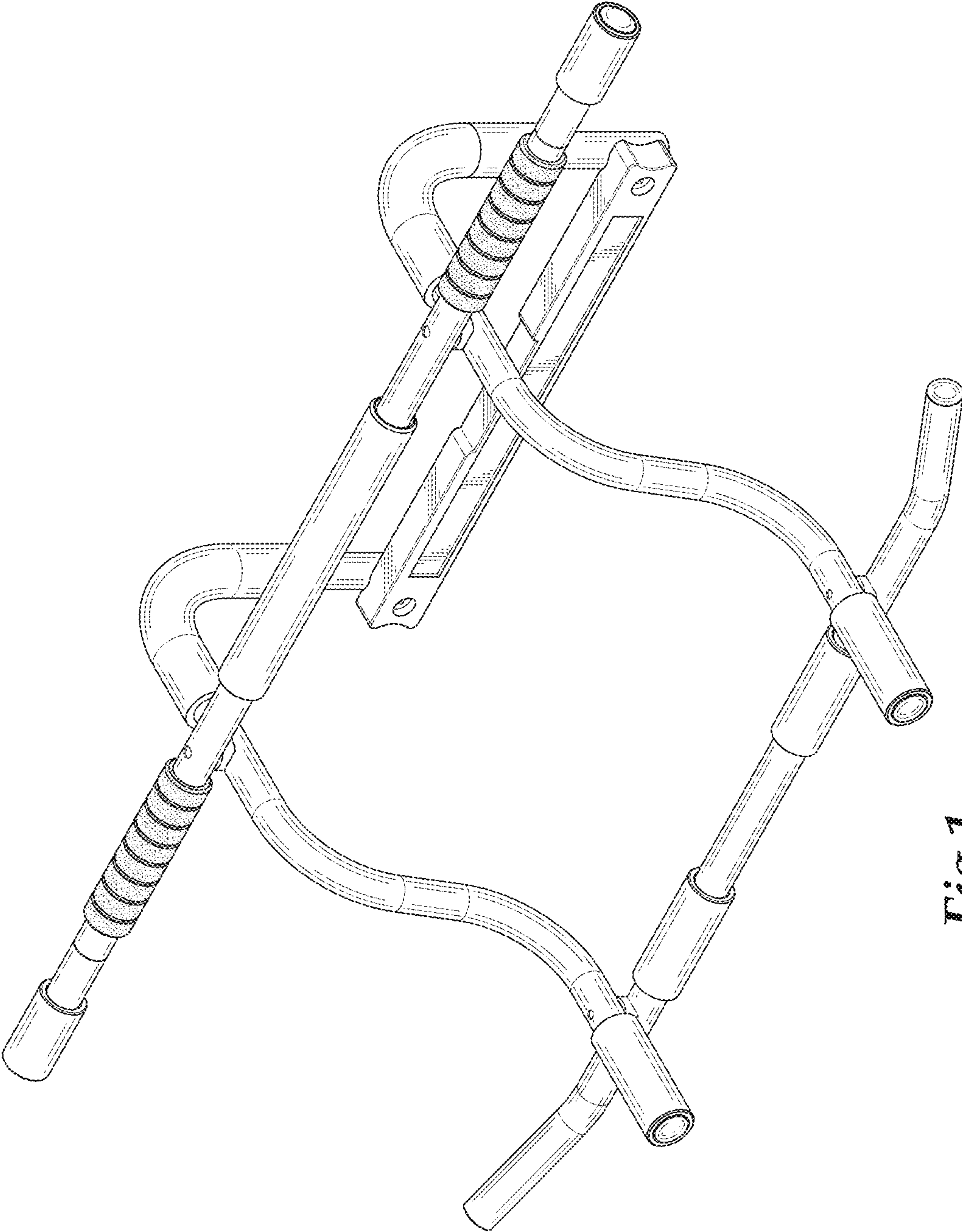
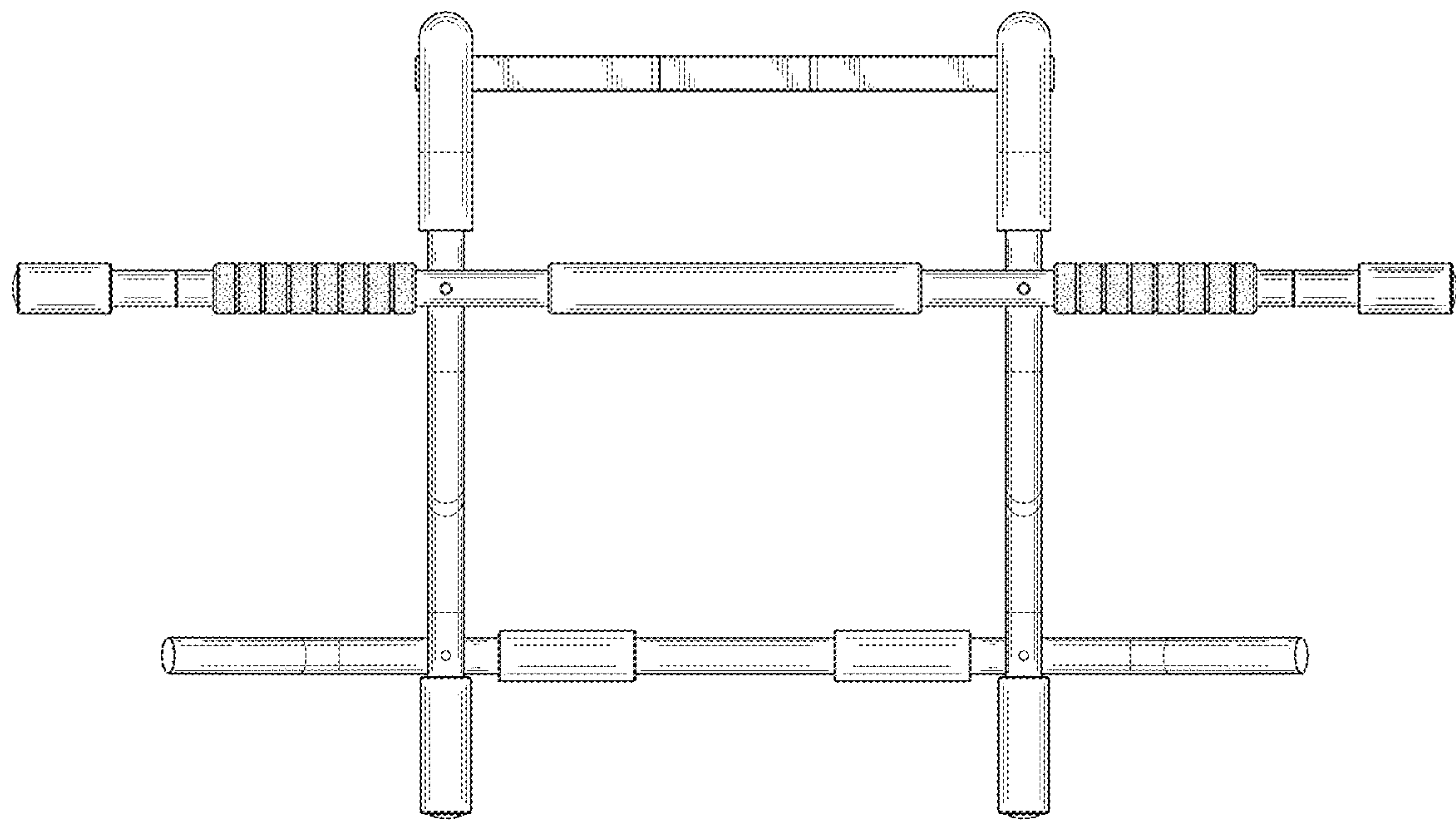
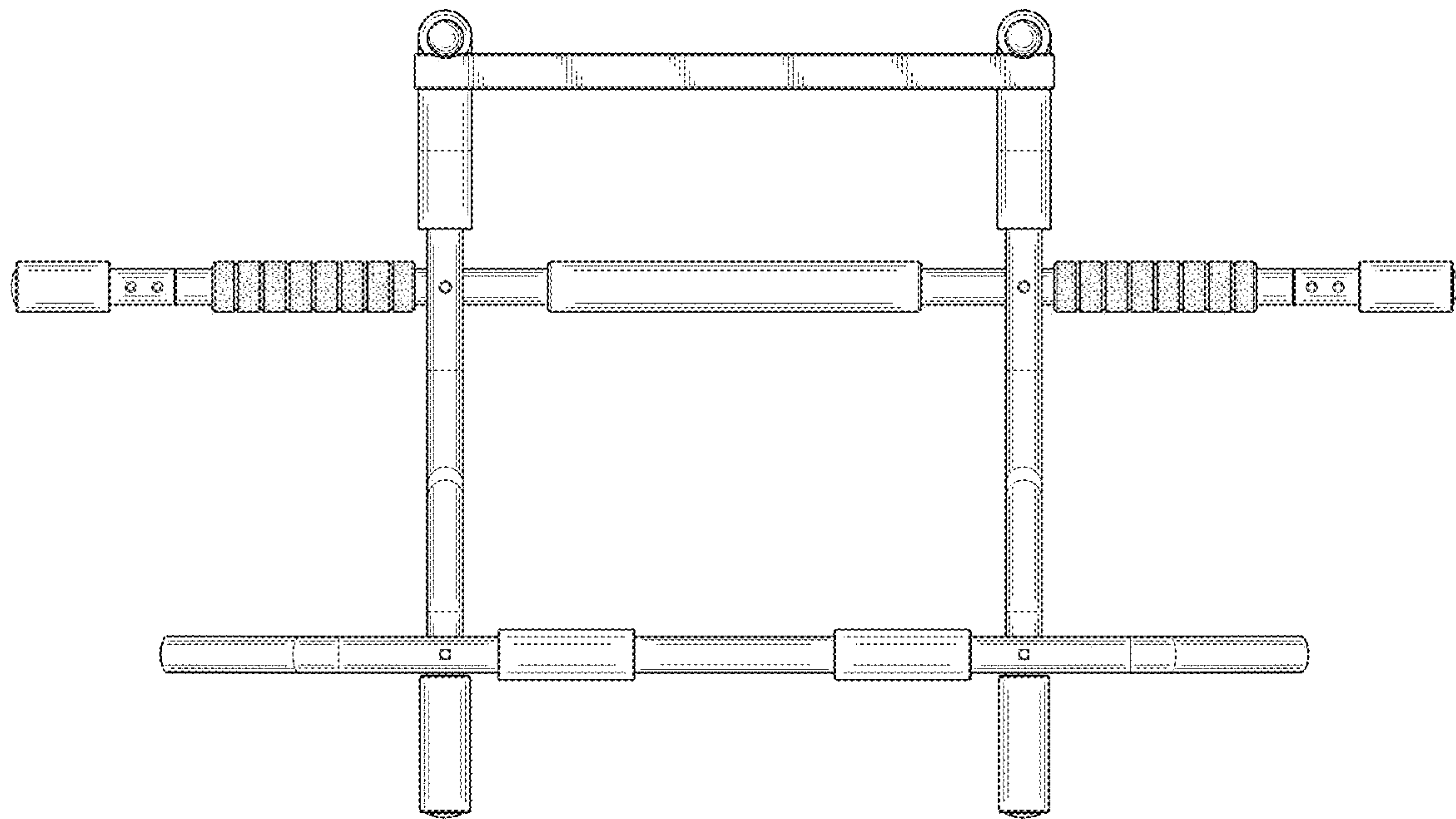


Fig. 1

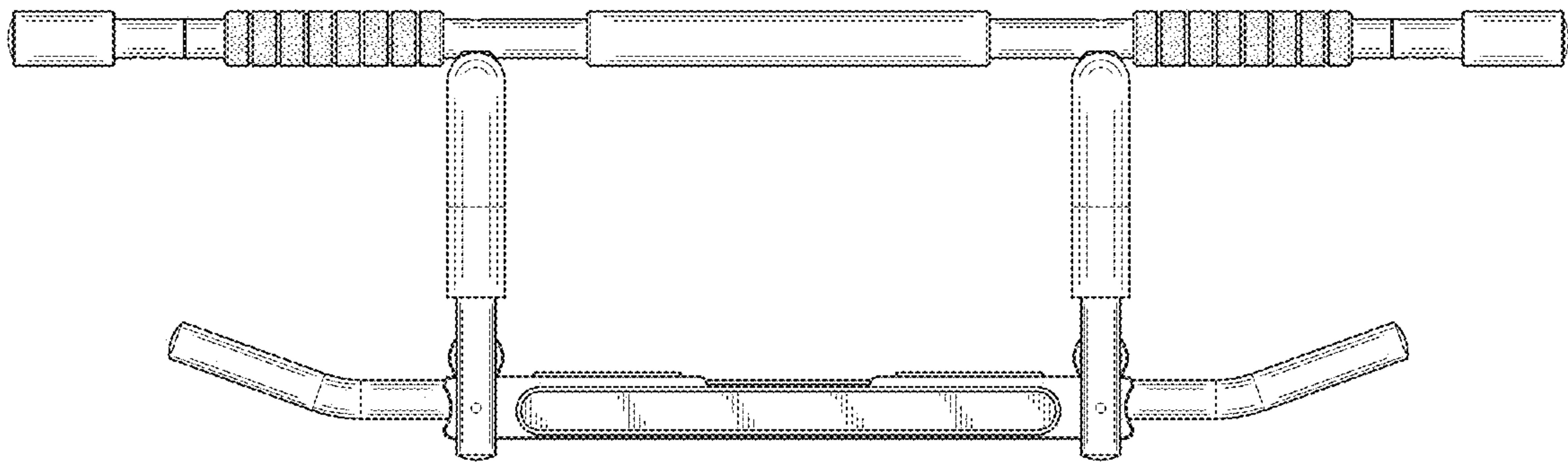


*Fig.2*

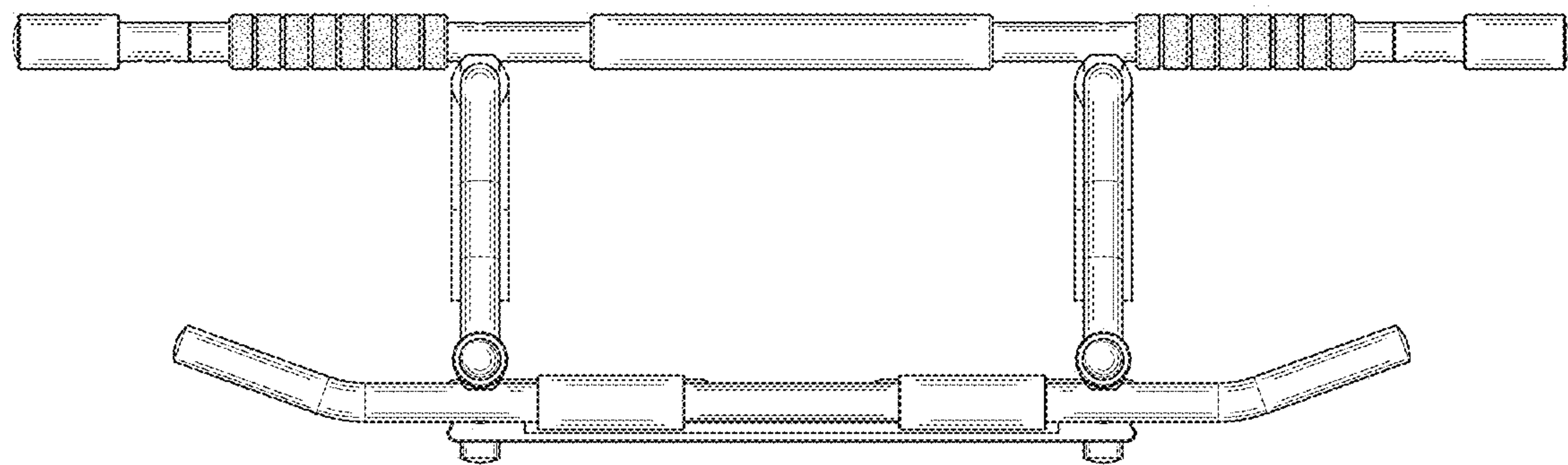


*Fig.3*

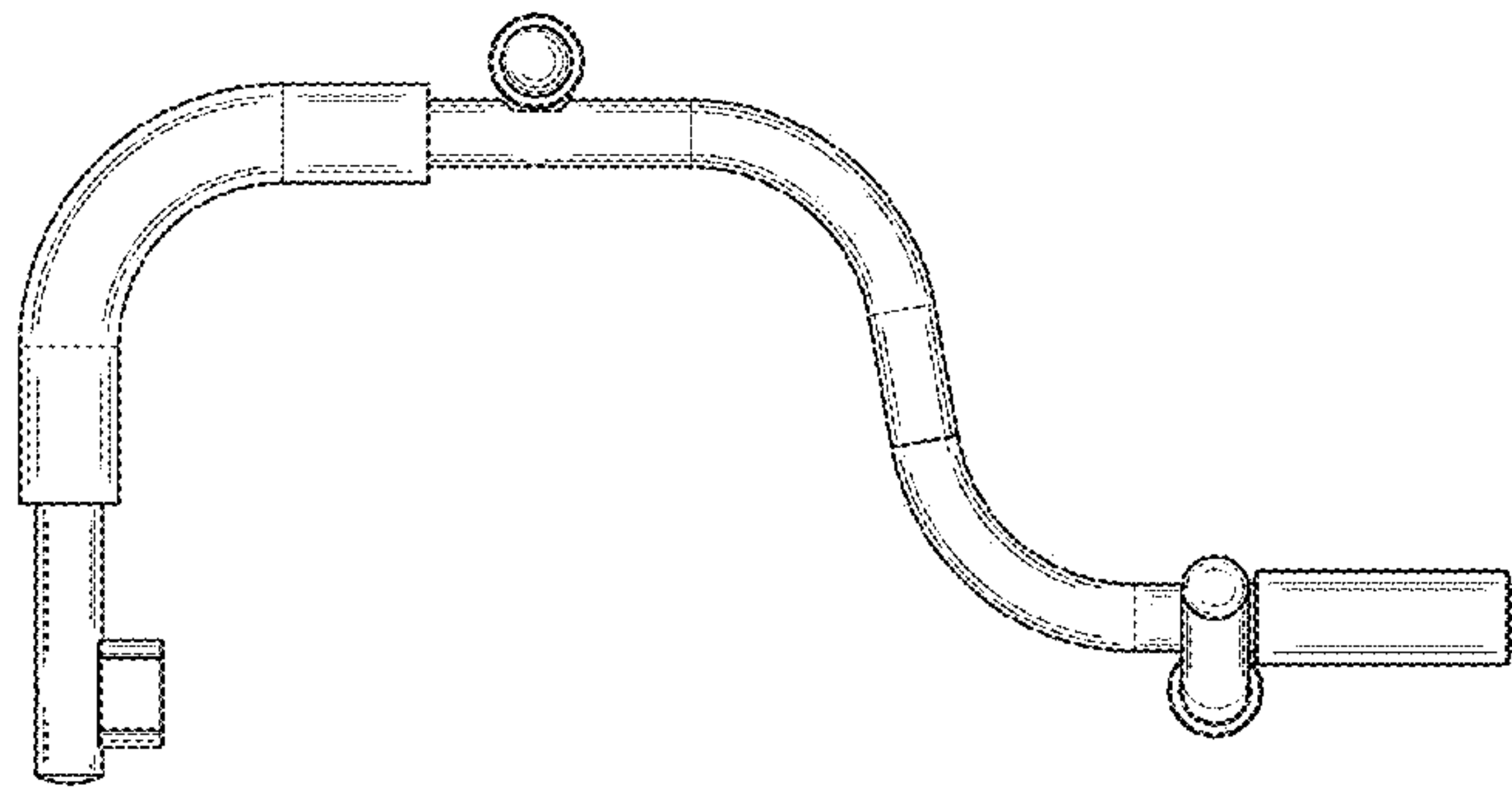




*Fig.4*

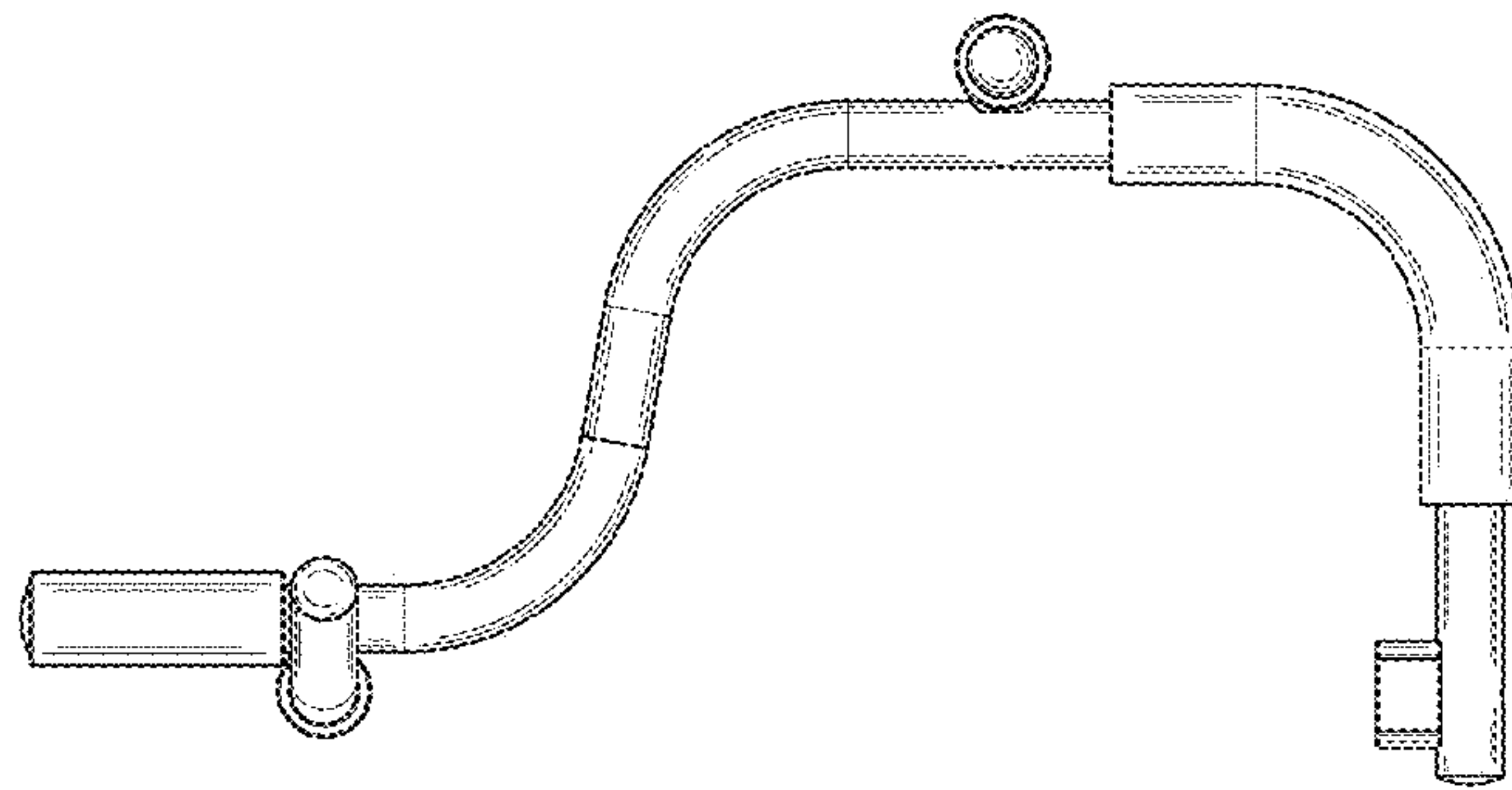


*Fig.5*



*Fig.6*





*Fig.7*