

US00D962358S

(12) **United States Design Patent**
Chen

(10) **Patent No.:** **US D962,358 S**

(45) **Date of Patent:** **** Aug. 30, 2022**

- (54) **TOY**
- (71) Applicant: **Guangdong Edukiddo Innovative and Education Technology Co., Ltd., Shantou (CN)**
- (72) Inventor: **Zeqiang Chen, Shantou (CN)**
- (**) Term: **15 Years**
- (21) Appl. No.: **29/792,267**
- (22) Filed: **Mar. 16, 2022**
- (51) **LOC (13) Cl.** **21-01**
- (52) **U.S. Cl.**
USPC **D21/578**
- (58) **Field of Classification Search**
USPC D21/578–583
CPC A63H 33/003; B25J 9/0003; B25J 9/0006
See application file for complete search history.

- 4,673,371 A * 6/1987 Furukawa A63H 11/00
446/175
- D292,604 S * 11/1987 Seo D21/578
- D298,766 S * 11/1988 Tanno D21/578
- D304,962 S * 12/1989 Watanabe D21/578
- D804,585 S * 12/2017 Belker A63H 11/00
D21/562
- D806,184 S * 12/2017 Belker D21/562
- D812,154 S * 3/2018 Belker D21/659
- D890,861 S * 7/2020 Blaustein D21/578
- 2021/0077915 A1 * 3/2021 Blaustein G09B 1/325

* cited by examiner

Primary Examiner — Joseph Kukella

(57) **CLAIM**

The ornamental design for a toy, as shown and described.

DESCRIPTION

FIG. 1 is a perspective view of a toy showing my new design;

FIG. 2 is a front view thereof;

FIG. 3 is a rear view thereof;

FIG. 4 is a left side view thereof;

FIG. 5 is a right side view thereof;

FIG. 6 is a top plan view thereof; and,

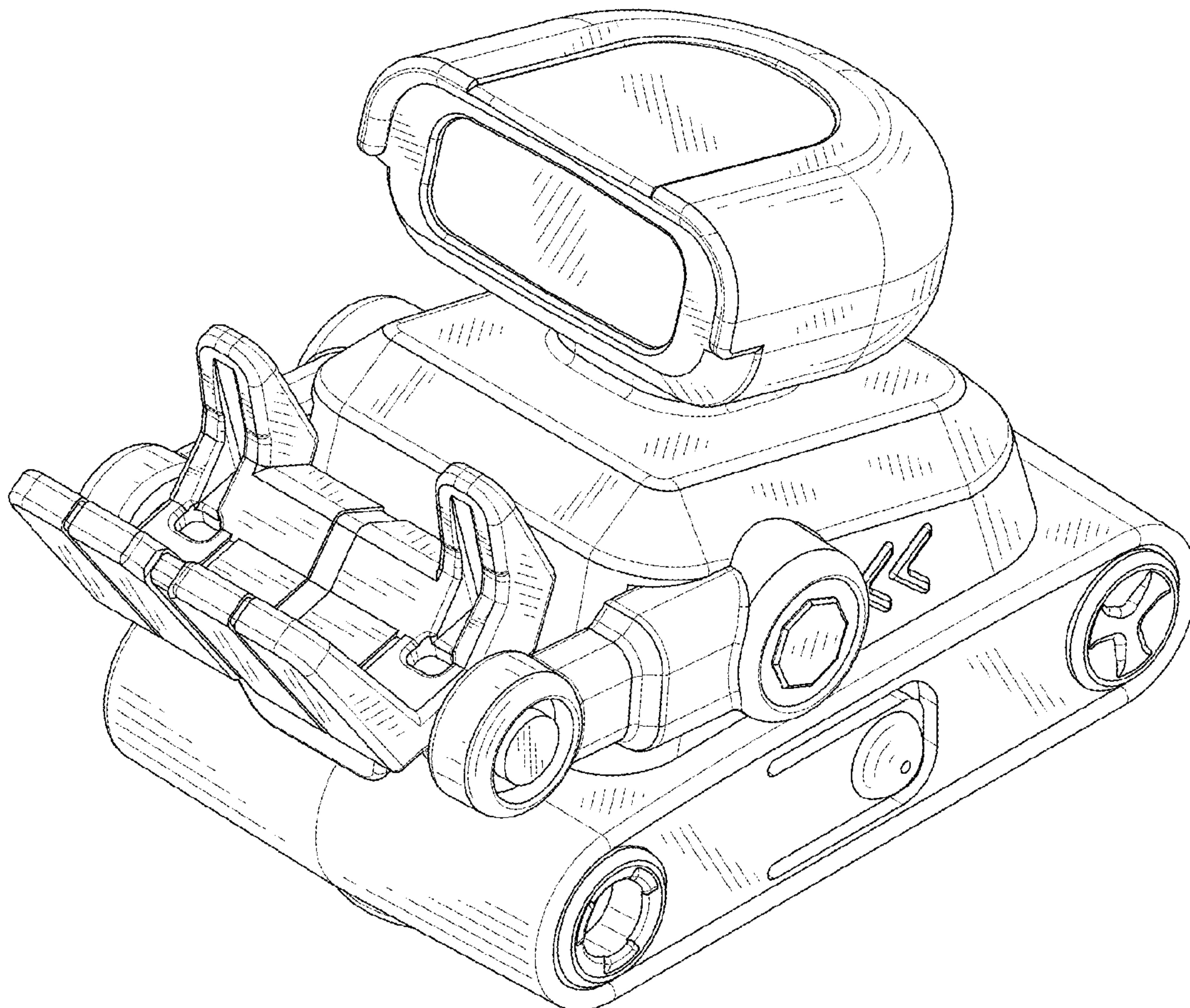
FIG. 7 is a bottom plan view thereof.

1 Claim, 7 Drawing Sheets

(56) **References Cited**

U.S. PATENT DOCUMENTS

- D287,986 S * 1/1987 Matsui G09B 1/325
D21/578
- D290,032 S * 5/1987 Horiuchi D21/578
- D290,146 S * 6/1987 Horiuchi D21/578



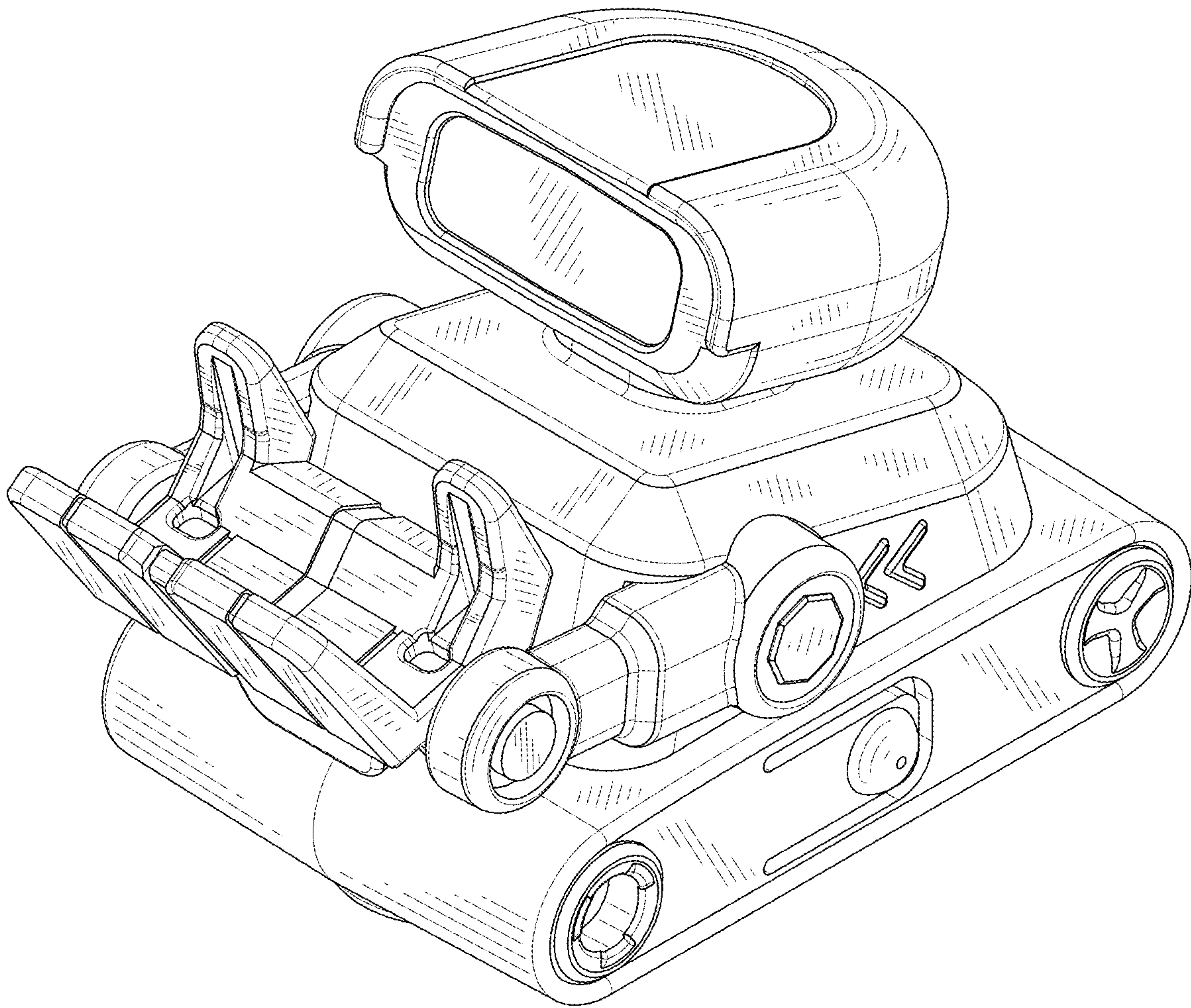


FIG. 1

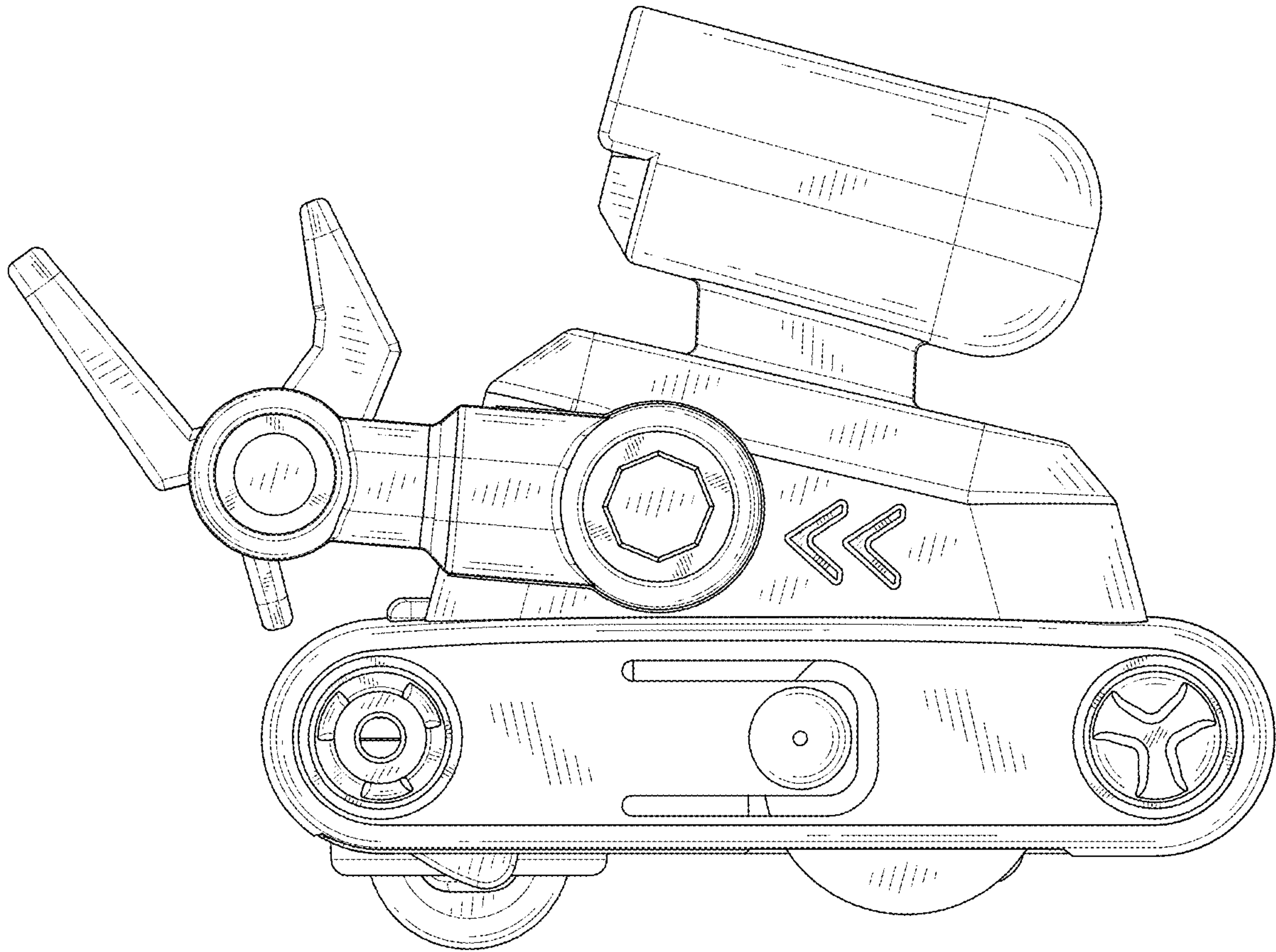


FIG. 2

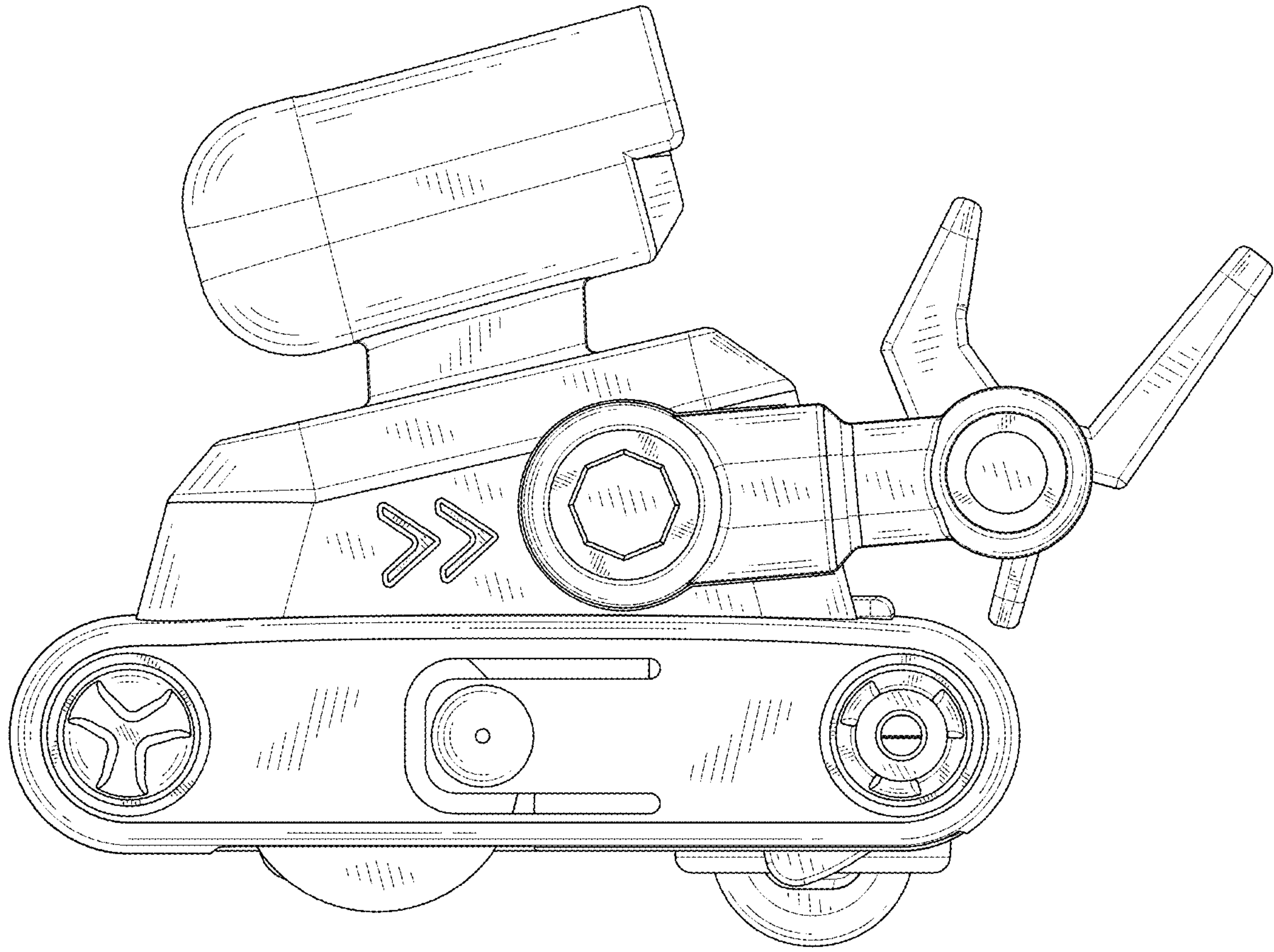


FIG. 3

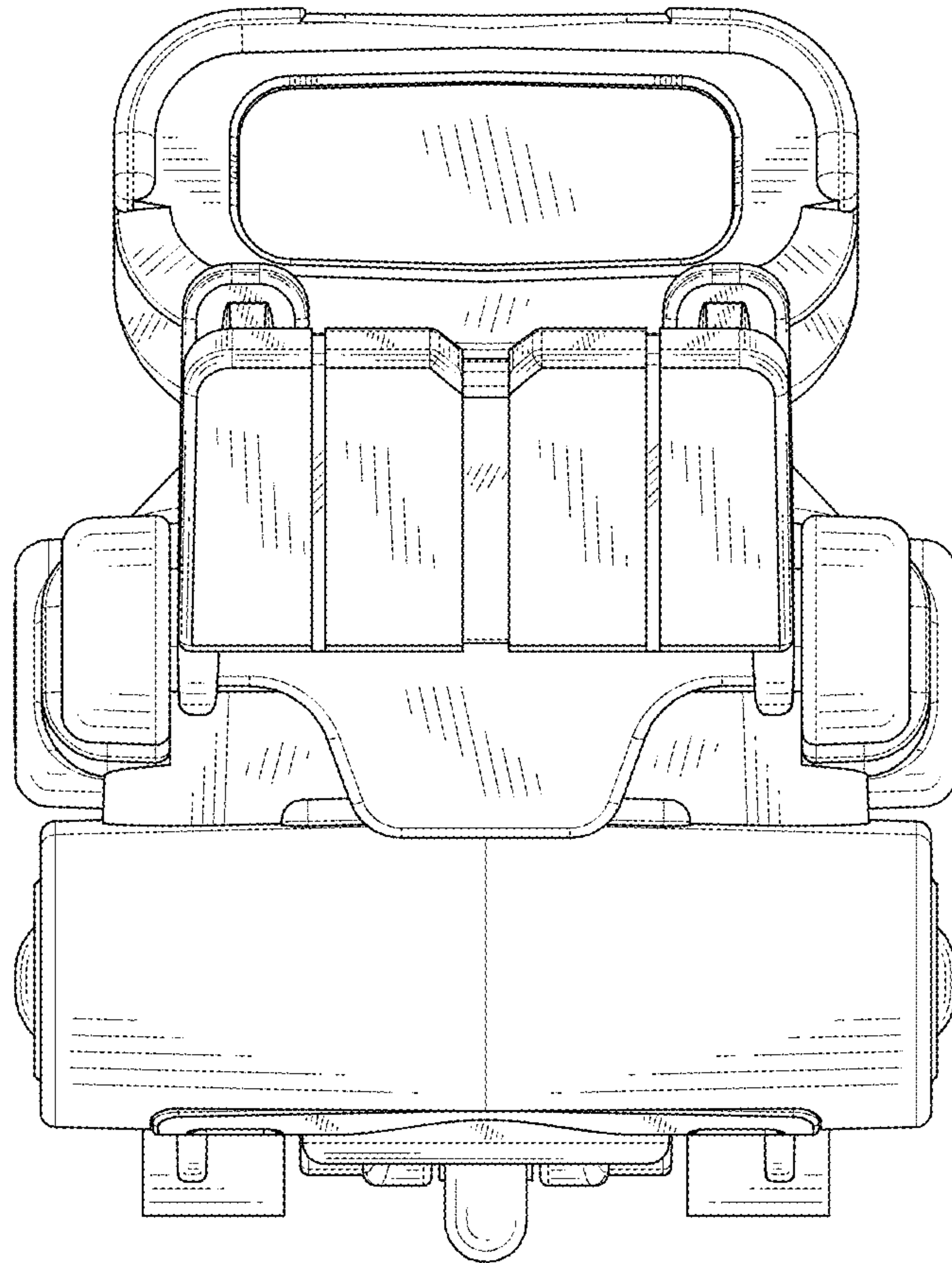


FIG. 4

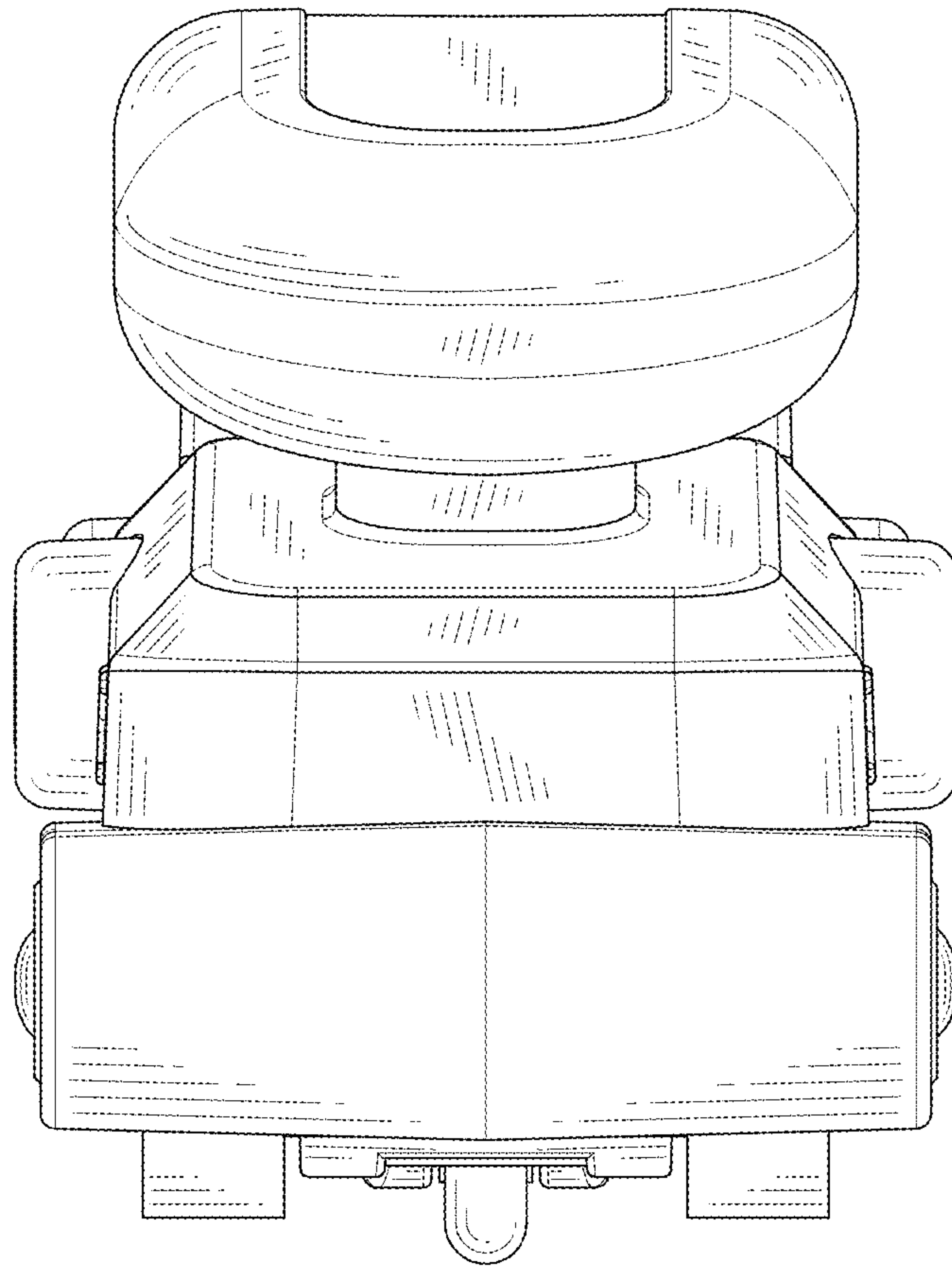


FIG. 5

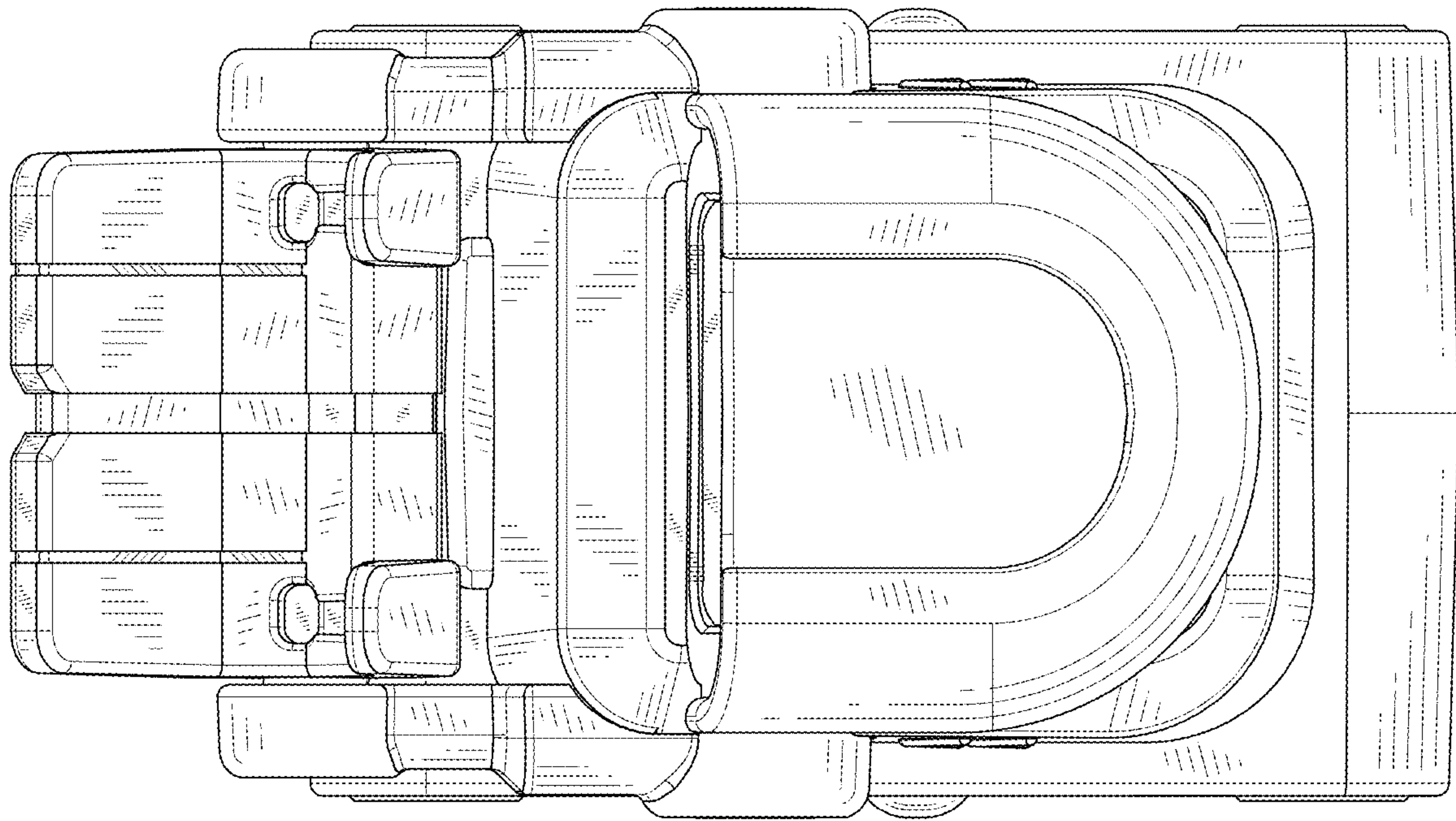


FIG. 6

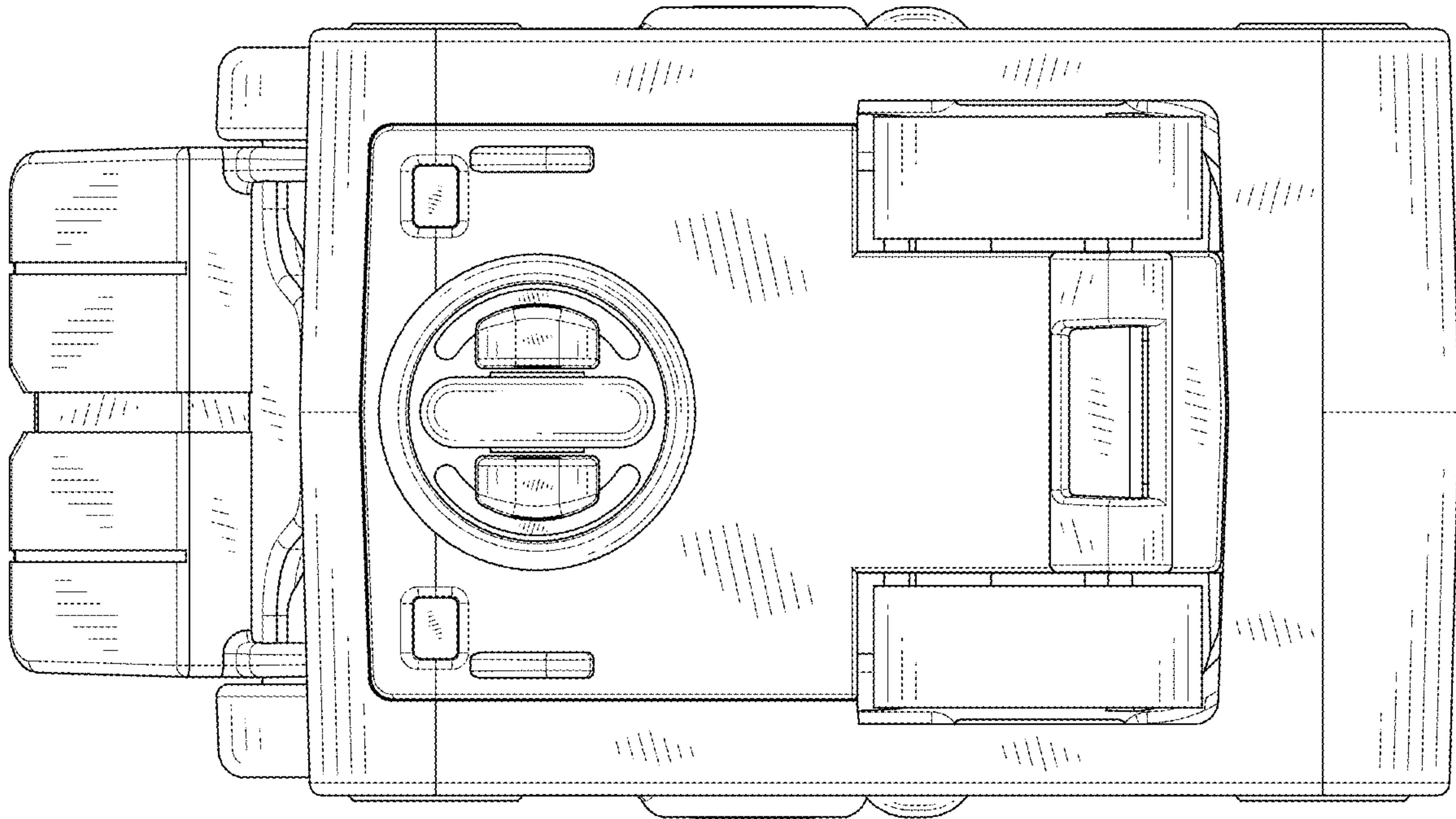


FIG. 7