



US00D962357S

(12) **United States Design Patent** (10) **Patent No.:** **US D962,357 S**
Lee (45) **Date of Patent:** **** Aug. 30, 2022**

(54) **TOP TOY**
(71) Applicant: **Wen Hsien Lee**, New Taipei (TW)
(72) Inventor: **Wen Hsien Lee**, New Taipei (TW)
(**) Term: **15 Years**
(21) Appl. No.: **29/752,185**
(22) Filed: **Sep. 25, 2020**
(51) **LOC (13) Cl.** **21-01**
(52) **U.S. Cl.**
USPC **D21/578**; D21/460
(58) **Field of Classification Search**
USPC D21/432, 538, 460, 461, 578, 398, 455,
D21/468, 470; D12/111, 1-5, 12;
D15/199
CPC B60Y 2200/12; B60Y 2200/122; B60Y
2200/13; A63H 17/16; A63H 17/21;
A63H 1/00; A63H 1/20; A63H 7/00;
A63H 7/04; A63H 7/06; B25J 5/00; B25J
5/007; B25J 9/1697
See application file for complete search history.

D633,578 S * 3/2011 Lee D21/621
D712,984 S * 9/2014 Lee D21/578
9,469,363 B1 * 10/2016 Speicher B62K 25/04
D823,367 S * 7/2018 Tsai D15/199

(Continued)

FOREIGN PATENT DOCUMENTS

EM 008206304-0001 * 10/2020

OTHER PUBLICATIONS

MiP Arcade Interactive Robot, available on Amazon.com, release date Sep. 30, 2020, [site visited Jan. 7, 2022], URL: <https://www.amazon.com/dp/B084TQJ48C> (Year: 2020).*

(Continued)

Primary Examiner — Dana K Weiland
Assistant Examiner — Emily Anna Saunders
(74) *Attorney, Agent, or Firm* — Alan D. Kamrath; Karin L. Williams; Mayer & Williams PC

(57) **CLAIM**

The ornamental design for a top toy, as shown and described.

DESCRIPTION

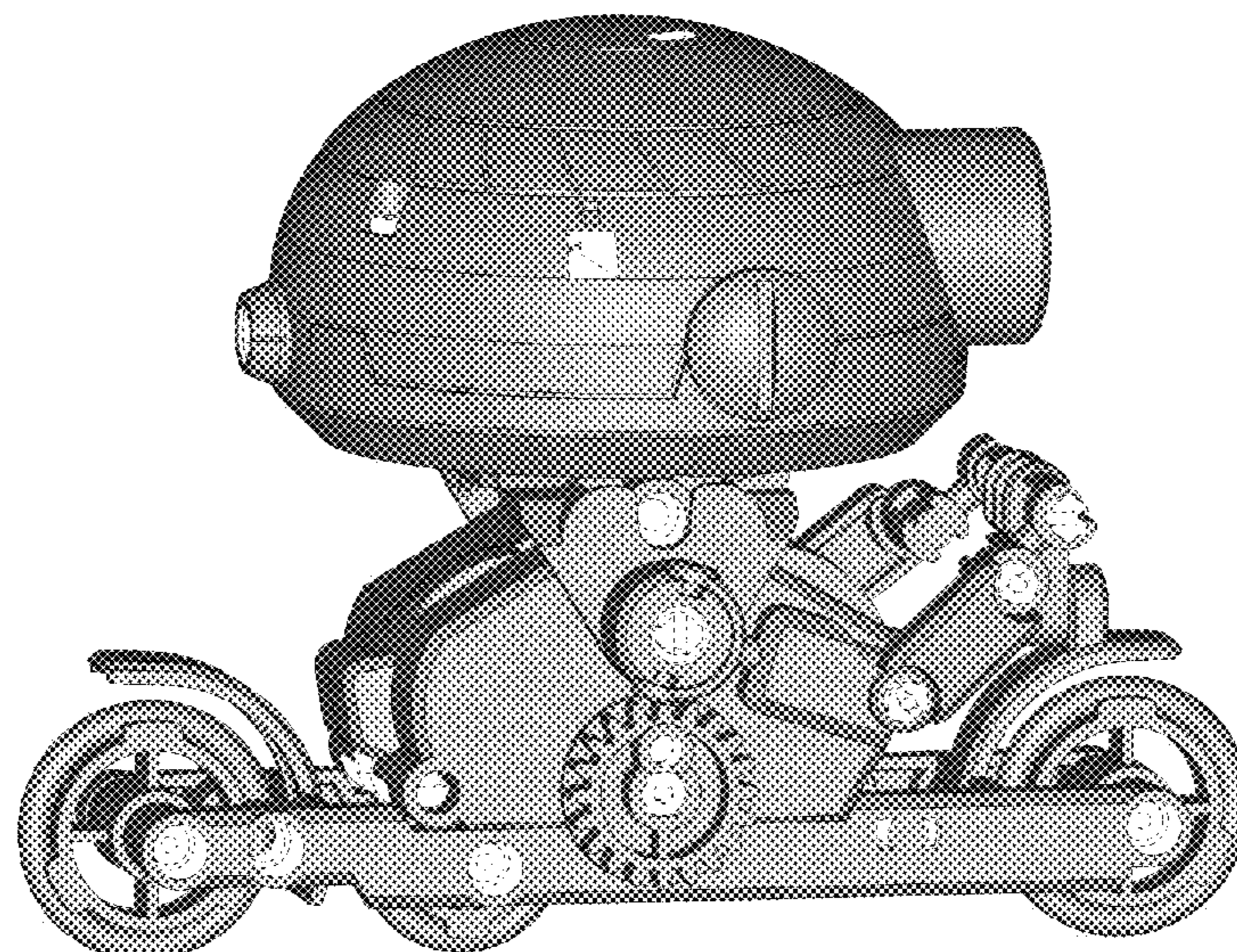
FIG. 1 is a perspective view of a top toy showing my new design;
FIG. 2 is another perspective view thereof;
FIG. 3 is still another perspective view thereof;
FIG. 4 is the other perspective view thereof;
FIG. 5 is a front elevation view thereof;
FIG. 6 is a rear elevation view thereof;
FIG. 7 is a left side elevation view thereof;
FIG. 8 is a right side elevation view thereof;
FIG. 9 is a top plan view thereof; and,
FIG. 10 is a bottom view thereof.
The broken lines illustrate portions of the top toy that form no part of the claim.

1 Claim, 10 Drawing Sheets

(56) **References Cited**

U.S. PATENT DOCUMENTS

D208,484 S * 9/1967 Wetherell D21/538
D259,202 S * 5/1981 Yamashina D21/538
4,290,228 A * 9/1981 Goldfarb A63H 30/04
180/219
D269,099 S * 5/1983 Goldfarb D21/538
4,673,371 A * 6/1987 Furukawa A63H 11/00
446/175
D292,110 S * 9/1987 Tamakoshi D21/578
5,823,845 A * 10/1998 O'Berrigan A63H 11/14
446/234
D450,788 S * 11/2001 Kawasaki D21/578
D464,090 S * 10/2002 Hornsby D21/578
D464,382 S * 10/2002 Hornsby D21/578
D532,460 S * 11/2006 Auberger A47D 13/086
D21/432
D609,287 S * 2/2010 Kinzer D21/621



(56)

References Cited

U.S. PATENT DOCUMENTS

D838,320	S *	1/2019	Lee	D21/533
10,245,952	B1 *	4/2019	Patterson	B60B 19/003
10,647,378	B2 *	5/2020	Speicher	B62K 11/08
D890,633	S *	7/2020	Zhou	D12/111
D890,861	S *	7/2020	Blaustein	D21/578
11,224,970	B2 *	1/2022	Zhang	B25J 9/1697
D942,518	S *	2/2022	Yang	D15/199
11,284,765	B2 *	3/2022	Han	B25J 5/007
11,285,606	B2 *	3/2022	Nakayama	B25J 19/023
2007/0264904	A1 *	11/2007	Sheltman	A63H 17/21 446/440
2012/0209433	A1 *	8/2012	Paz Rodriguez	B25J 11/0005 700/259

OTHER PUBLICATIONS

Space Lion Spinning Top, available on Amazon.com, oldest customer review Dec. 4, 2019, [site visited Jan. 7, 2022], URL: <https://www.amazon.com/SPACE-LION-Toys-Spin-Multi-Function-Kids%EF%BC%88Yellow%EF%BC%89/dp/B07WNHPW7Q?th=1> (Year: 2019).*

Robot Toy, available on amazon.com, date first available Oct. 21, 2021, [site visited Dec. 27, 2021], URL: <https://www.amazon.com/dp/B08SR4J6XX/> (Year: 2021).*

REMOKING Robot Toys, available on amazon.co.uk, date first available Jan. 28, 2021, [site visited Dec. 27, 2021], URL: <https://www.amazon.co.uk/REMOKING-Flexible-Children-Educational-Birthday/dp/B08V8RM9ZG/> (Year: 2021).*

Learning Resources Botley the Coding Robot, available on Amazon.com, release date Jan. 1, 2020, [site visited Jan. 7, 2022], URL: <https://www.amazon.com/Learning-Resources-Botley-Activity-Programming/dp/B083T58PKM> (Year: 2020).*

A clever robot who can ride bicycle, available on en.people.cn, updated Oct. 9, 2005, [site visited Jan. 7, 2022], URL: http://en.people.cn/200510/09/eng20051009_213467.html (Year: 2005).*

Robot at the gym on an exercise bike stock photo, available on istockphoto.com, upload date Nov. 5, 2015, [site visited Jan. 7, 2022], URL: <https://www.istockphoto.com/photo/robot-at-the-gym-on-an-exercise-bike-gm494222584-77332051> (Year: 2015).*

Fisher-Price Think & Learn Teach, available on Amazon.com, release date Jul. 1, 2017, [site visited Jan. 7, 2022], URL: <https://www.amazon.com/dp/B01NBTK6F5?tag=mlb-robot-toys-20> (Year: 2017).*

* cited by examiner

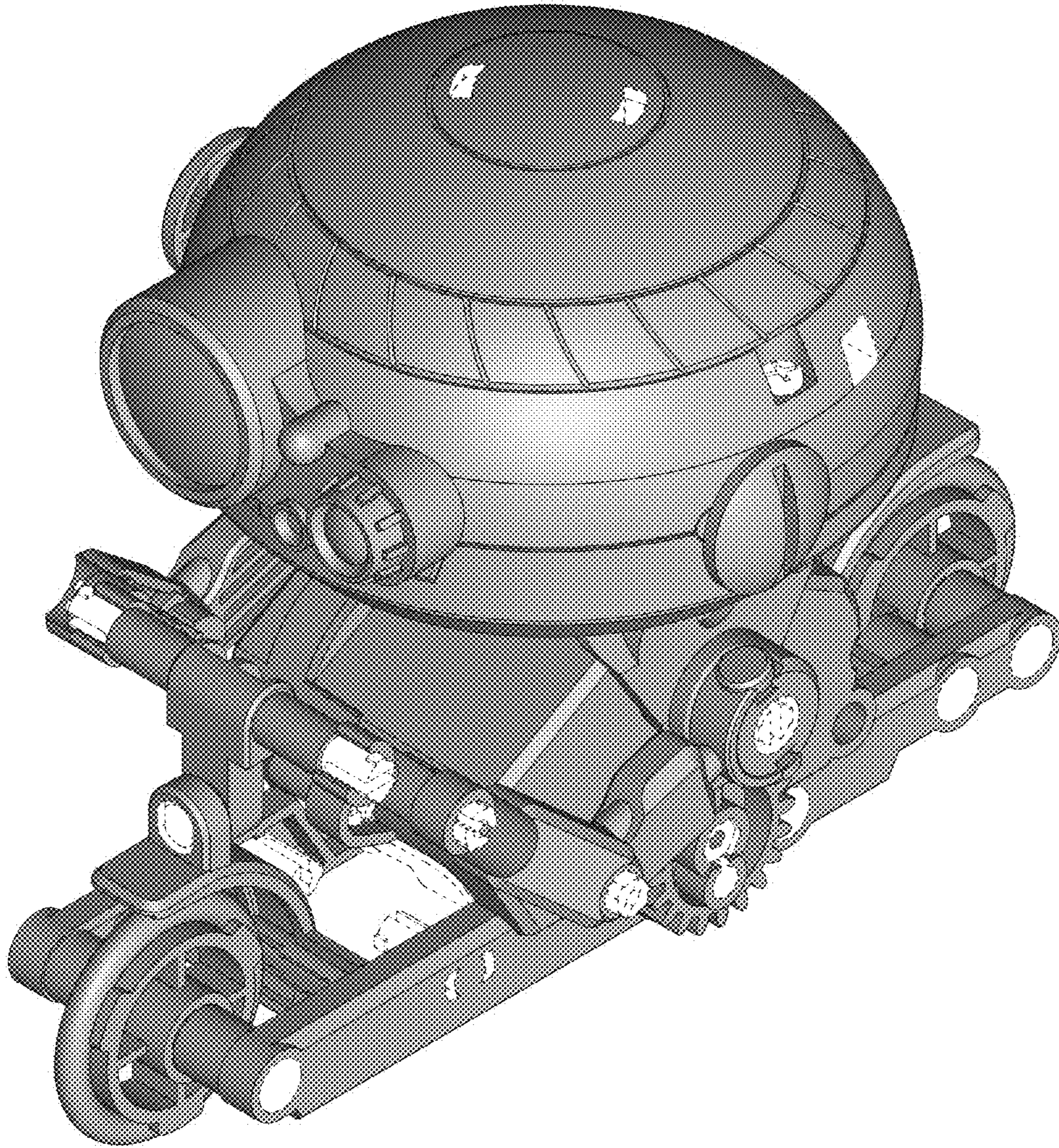


FIG.1

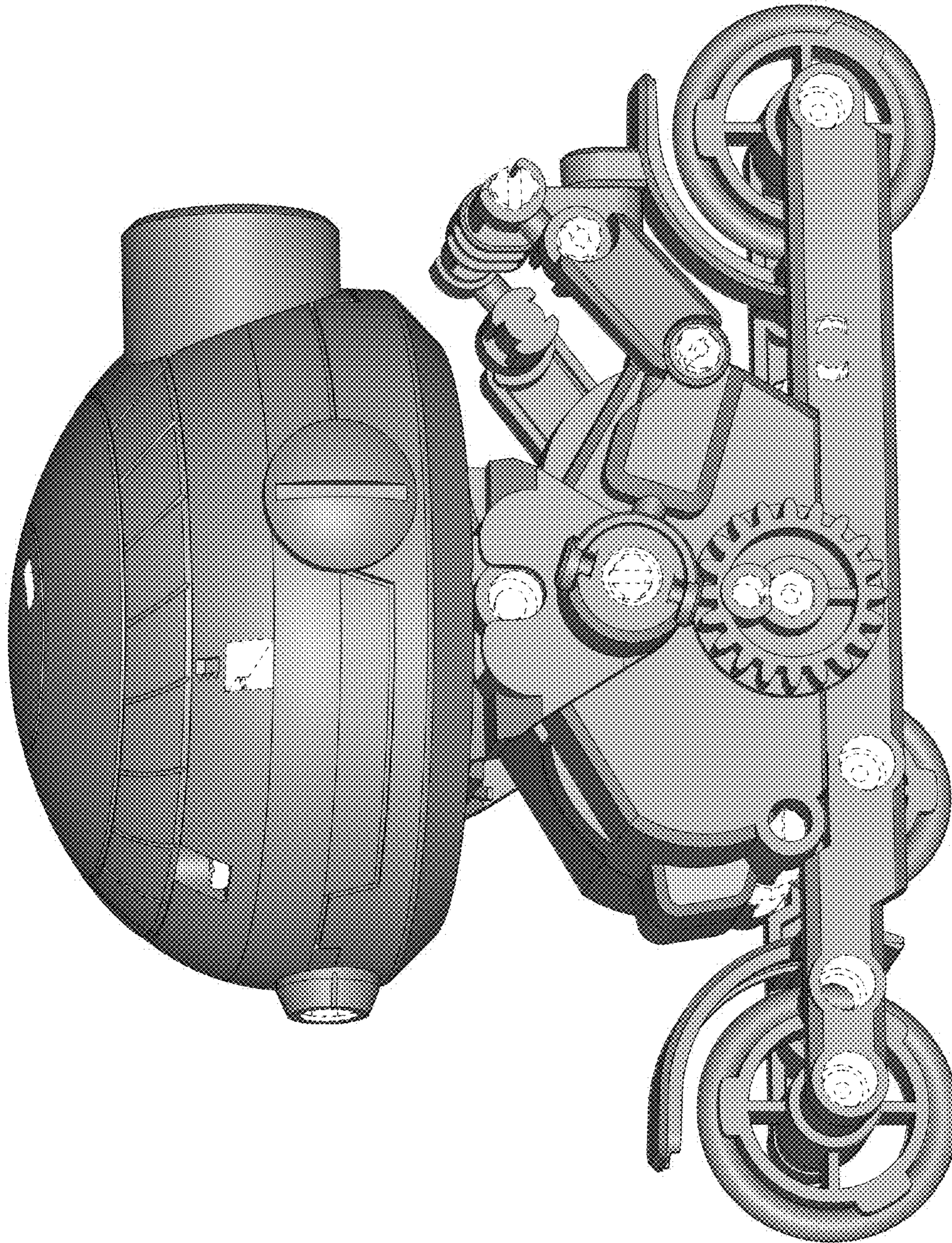


FIG.2

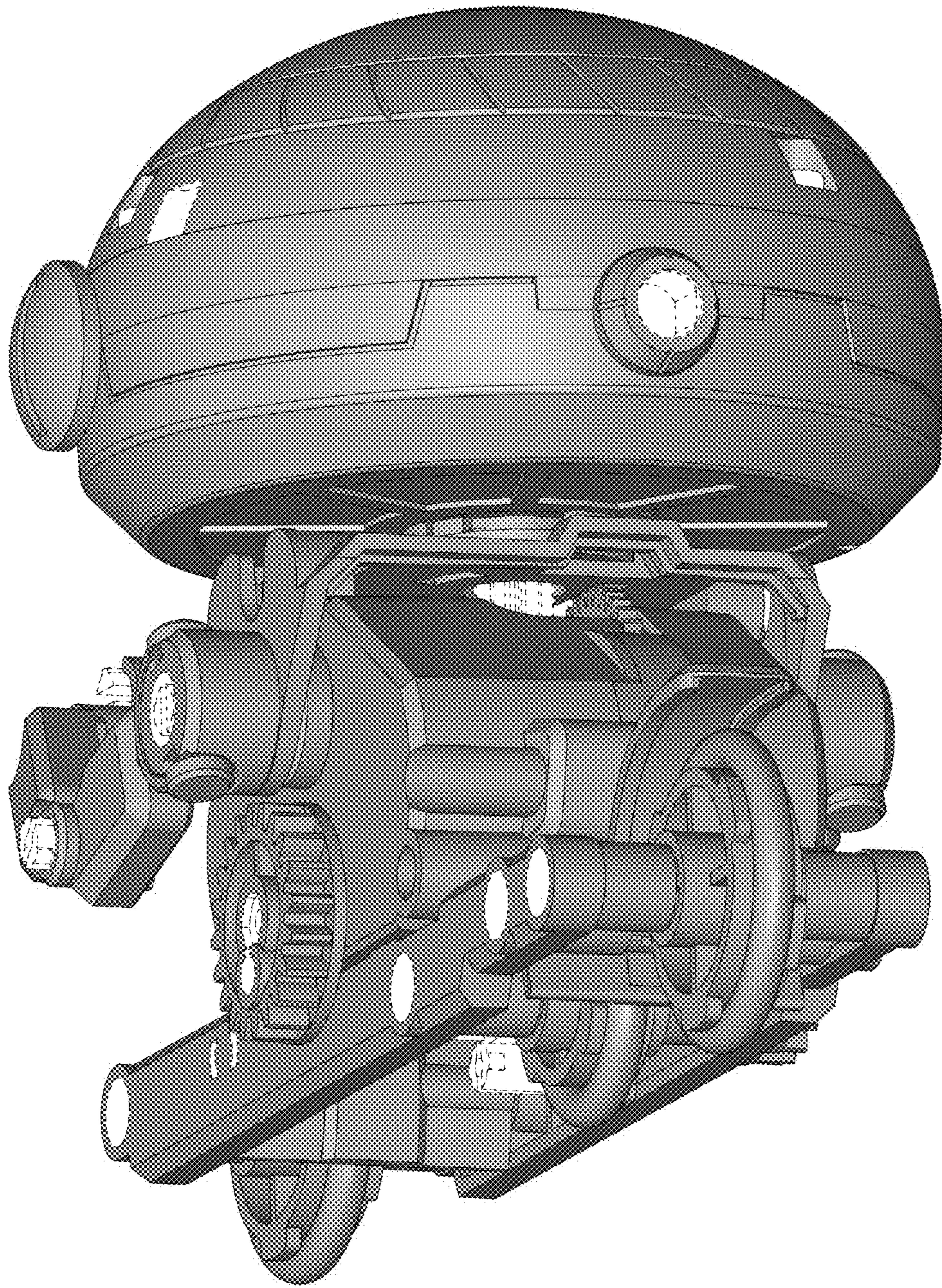


FIG.3

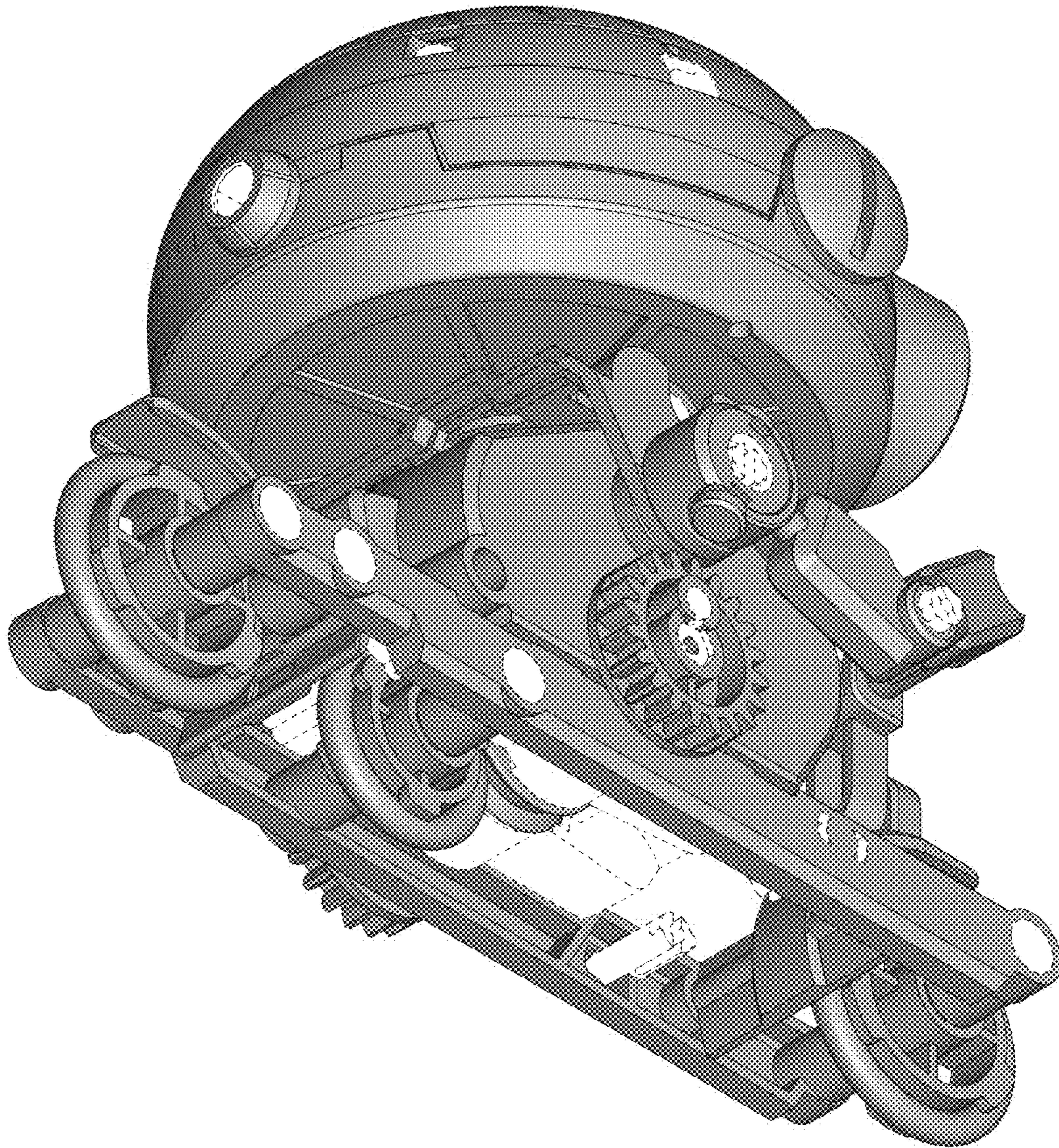


FIG.4

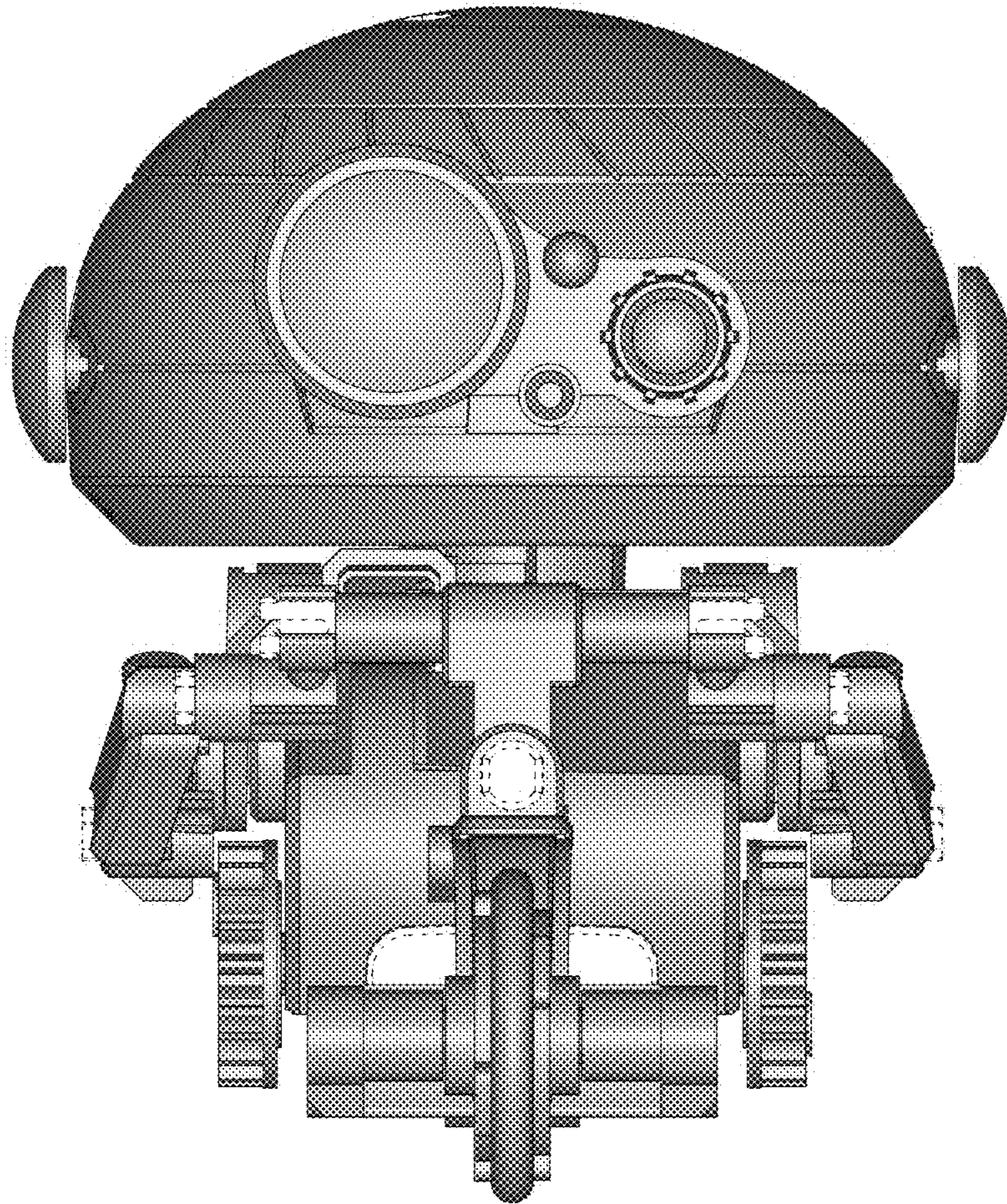


FIG.5

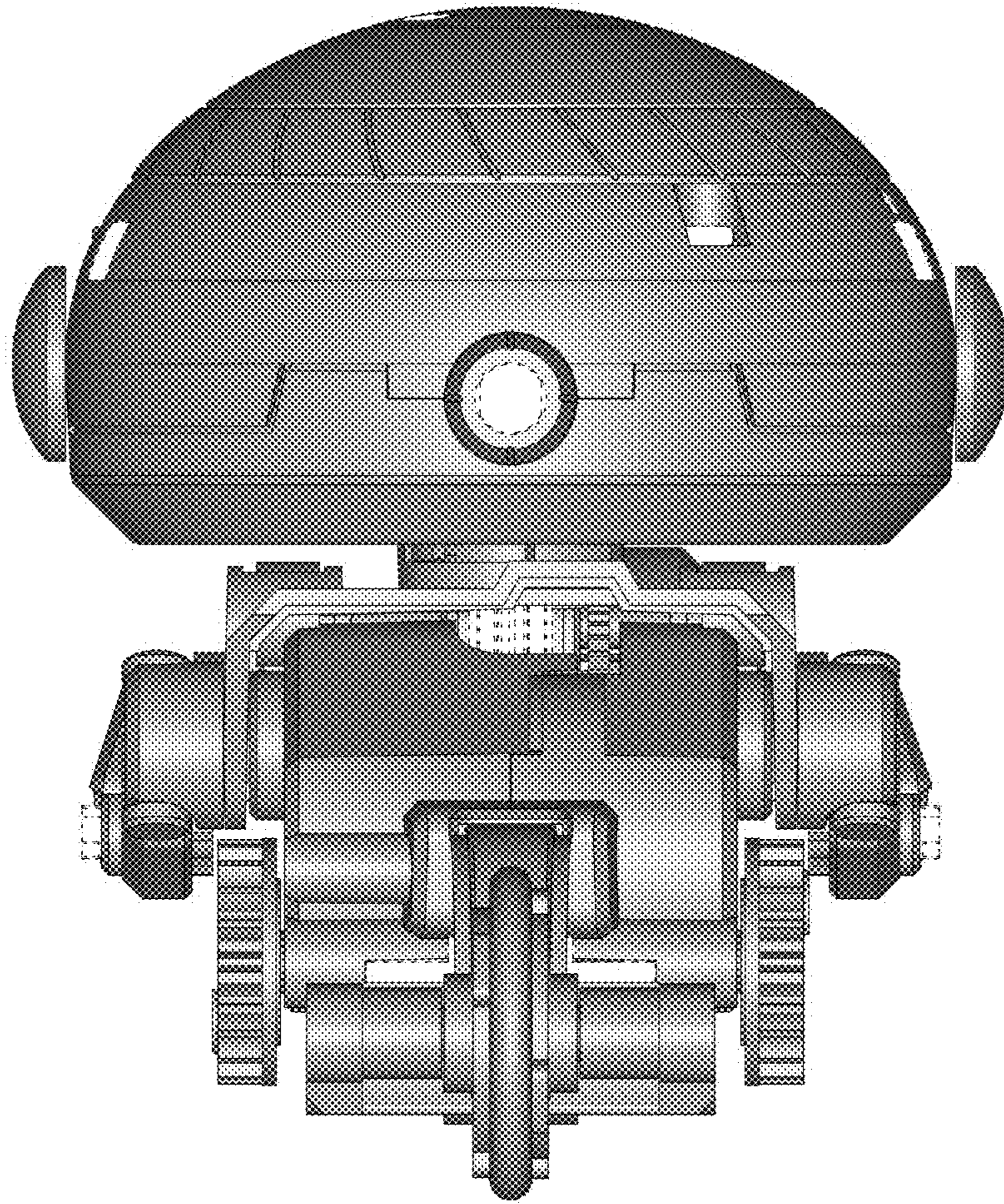


FIG.6

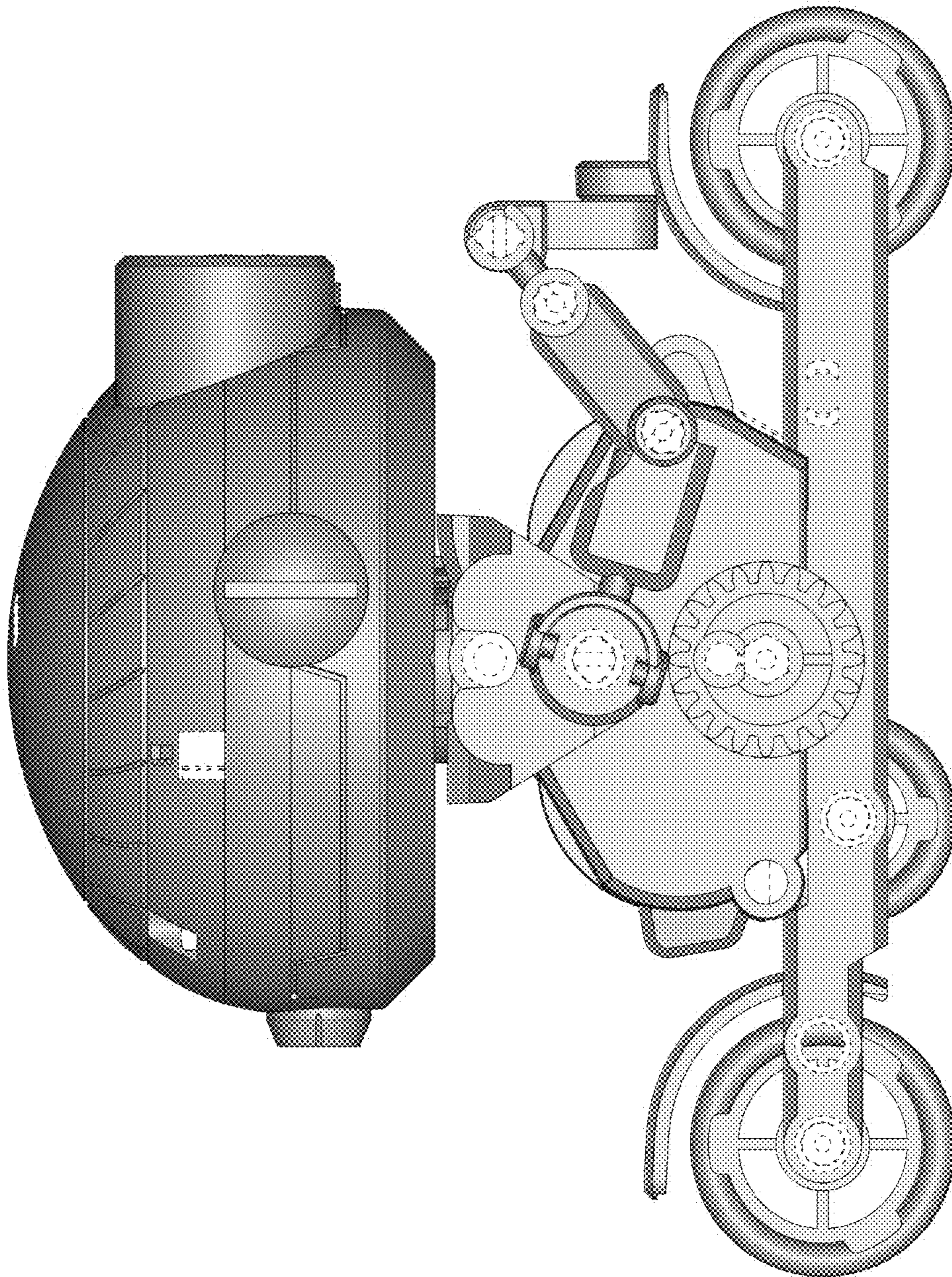


FIG.7

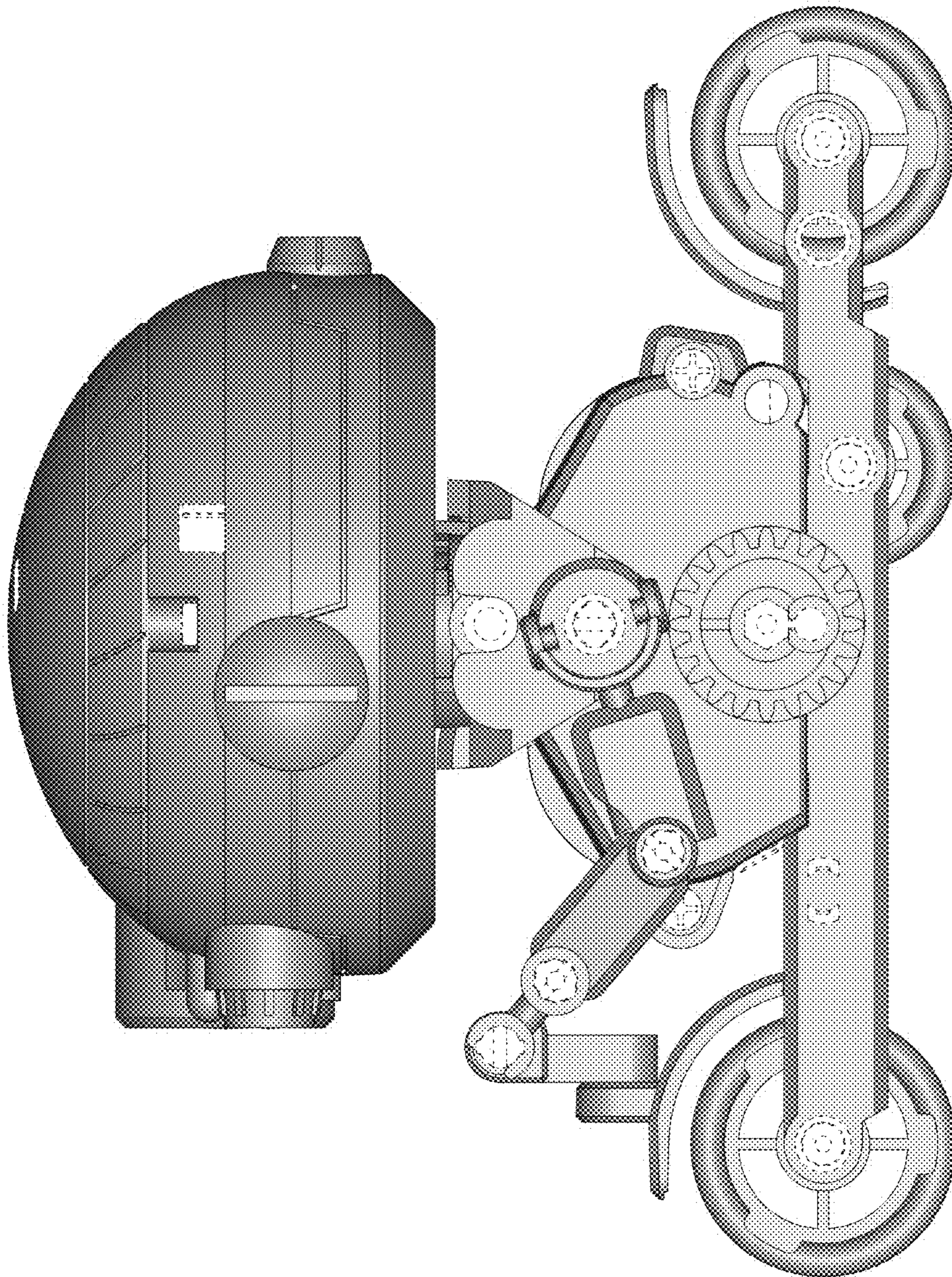


FIG.8

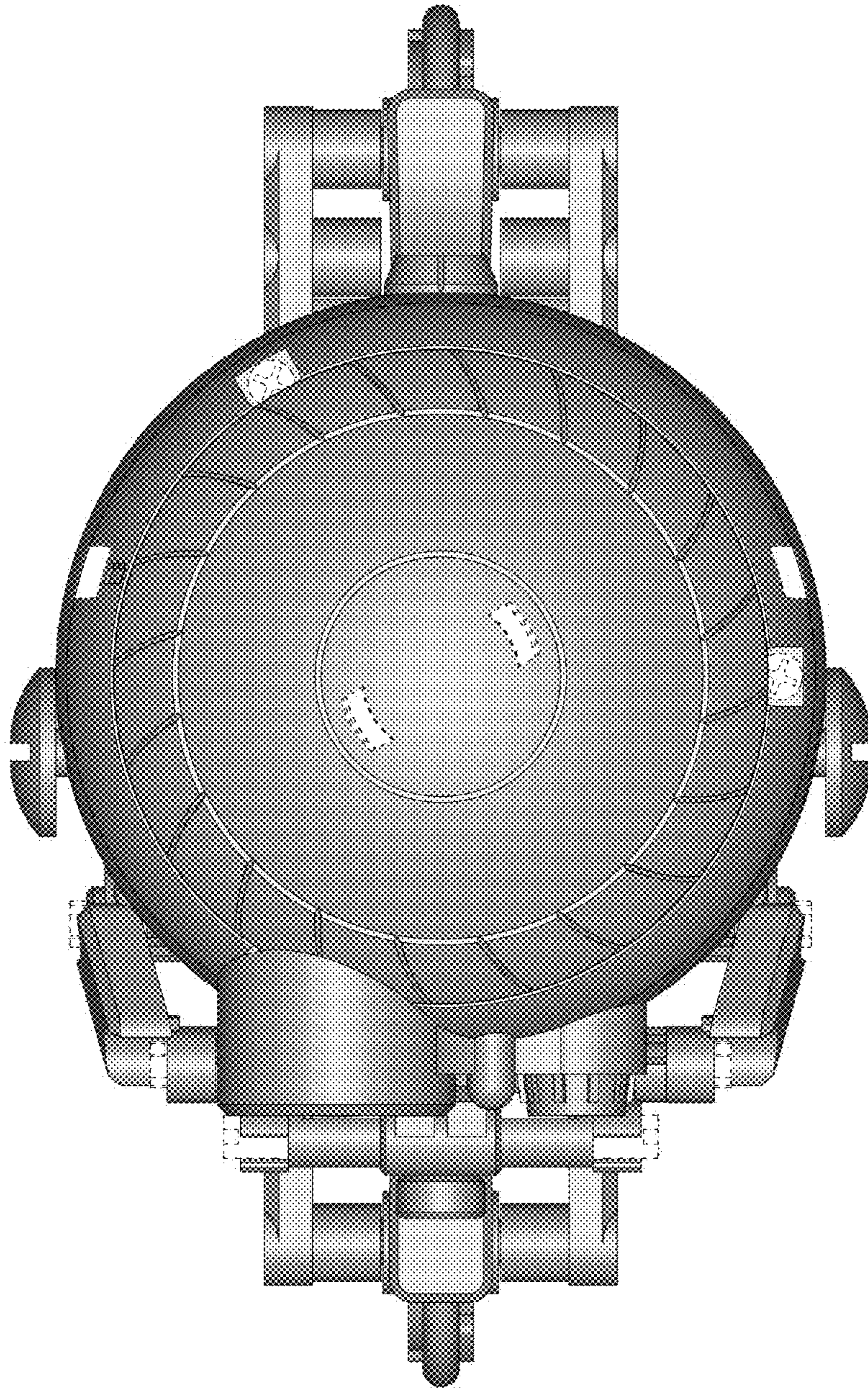


FIG.9

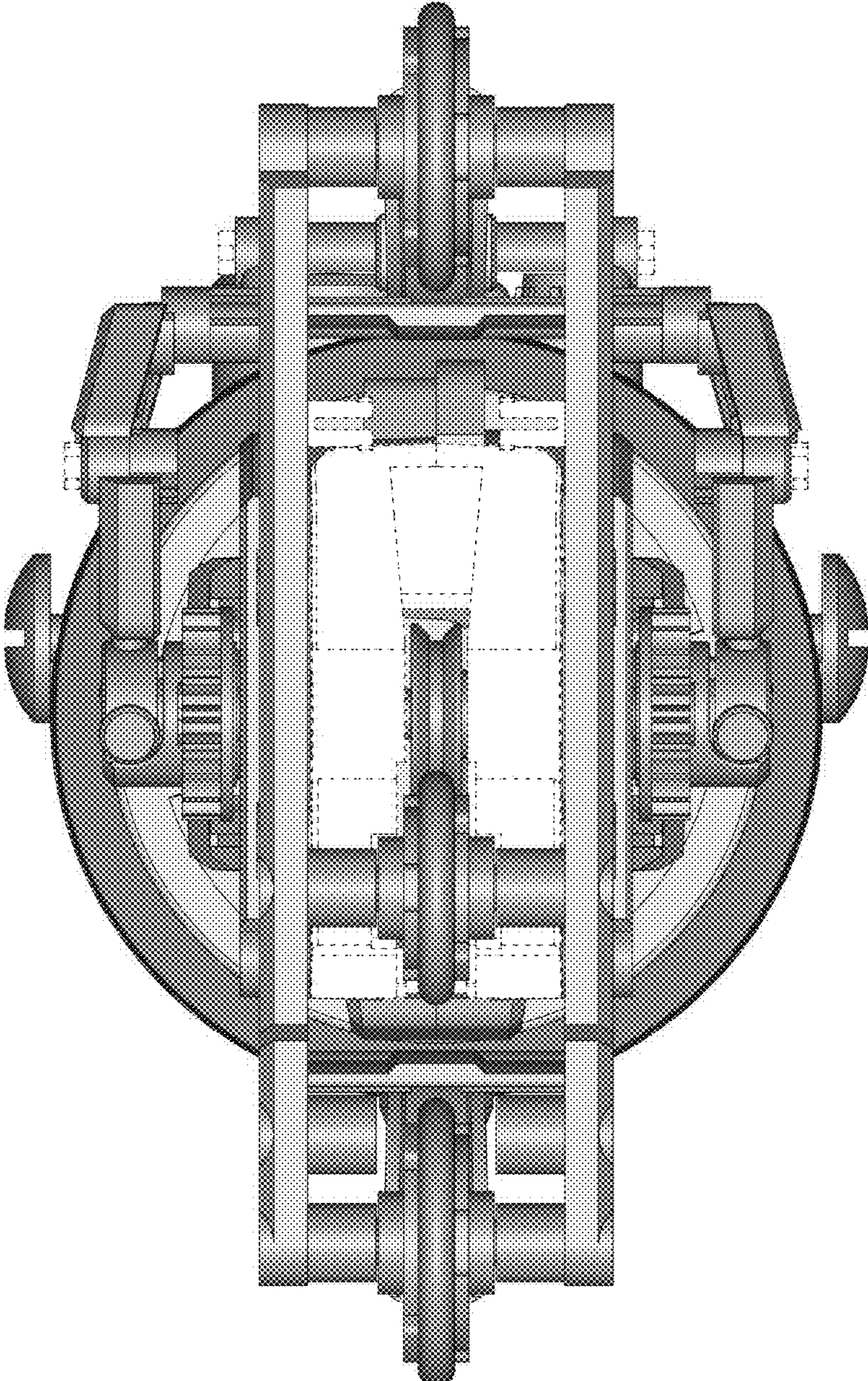


FIG. 10