



US00D962353S

(12) **United States Design Patent**
Cai

(10) **Patent No.:** **US D962,353 S**

(45) **Date of Patent:** **** Aug. 30, 2022**

(54) **MARBLE RUN TOY**

(71) Applicant: **Jinfeng Cai**, Guangdong (CN)

(72) Inventor: **Jinfeng Cai**, Guangdong (CN)

(**) Term: **15 Years**

(21) Appl. No.: **29/774,972**

(22) Filed: **Mar. 19, 2021**

(51) **LOC (13) Cl.** **21-01**

(52) **U.S. Cl.**

USPC **D21/456**

(58) **Field of Classification Search**

USPC D21/475, 456, 461, 398, 468, 564, 455,
D21/459, 460

CPC A63H 13/00; A63H 15/00; A63H 15/02;
A63H 18/00; A63H 18/02; A63H 18/04;
A63H 18/026; A63H 29/08; A63H 33/08;
A63F 9/001; A63F 7/3622; A63F 7/28;
A63F 9/00; A63F 2007/3662

See application file for complete search history.

(56) **References Cited**

U.S. PATENT DOCUMENTS

3,726,476	A *	4/1973	Porter	A63H 18/04 238/10 E
4,091,561	A *	5/1978	Kimura	A63H 18/04 238/10 C
4,109,410	A *	8/1978	Saitoh	A63H 18/04 446/178
4,357,778	A *	11/1982	Matsumoto	A63H 18/04 446/444
D290,028	S *	5/1987	Wichman	D21/565
D290,143	S *	6/1987	Wichman	D21/564
4,713,038	A *	12/1987	Wichman	A63F 7/3622 446/168
4,928,955	A *	5/1990	Chuan	A63H 18/06 472/7
4,932,917	A *	6/1990	Klitsner	A63F 7/3622 446/168

5,312,285	A *	5/1994	Rieber	A63F 7/3622 273/109
5,441,435	A *	8/1995	Shiraishi	A63H 18/025 446/446
5,890,945	A *	4/1999	Asami	A63H 18/04 446/228
D457,198	S *	5/2002	Yamazaki	D21/456

(Continued)

OTHER PUBLICATIONS

Miniland Roll and pop Tower. Date First Available: Nov. 28, 2019.
Retrieved from internet: <<https://www.amazon.co.uk/Miniland-Roll-pop-Tower-97283/dp/B07NTSM1PP/>> [site visited Jun. 1, 2022]
(Year: 2019).*

(Continued)

Primary Examiner — Katherine Glennon

Assistant Examiner — Yuan Yuan

(74) *Attorney, Agent, or Firm* — ScienBiziP, P.C.

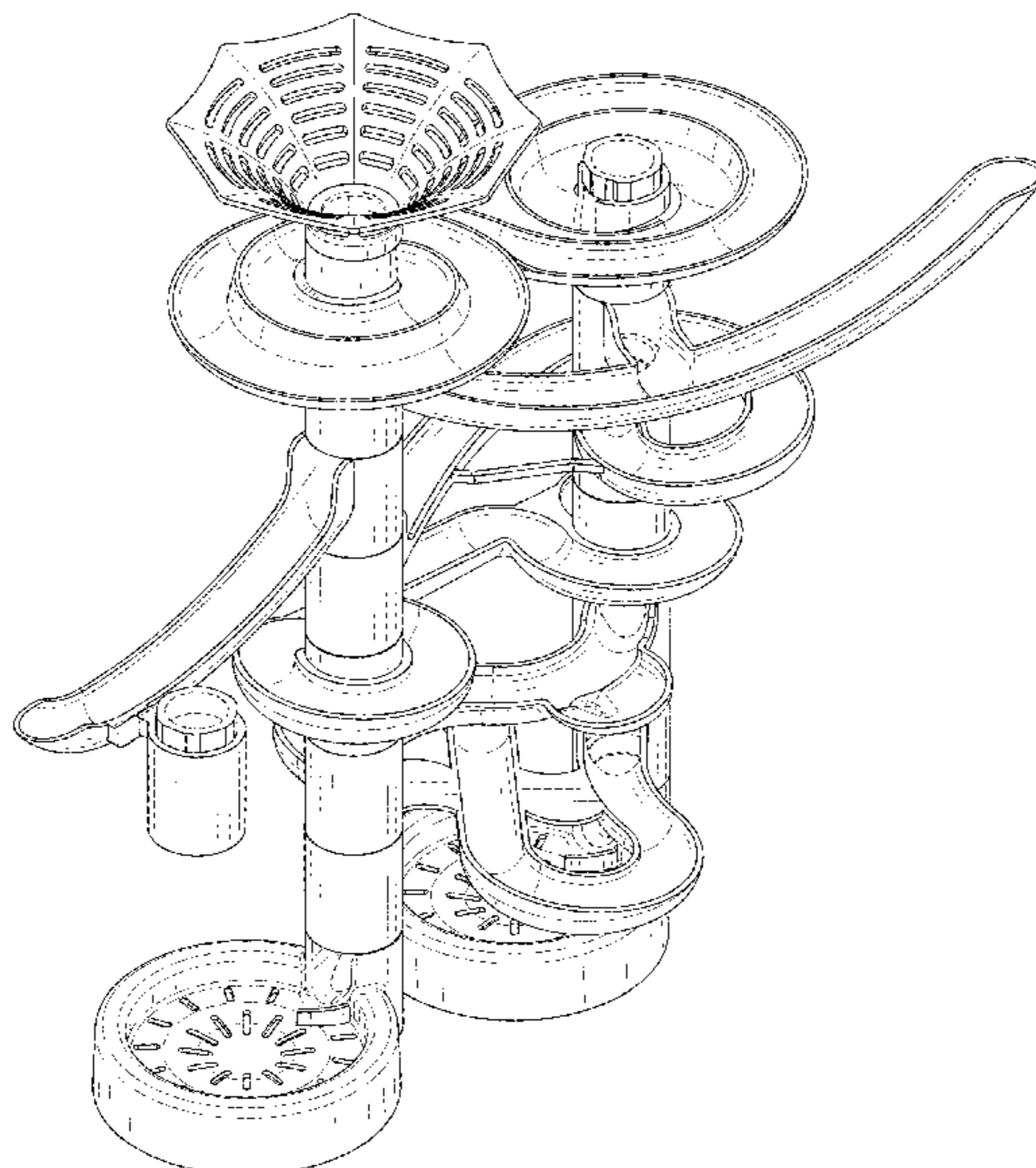
(57) **CLAIM**

The ornamental design for a marble run toy, as shown and described.

DESCRIPTION

FIG. 1 is a front, left, and top perspective view of a marble run toy, showing my design.
FIG. 2 is a rear, right, and bottom perspective view thereof.
FIG. 3 is a front elevation view thereof.
FIG. 4 is a rear elevation view thereof.
FIG. 5 is a left side elevation view thereof.
FIG. 6 is a right side elevation view thereof.
FIG. 7 is a top plan view thereof.
FIG. 8 is a bottom plan view thereof; and,
FIG. 9 is an exploded view thereof.
The broken lines shown in the drawings are included for the purpose of illustrating portions of the marble run toy that form no part of the claimed design.

1 Claim, 9 Drawing Sheets



(56)

References Cited

U.S. PATENT DOCUMENTS

D492,736 S * 7/2004 Kato D21/456
8,628,373 B2 * 1/2014 Payne A63H 18/00
446/14
2014/0256220 A1 * 9/2014 Lennon A63H 18/02
446/444
2016/0310857 A1 * 10/2016 Effler A63H 18/02
2021/0245038 A1 * 8/2021 Forgrave A63F 7/28

OTHER PUBLICATIONS

50Pcs Marble Run Set Building Blocks. Date First Available: Sep. 13, 2021. Retrieved from internet: <<https://www.amazon.co.uk/dp/B09G2WR3VQ/?th=1>> [site visited Jun. 1, 2022] (Year: 2021).*

* cited by examiner

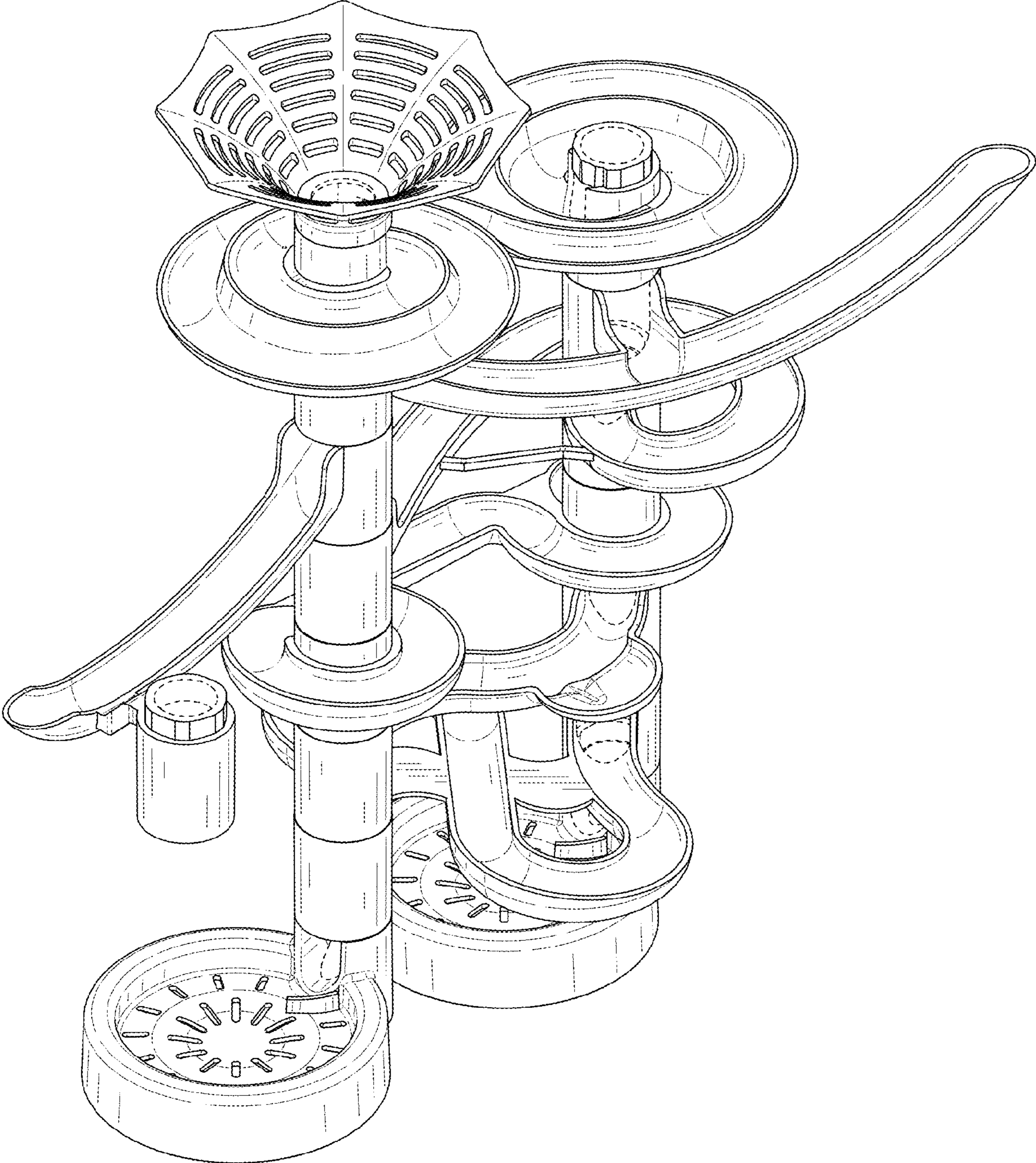


FIG. 1

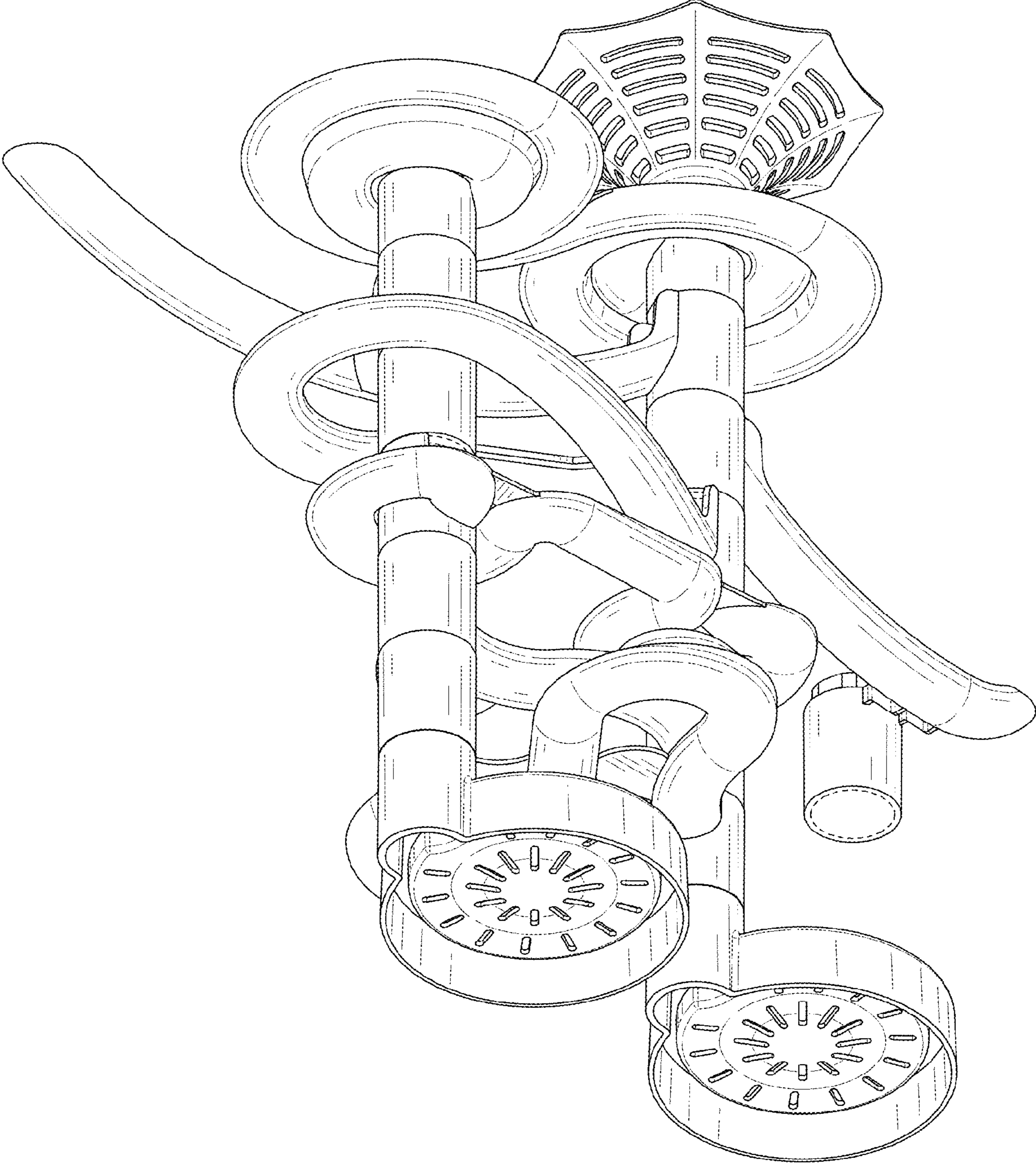


FIG. 2

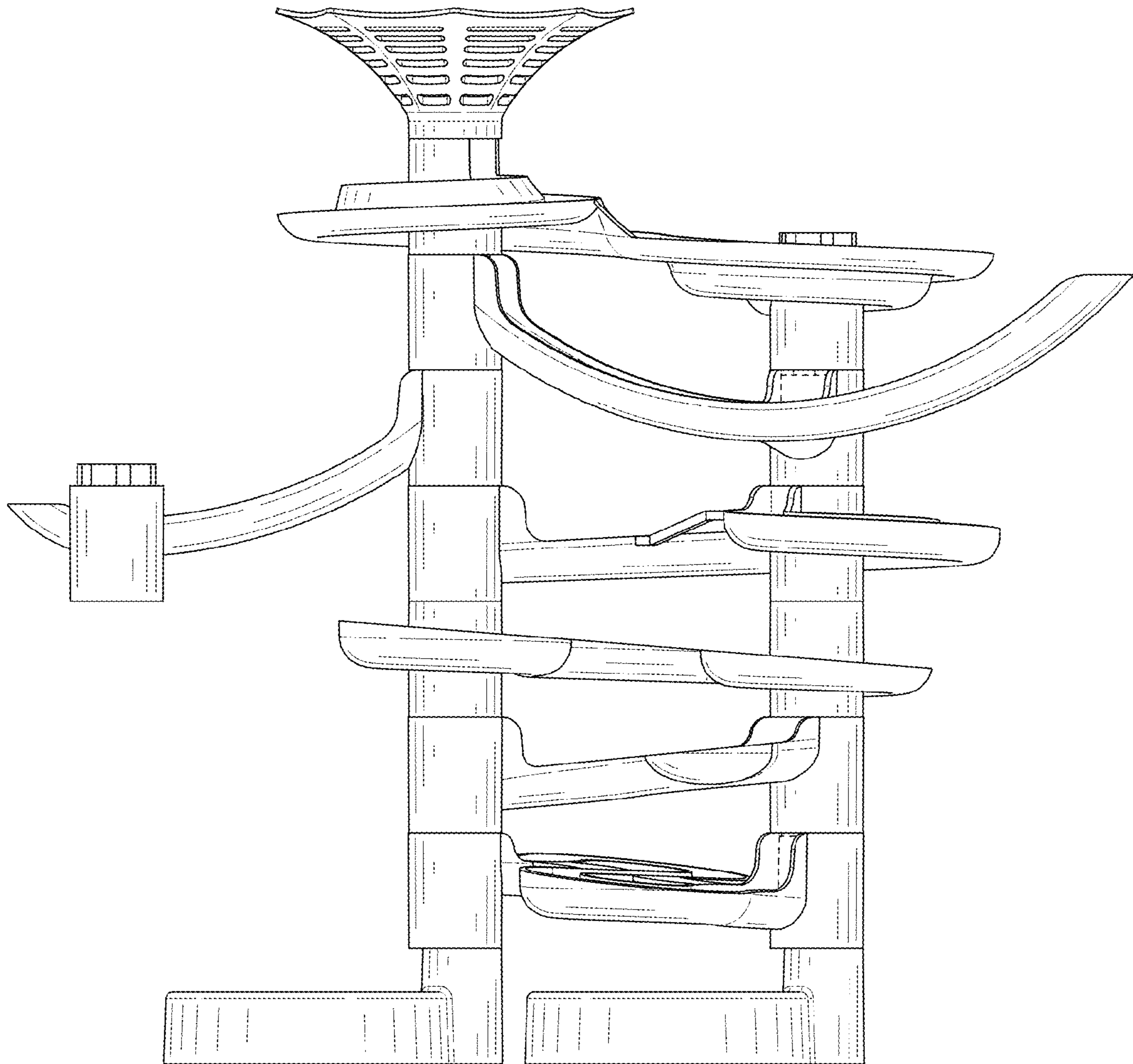


FIG. 3

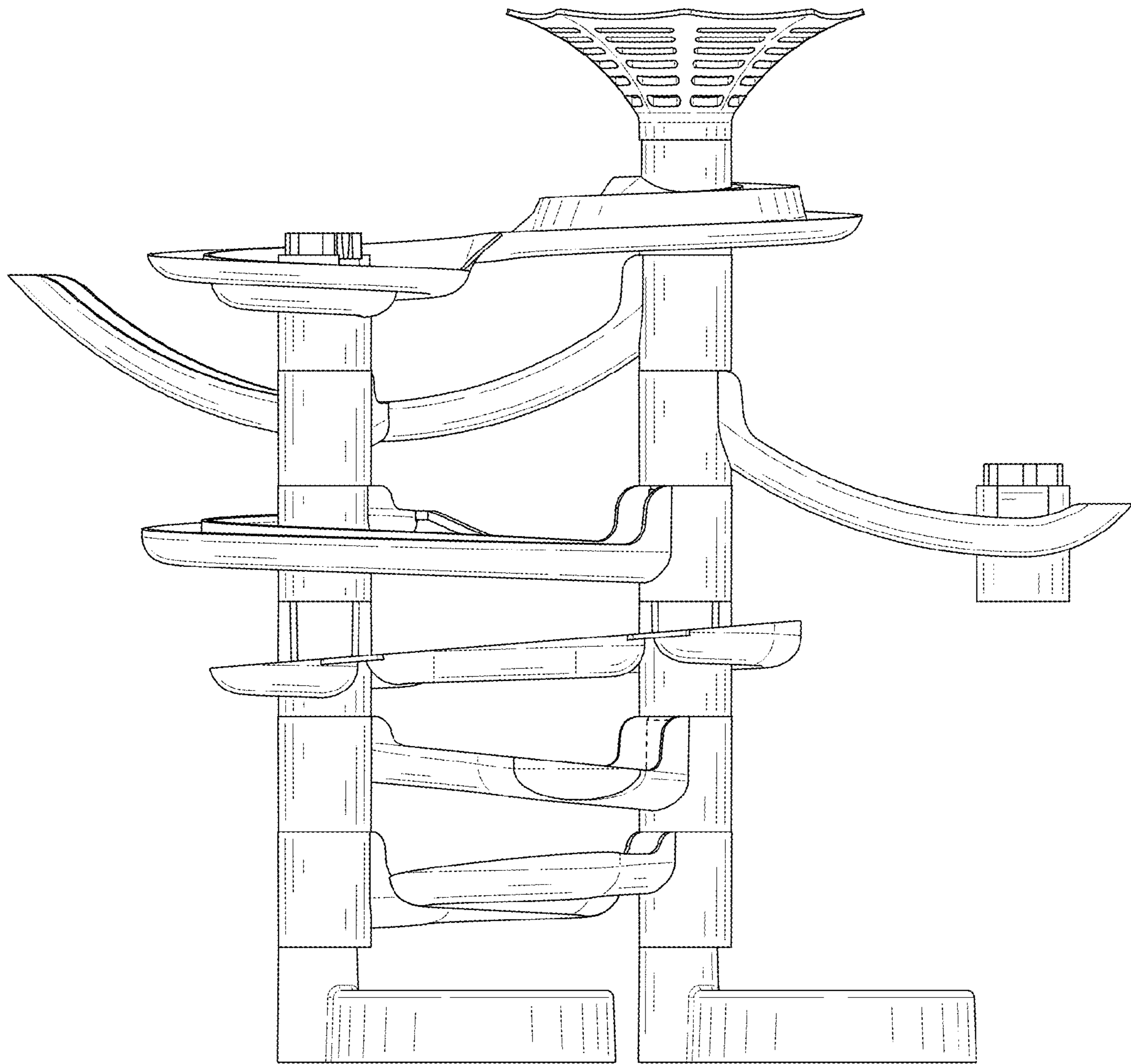


FIG. 4

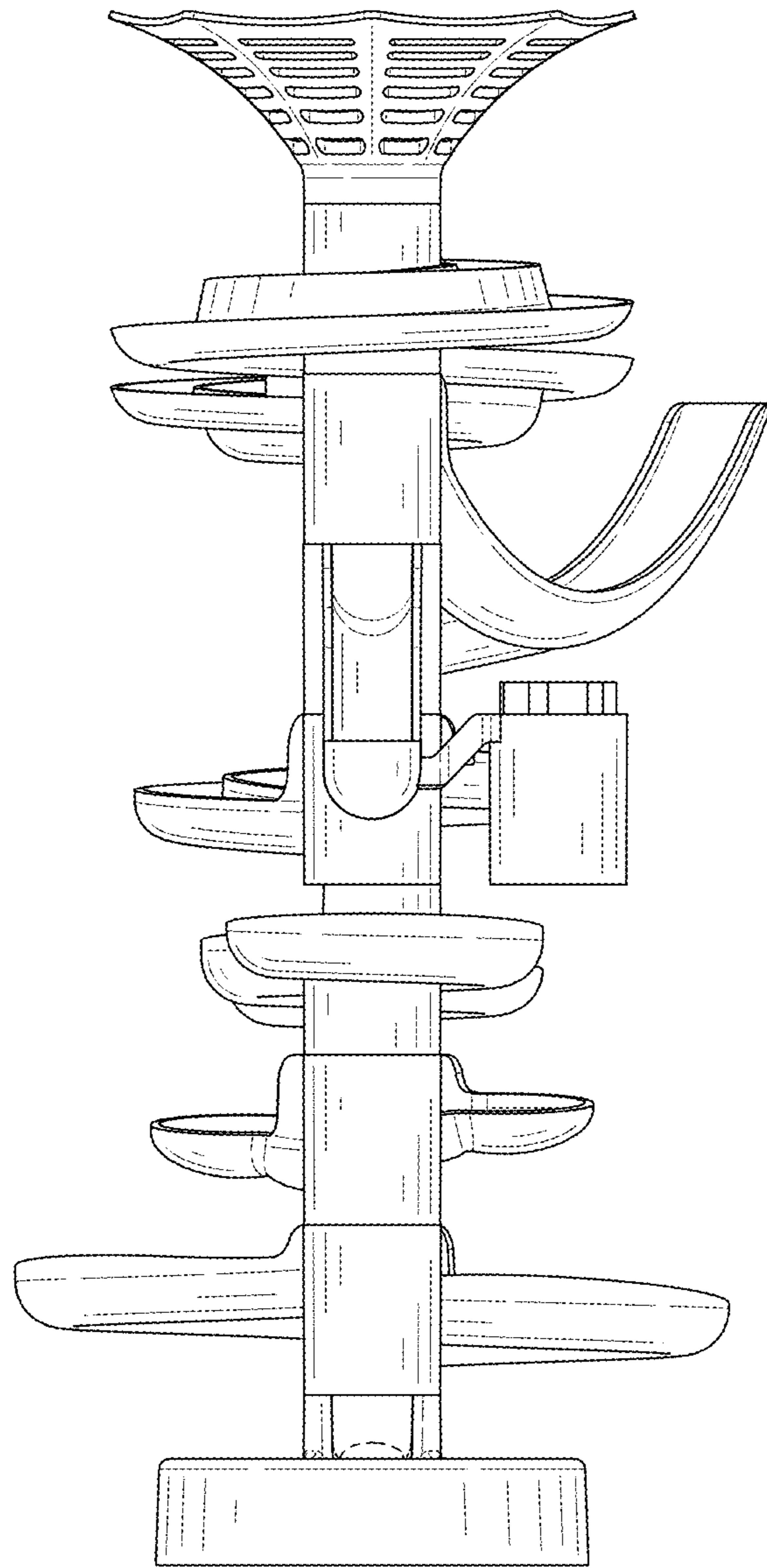


FIG. 5

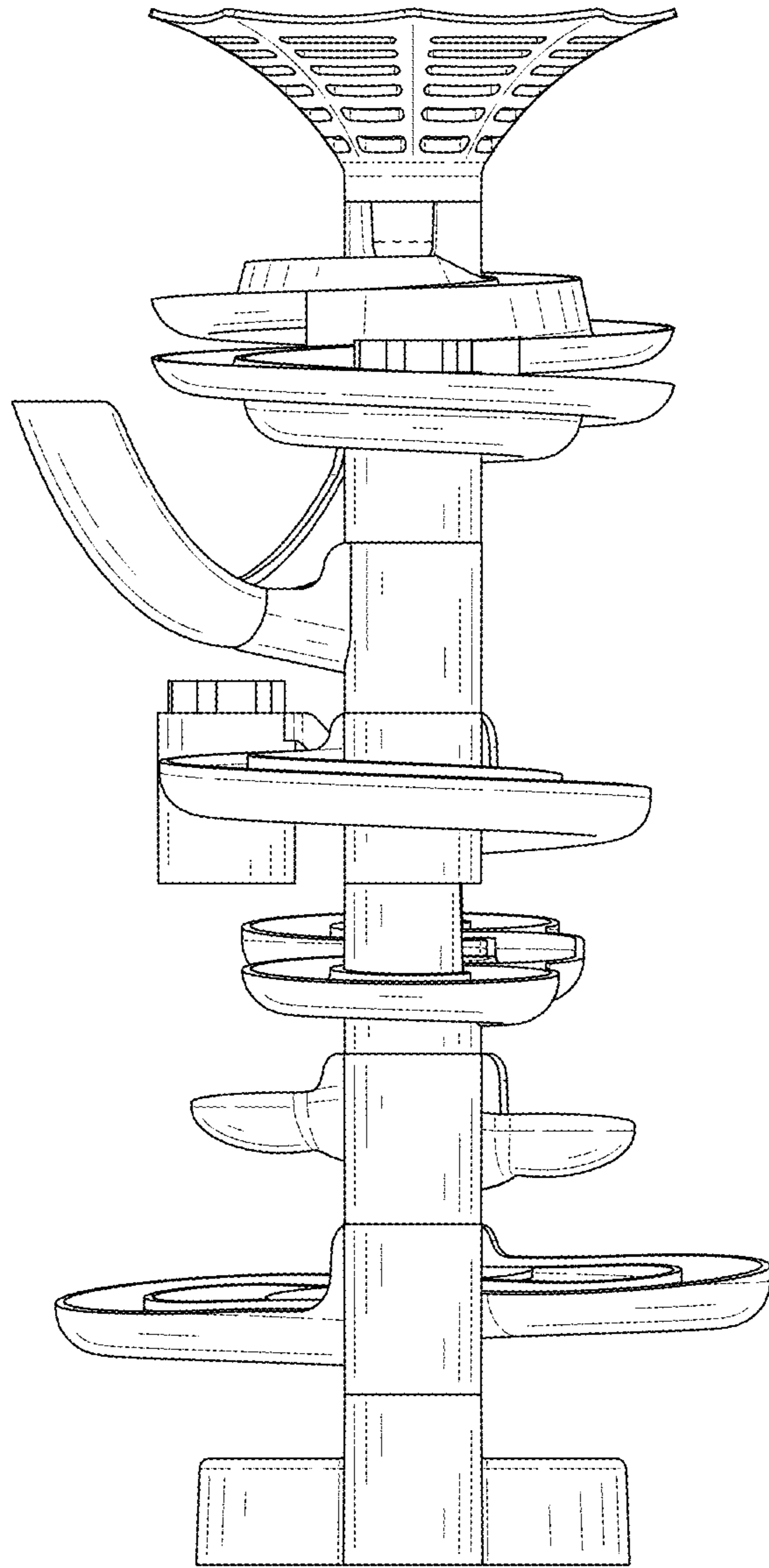


FIG. 6

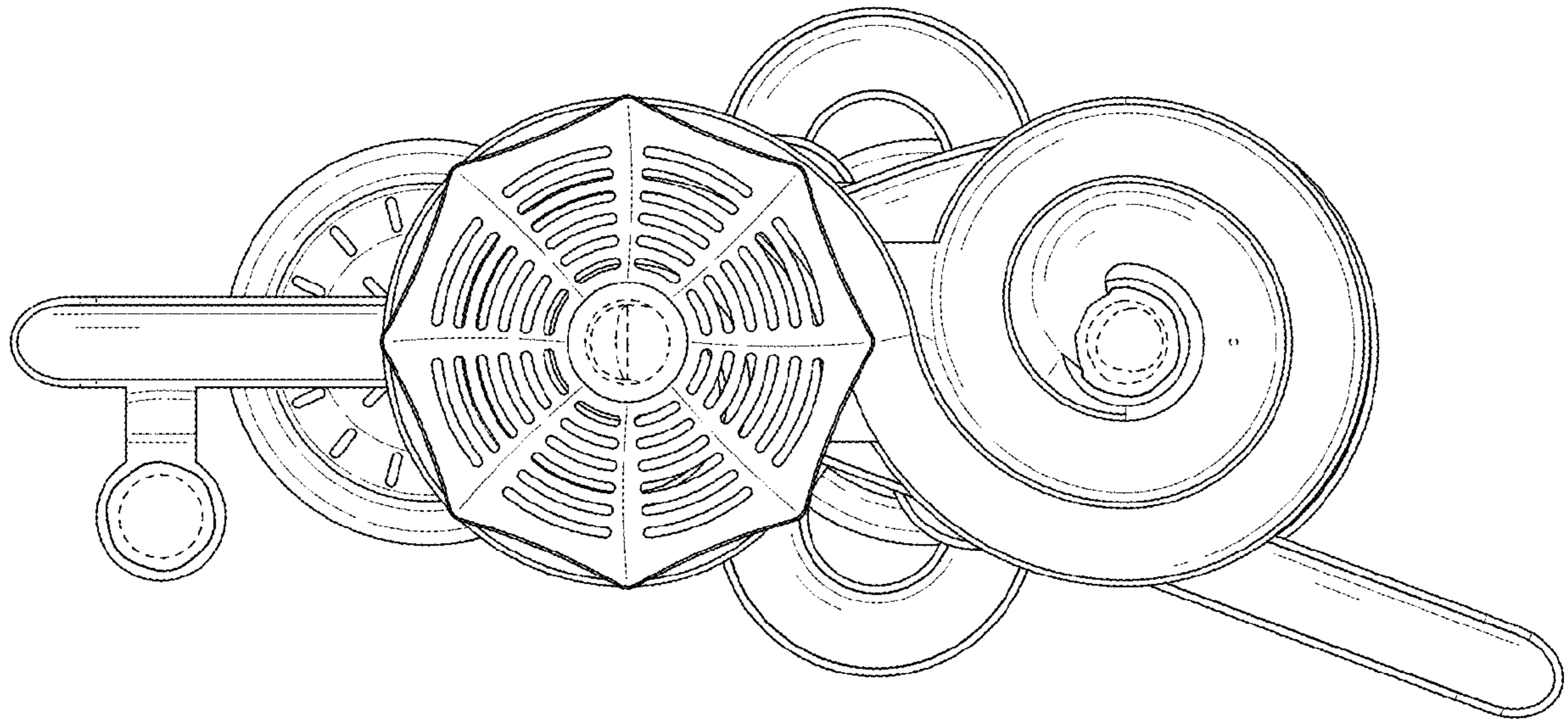


FIG. 7

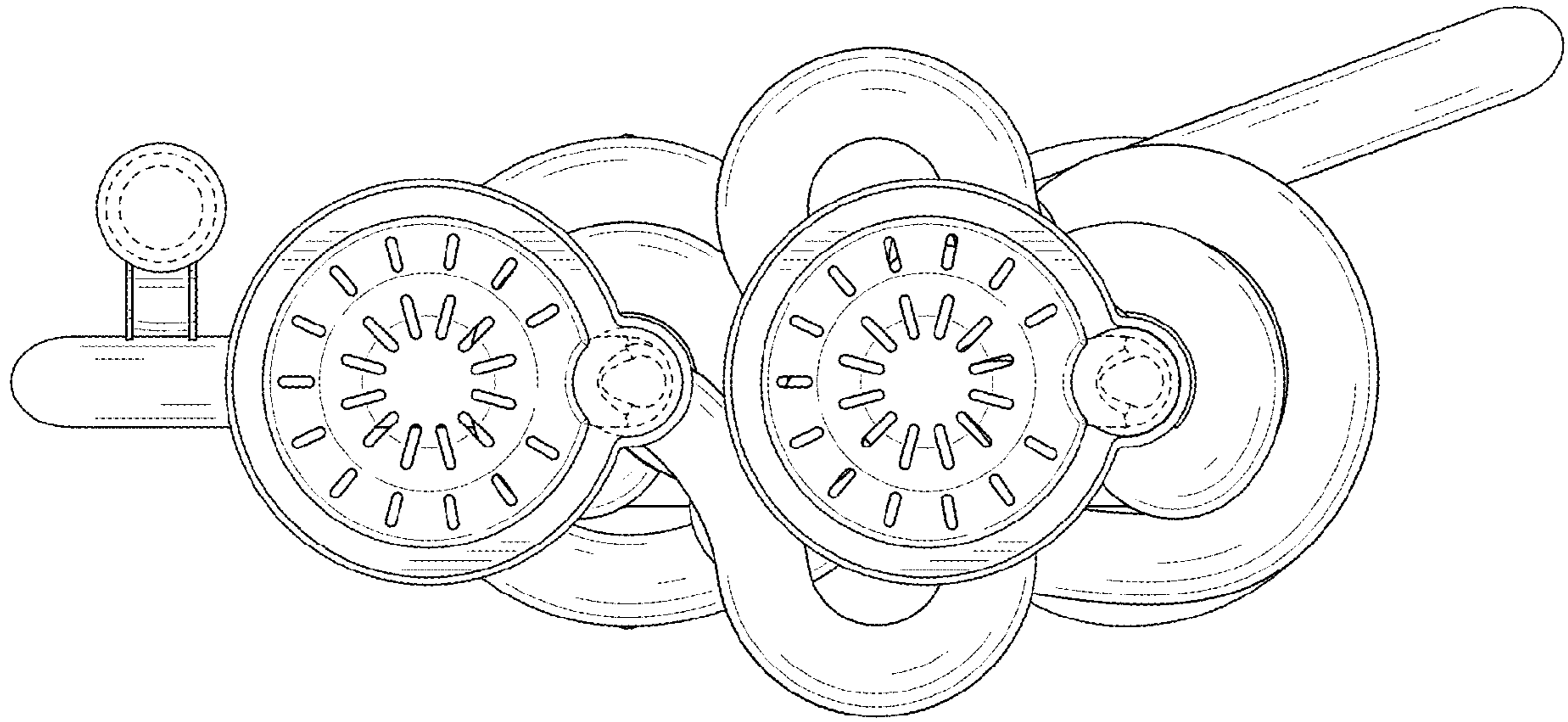


FIG. 8

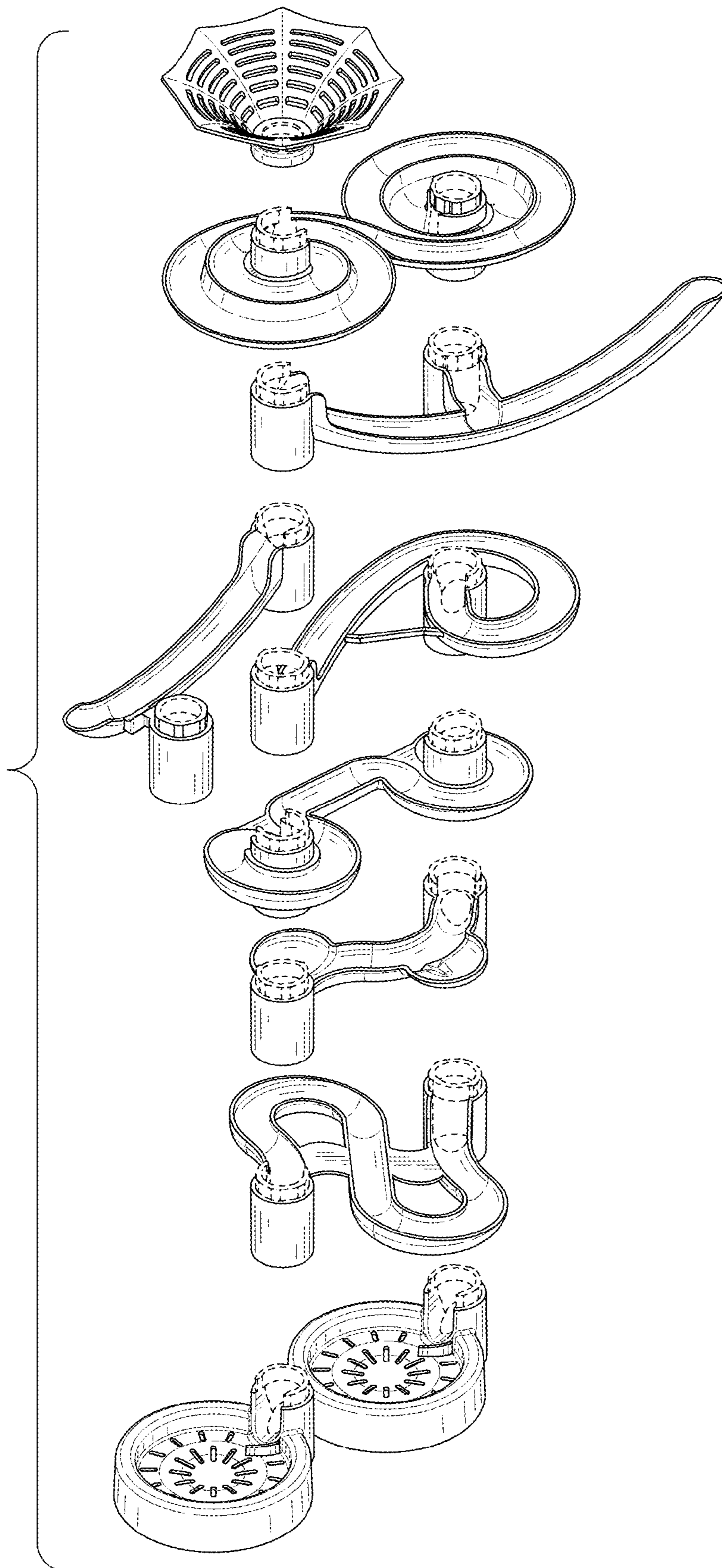


FIG. 9