

US00D962352S

(12) **United States Design Patent** (10) **Patent No.:** **US D962,352 S**
Davis (45) **Date of Patent:** **** Aug. 30, 2022**

- (54) **BALLOON MANIFOLD**
- (71) Applicant: **Kacie Michelle Davis**, Anaheim, CA (US)
- (72) Inventor: **Kacie Michelle Davis**, Anaheim, CA (US)
- (**) Term: **15 Years**
- (21) Appl. No.: **29/752,431**
- (22) Filed: **Sep. 27, 2020**
- (51) **LOC (13) Cl.** **21-01**
- (52) **U.S. Cl.**
USPC **D21/453**
- (58) **Field of Classification Search**
USPC D12/1-4, 16.1, 319-345; D21/436-454; D24/130, 141
CPC B64C 39/024; B64C 13/16; B64C 19/00; B64C 2201/021; B64C 2201/141; B64H 1/3442; B01L 3/02
See application file for complete search history.

(56) **References Cited**

U.S. PATENT DOCUMENTS

1,703,463	A *	2/1929	Weigel	A63H 27/10 446/224
2,922,252	A *	1/1960	Van Dam	A63H 27/10 446/221
5,127,867	A	7/1992	Lau		
D439,378	S *	3/2001	Loomis	D30/160
D441,925	S *	5/2001	Flynn	D30/160
D583,419	S *	12/2008	Montgomery, Sr.	D21/385
D709,560	S *	7/2014	Baumann	D21/407
D709,964	S *	7/2014	Baumann	D21/407
8,789,565	B1	7/2014	Wicken		
9,051,066	B1	6/2015	Malone		

D739,474	S *	9/2015	Wicken	D21/453
D821,502	S *	6/2018	Mason	D21/453
D934,350	S *	10/2021	Mason	D21/453
2008/0121309	A1	5/2008	Boise et al.		
2017/0255809	A1	8/2017	Kamhi et al.		

* cited by examiner

Primary Examiner — John A Voytek

(74) *Attorney, Agent, or Firm* — Kirk A. Buhler; Buhler & Associates Patenting

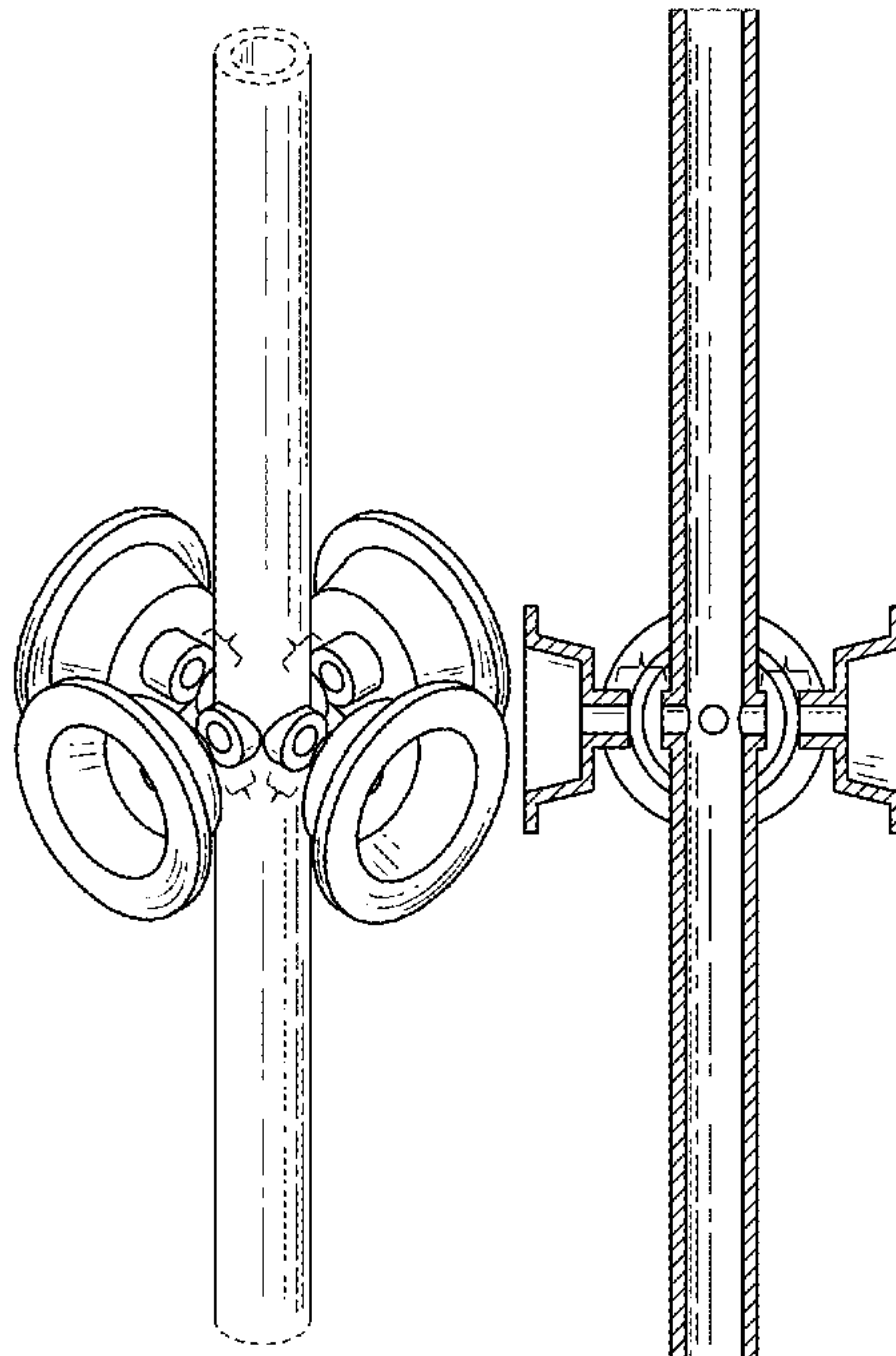
(57) **CLAIM**

The ornamental design for a balloon manifold, as shown and described.

DESCRIPTION

FIG. 1 is a top perspective view of a balloon manifold, showing my new design;
 FIG. 2 is a front elevation view the rear elevation view, left side elevation view, the right-side elevation view being essentially the same view thereof;
 FIG. 3 is a right-side sectional view taken along lines 3-3 from FIG. 2 thereof;
 FIG. 4 is a top plan view, the bottom view being a mirror image thereof;
 FIG. 5 is a bottom sectional view taken along lines 5-5 from FIG. 2 thereof;
 FIG. 6 is another top perspective view thereof; and,
 FIG. 7 is reduced scale bottom perspective view in an environment of use.
 The broken lines in FIGS. 1, 2, 3, 6 and 7 depict environmental subject matter of and form no part of the claimed design.
 The claimed design is shown with symbolic breaks, the appearance of any portion of the article between the break lines forms no part of the claimed design.

1 Claim, 5 Drawing Sheets



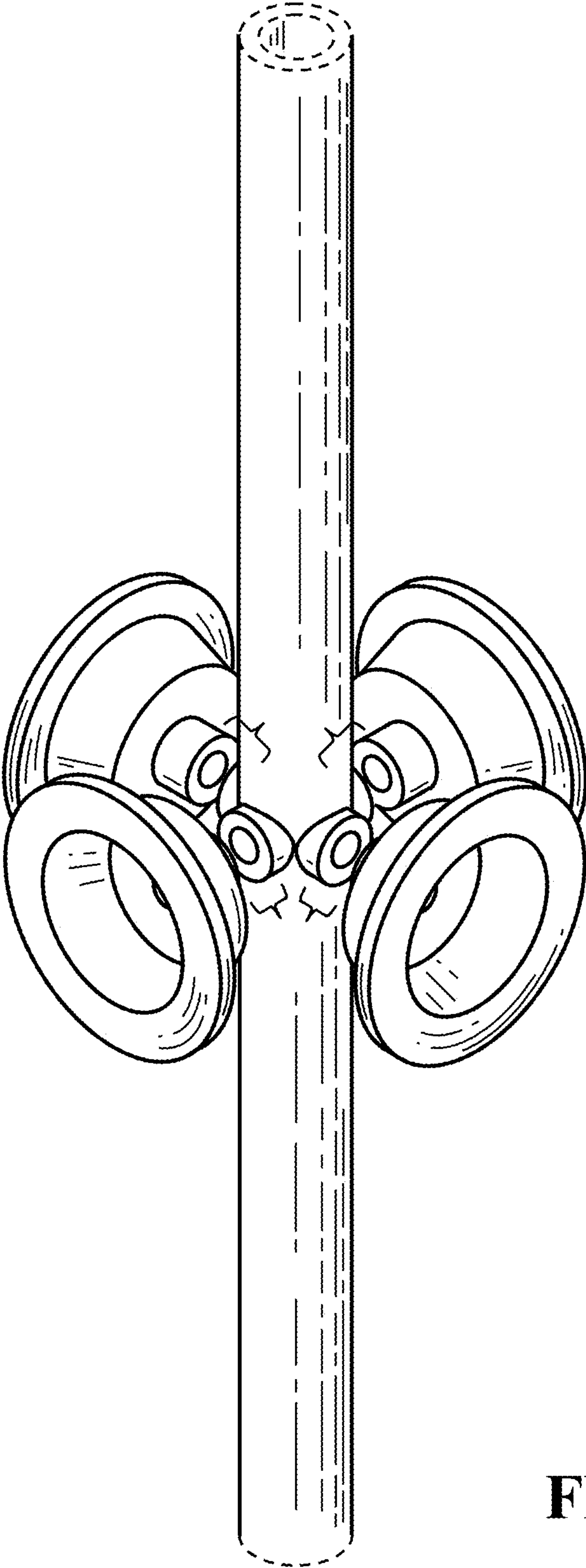


FIG. 1

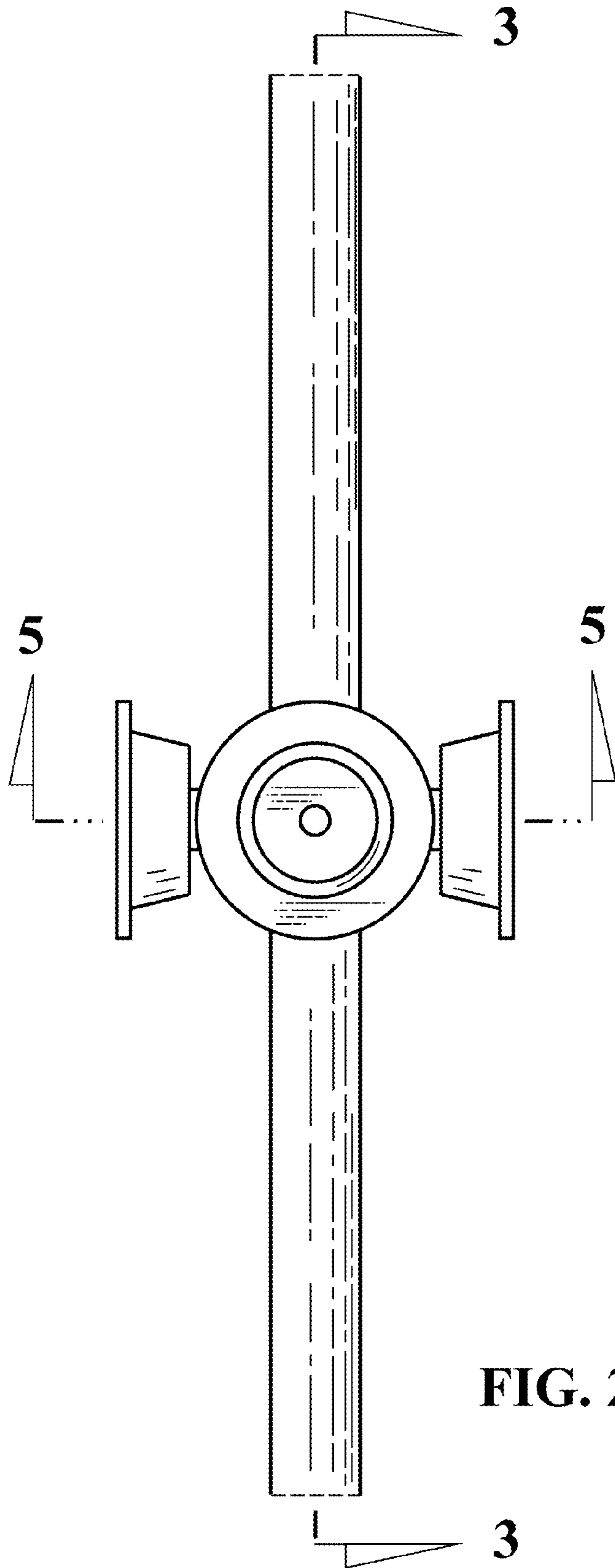


FIG. 2

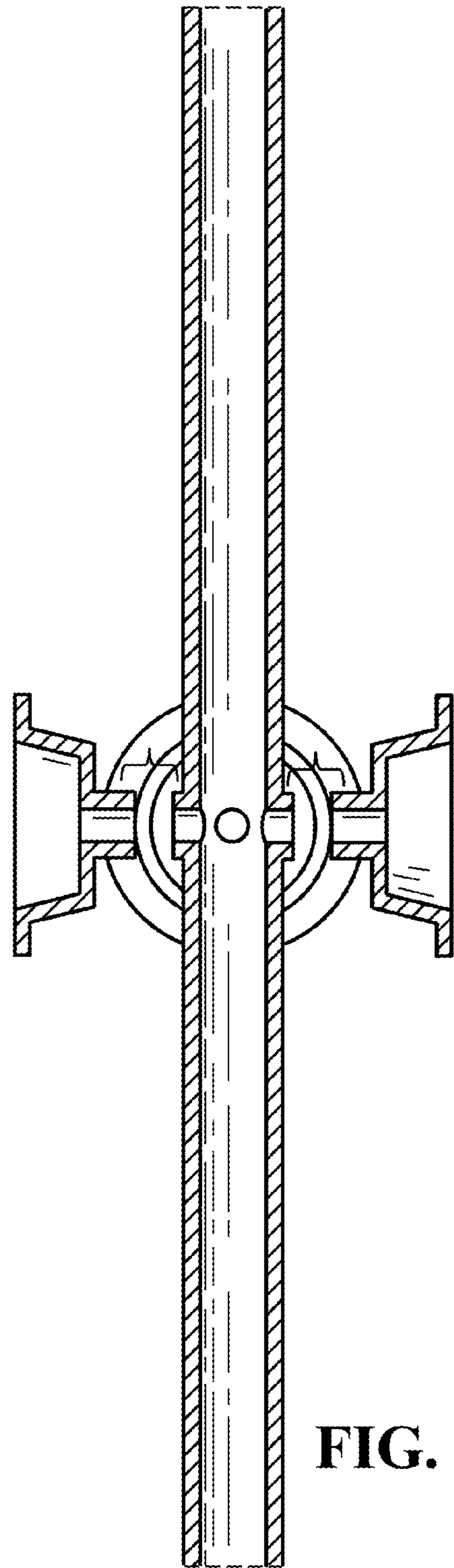


FIG. 3

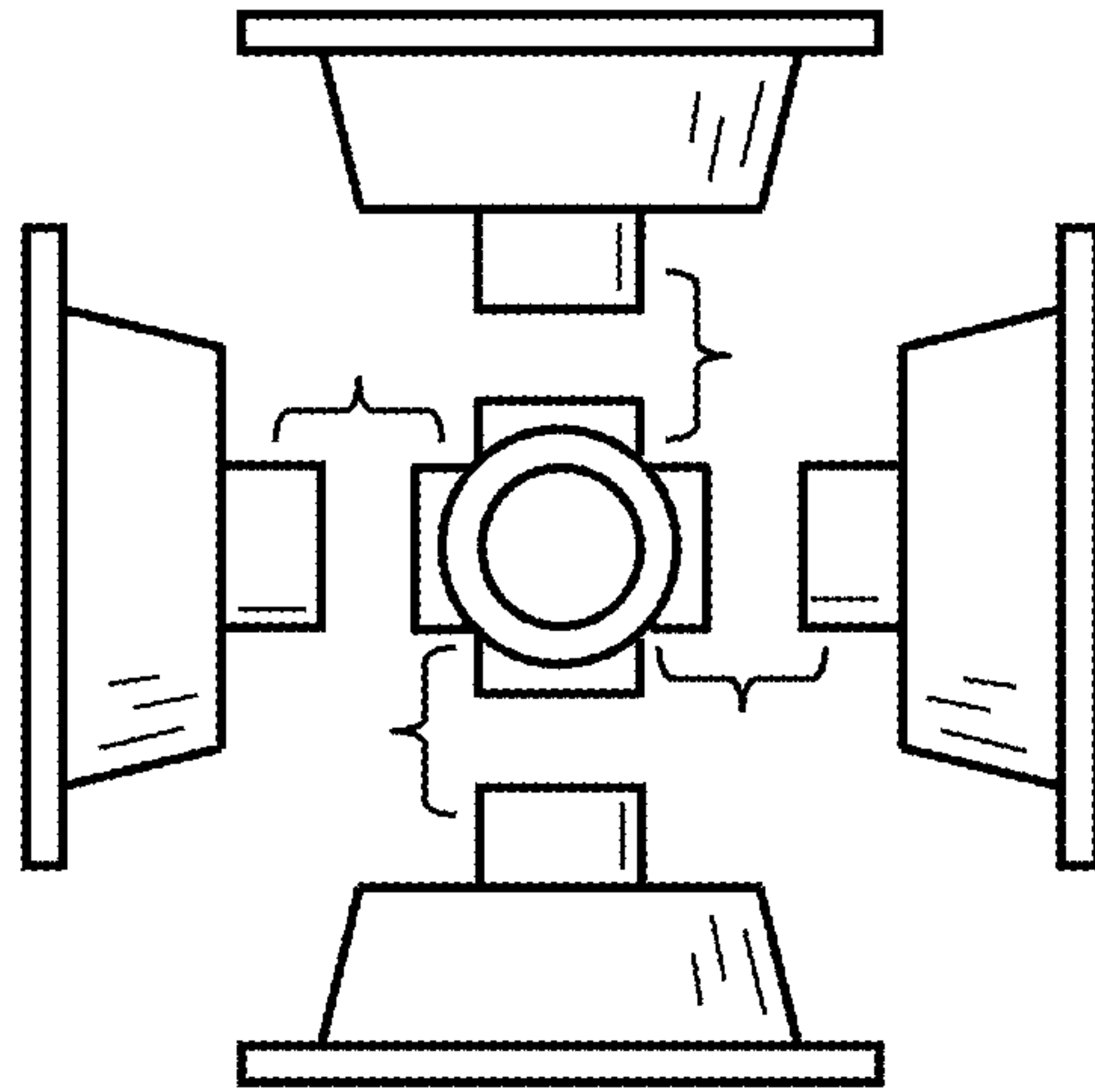


FIG. 4

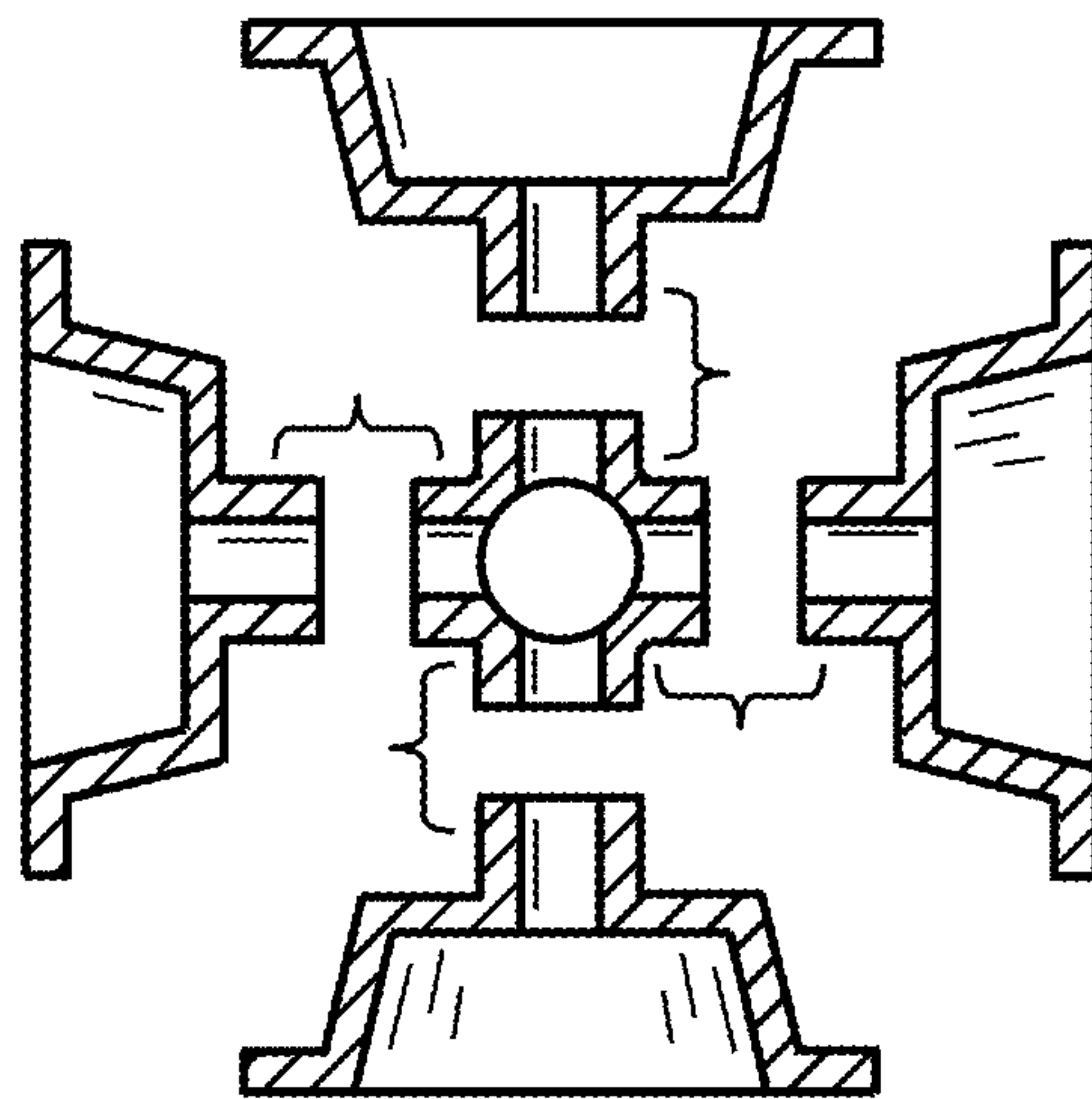


FIG. 5

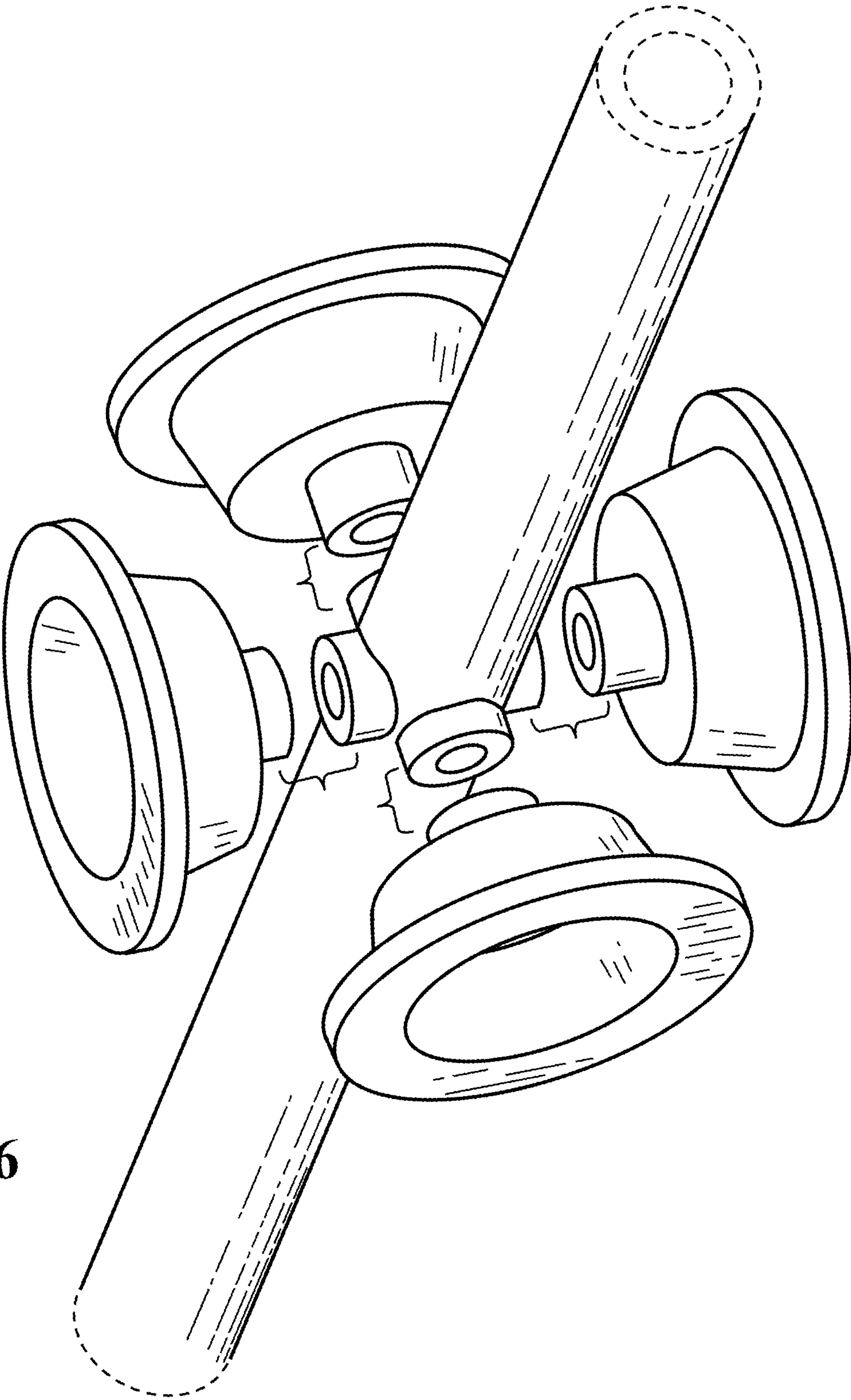


FIG. 6

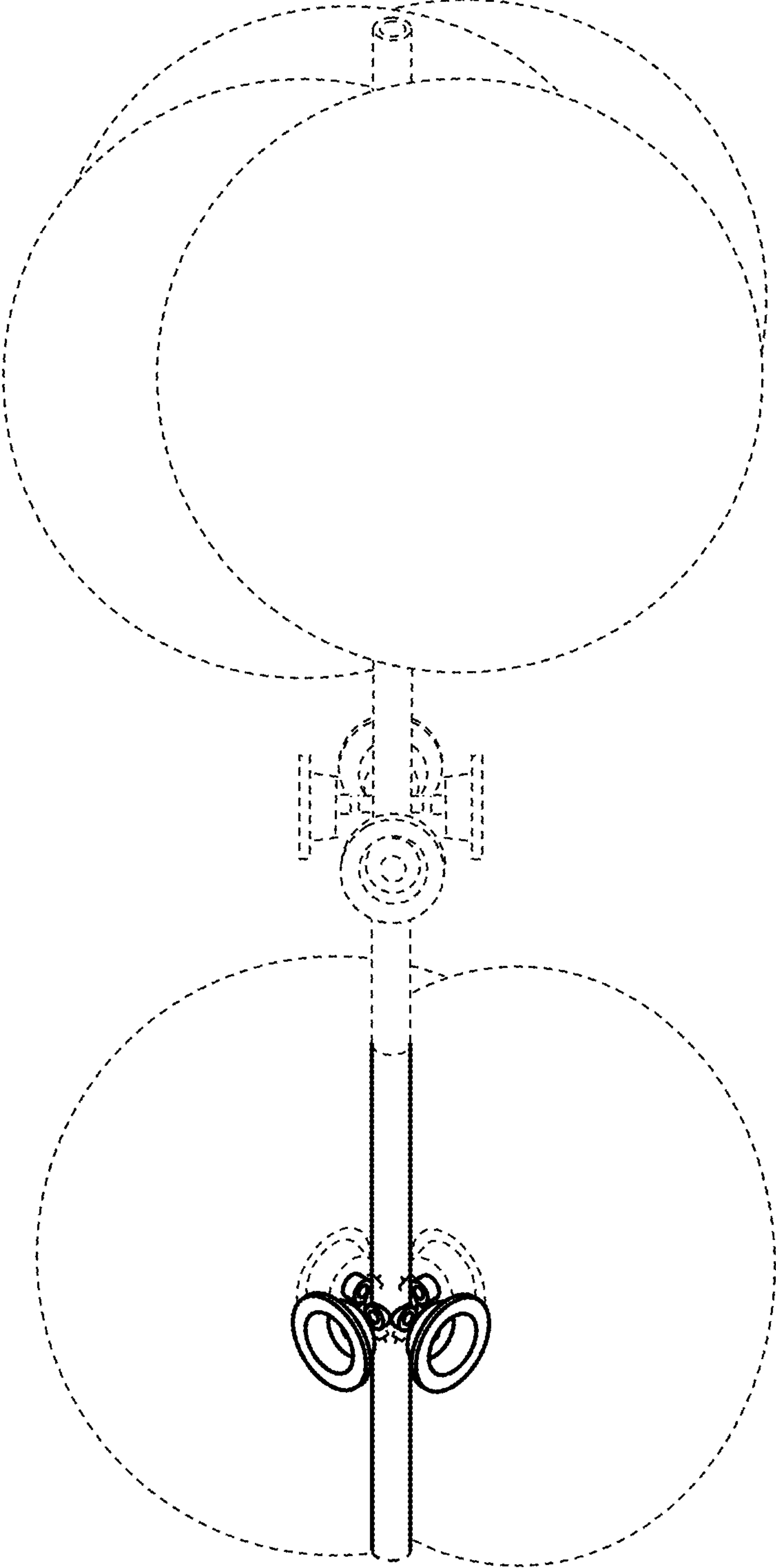


FIG. 7