



US00D962349S

(12) **United States Design Patent**  
**Gao**

(10) **Patent No.:** **US D962,349 S**

(45) **Date of Patent:** **\*\* Aug. 30, 2022**

(54) **TOY BUBBLE GUN**

(71) Applicant: **Huankai Gao**, Shantou (CN)

(72) Inventor: **Huankai Gao**, Shantou (CN)

(\*\*) Term: **15 Years**

(21) Appl. No.: **29/816,920**

(22) Filed: **Nov. 26, 2021**

(30) **Foreign Application Priority Data**

Nov. 16, 2021 (CN) ..... 202130750237.2

(51) **LOC (13) Cl.** ..... **21-01**

(52) **U.S. Cl.**  
USPC ..... **D21/401**

(58) **Field of Classification Search**  
USPC ..... D21/398, 401, 402, 405, 455, 468, 483,  
D21/513, 514, 516, 523, 525, 526, 528,  
D21/532; D23/308, 332, 337, 370, 376,  
D23/379, 382, 383; 446/15, 16, 20, 484,  
446/487, 491  
CPC ..... A63H 33/28; A63H 29/22  
See application file for complete search history.

(56) **References Cited**

**U.S. PATENT DOCUMENTS**

D453,197 S *	1/2002	Hornsby	.....	D21/401
6,953,376 B1 *	10/2005	Kim	.....	A63H 33/28 446/175
D674,026 S	1/2013	Roos et al.		
D735,275 S *	7/2015	Krivulin	.....	D21/401
D761,365 S	7/2016	Champ		
D867,466 S *	11/2019	Thai	.....	D21/401
D896,895 S *	9/2020	Yang	.....	D21/401
D896,896 S *	9/2020	Lee	.....	D21/401
D955,496 S *	6/2022	Cai	.....	D21/572
2004/0259458 A1 *	12/2004	Fusco	.....	A63H 33/28 446/15
2005/0148276 A1 *	7/2005	LaFata	.....	A63H 33/26 446/18

2006/0199463 A1 *	9/2006	Thai	.....	A63H 33/28 446/15
2009/0149107 A1 *	6/2009	Thai	.....	A63H 33/28 446/15
2012/0214378 A1 *	8/2012	Lo	.....	A63H 33/28 446/15
2014/0141688 A1 *	5/2014	Kelly	.....	A63H 33/28 446/15
2014/0273708 A1 *	9/2014	Chen	.....	A63H 33/28 446/15
2020/0155957 A1 *	5/2020	Clayton	.....	A63H 33/28

**OTHER PUBLICATIONS**

“Bubble Gun” Posted Apr. 28, 2022[Online],[retrieved Jul. 8, 2022], Retrieved from Internet: [https://www.amazon.com/69-Hole-Outdoor-Activity-Electric-Automatic/dp/B09TS744YK/ref=cm\\_cr\\_arp\\_d\\_product\\_top?ie=UTF8](https://www.amazon.com/69-Hole-Outdoor-Activity-Electric-Automatic/dp/B09TS744YK/ref=cm_cr_arp_d_product_top?ie=UTF8).\*

\* cited by examiner

*Primary Examiner* — Mehri F Bajoul  
(74) *Attorney, Agent, or Firm* — True Shepherd LLC;  
Andrew C. Cheng

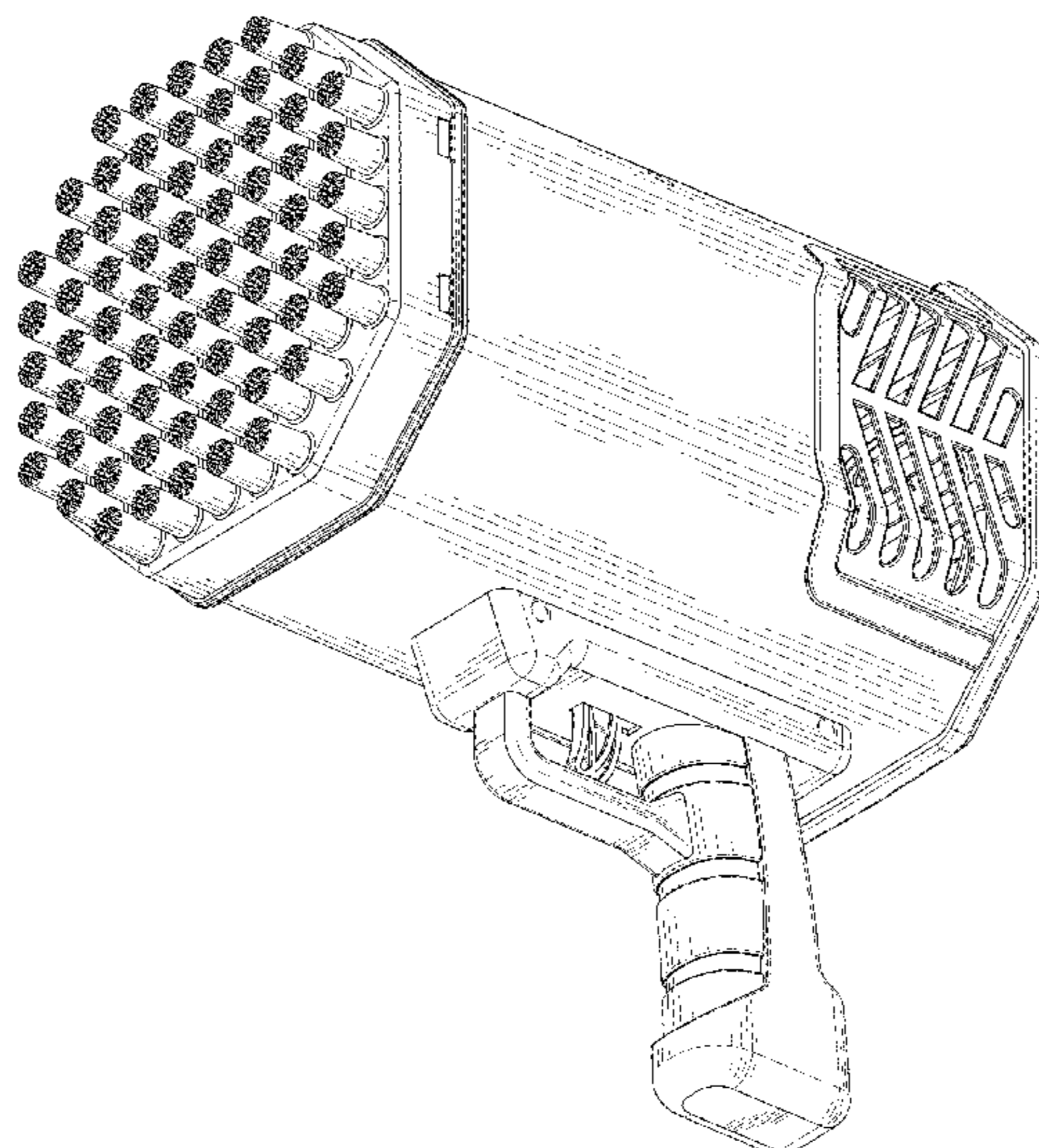
(57) **CLAIM**

The ornamental design for a toy bubble gun, as shown and described.

**DESCRIPTION**

FIG. 1 is a perspective view of a toy bubble gun showing my new design;  
FIG. 2 is another perspective view thereof;  
FIG. 3 is a front view thereof;  
FIG. 4 is a rear view thereof;  
FIG. 5 is a left side view thereof;  
FIG. 6 is a right side view thereof;  
FIG. 7 is a top plan view thereof; and,  
FIG. 8 is a bottom plan view thereof.  
The broken lines depict portions of the toy bubble gun and form no part of the claimed design.

**1 Claim, 8 Drawing Sheets**



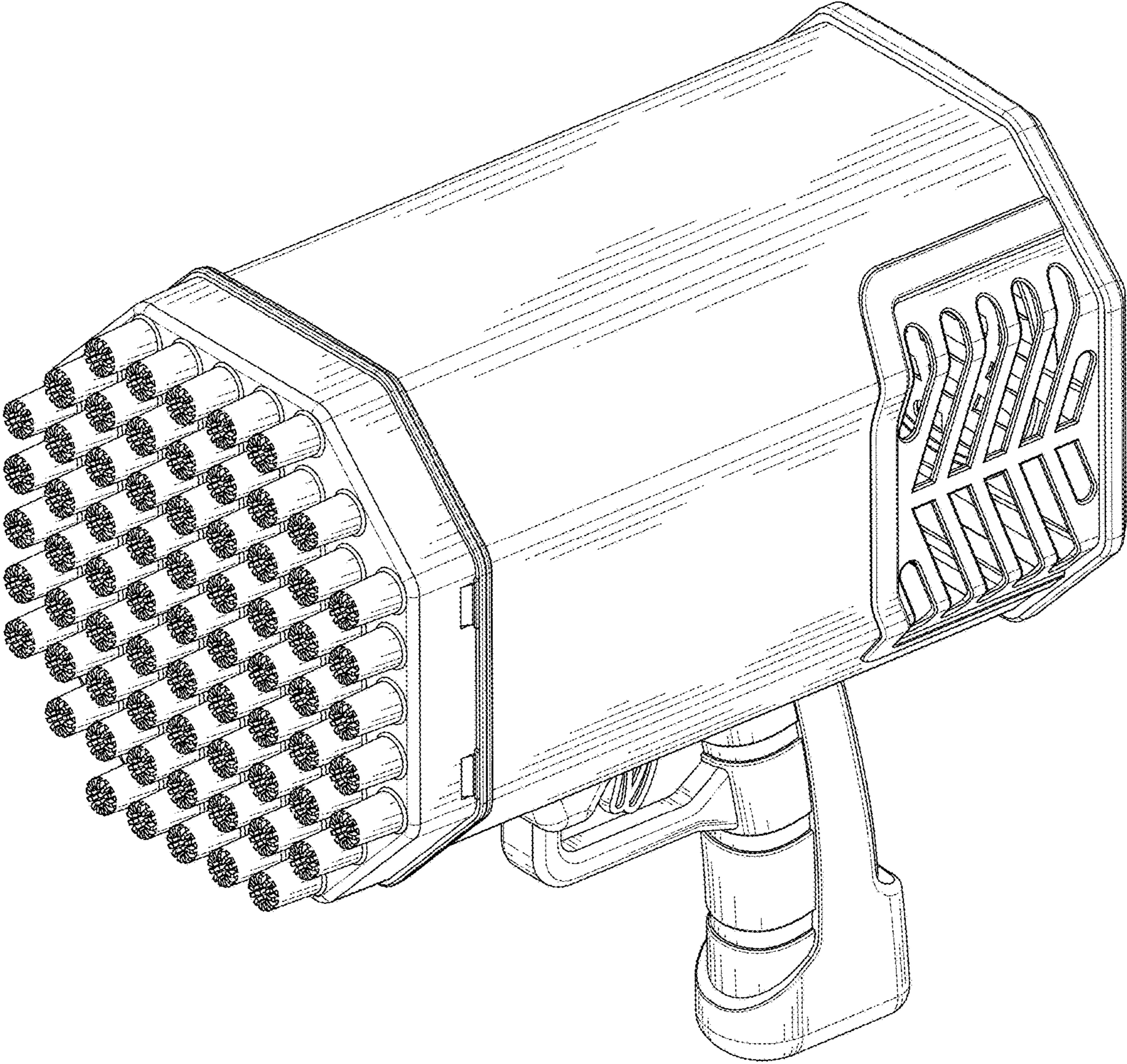


FIG. 1

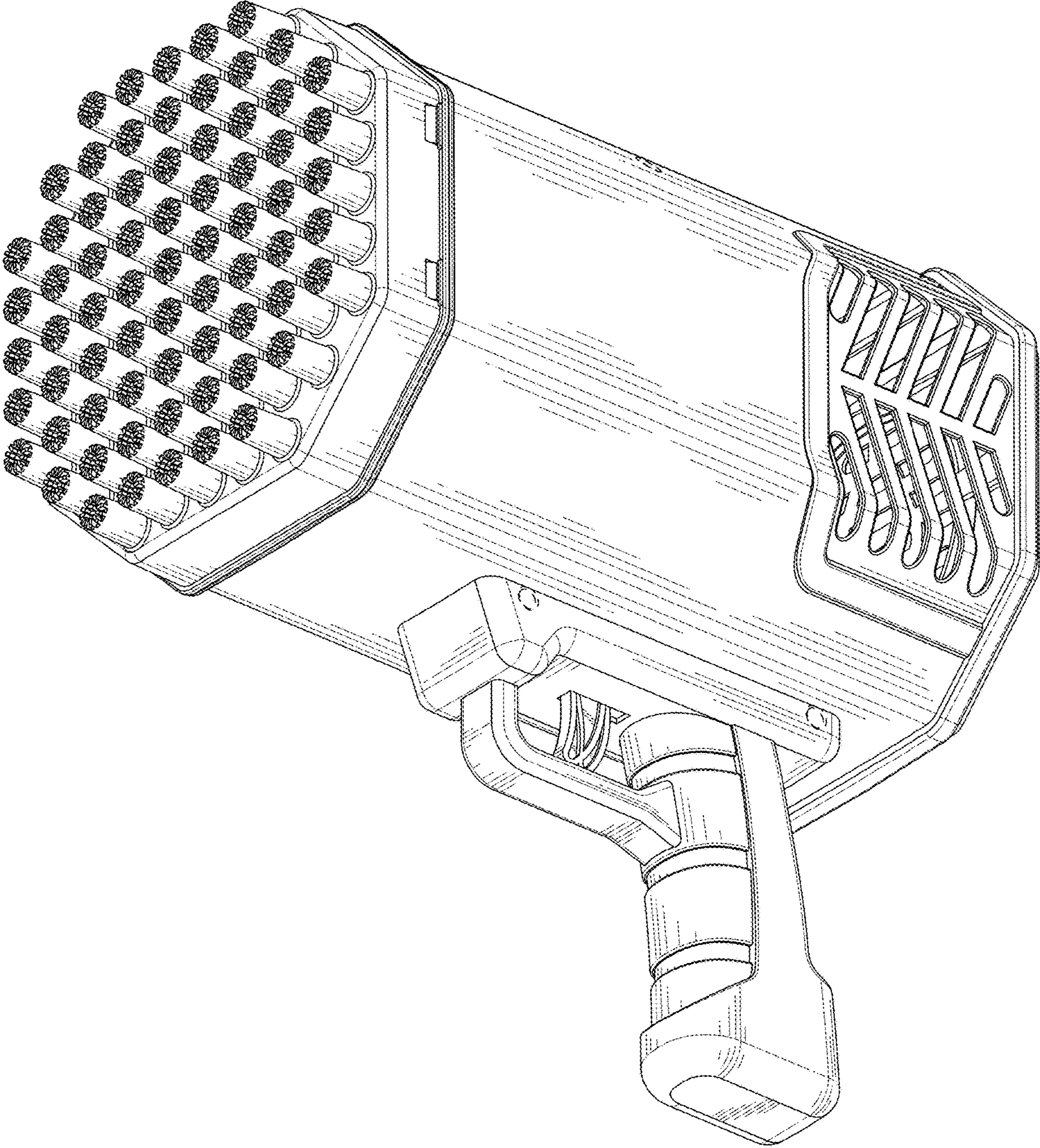


FIG. 2

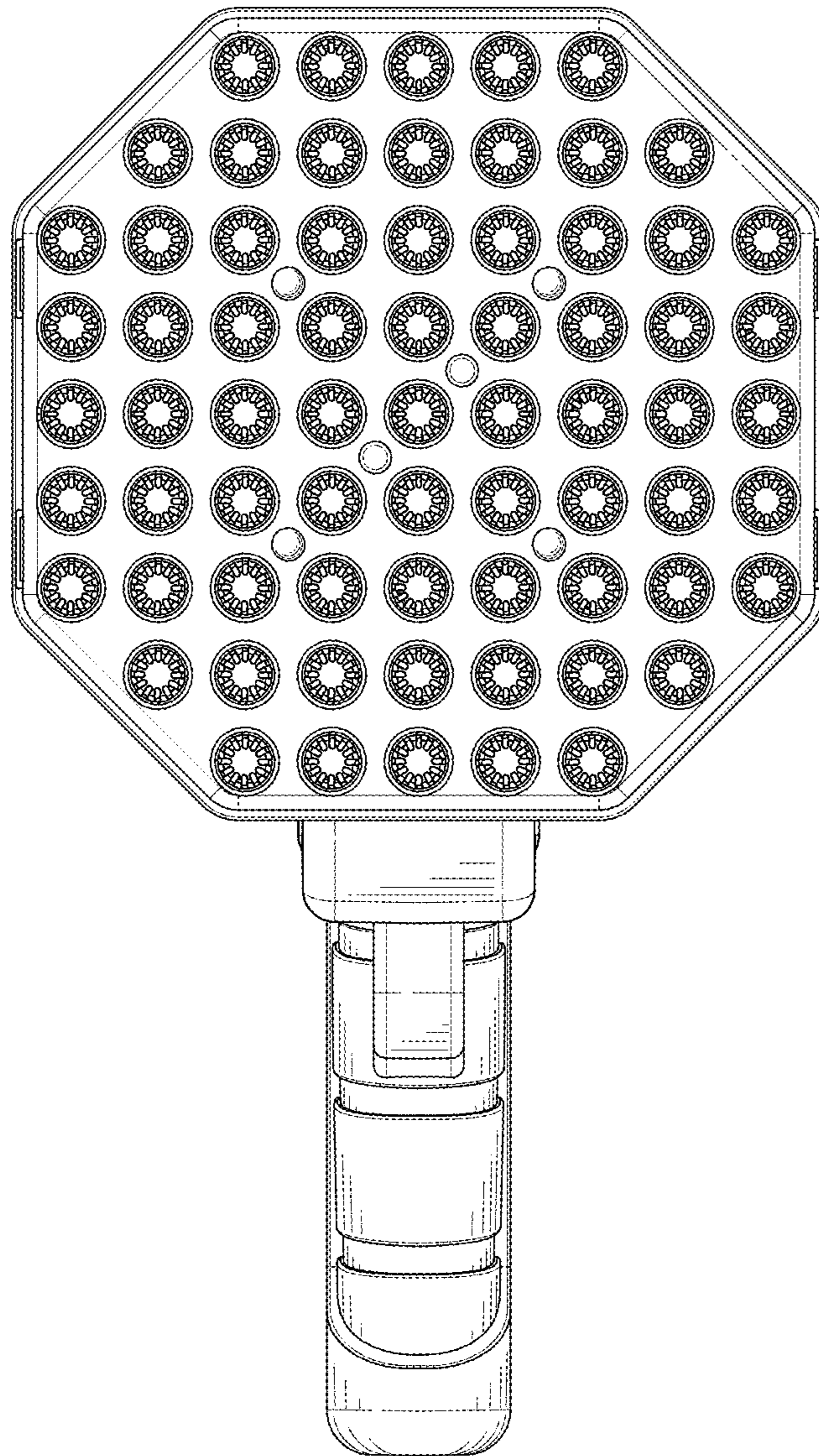


FIG. 3

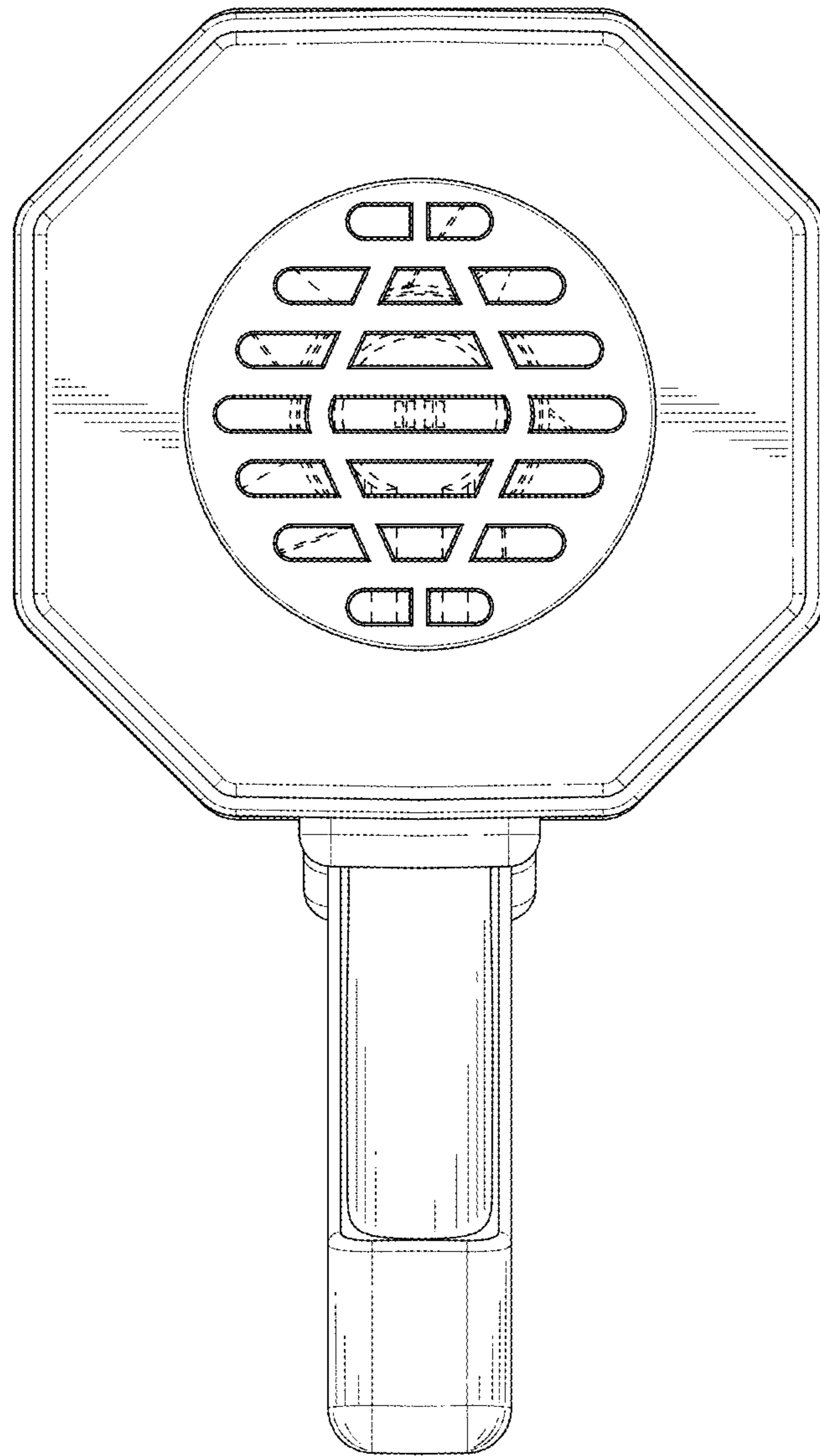


FIG. 4

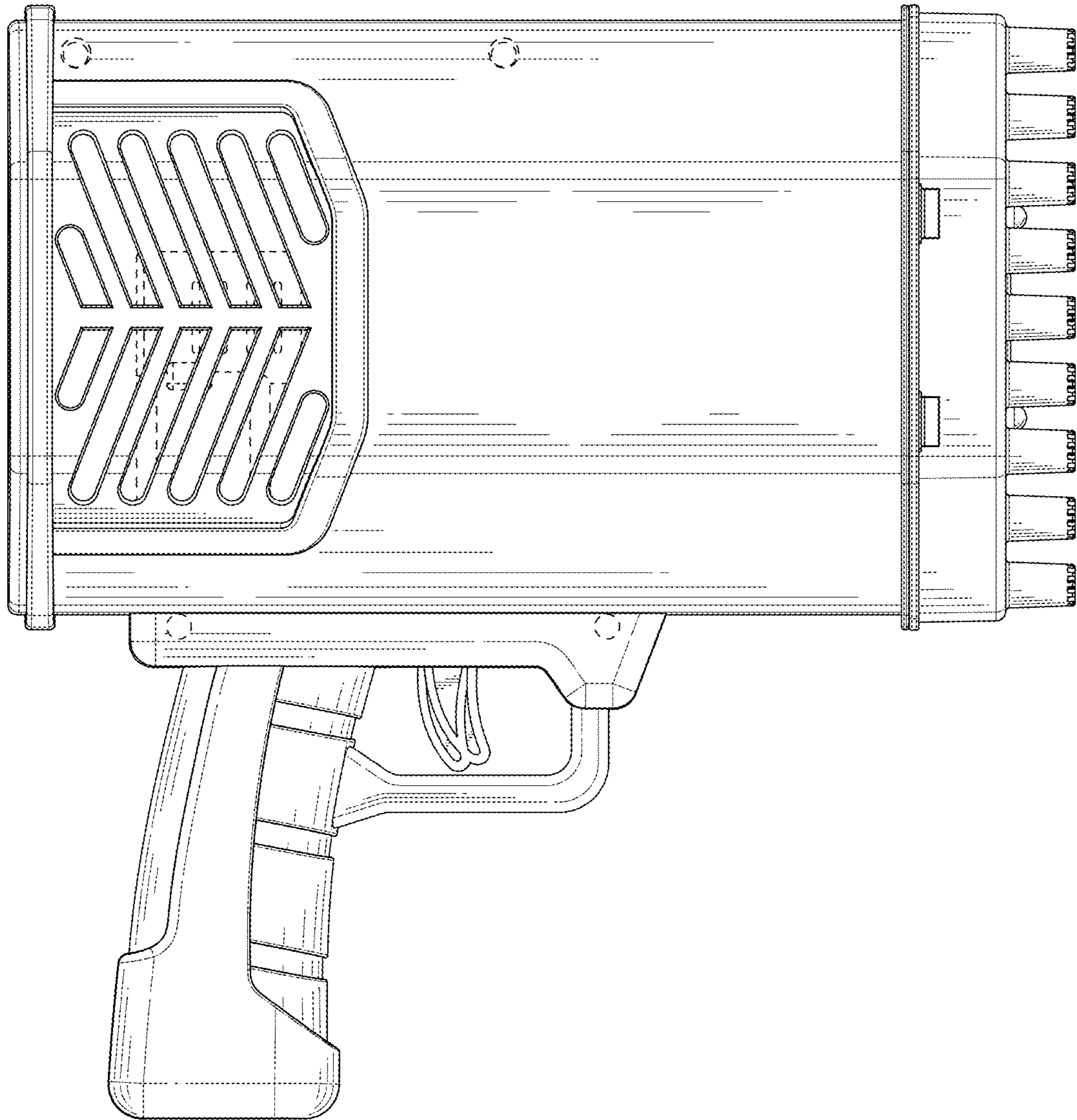


FIG. 5

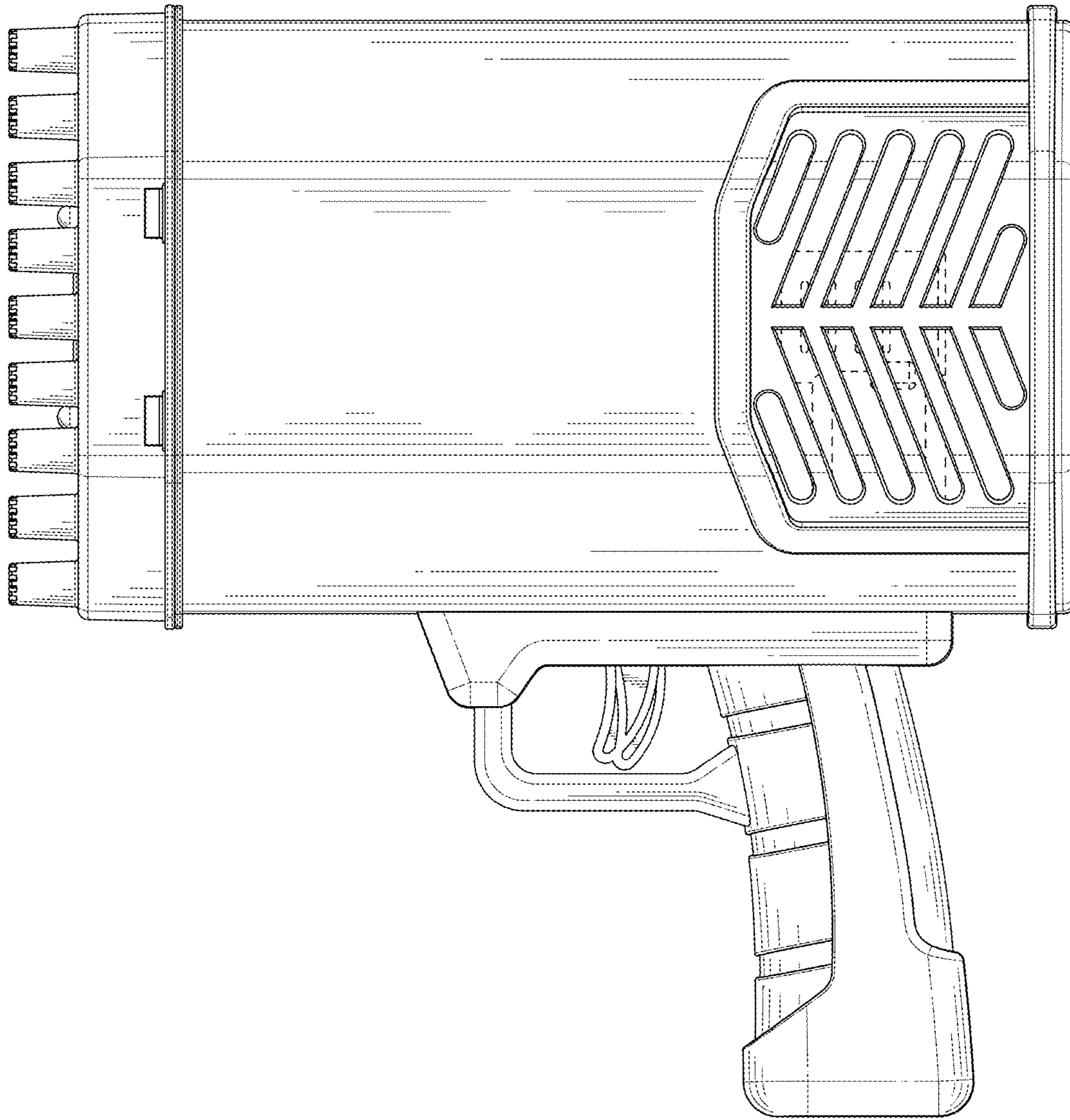


FIG. 6

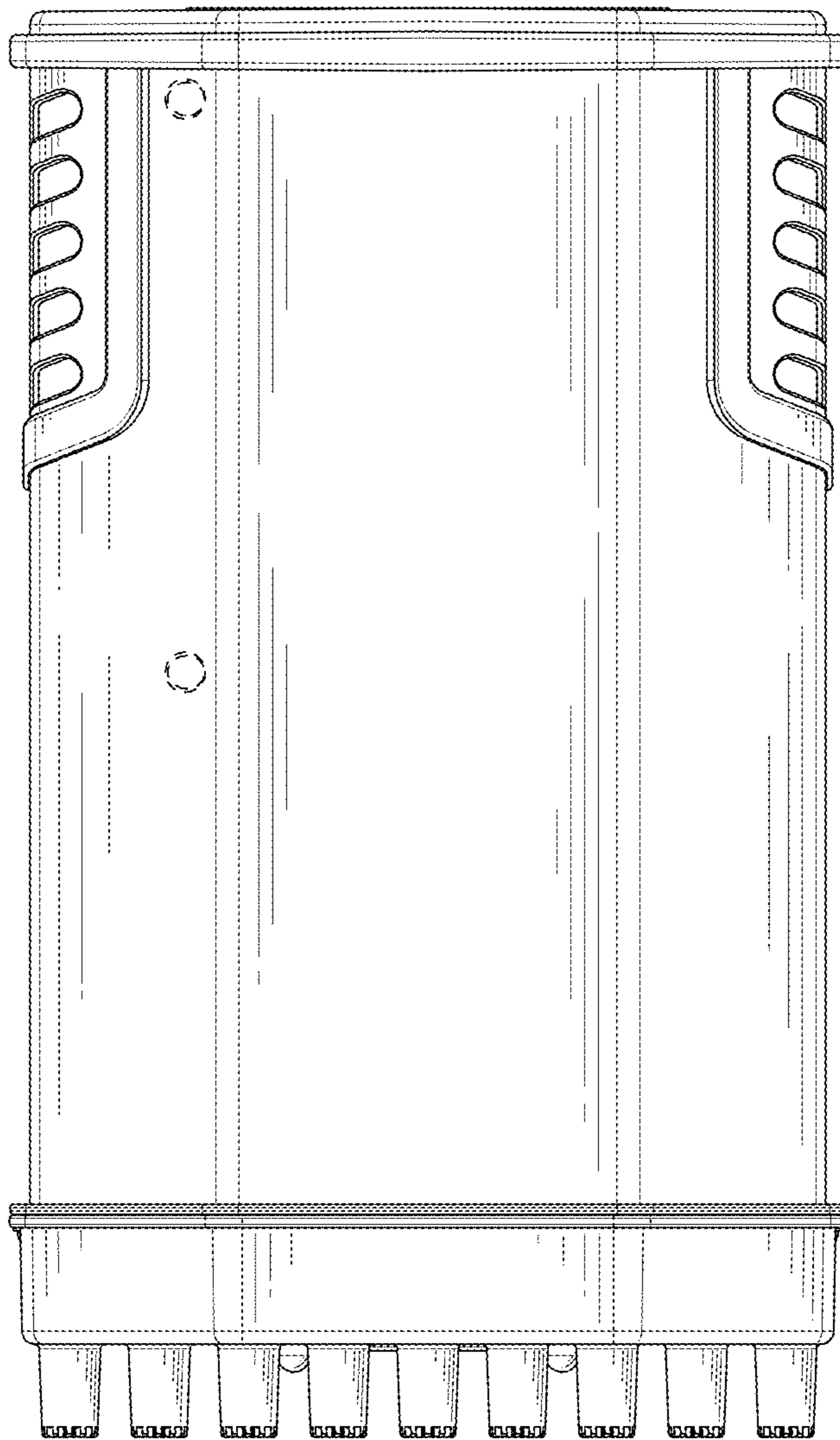


FIG. 7



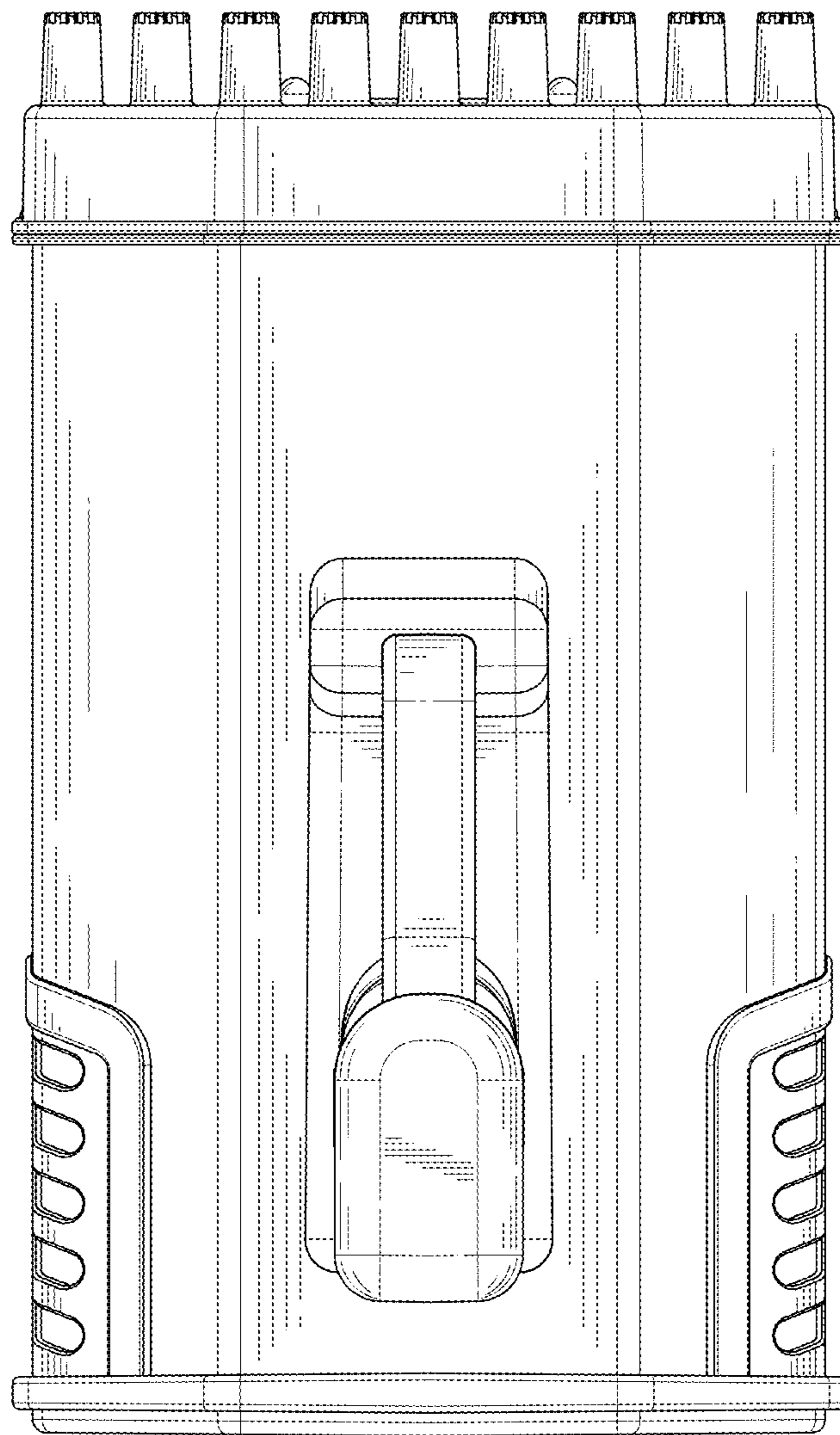


FIG. 8