



US00D962348S

(12) **United States Design Patent**
Osipov et al.

(10) **Patent No.:** **US D962,348 S**

(45) **Date of Patent:** **** Aug. 30, 2022**

- (54) **ELECTRONIC DISPLAY DEVICE**
- (71) Applicant: **Cubios, Inc.**, Sarasota, FL (US)
- (72) Inventors: **Savva Osipov**, Sarasota, FL (US);
Semyon Orlov, Nizhniy Novgorod (RU);
Ilya Osipov, Sarasota, FL (US);
Valentine Zubkov, Nizhny Novgorod (RU);
Maxim Filin, Sarasota, FL (US)

- 5,992,850 A * 11/1999 Li A63F 9/0826
273/153 S
- 6,129,356 A * 10/2000 Li A63F 9/0842
273/153 S
- 6,186,860 B1 * 2/2001 Liao A63F 9/001
273/153 S
- 6,217,023 B1 * 4/2001 Kremer A63F 9/0834
273/153 R
- 6,241,249 B1 * 6/2001 Wang A63F 9/1204
273/156

(Continued)

- (73) Assignee: **Cubios, Inc.**, Sarasota, FL (US)
- (**) Term: **15 Years**
- (21) Appl. No.: **29/762,052**
- (22) Filed: **Dec. 14, 2020**
- (51) **LOC (13) Cl.** **21-01**
- (52) **U.S. Cl.**
USPC **D21/336; D21/478; D21/499**
- (58) **Field of Classification Search**
USPC D21/324, 333, 335, 357, 358, 478, 479,
D21/336, 499; D14/336, 357, 411, 433,
D14/435.1, 436, 480.1, 480.7, 484.1, 137,
D14/155, 167, 168, 203.1–203.8, 240,
D14/242, 299; D13/149, 184; D3/201,
D3/273, 107, 108; D19/159; 273/153 S,
273/156
CPC .. A63F 13/214; A63F 9/06; A63F 9/24; A63F
9/0842; A63F 9/0826; A63F 9/0834;
A63F 9/0838
See application file for complete search history.

(56) **References Cited**

U.S. PATENT DOCUMENTS

- 5,823,530 A * 10/1998 Yang A63F 9/083
273/153 S
- 5,826,871 A * 10/1998 Li A63F 9/0834
273/153 S
- D407,447 S * 3/1999 Tam D21/478
- D408,061 S * 4/1999 Borg D21/337

OTHER PUBLICATIONS

“About WowCube system” posted on Jan. 22, 2019 [Online], [retrieved Dec. 22, 2021], Retrieved from internet: https://www.youtube.com/watch?v=HhgLZMVraEM.*

Primary Examiner — Mehri F Bajoul

(74) *Attorney, Agent, or Firm* — Cozen O’Connor

(57) **CLAIM**

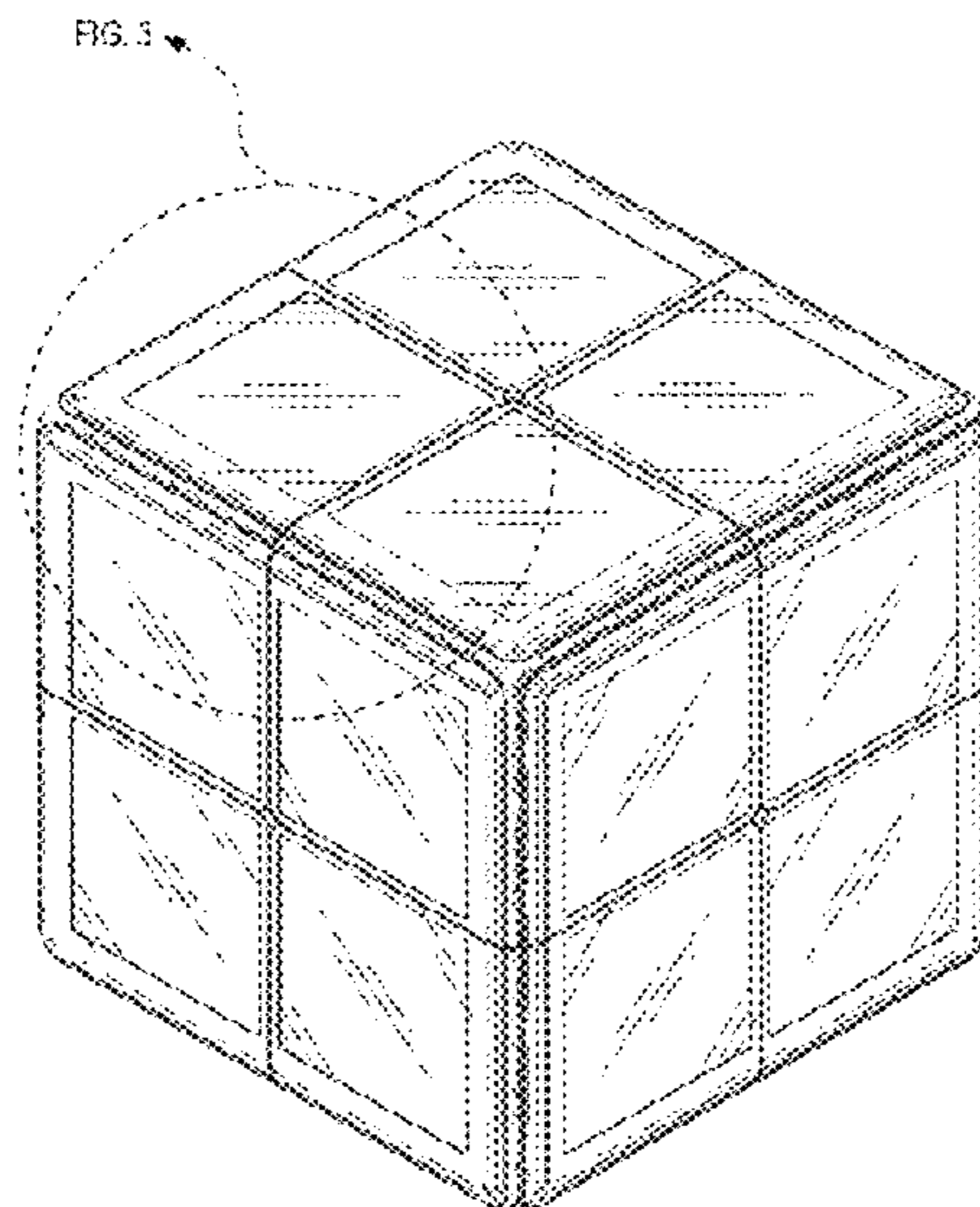
We claim the ornamental design for an electronic display device, as shown and described.

DESCRIPTION

FIG. 1 is an orthographic view of the electronic display device according to our new design, which has eight cubelets as shown, each cubelet having three orthogonal partially-reflective and transparent exterior surfaces, with three orthogonal display screens, each display screen being situated beneath a respective one of the exterior surfaces; FIG. 2 is a top plan view thereof, with the left-side, right-side, front-elevation, rear-elevation, and bottom views thereof being identical; and, FIG. 3 is an orthographic magnified view as designated in FIG. 1 showing the display screens situated beneath respective exterior surfaces.

The broken lines in FIGS. 1 and 3 depict bounds of the magnified portion of the electronic display device and form no part of the claimed design.

1 Claim, 3 Drawing Sheets



(56)

References Cited

U.S. PATENT DOCUMENTS

6,513,808 B2 *	2/2003	Fang	A63F 9/083	273/153 S
D475,094 S *	5/2003	Ko	D21/478	
D495,378 S *	8/2004	Sugden	D21/478	
D518,115 S *	3/2006	Chuang	D21/480	
D561,048 S *	2/2008	Weinstein	D10/6	
D666,446 S *	9/2012	McShane	D6/574	
D667,267 S *	9/2012	Kushner	D7/505	
D673,381 S *	1/2013	McShane	D6/358	
D678,423 S *	3/2013	Verdes	D21/478	
D729,323 S *	5/2015	Kinlay	D21/478	
D749,797 S *	2/2016	Mihlbauer	D30/102	
D894,291 S *	8/2020	Poulus	D21/478	
D902,320 S *	11/2020	Garrett	D19/60	
D914,108 S *	3/2021	Gaba	D21/499	
D937,937 S *	12/2021	Nevgi	A63H 33/086	D21/499
D943,860 S *	2/2022	Lopez	D21/468	
2005/0184458 A1 *	8/2005	Sugden	A63F 9/0842	273/153 S
2006/0163810 A1 *	7/2006	Wang	A63F 9/0842	273/153 S
2007/0262522 A1 *	11/2007	Lu	A63F 9/0842	273/153 S
2008/0070657 A1 *	3/2008	Kratz	A63F 9/24	463/9
2008/0303211 A1 *	12/2008	La	A63F 9/0834	273/153 S
2010/0230897 A1 *	9/2010	Stott	A63F 9/0865	273/153 S
2012/0184341 A1 *	7/2012	Dai	A63F 9/0842	463/9
2012/0268924 A1 *	10/2012	Whang	A63F 9/0842	362/184
2014/0265116 A1 *	9/2014	Christianson	A63F 9/0842	273/153 S
2018/0161668 A1 *	6/2018	Chen	A63F 9/0842	
2020/0023266 A1 *	1/2020	Lee	A63F 9/0842	

* cited by examiner

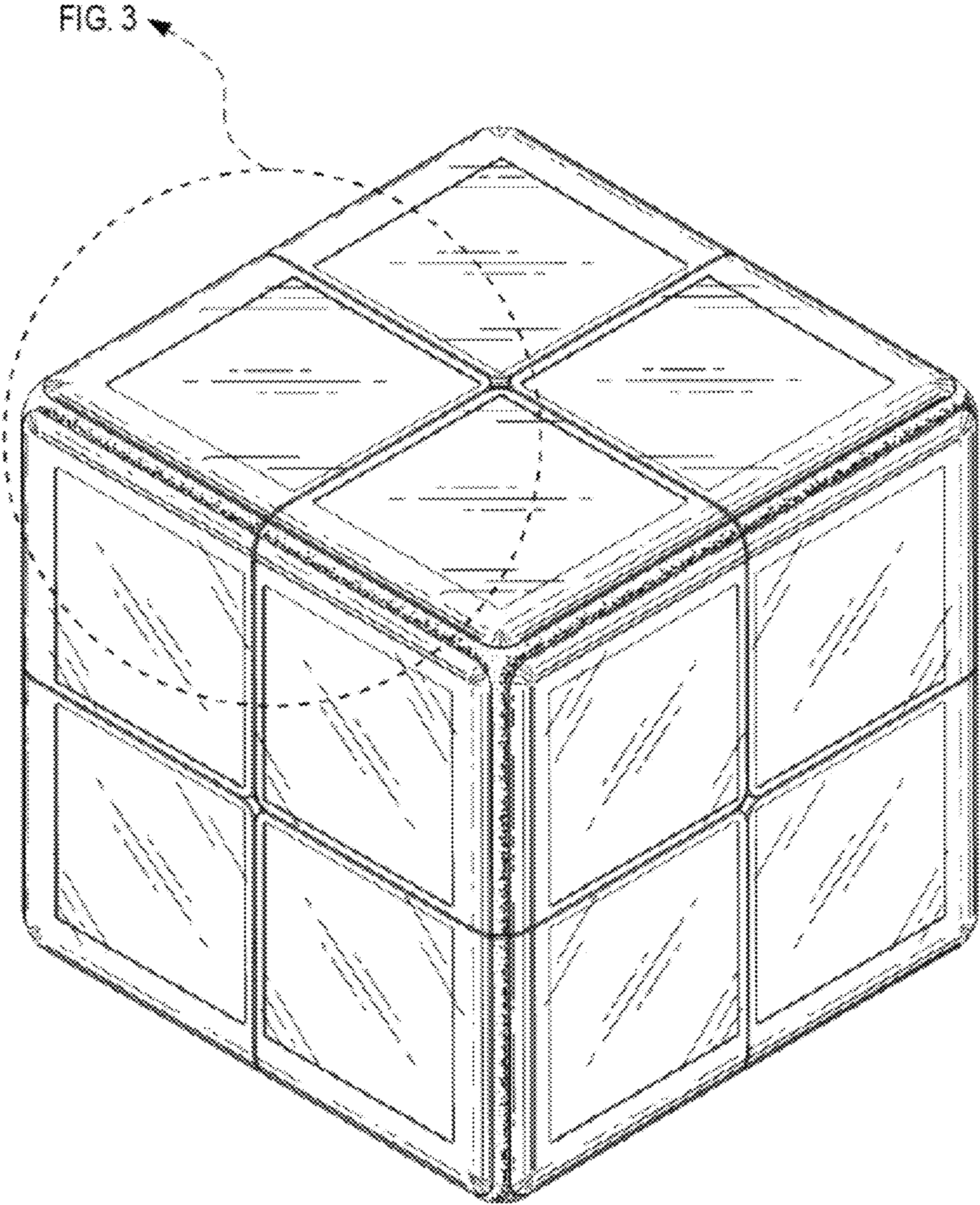


FIG.1

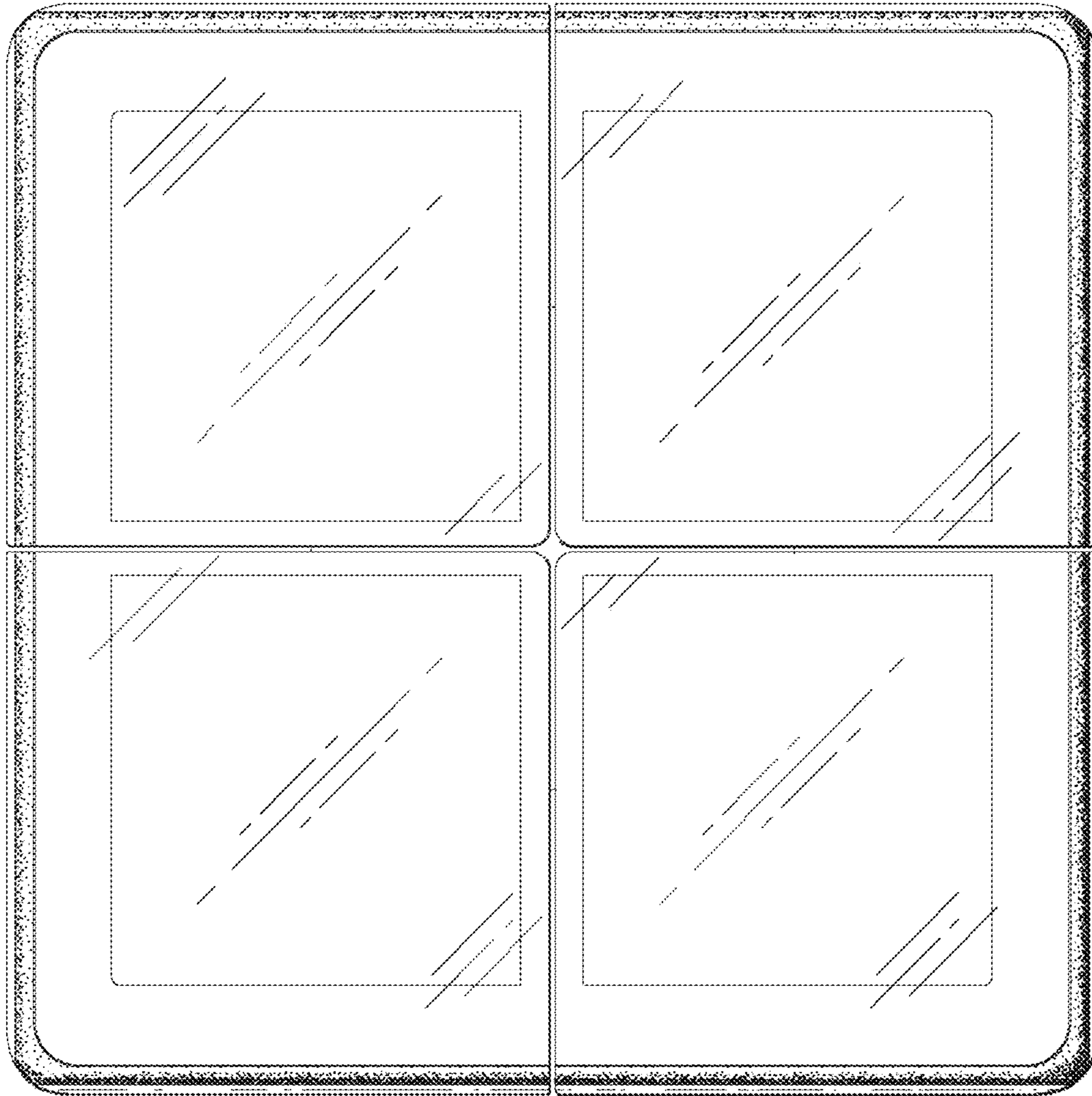


FIG. 2

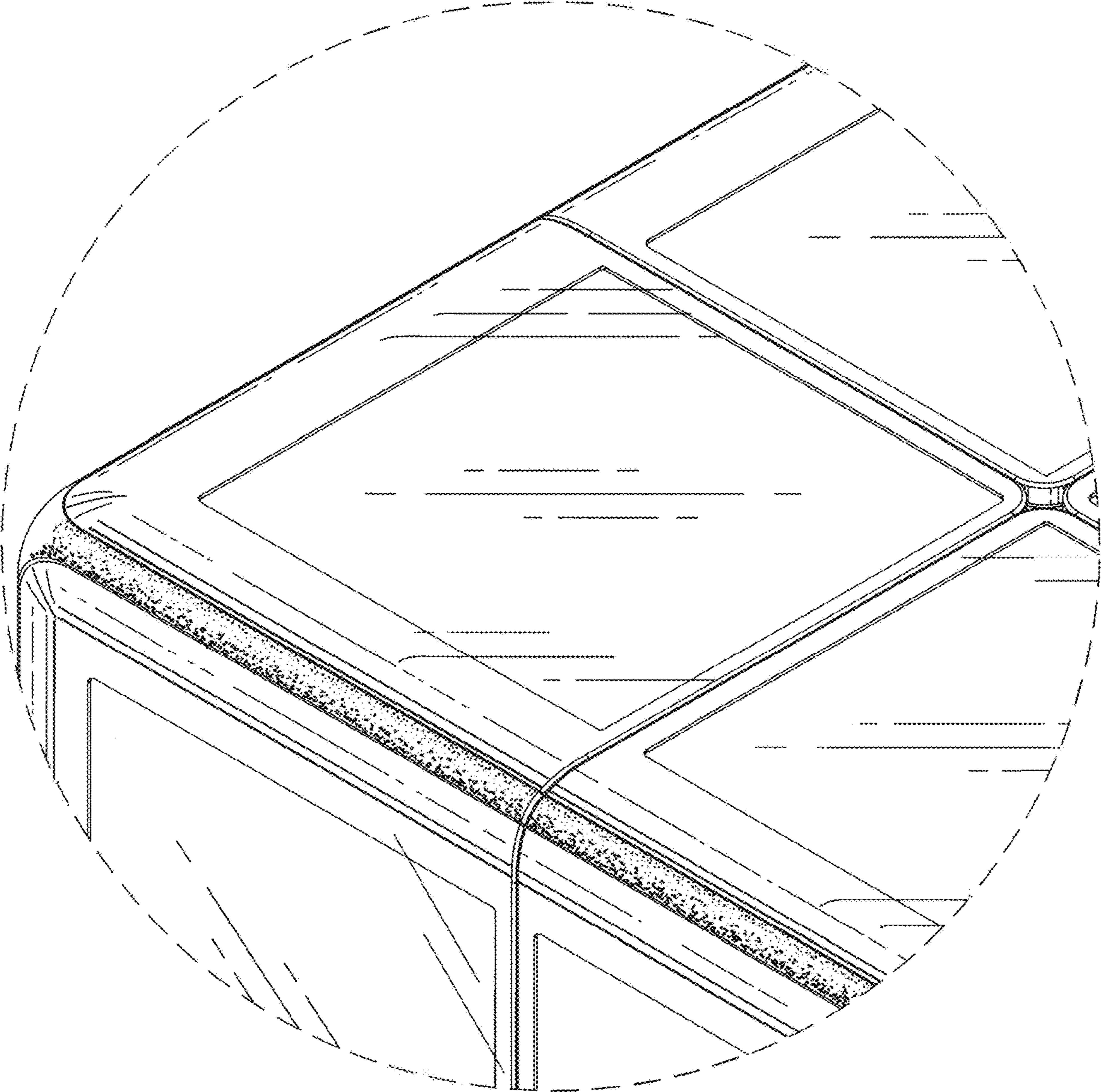


FIG. 3