



US00D962347S

(12) **United States Design Patent**
Day et al.

(10) **Patent No.:** **US D962,347 S**

(45) **Date of Patent:** **** Aug. 30, 2022**

(54) **GAMING WHEEL BASE**

FOREIGN PATENT DOCUMENTS

(71) Applicant: **Logitech Europe S.A.**, Lausanne (CH)

CN 306941314 * 11/2021

(72) Inventors: **David Day**, Newark, CA (US); **Simon Baumgartner**, Cork (IE); **Cian Connolly**, Cork (IE); **Zachary Cramer**, Cork (IE); **Lu Zhen**, Suzhou (CN); **Davin O'Mahony**, Cork (IE)

OTHER PUBLICATIONS

Thrustmaster Ferrari 458 Spider Racing Wheel for Xbox One, first available Mar. 7, 2014, amazon.com [online], site visited Dec. 10, 2021], Available from internet URL: <https://amzn.to/3oGY8yG> (Year: 2014).*

(73) Assignee: **Logitech Europe S.A.**, Lausanne (CH)

* cited by examiner

(**) Term: **15 Years**

Primary Examiner — Garth Rademaker

Assistant Examiner — Salamah Jordan

(21) Appl. No.: **29/740,224**

(74) *Attorney, Agent, or Firm* — Kilpatrick Townsend & Stockton LLP

(22) Filed: **Jul. 1, 2020**

(51) **LOC (13) Cl.** **21-01**

(52) **U.S. Cl.**
USPC **D21/333**

(58) **Field of Classification Search**

USPC D12/126, 175, 176, 177; D14/399, 400, D14/401, 402, 414, 413, 416, 412, 419, D14/563, 566; D21/320, 324–333

CPC A63F 13/02; A63F 13/06; A63F 13/24; A63F 13/98; A63F 13/235; A63F 13/245; A63F 13/803; B60R 21/05; B60R 21/203; B62D 1/04

See application file for complete search history.

(57) **CLAIM**

The ornamental design for a gaming wheel base, as shown and described.

DESCRIPTION

FIG. 1 is a front, left side perspective view of a gaming wheel base, shown with environmental wheel in use, showing our new design;

FIG. 2 is a rear, right side perspective view thereof, shown with environmental wheel in use;

FIG. 3 is a front, left side perspective view thereof;

FIG. 4 is a front elevation view thereof;

FIG. 5 is a rear elevation view thereof;

FIG. 6 is a top plan view thereof;

FIG. 7 is a bottom plan view thereof;

FIG. 8 is a left side elevation view thereof; and,

FIG. 9 is a right side elevation view thereof.

The broken lines shown in the drawings are included for the purpose of illustrating portions of the gaming wheel base that form no part of the claimed design.

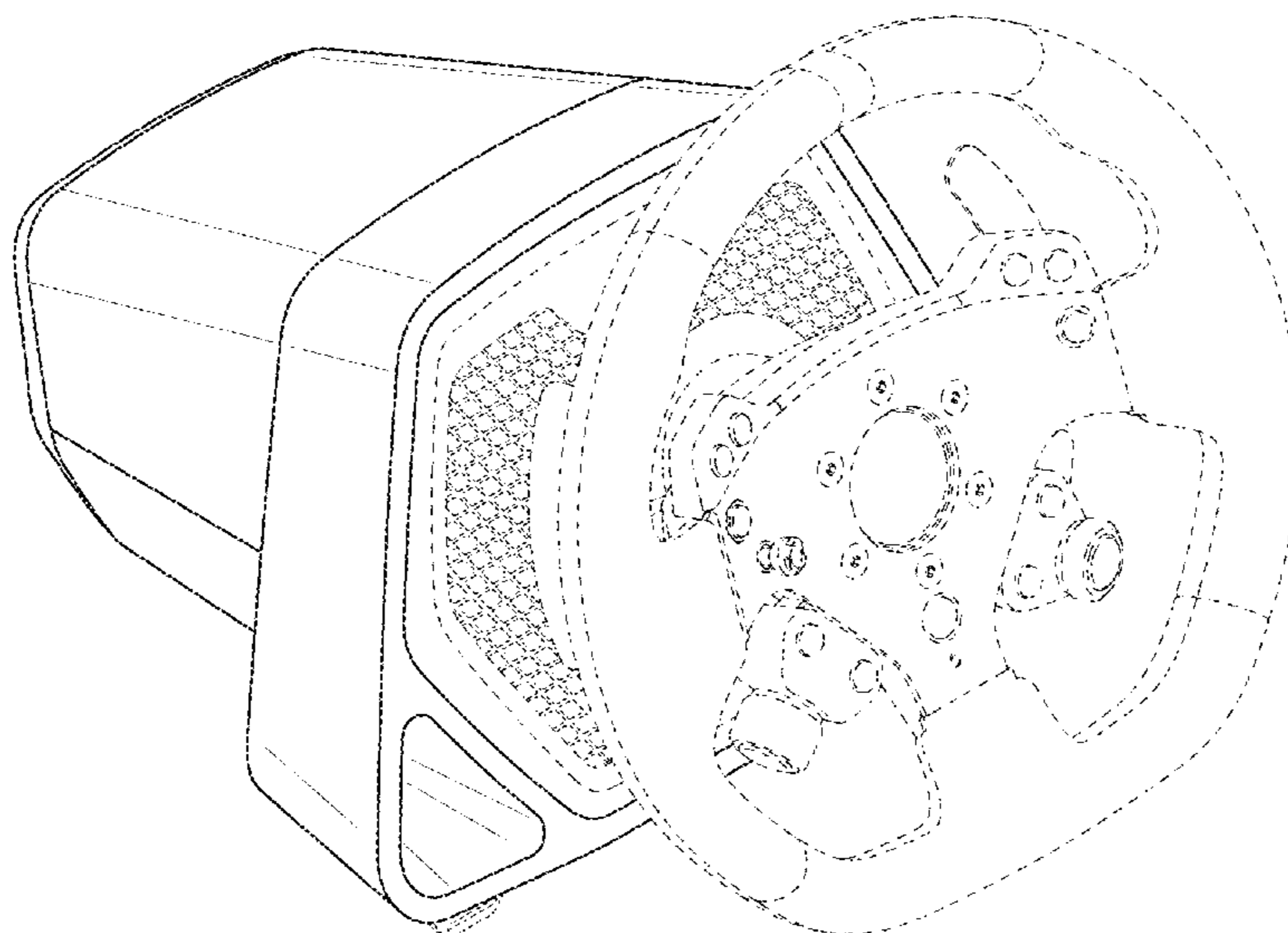
The broken lines on the wheel and FIGS. 1 and 2 are included for the purpose of illustrating environmental subject matter and form no part of the claimed design

(56) **References Cited**

U.S. PATENT DOCUMENTS

| | | | | | | |
|--------------|----|---|---------|------------|-------|-------------|
| D393,493 | S | * | 4/1998 | Lee | | D14/413 |
| D497,365 | S | * | 10/2004 | Hussaini | | D14/414 |
| 6,976,677 | B1 | * | 12/2005 | McVicar | | A63F 13/02 |
| D522,516 | S | * | 6/2006 | Hussaini | | D14/414 |
| D566,781 | S | * | 4/2008 | Ikeda | | D14/419 |
| D568,409 | S | * | 5/2008 | Ikeda | | D14/414 |
| D899,328 | S | * | 10/2020 | Roo-Clefas | | D12/176 |
| 2001/0049302 | A1 | * | 12/2001 | Hagiwara | | A63F 13/02 |
| 2003/0067111 | A1 | * | 4/2003 | Swan | | A63F 13/02 |
| 2011/0281649 | A1 | * | 11/2011 | Jaouen | | A63F 13/245 |

1 Claim, 7 Drawing Sheets



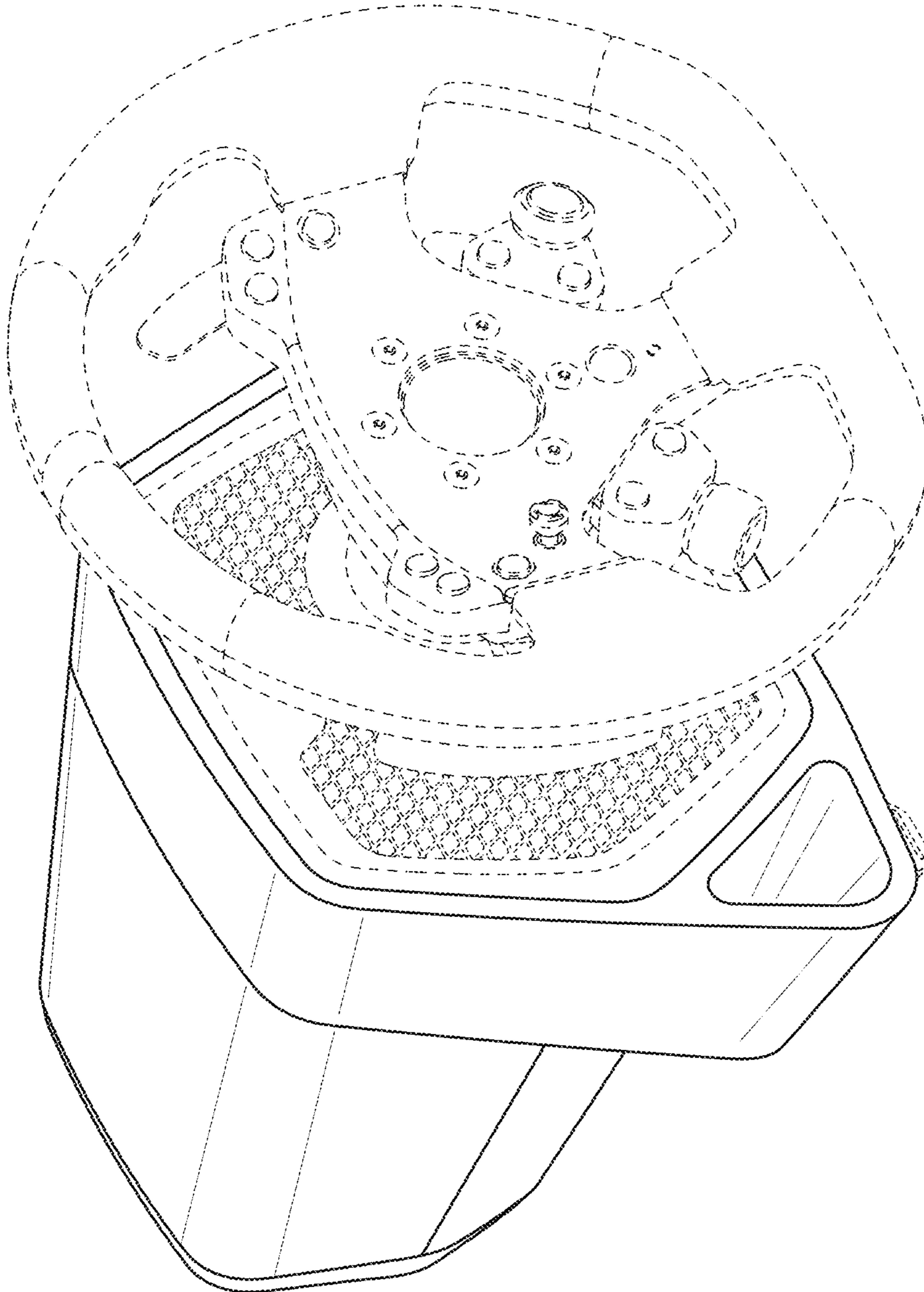


FIG. 1

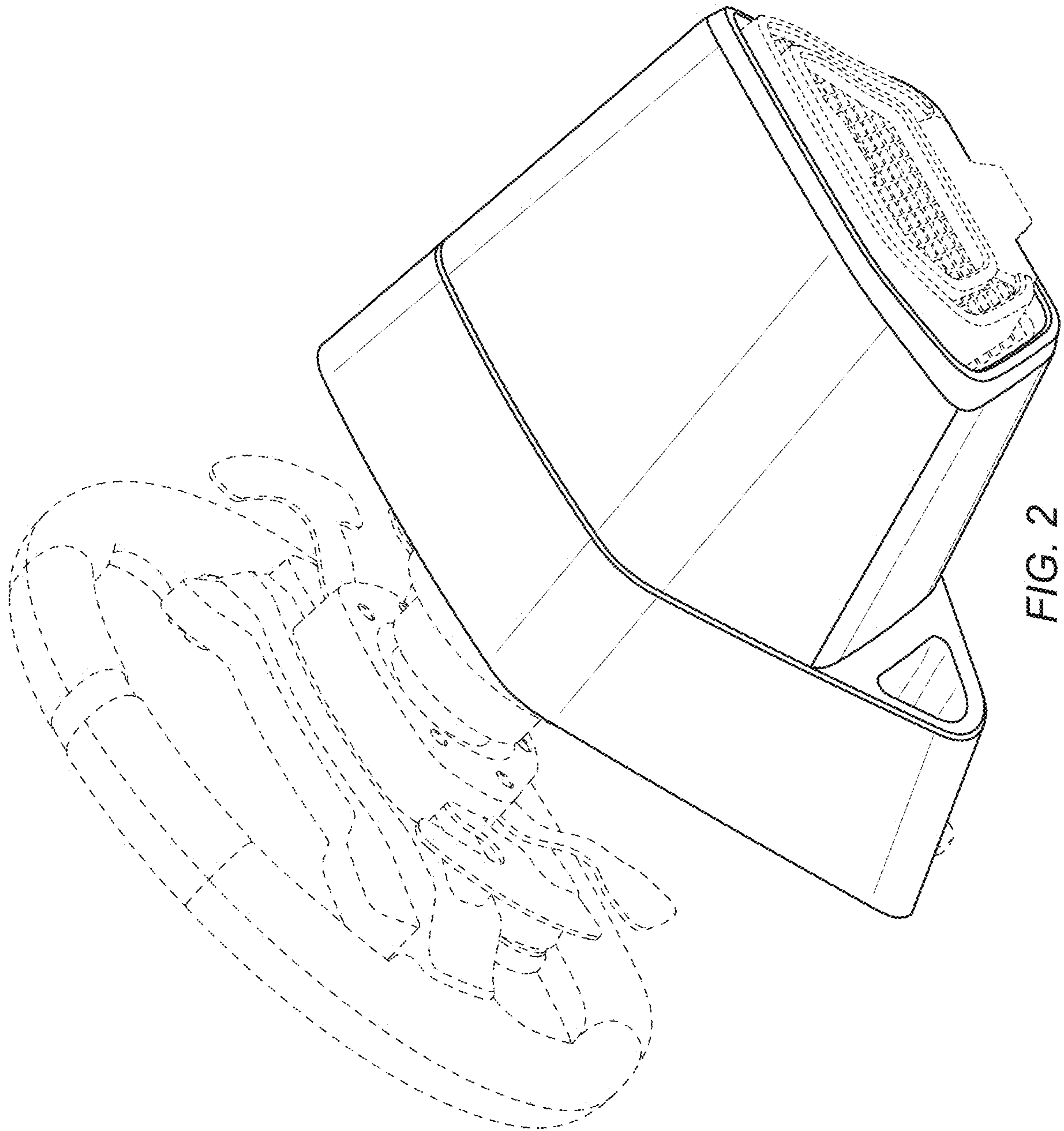


FIG. 2

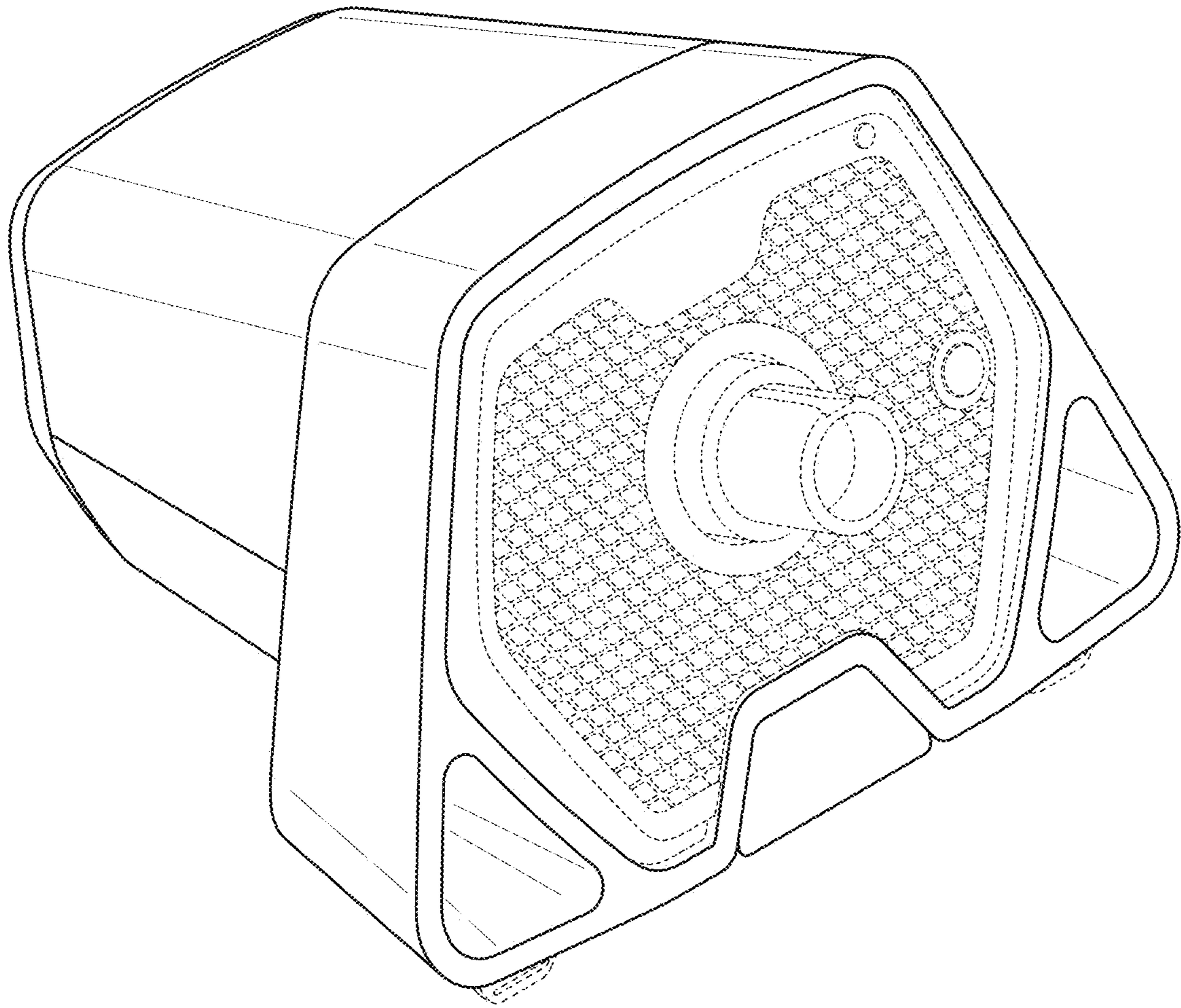


FIG. 3

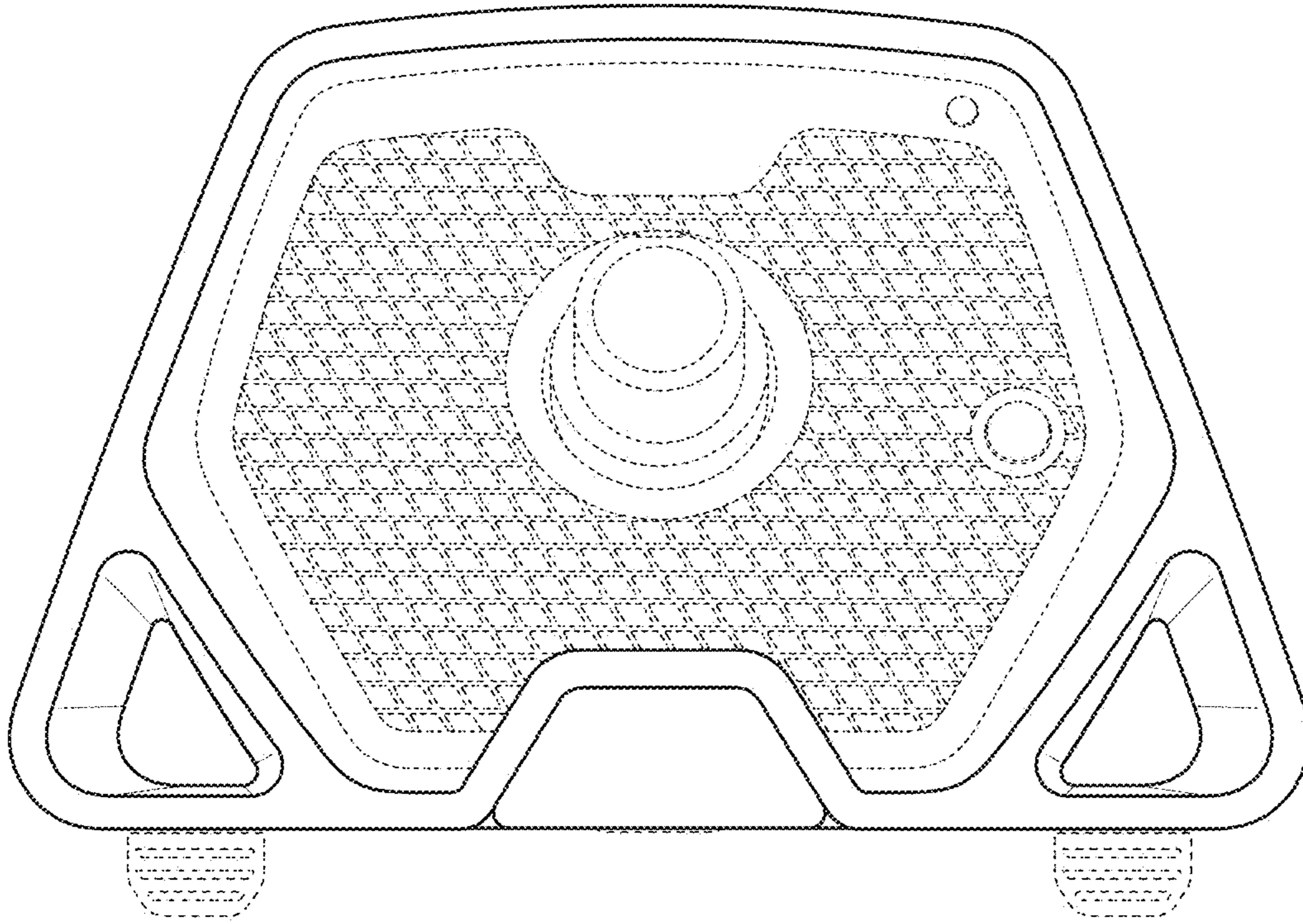


FIG. 4

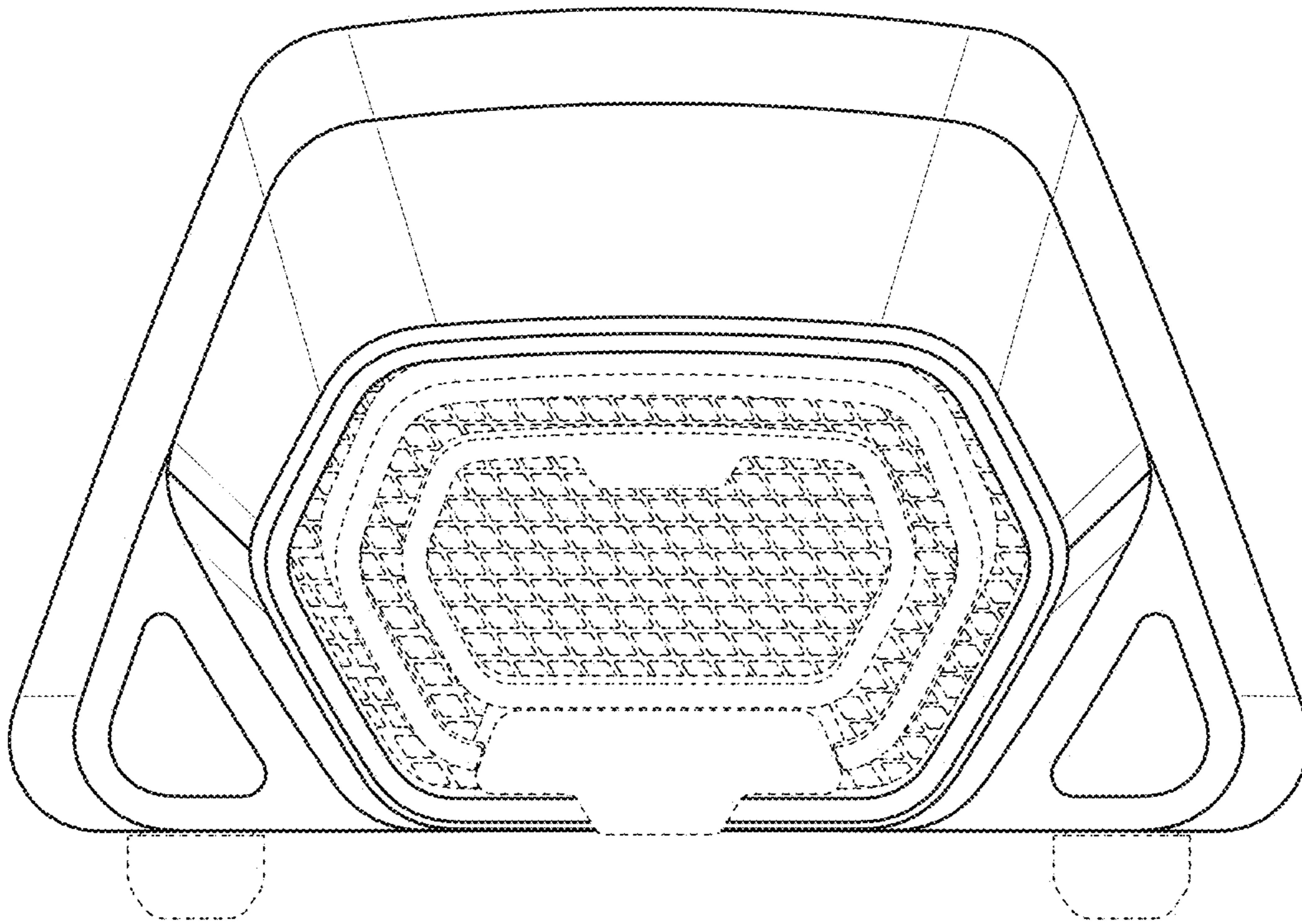


FIG. 5

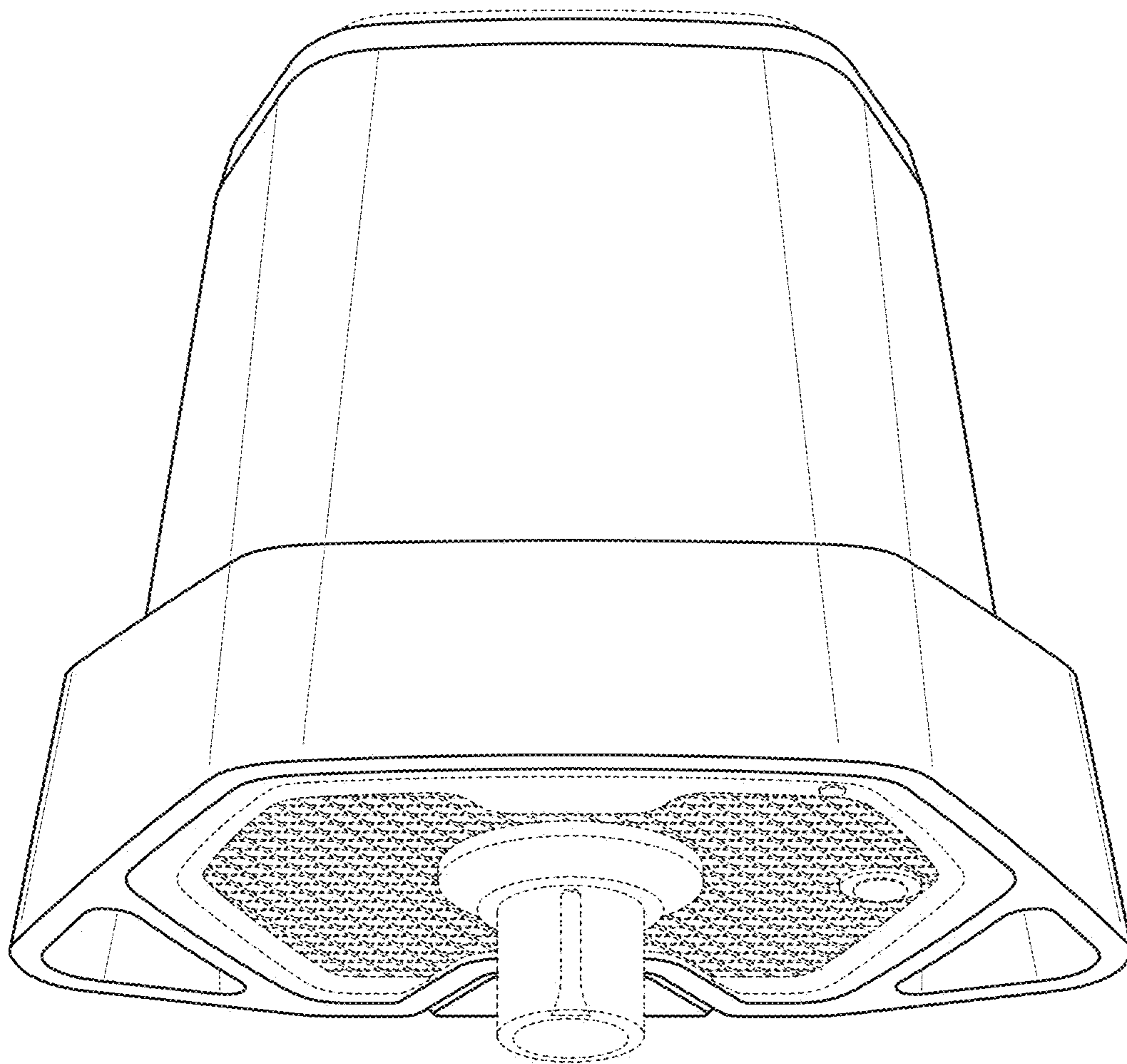


FIG. 6

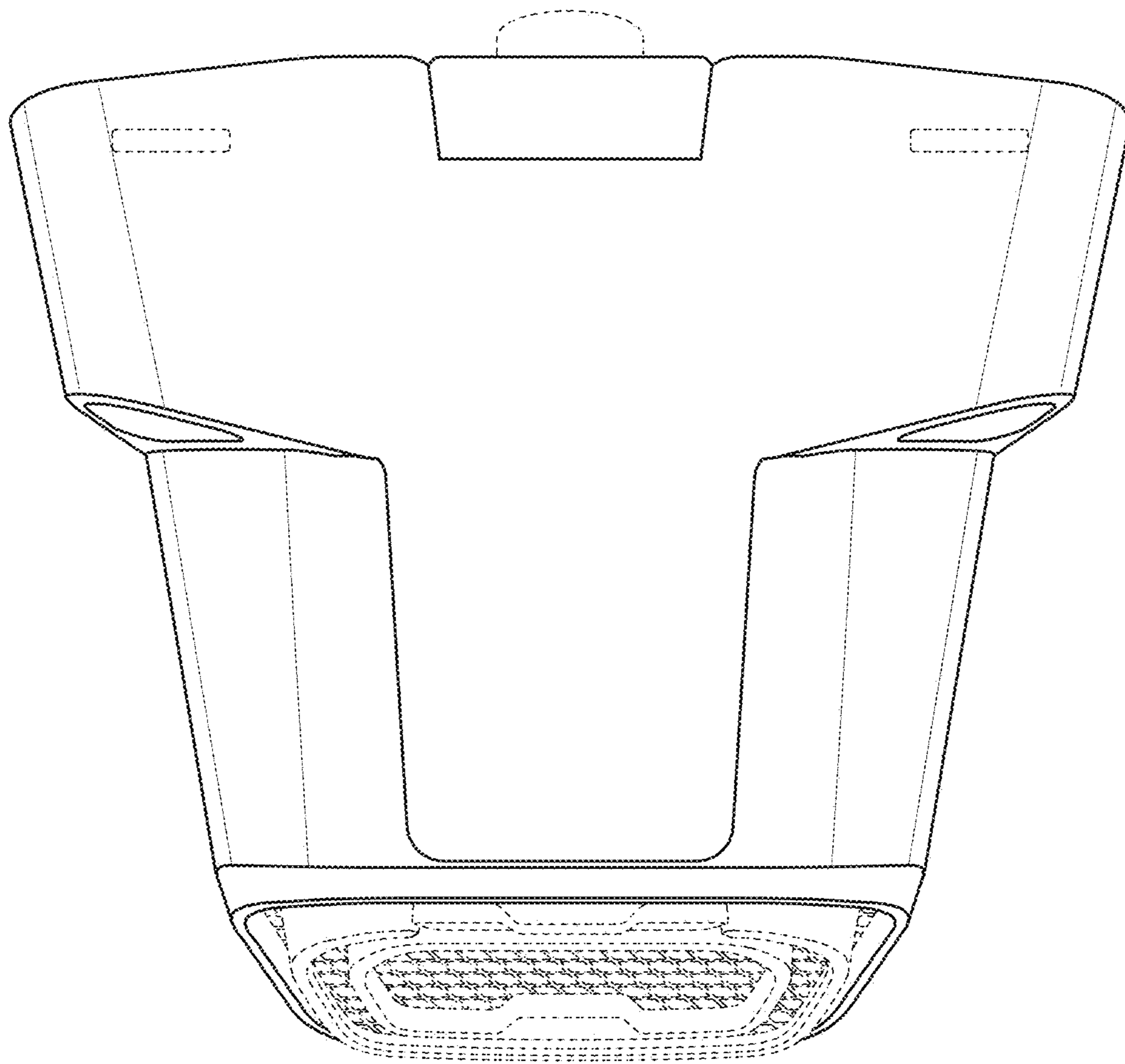


FIG. 7

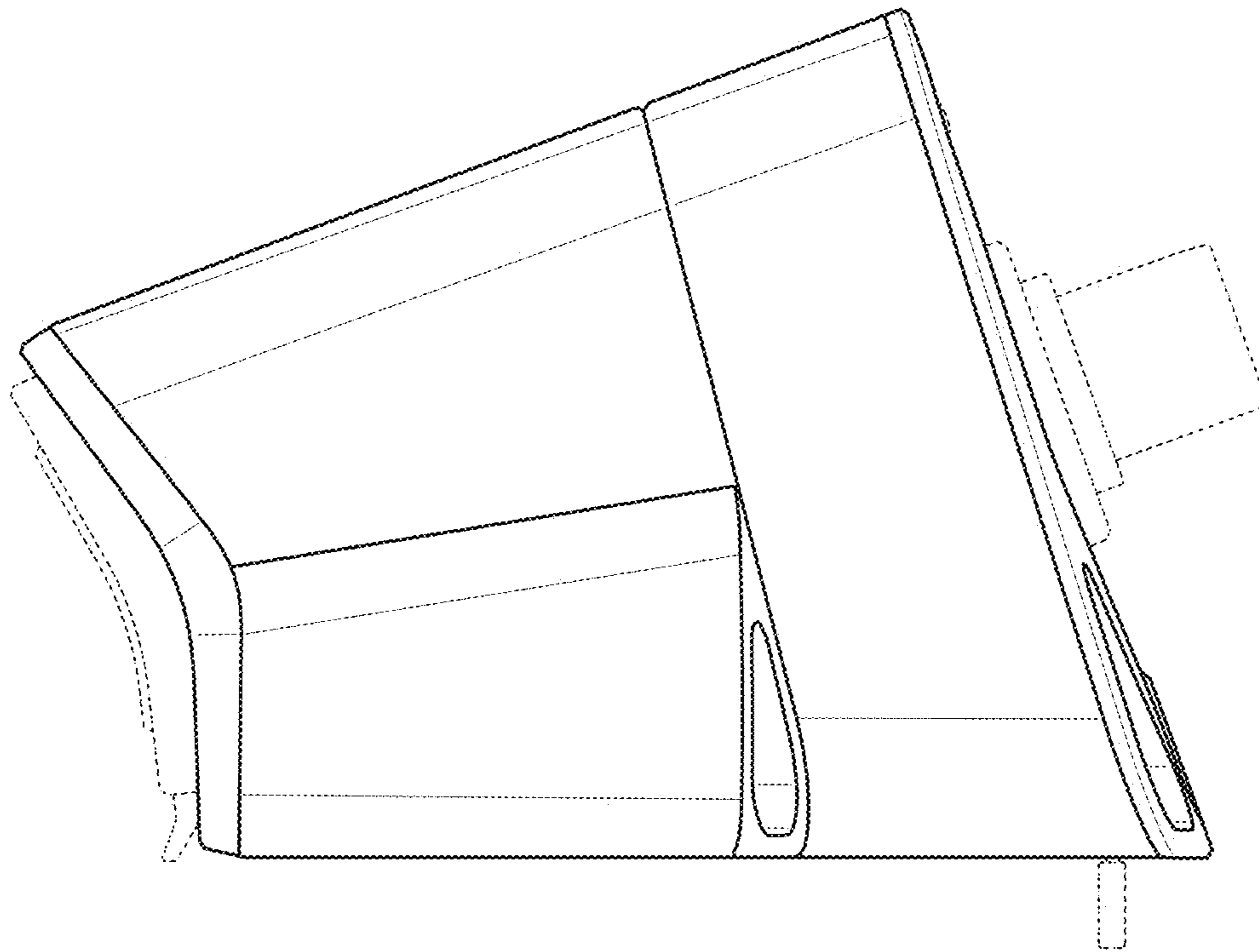


FIG. 8

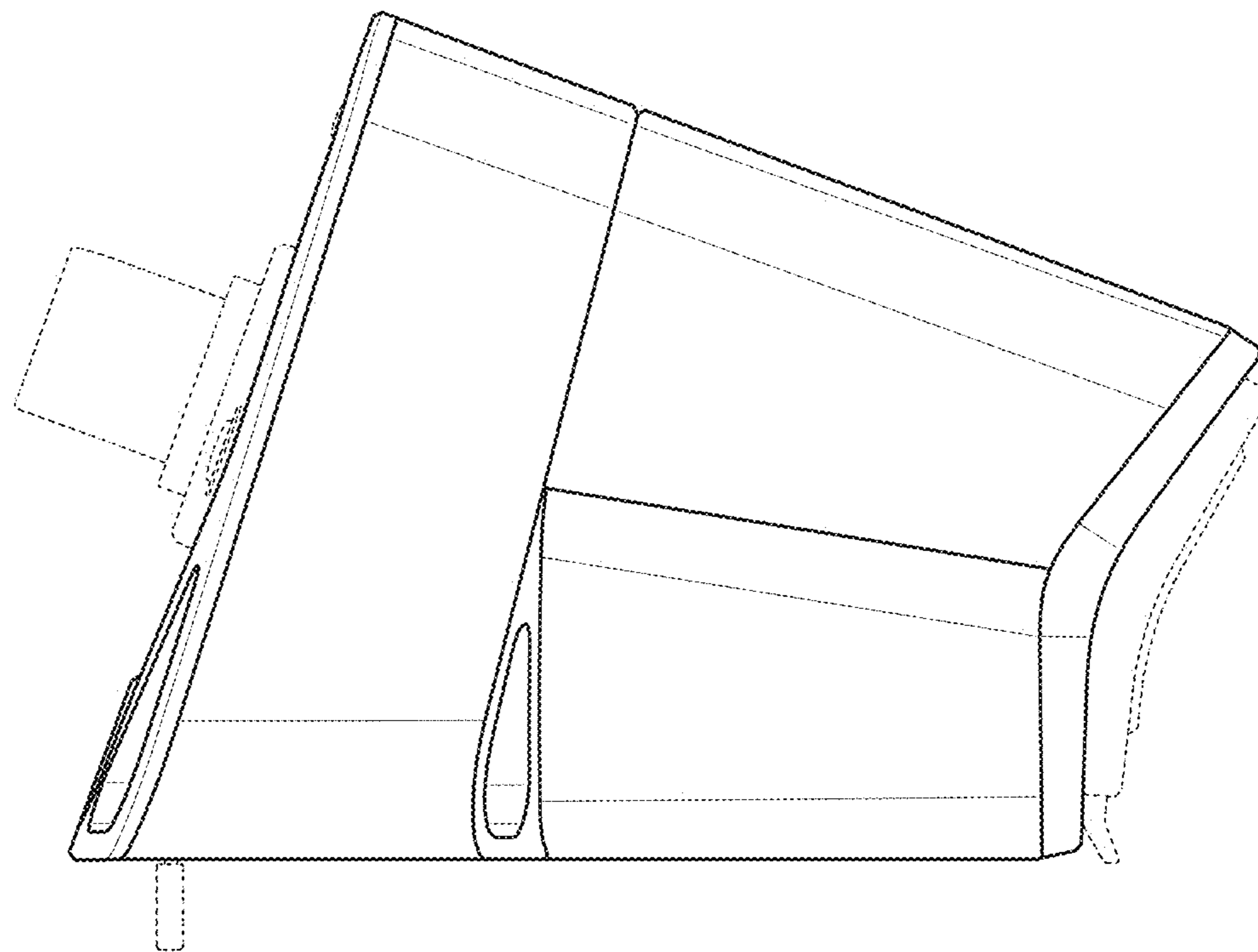


FIG. 9