



US00D962345S

(12) **United States Design Patent**  
**Li**

(10) **Patent No.:** **US D962,345 S**

(45) **Date of Patent:** **\*\* Aug. 30, 2022**

(54) **EARLY EDUCATIONAL TALKING PEN**

(71) Applicant: **Shenzhen Alilo Smart Technology Co., Ltd, Guangdong (CN)**

(72) Inventor: **Xin Li, Guangdong (CN)**

(\*\*) Term: **15 Years**

(21) Appl. No.: **29/761,208**

(22) Filed: **Dec. 8, 2020**

(51) **LOC (13) Cl.** ..... **19-06**

(52) **U.S. Cl.**  
USPC ..... **D19/142**

(58) **Field of Classification Search**  
USPC ..... D8/61; D24/112, 119, 209; D26/38;  
D14/341, 411, 480; D19/142, 153, 158,  
D19/177, 180, 192, 195, 196, 201, 202  
CPC ..... G06F 3/0354; G06F 3/0442  
See application file for complete search history.

(56) **References Cited**

**U.S. PATENT DOCUMENTS**

D342,277 S	*	12/1993	Yoshinaga	.....	D19/934
D393,000 S	*	3/1998	Yang	.....	D19/934
D421,627 S	*	3/2000	Gootnick	.....	D19/126
D435,864 S	*	1/2001	Cohen	.....	D19/194
D437,885 S	*	2/2001	Cohen	.....	D17/22
D442,634 S	*	5/2001	O'Shei	.....	D19/194
D450,359 S	*	11/2001	Chu	.....	D21/585
D450,766 S	*	11/2001	Rosenbaum	.....	D19/934
D455,178 S	*	4/2002	DeLuca	.....	D19/201
D562,890 S	*	2/2008	Wang	.....	D19/934
D578,571 S	*	10/2008	Yeh	.....	D19/934
D595,771 S	*	7/2009	Oas	.....	D19/906
D596,229 S	*	7/2009	van der Lande	.....	D19/142
D596,666 S	*	7/2009	van der Lande	.....	D19/142
D596,667 S	*	7/2009	van der Lande	.....	D19/142
D599,853 S	*	9/2009	van der Lande	.....	D19/142
D605,225 S	*	12/2009	Wen	.....	D19/194
D643,465 S	*	8/2011	Ng	.....	D19/177
D669,934 S	*	10/2012	van der Lande	.....	D19/139

D712,410 S	*	9/2014	Shu	.....	D14/411
D841,736 S	*	2/2019	Zhong	.....	D19/142
D851,173 S	*	6/2019	Zhong	.....	D19/142
D884,787 S	*	5/2020	Xu	.....	D19/906

**FOREIGN PATENT DOCUMENTS**

CN	305332298	*	9/2019
CN	305356417	*	9/2019

**OTHER PUBLICATIONS**

Educational Insights Hot Dots Jr. Amazon.com\_ Customer reviews published Dec. 7, 2018, date retrieved 5-2-22-29761208-https://amzn.to/3yang1Q (Year: 2018).\*  
Discover Talking Pen, Wayback Machine Saved Oct. 27, 2020, date retrieved 5-2-22-29761208-https://web.archive.org/web/20201027034407/https://discovertalkingpen.com/products/6-book-set (Year: 2020).\*

\* cited by examiner

*Primary Examiner* — Jennifer L Rempfer  
*Assistant Examiner* — Danielle Nichole Bowly

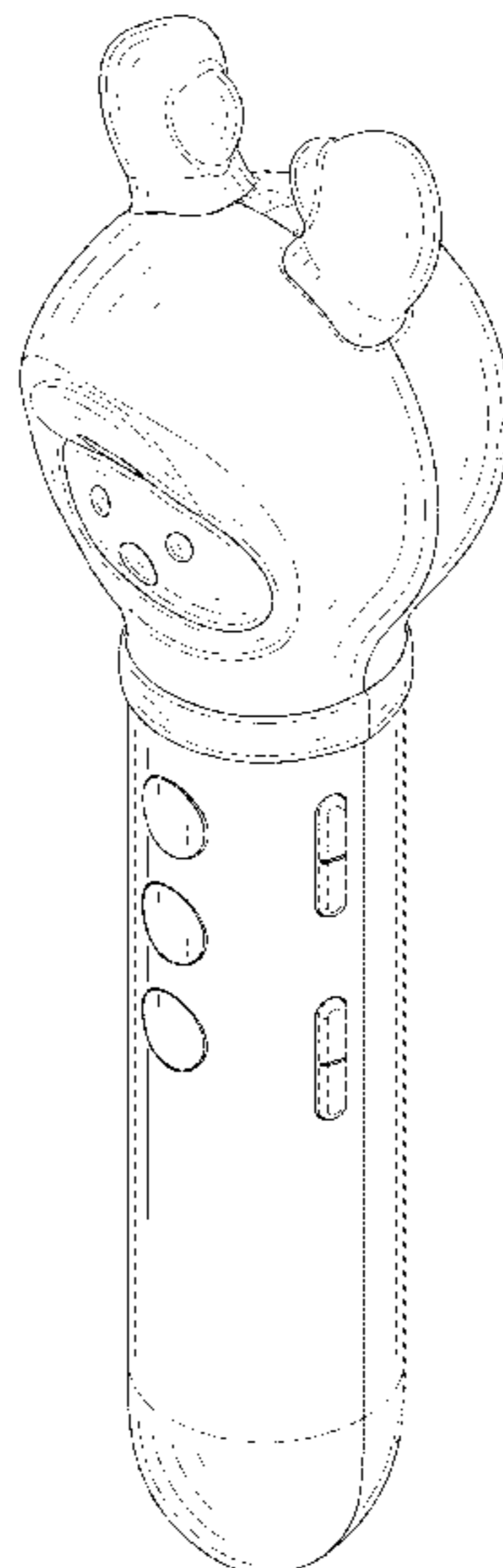
(57) **CLAIM**

The ornamental design for an early educational talking pen, as shown and described.

**DESCRIPTION**

FIG. 1 is a front and top perspective view of an early educational talking pen, showing my new design; FIG. 2 is a rear and bottom perspective view thereof; FIG. 3 is a front elevational view thereof; FIG. 4 is a rear elevational view thereof; FIG. 5 is a left side elevational view thereof; FIG. 6 is a right side elevational view thereof; FIG. 7 is a top plan view thereof; and, FIG. 8 is a bottom plan view thereof. The broken lines in the figures illustrate portions of the article that form no part of the claimed design.

**1 Claim, 8 Drawing Sheets**



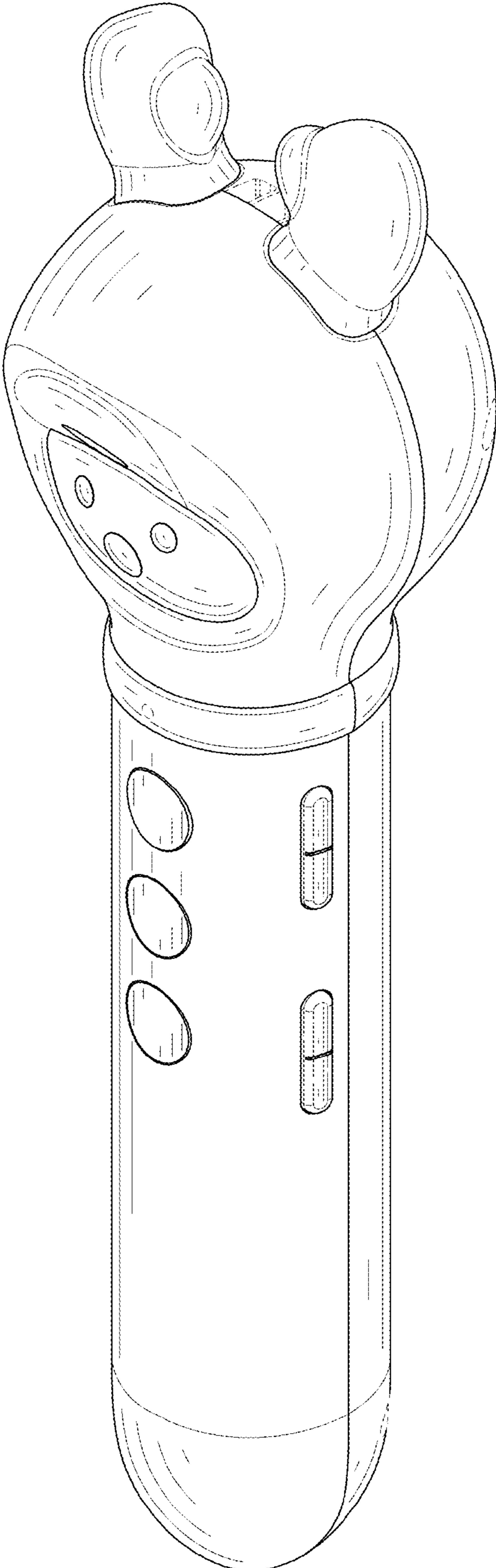


FIG. 1

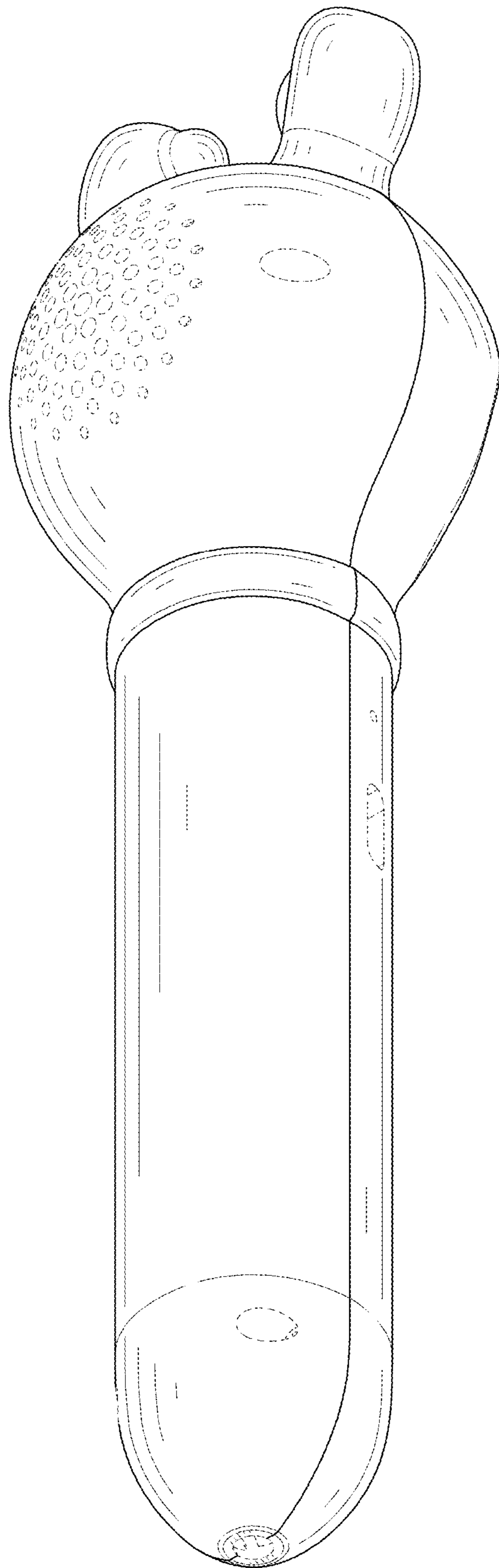


FIG. 2

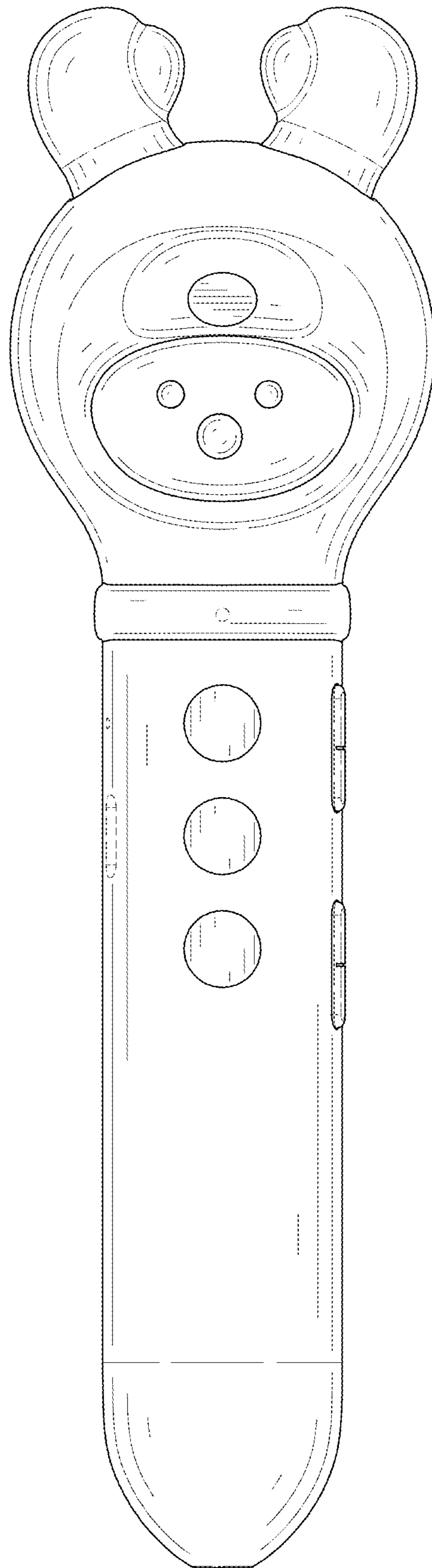


FIG. 3

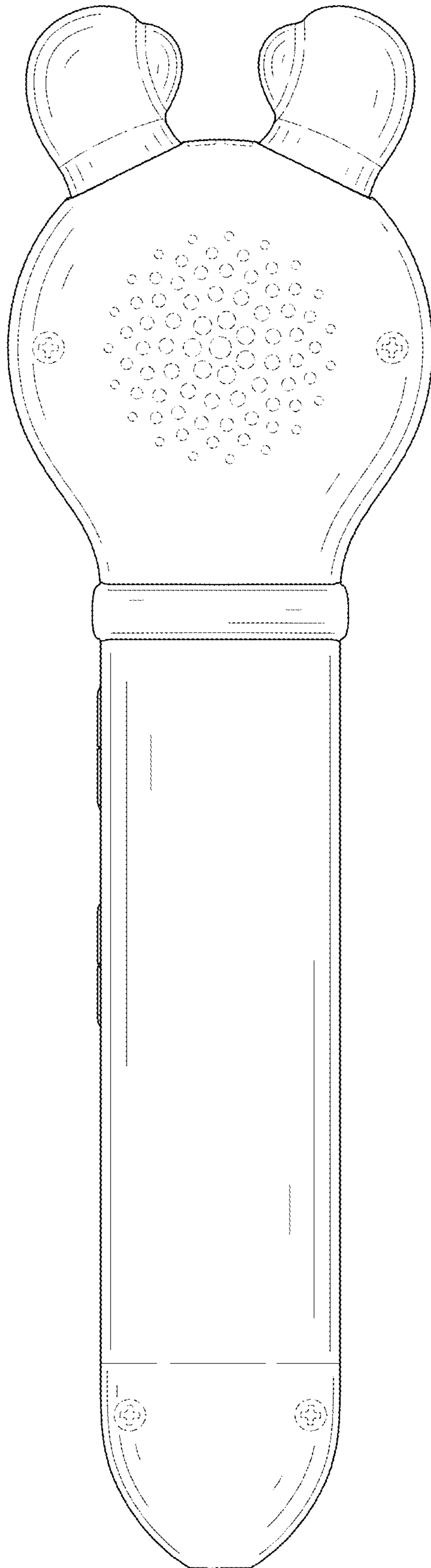


FIG. 4

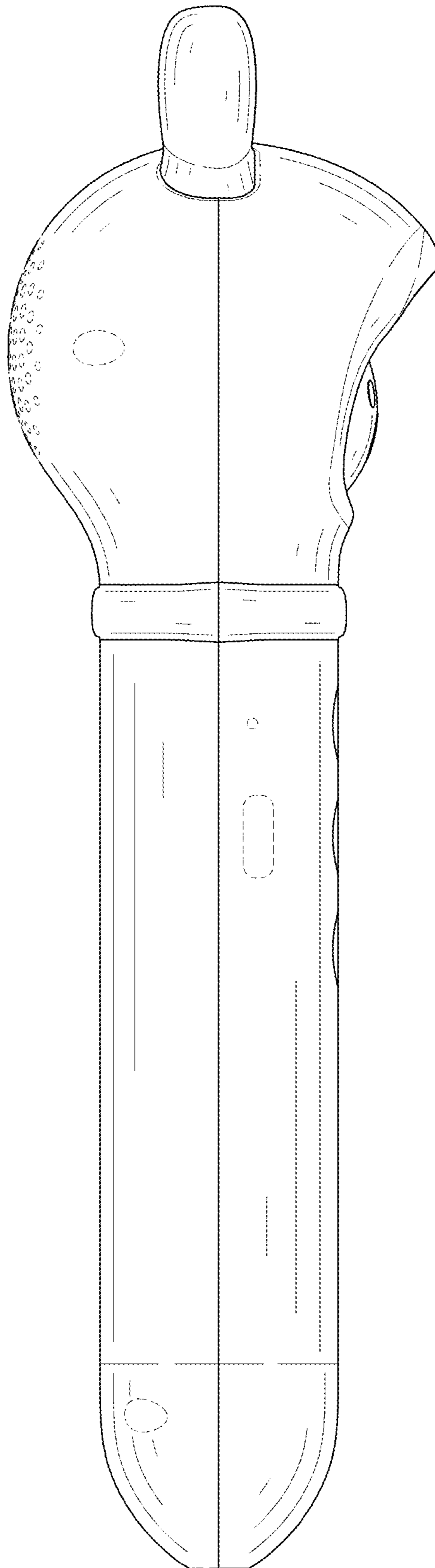


FIG. 5

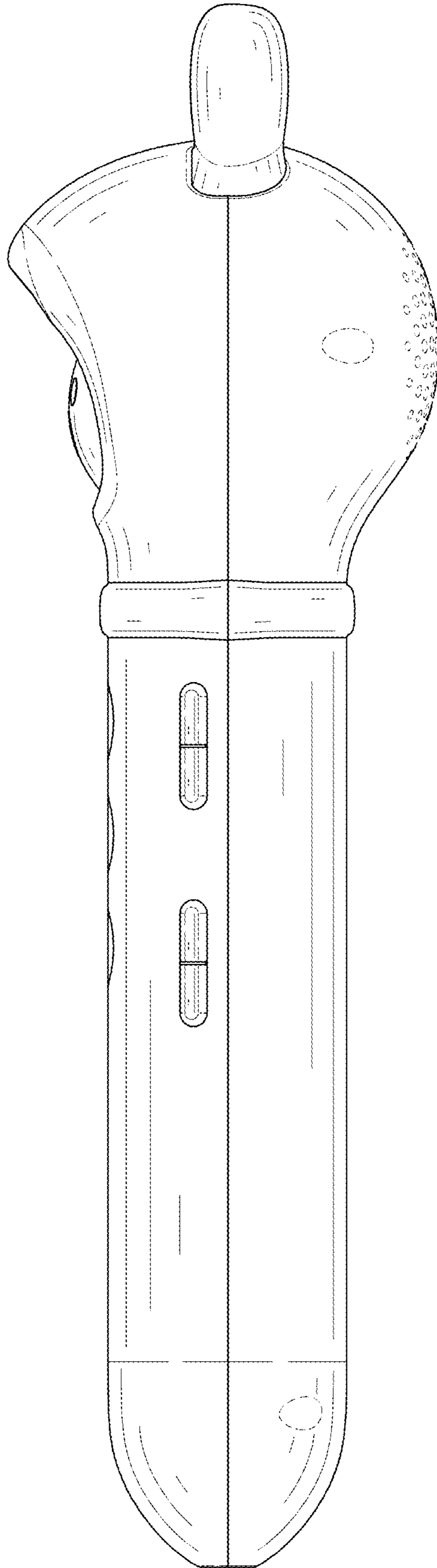


FIG. 6

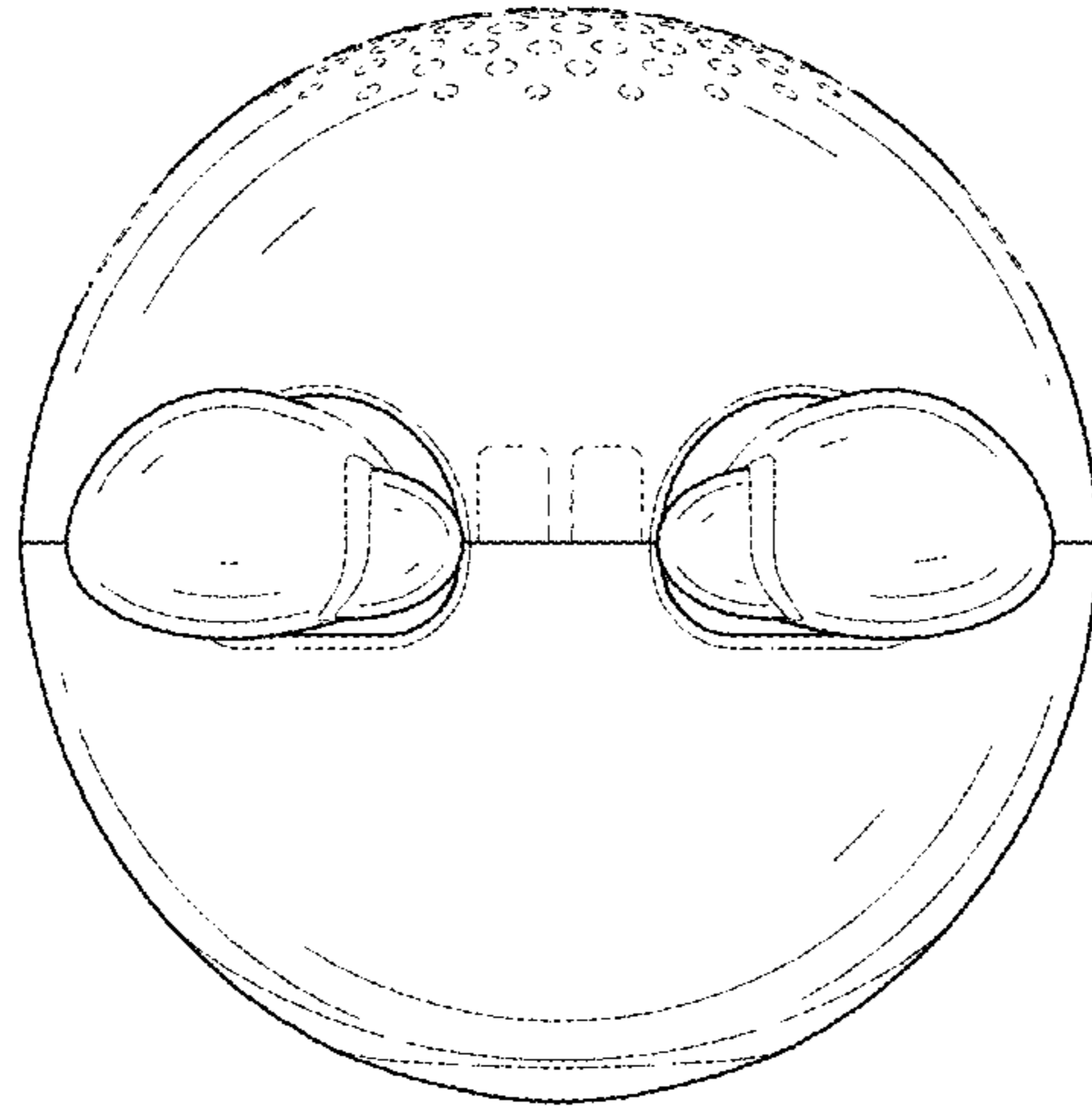


FIG. 7



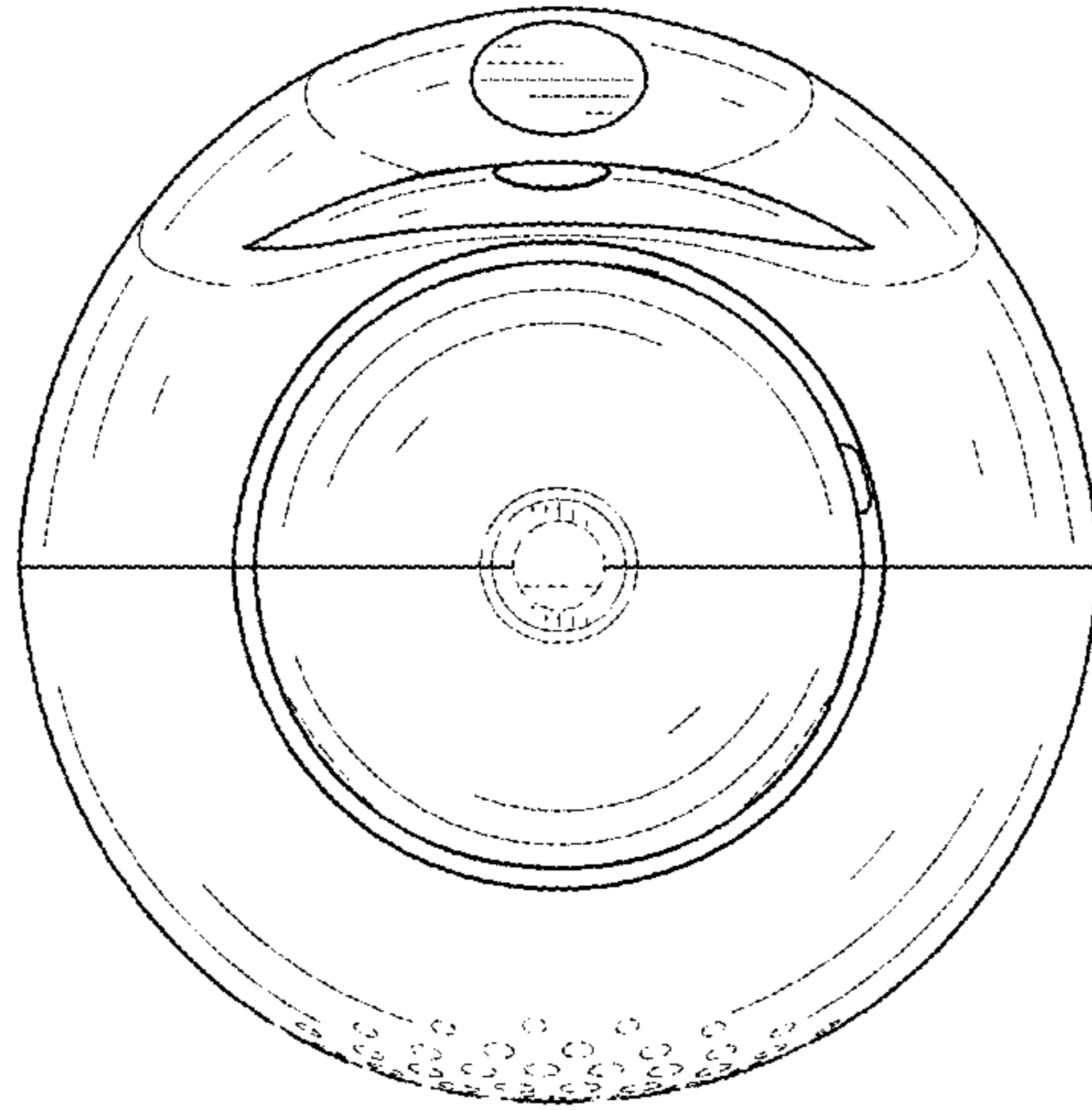


FIG. 8