



US00D962337S

(12) **United States Design Patent** (10) **Patent No.:** **US D962,337 S**
Francke (45) **Date of Patent:** **** Aug. 30, 2022**

(54) **PRINTER**

D806,792 S * 1/2018 Larson D18/55
D813,939 S * 3/2018 Dwyer D18/50
D813,940 S * 3/2018 Dwyer D18/55

(71) Applicant: **Hewlett-Packard Development Company, L.P.**, Spring, TX (US)

(Continued)

(72) Inventor: **Justin Dewey Francke**, San Diego, CA (US)

FOREIGN PATENT DOCUMENTS

JP D1597802 * 3/2018

(73) Assignee: **Hewlett-Packard Development Company, L.P.**, Spring, TX (US)

OTHER PUBLICATIONS

(**) Term: **15 Years**

HP Envy 7640 Wireless All-in-One Photo Printer with Mobile Printing, 2014, p. 14, Amazon.com-29726431 29726433-https://www.amazon.com/HP-Wireless-Printer-Printing-E4W43A/dp/B00N335R9K (Year: 2014).*

(21) Appl. No.: **29/726,433**

(22) Filed: **Mar. 3, 2020**

Primary Examiner — Jennifer L Rempfer
Assistant Examiner — Danielle Nichole Bowly
(74) *Attorney, Agent, or Firm* — Dicke Billig & Czaja PLLC

(51) **LOC (13) Cl.** **14-02**

(52) **U.S. Cl.**
USPC **D18/53**

(58) **Field of Classification Search**

USPC ... D18/4.1, 4.4, 4.6, 34.1, 6, 7, 14, 19, 34.3, D18/34.7, 34.8, 34.9, 36, 37, 38, 39, 46, D18/47, 48, 49, 50, 53, 54, 55, 56, 59; D14/300, 301, 302, 303, 307, 308, 314, D14/321, 365, 445, 446; D6/514, 672
CPC H04N 1/00278; B26D 1/065; B26D 1/45; B41J 15/044; B41J 2/1752; B41J 29/02; B41J 29/08; B41J 17/00; B41J 15/42; B41J 15/12; B41J 11/58; B41J 3/4075; B29C 47/12

See application file for complete search history.

(57) **CLAIM**

The ornamental design for a printer, as shown and described.

DESCRIPTION

FIG. 1 is a top, front perspective view of a printer, showing my new design;
FIG. 2 is a front view thereof;
FIG. 3 is a rear view thereof;
FIG. 4 is a top view thereof;
FIG. 5 is a bottom view thereof;
FIG. 6 is a left-side view thereof;
FIG. 7 is a right-side view thereof;
FIG. 8 is a top view thereof, shown in an alternate position;
FIG. 9 is an enlarged view of the portion '9' in FIG. 1; and,
FIG. 10 is a top, front, right perspective view thereof, shown in an alternate position.

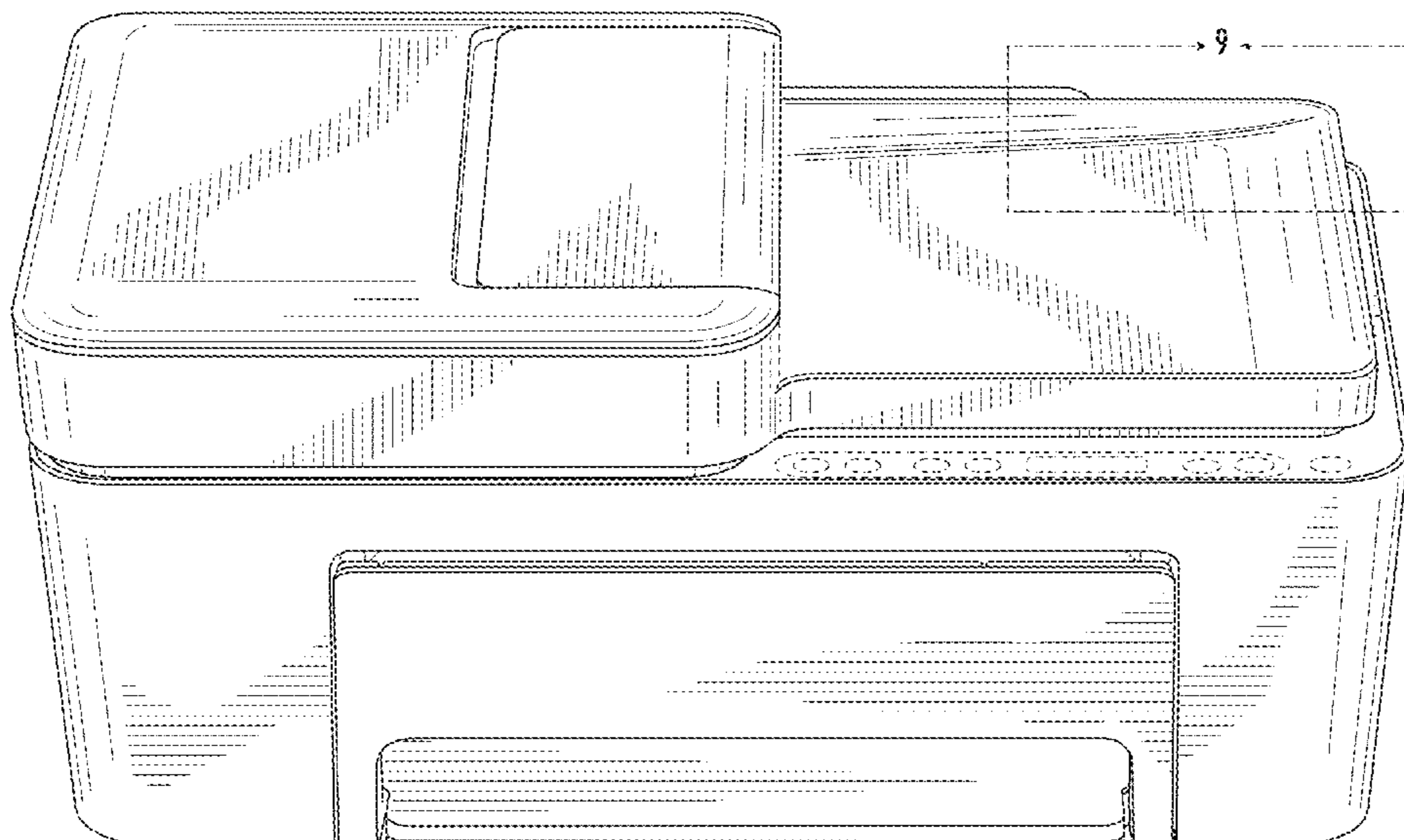
The dot-dash broken lines encircling enlargement portions of the design form no part of the claimed design. The broken lines depicting portions of the printer form no part of the claimed design.

(56) **References Cited**

U.S. PATENT DOCUMENTS

D662,130 S * 6/2012 Kitazawa D18/50
D665,013 S * 8/2012 Ishikawa D18/50
D680,162 S * 4/2013 Goh D18/55
D680,581 S * 4/2013 Nakata D18/50
D783,088 S * 4/2017 Francke D18/56
D785,702 S * 5/2017 Sato D18/56

1 Claim, 10 Drawing Sheets



(56)

References Cited

U.S. PATENT DOCUMENTS

D818,533 S *	5/2018	Su	D18/55
D827,021 S *	8/2018	Asano	D18/50
D832,916 S *	11/2018	Yin	D18/55
D912,134 S *	3/2021	Takeuchi	D18/54

* cited by examiner

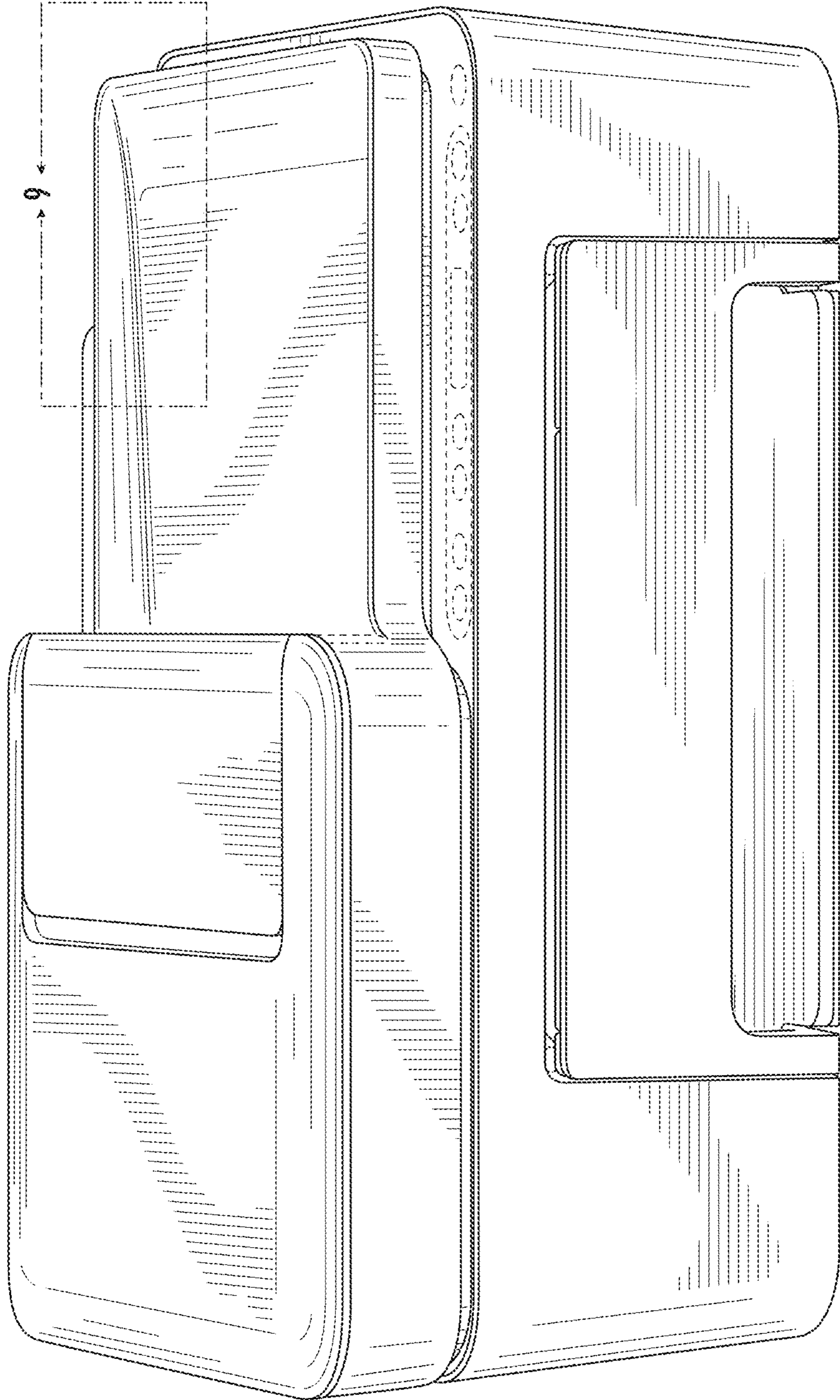


FIG. 1

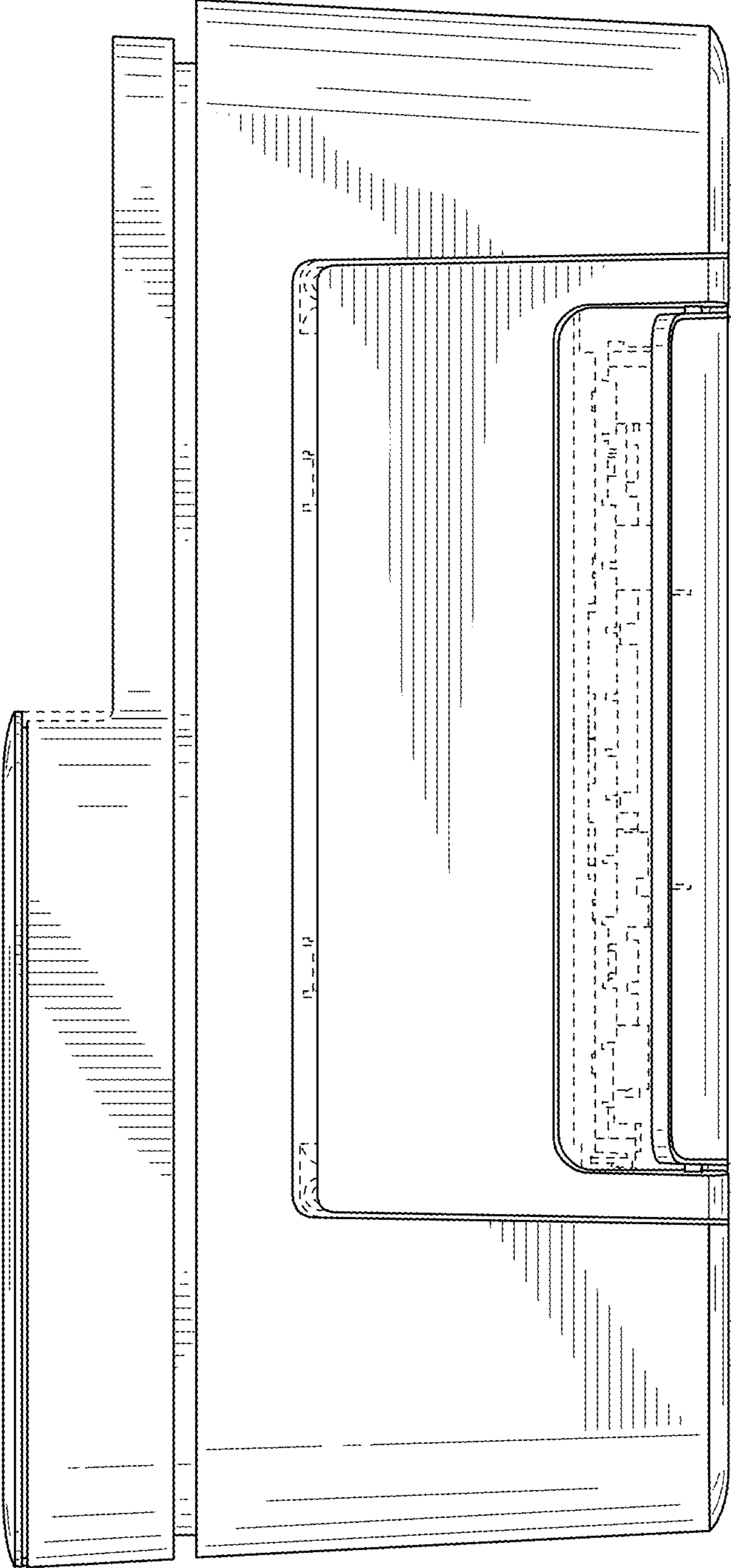


FIG. 2

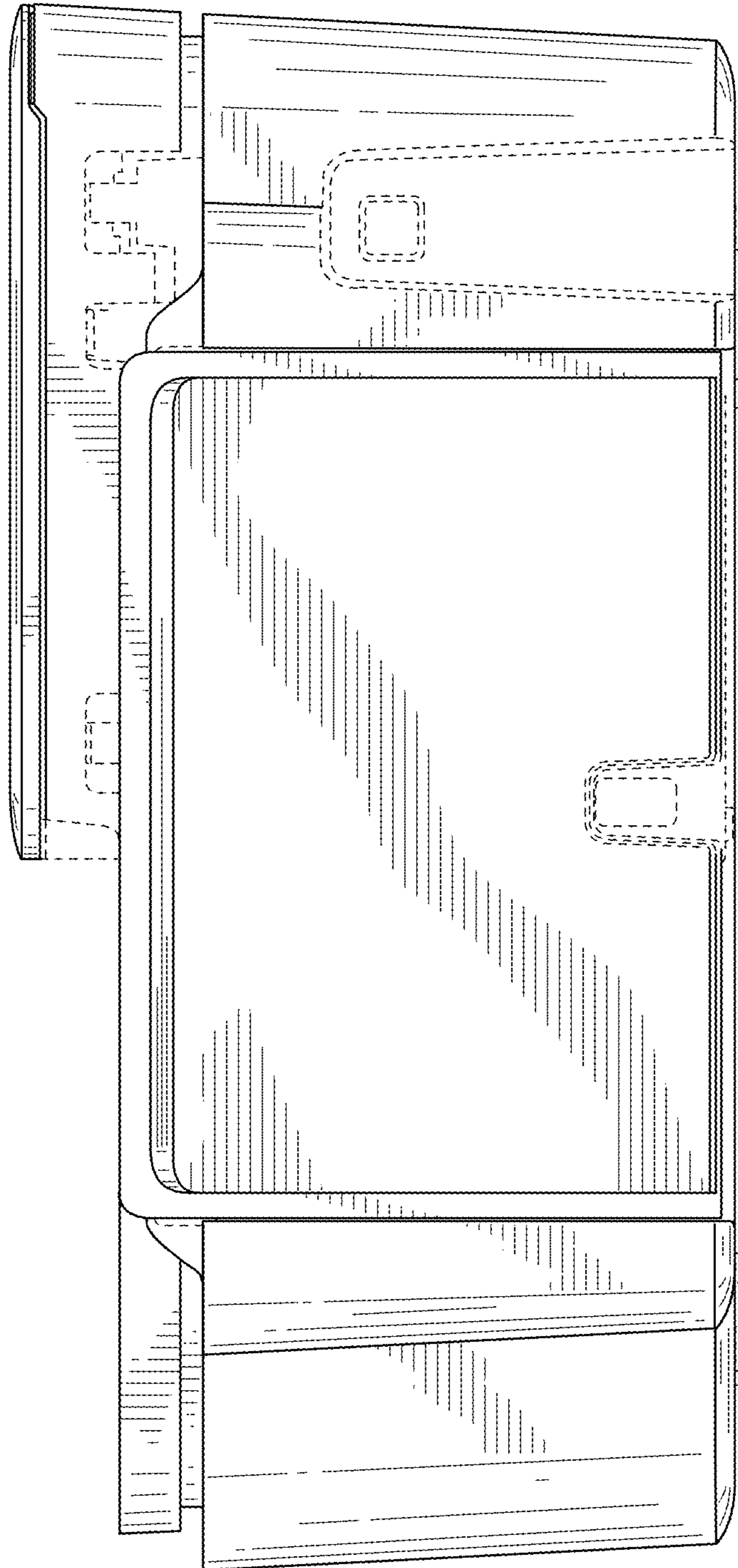


FIG. 3

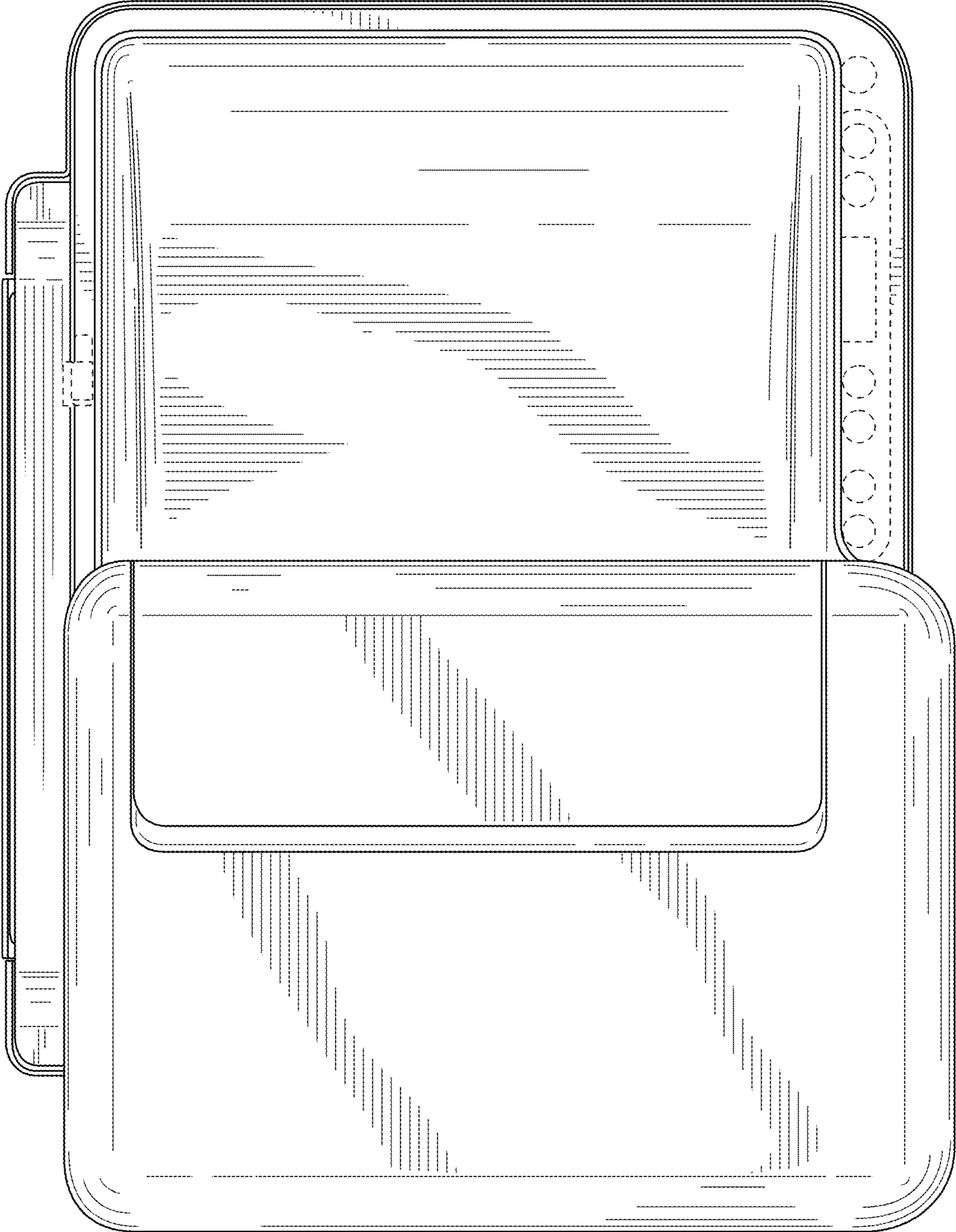


FIG. 4

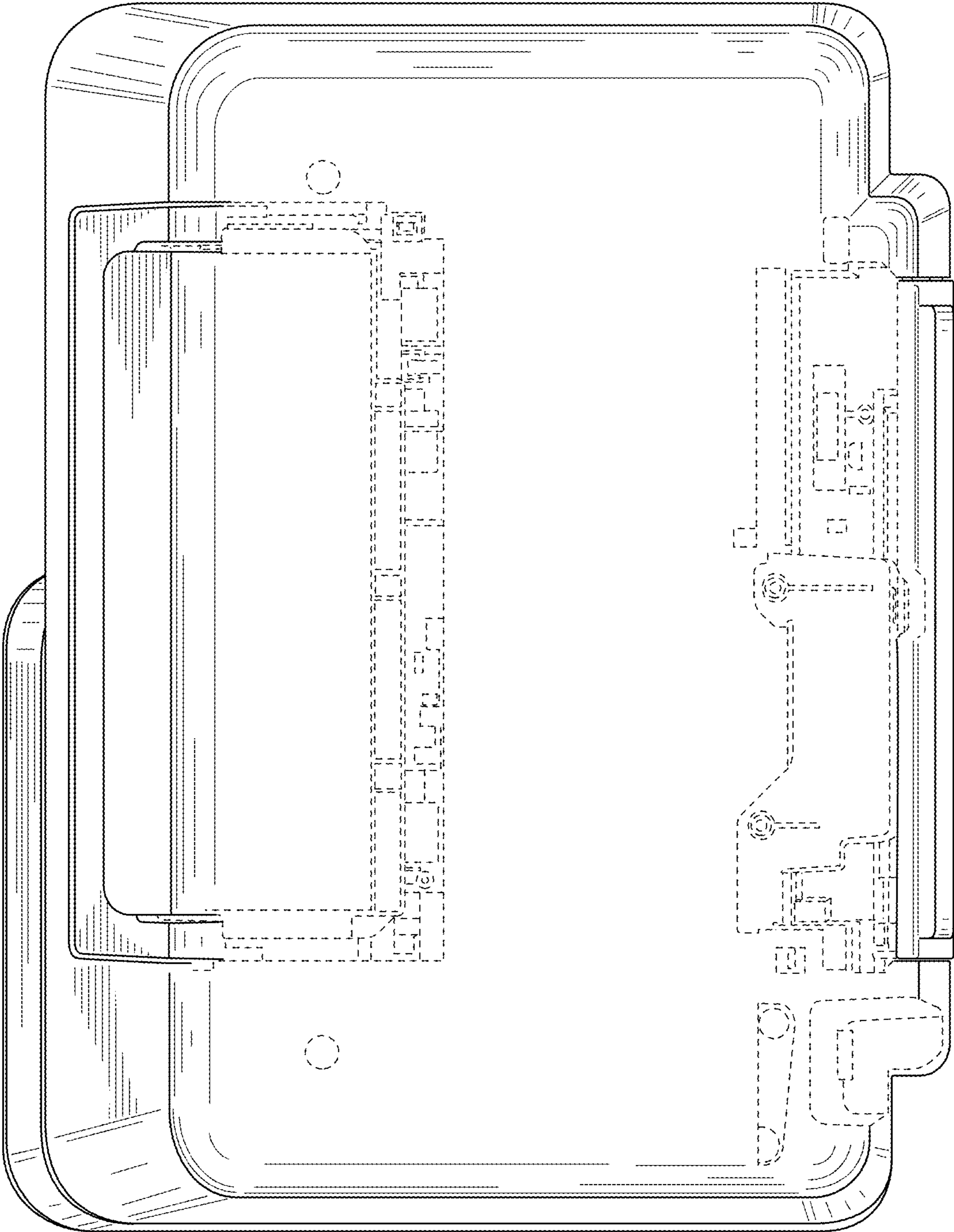


FIG. 5

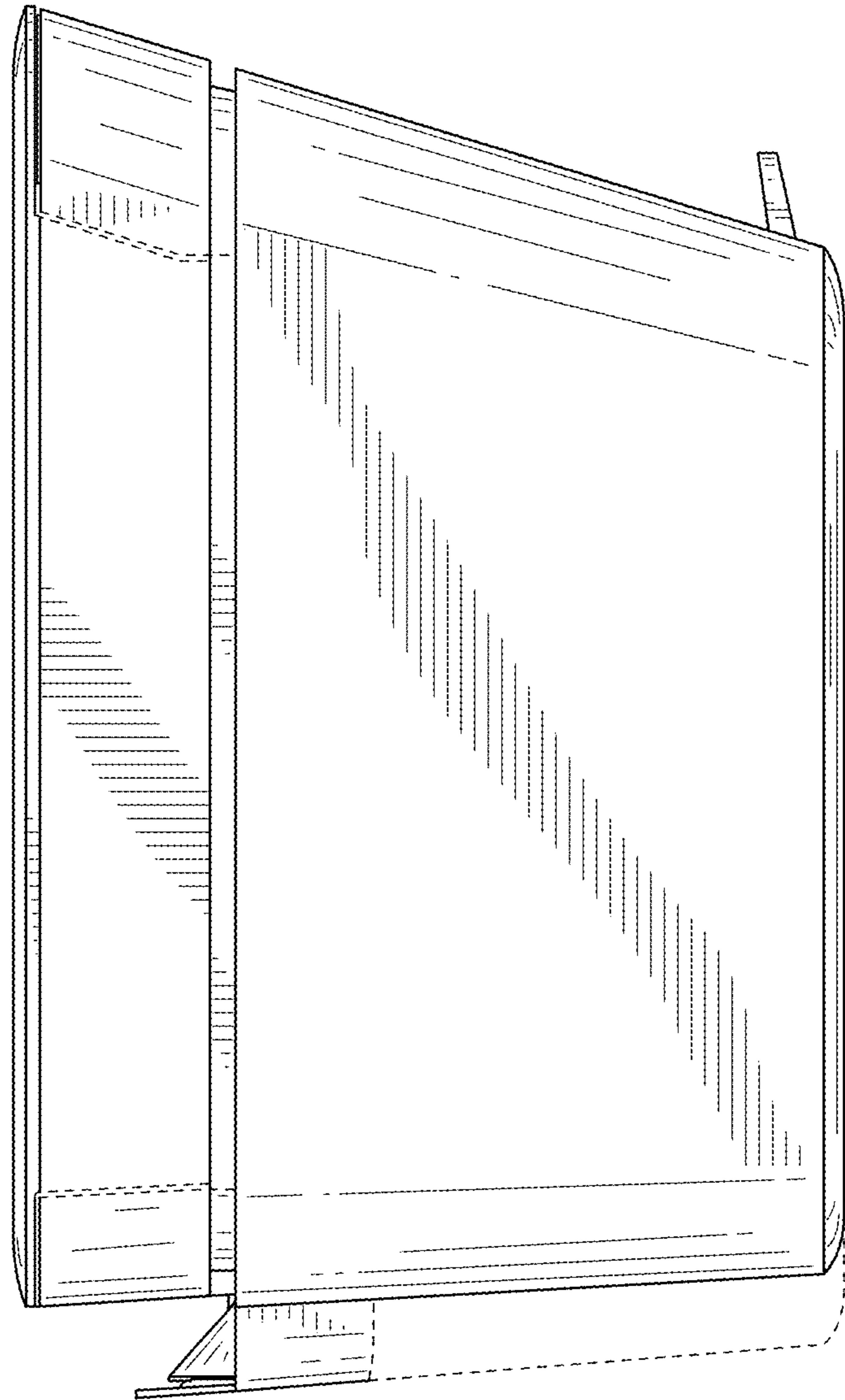


FIG. 6

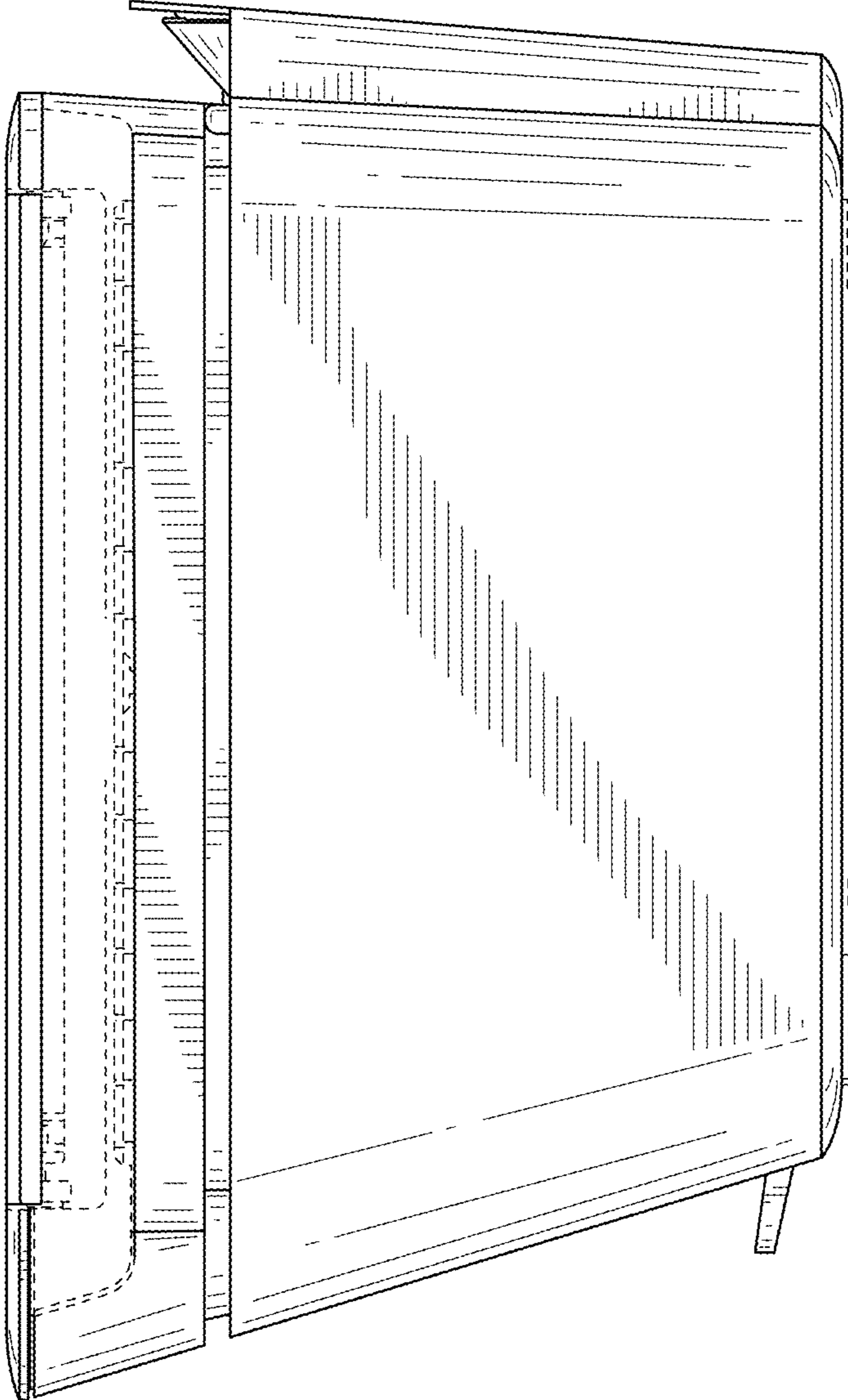


FIG. 7

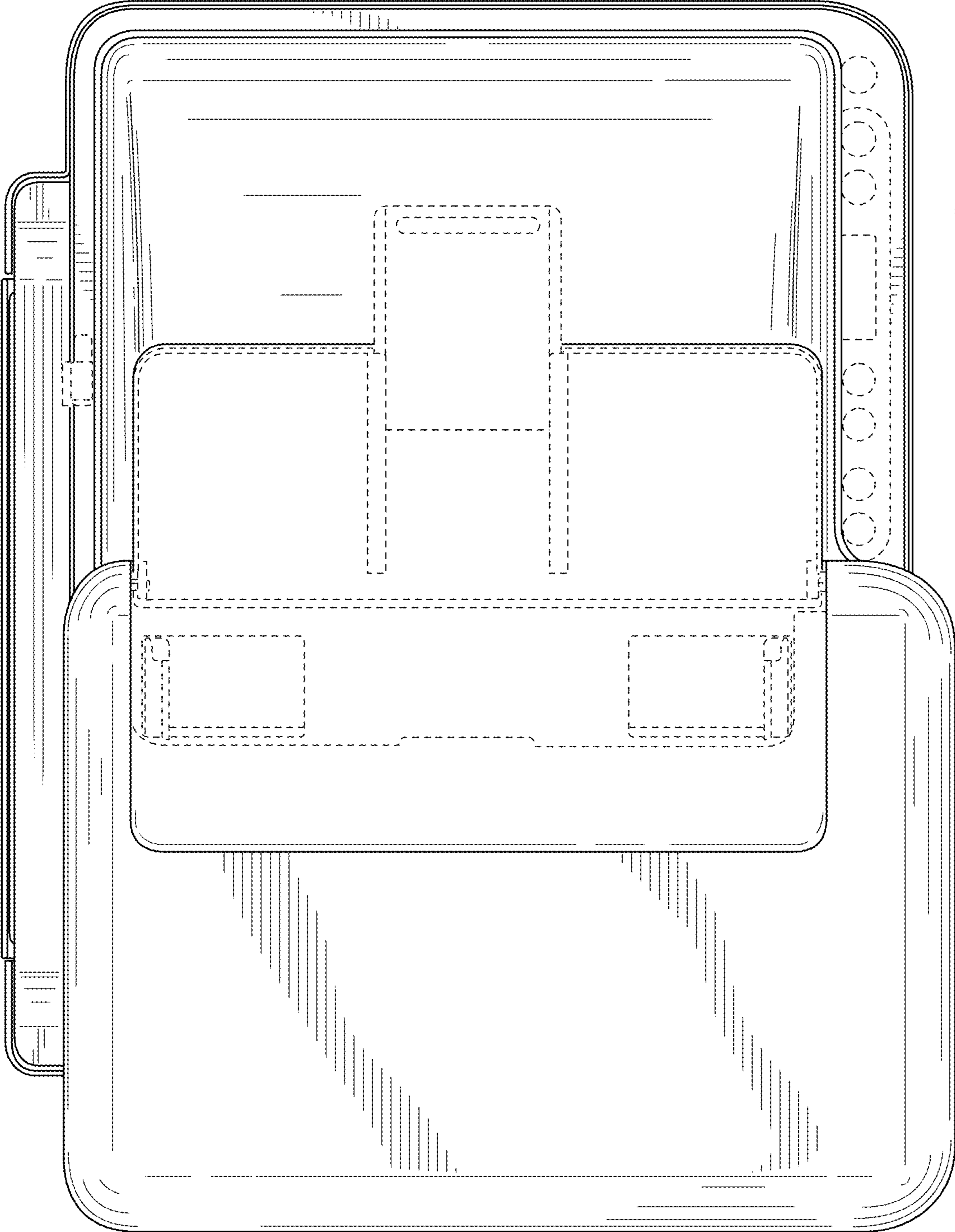


FIG. 8

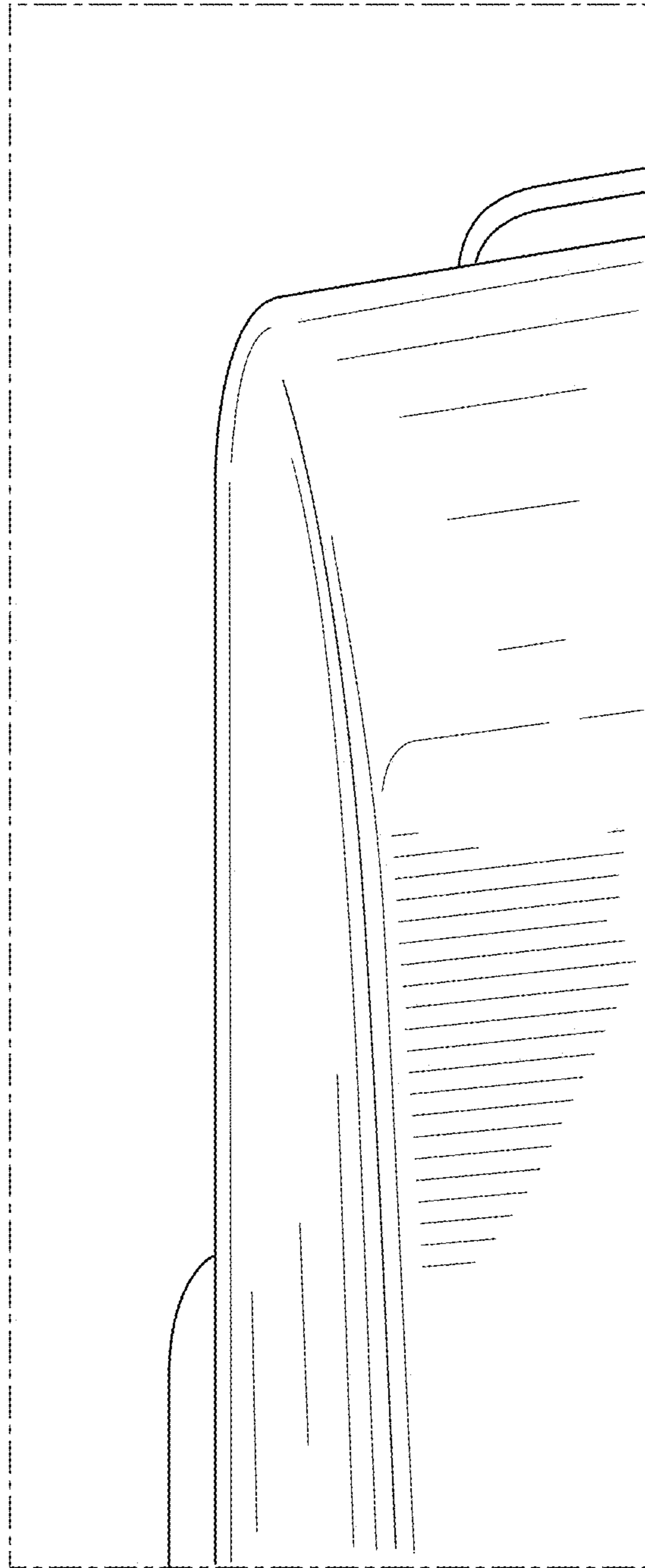


FIG. 9

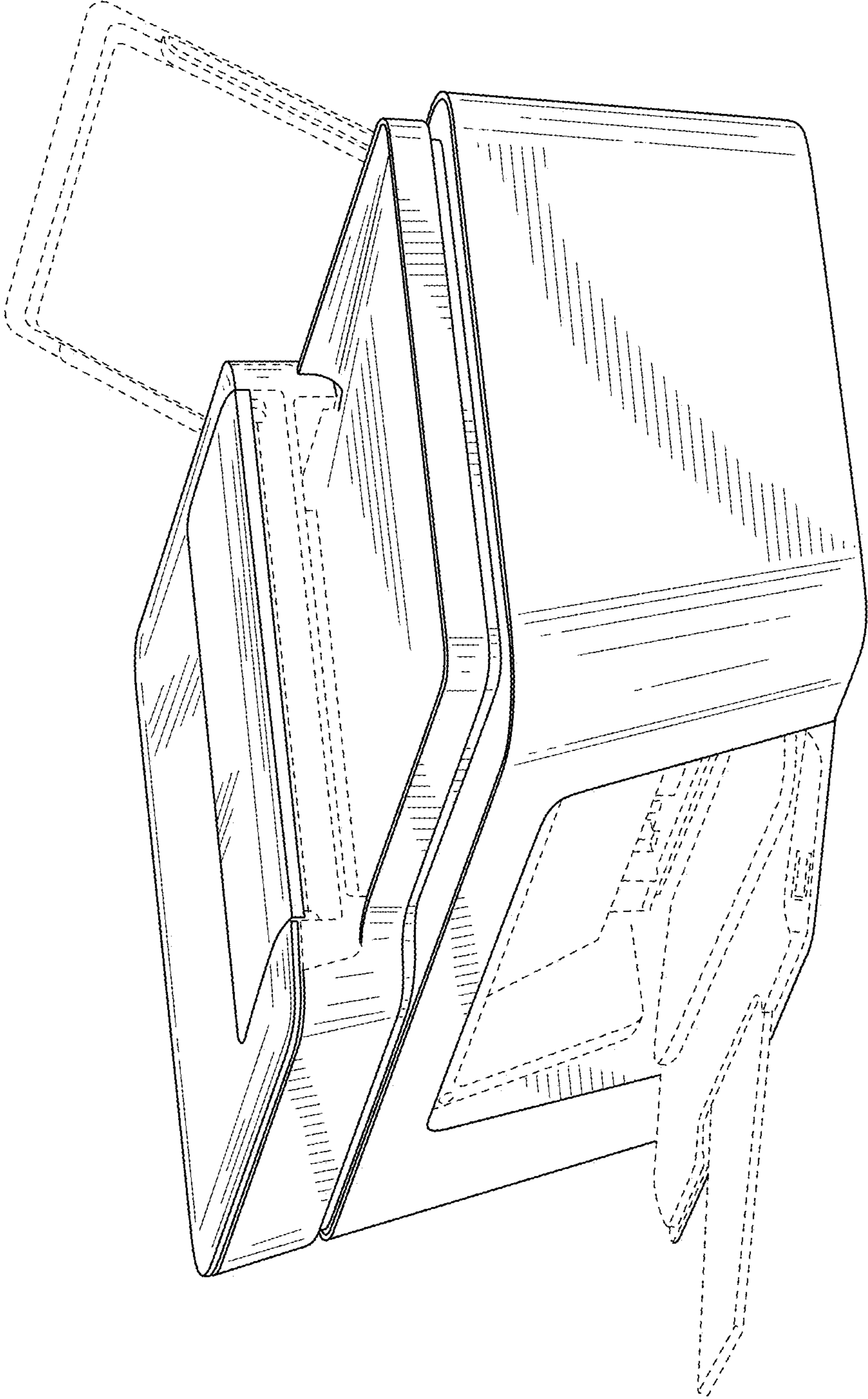


FIG. 10